



US00D580654S

(12) **United States Design Patent**
Miller et al.

(10) **Patent No.:** **US D580,654 S**
(45) **Date of Patent:** **** Nov. 18, 2008**

(54) **TELESCOPIC CONTAINER**

DESCRIPTION

- (75) Inventors: **Mark D Miller**, Airville, PA (US);
David L Wikle, York, PA (US)
- (73) Assignee: **Black & Decker Inc.**, Newark, DE (US)
- (**) Term: **14 Years**
- (21) Appl. No.: **29/283,929**
- (22) Filed: **Aug. 27, 2007**

Related U.S. Application Data

- (63) Continuation of application No. 29/242,772, filed on Nov. 14, 2005, now Pat. No. Des. 550,959.

- (51) **LOC (8) Cl.** **03-01**
- (52) **U.S. Cl.** **D3/294; D3/905**
- (58) **Field of Classification Search** **D3/260,**
D3/273, 294, 298, 905; D9/420, 423-424;
206/349, 372-373; 220/8
See application file for complete search history.

References Cited

U.S. PATENT DOCUMENTS

- 1,252,775 A * 1/1918 Butcher 220/8
(Continued)

Primary Examiner—Philip Hyder
Assistant Examiner—Roselynn Cody
 (74) *Attorney, Agent, or Firm*—Harness, Dickey & Pierce,
 P.L.C.

(57) **CLAIM**

The ornamental design for a telescopic container, as shown and described.

FIG. 1 is a perspective view of the design for a telescopic container according to the present invention in the retracted state;

FIG. 2 is an enlarged front elevational view of the telescopic container shown in FIG. 1, the rear elevational view being a mirror image of the front elevational view;

FIG. 3 is an enlarged left side elevational view of the telescopic container shown in FIG. 1;

FIG. 4 is an enlarged right side elevational view of the telescopic container of FIG. 1;

FIG. 5 is an enlarged top plan view of the telescopic container shown in FIG. 1;

FIG. 6 is an enlarged bottom plan view of the telescopic container shown in FIG. 1;

FIG. 7 is a perspective view of the design for a telescopic container according to the present invention in the extended position;

FIG. 8 is an enlarged front elevational view of the telescopic container shown in FIG. 7, the rear elevational view being a mirror image of the front elevational view;

FIG. 9 is an enlarged left side elevational view of the telescopic container shown in FIG. 7;

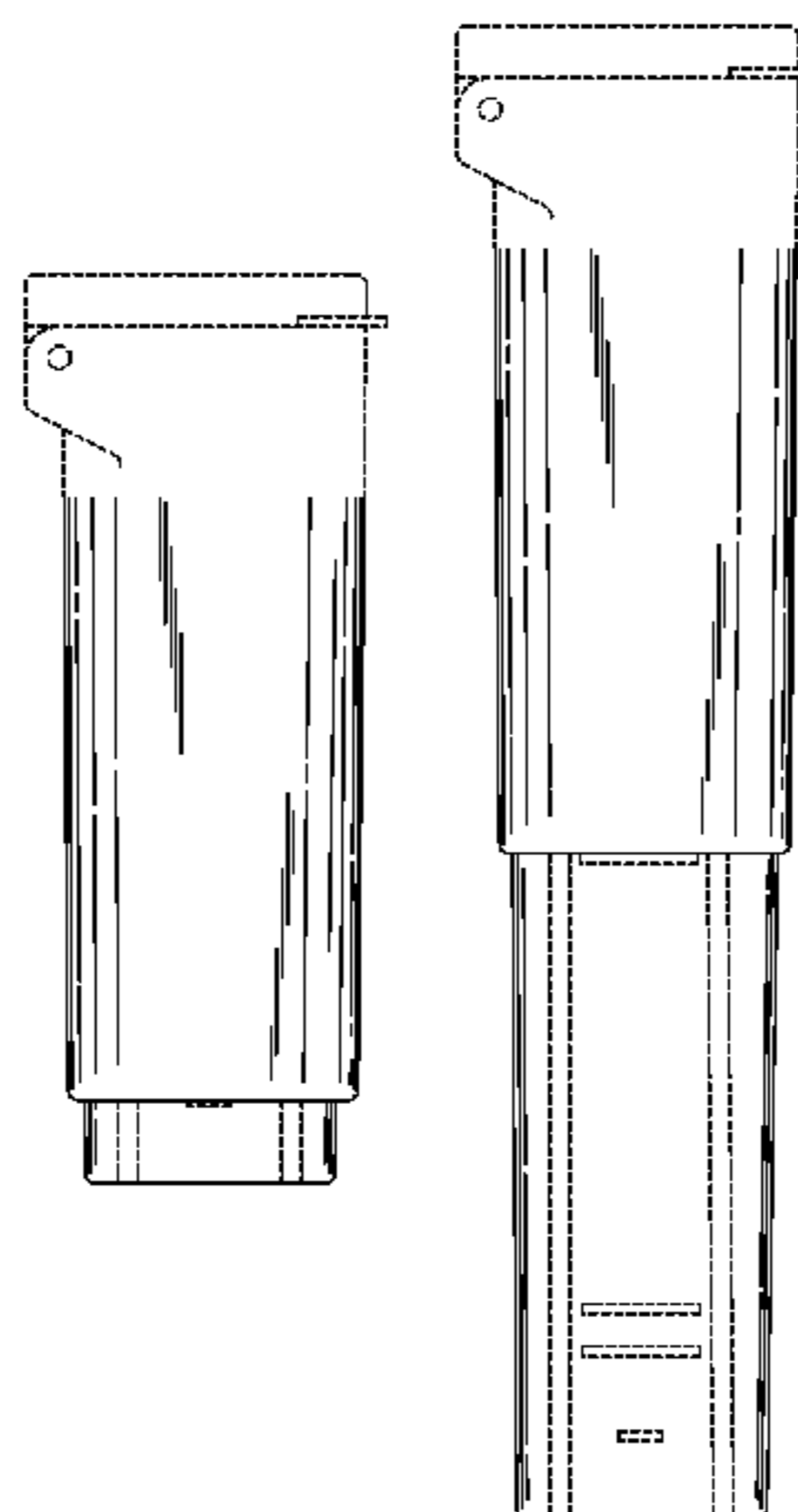
FIG. 10 is an enlarged right side elevational view of the telescopic container shown in FIG. 7;

FIG. 11 is an enlarged top plan view of the telescopic container shown in FIG. 7; and,

FIG. 12 is an enlarged bottom plan view of the telescopic container shown in FIG. 7.

The broken lines showing the raised projections on the surface of the telescopic container, as well as the broken lines disclaiming the upper portion and lid of the container, are for illustrative purposes only and form no part of the claimed design.

1 Claim, 3 Drawing Sheets



US D580,654 S

Page 2

U.S. PATENT DOCUMENTS

1,344,716 A *	6/1920	Powell	220/8	D463,909 S *	10/2002	Carter	D3/279
D317,985 S *	7/1991	Alm	D3/297	D466,012 S *	11/2002	Baker	D9/420
D322,350 S *	12/1991	Craft et al.	D34/9	D470,765 S *	2/2003	Baker	D9/420
D330,674 S *	11/1992	Lyon	D9/420	D476,874 S *	7/2003	Kim	D8/81
5,605,242 A *	2/1997	Hwang	220/8	D483,944 S *	12/2003	Conner	D3/265
D390,459 S *	2/1998	King	D7/629	D500,641 S *	1/2005	Wolf et al.	D7/629
D401,028 S *	11/1998	Ahern et al.	D34/9	D503,037 S *	3/2005	Terronez et al.	D3/215
D432,784 S *	10/2000	Conway	D3/203.5	D509,732 S *	9/2005	Staples	D9/423
D436,434 S *	1/2001	Conway	D3/203.5	D540,493 S *	4/2007	Fick	D30/133
D436,725 S *	1/2001	Rogers	D3/265	D541,046 S *	4/2007	Roesler	D3/293
D438,003 S *	2/2001	Minagawa et al.	D3/273	2003/0222082 A1 *	12/2003	Sanderson	220/8
D453,071 S *	1/2002	Chen	D3/265	2007/0108076 A1 *	5/2007	Miller et al.	206/373
D455,261 S *	4/2002	Browne	D3/265					

* cited by examiner



FIG 1



FIG 5

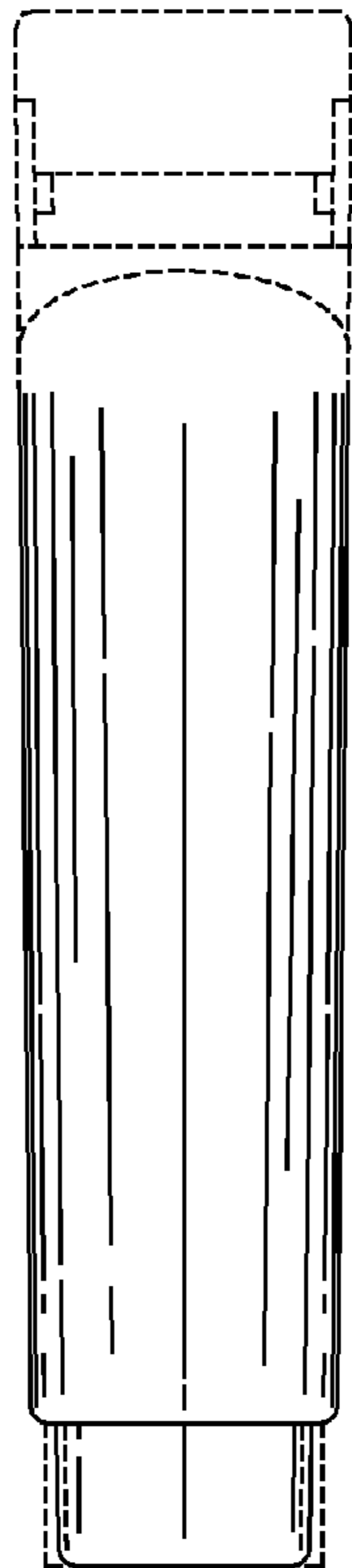


FIG 3

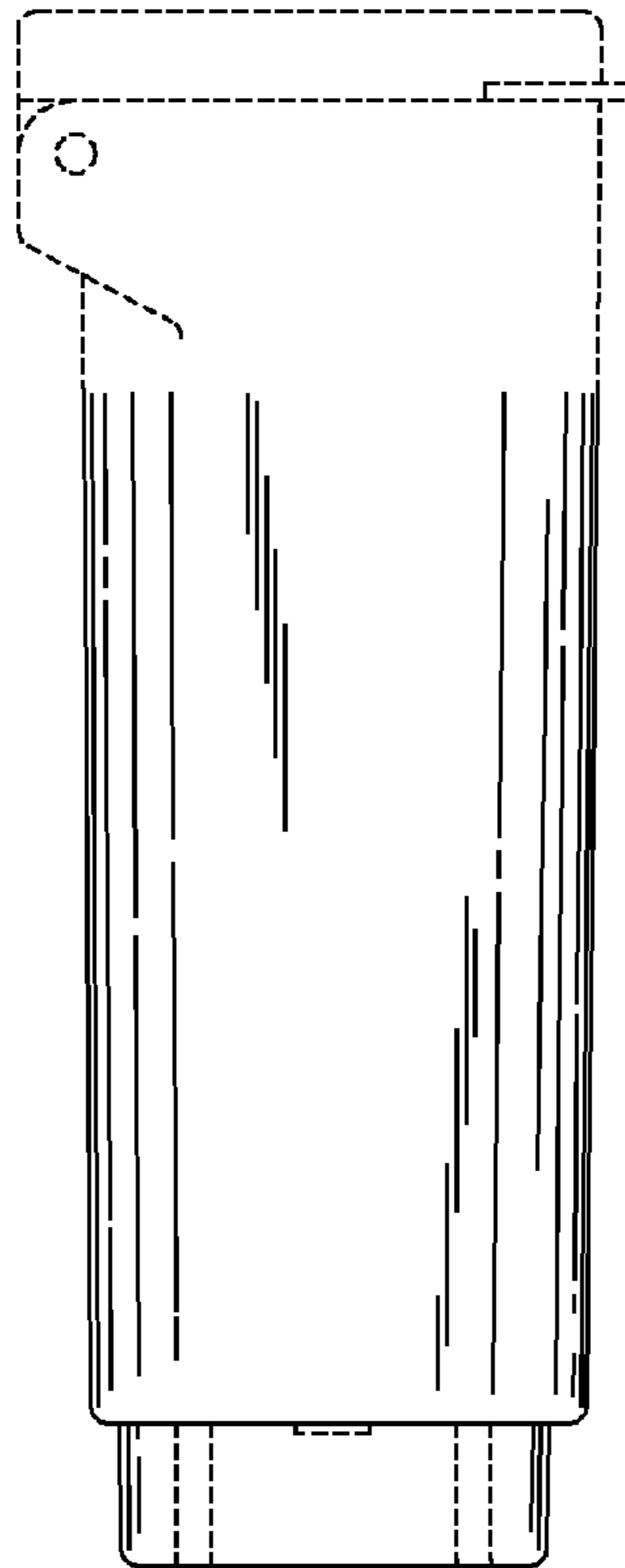


FIG 2

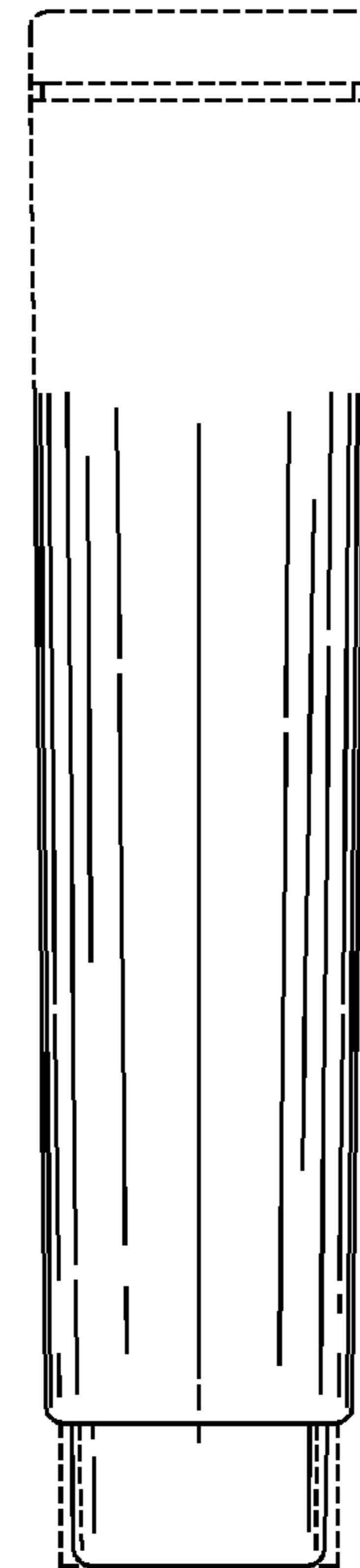


FIG 4

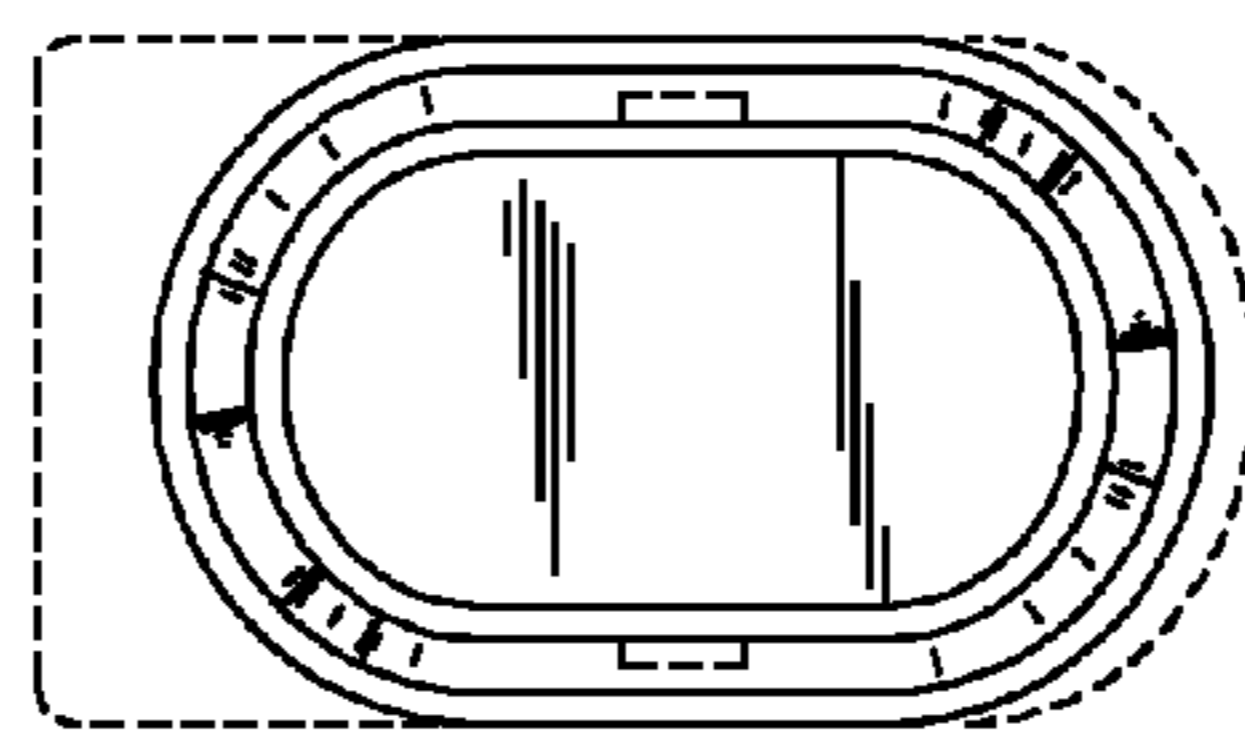


FIG 6

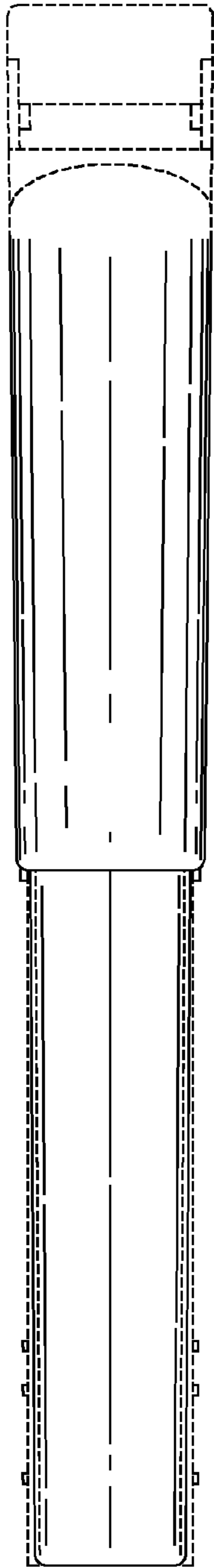


FIG 9

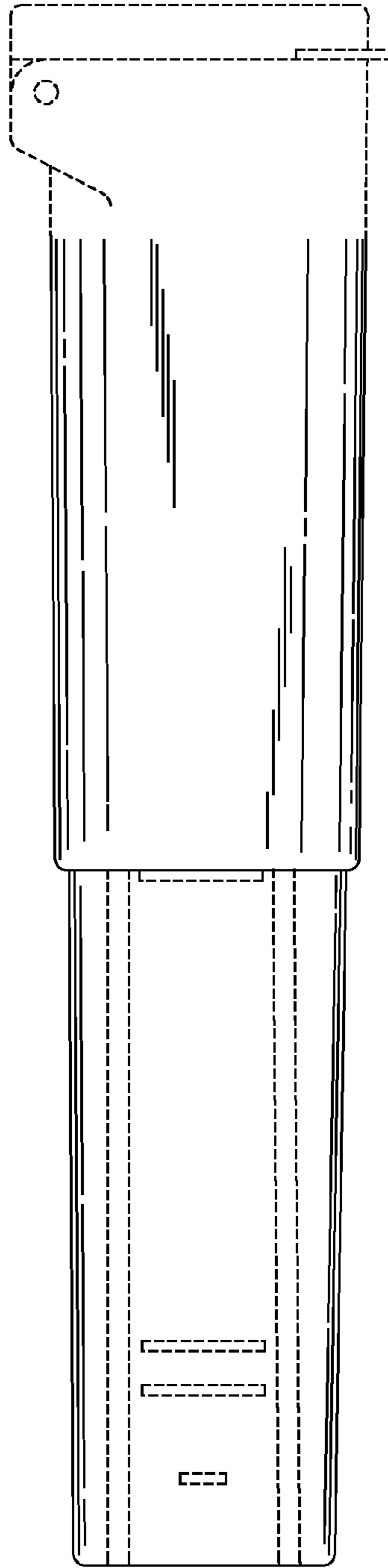


FIG 8

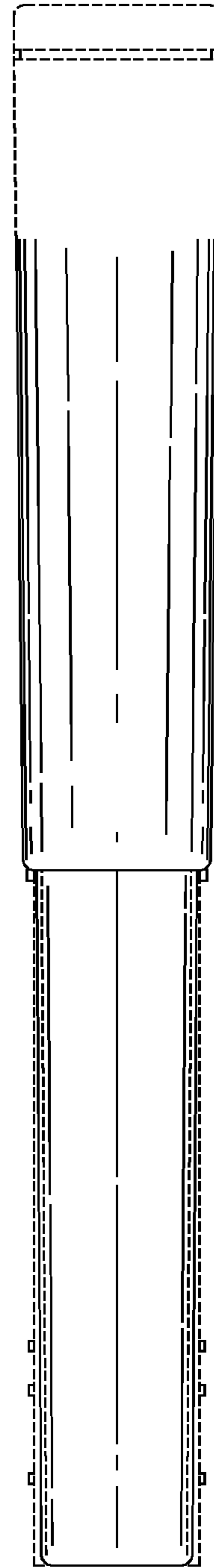


FIG 10

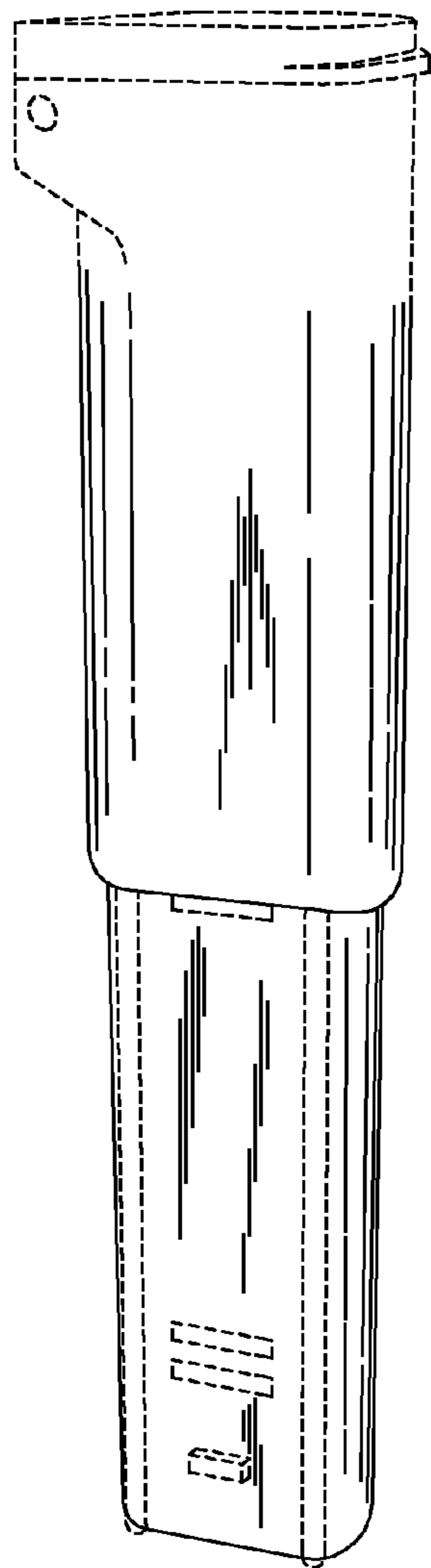


FIG 7



FIG 11

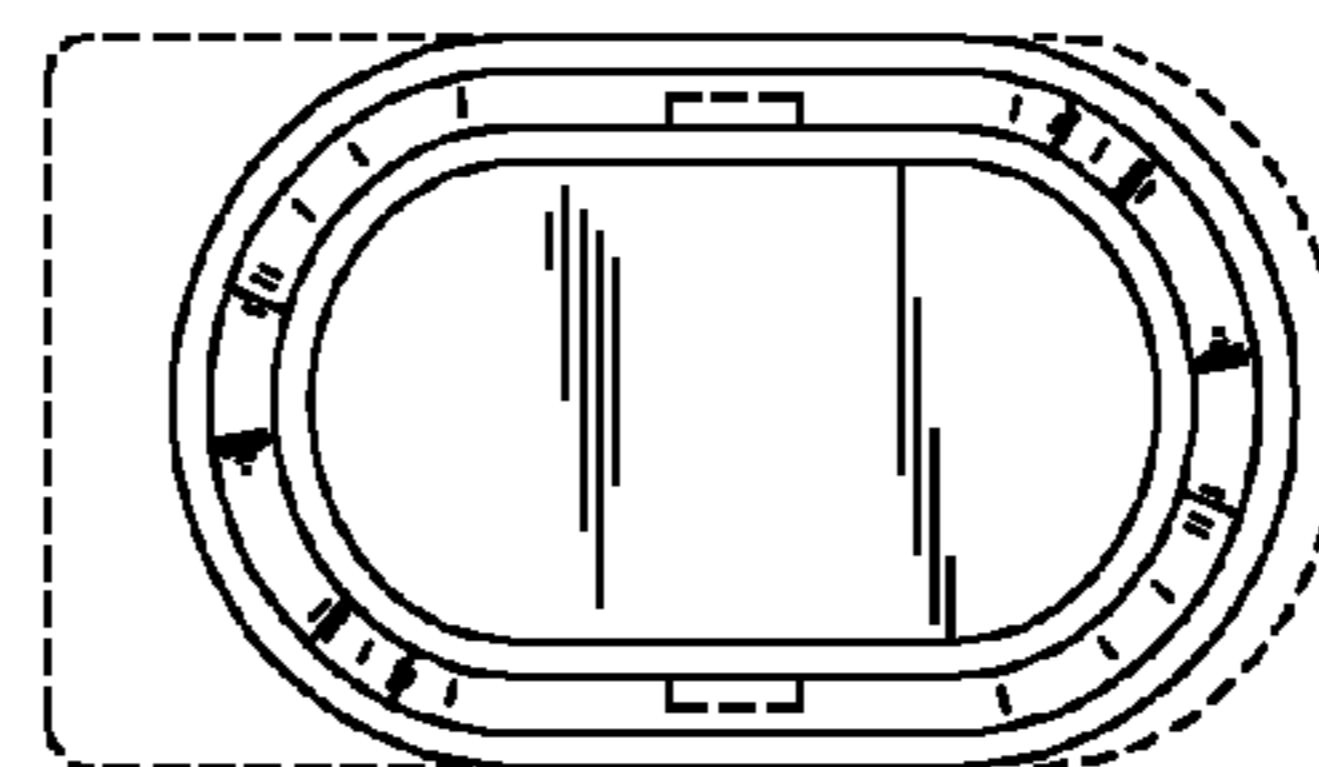


FIG 12