



US00D580653S

(12) **United States Design Patent**
Robaina

(10) **Patent No.:** **US D580,653 S**

(45) **Date of Patent:** **** Nov. 18, 2008**

(54) **TRANSPORTABLE STORAGE BOX**

(76) **Inventor:** **Pedro Cosme Robaina**, 14962 SW. 65
Ter., Miami, FL (US) 33193

(**) **Term:** **14 Years**

(21) **Appl. No.:** **29/278,139**

(22) **Filed:** **Mar. 20, 2007**

(51) **LOC (8) Cl.** **03-01**

(52) **U.S. Cl.** **D3/272; D6/432**

(58) **Field of Classification Search** D3/272-274,
D3/276, 288, 291, 294-295; D6/432, 436,
D6/440, 445-446, 448, 559-560; D99/28;
D13/288; 206/349, 372, 373; 312/219, 237,
312/249.9, 249.11, 257.1, 295, 328, 902
See application file for complete search history.

(56) **References Cited**

U.S. PATENT DOCUMENTS

D87,772	S	*	9/1932	Wolters	D99/28
D120,336	S	*	5/1940	Bescherer	D99/28
D213,156	S	*	1/1969	Detange	D3/272
3,595,426	A	*	7/1971	Conrad	220/255
D240,404	S	*	7/1976	Singer	D3/272
D285,743	S	*	9/1986	Richwine	D6/561
D336,158	S	*	6/1993	Bunger	D3/201
D370,780	S	*	6/1996	Bunger	D3/272
5,749,234	A	*	5/1998	Takano	62/125
D457,754	S	*	5/2002	Fiscus et al.	D6/466
D460,259	S	*	7/2002	Oelfke	D3/284
6,681,604	B1	*	1/2004	Samsel	70/78
6,789,859	B1	*	9/2004	Ho	312/257.1

D505,261	S	*	5/2005	Richardson et al.	D3/273
D507,914	S	*	8/2005	Schmidt et al.	D6/510
7,001,001	B1	*	2/2006	Spencer	312/219
D536,154	S	*	1/2007	Hawes	D34/38
D546,023	S	*	7/2007	Hawes	D34/38
2004/0194517	A1	*	10/2004	Samsel	70/78
2005/0077805	A1	*	4/2005	Dalebout et al.	312/249.11
2007/0068835	A1	*	3/2007	Buie	206/373

* cited by examiner

Primary Examiner—Philip Hyder

Assistant Examiner—RoseLynne Cody

(74) *Attorney, Agent, or Firm*—Albert Bordas, P.A.

(57) **CLAIM**

The ornamental design for a transportable storage box, as shown and described.

DESCRIPTION

FIG. 1 is top plan elevational view of a transportable storage box illustrating a new design;

FIG. 2 is a front elevational view thereof;

FIG. 3 is a bottom view thereof;

FIG. 4 is a left elevational view thereof, the right elevational view being a mirror image thereof;

FIG. 5 is rear elevational view thereof; and,

FIG. 6 is an isometric view thereof when the transportable storage box is opened to store matter.

The broken lines are for environmental purposes only and form no part of the claimed design.

1 Claim, 3 Drawing Sheets

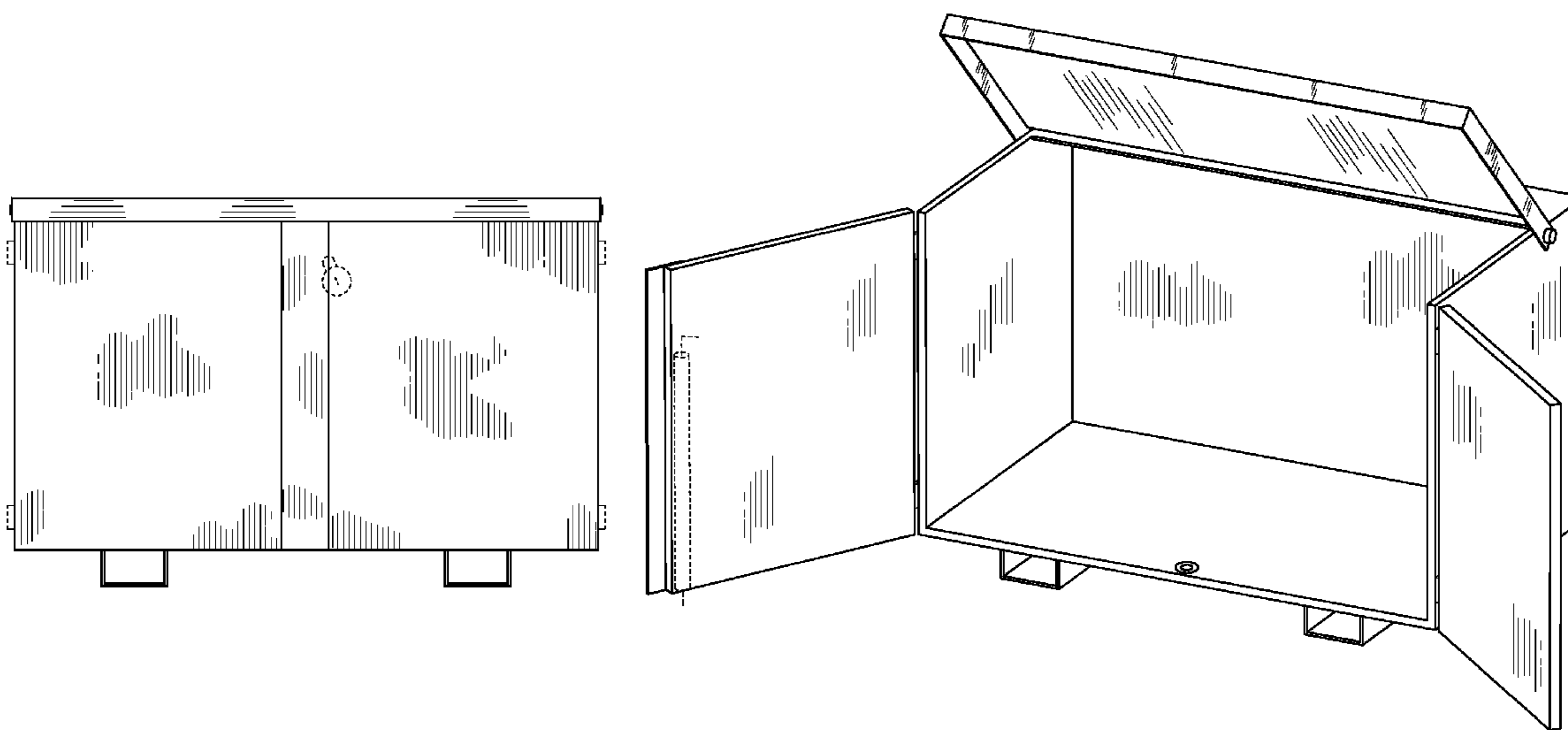


Fig. 1

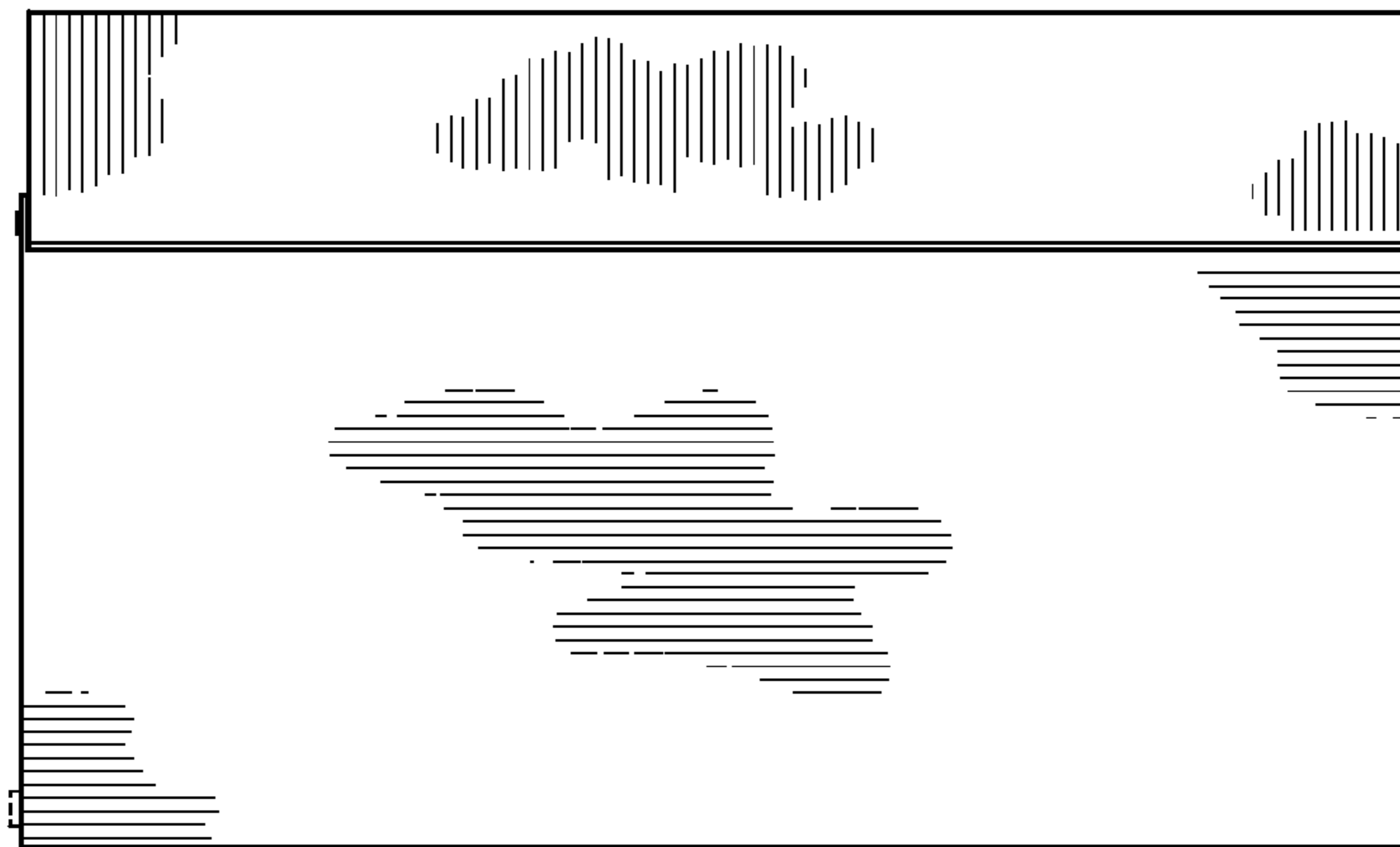


Fig. 2

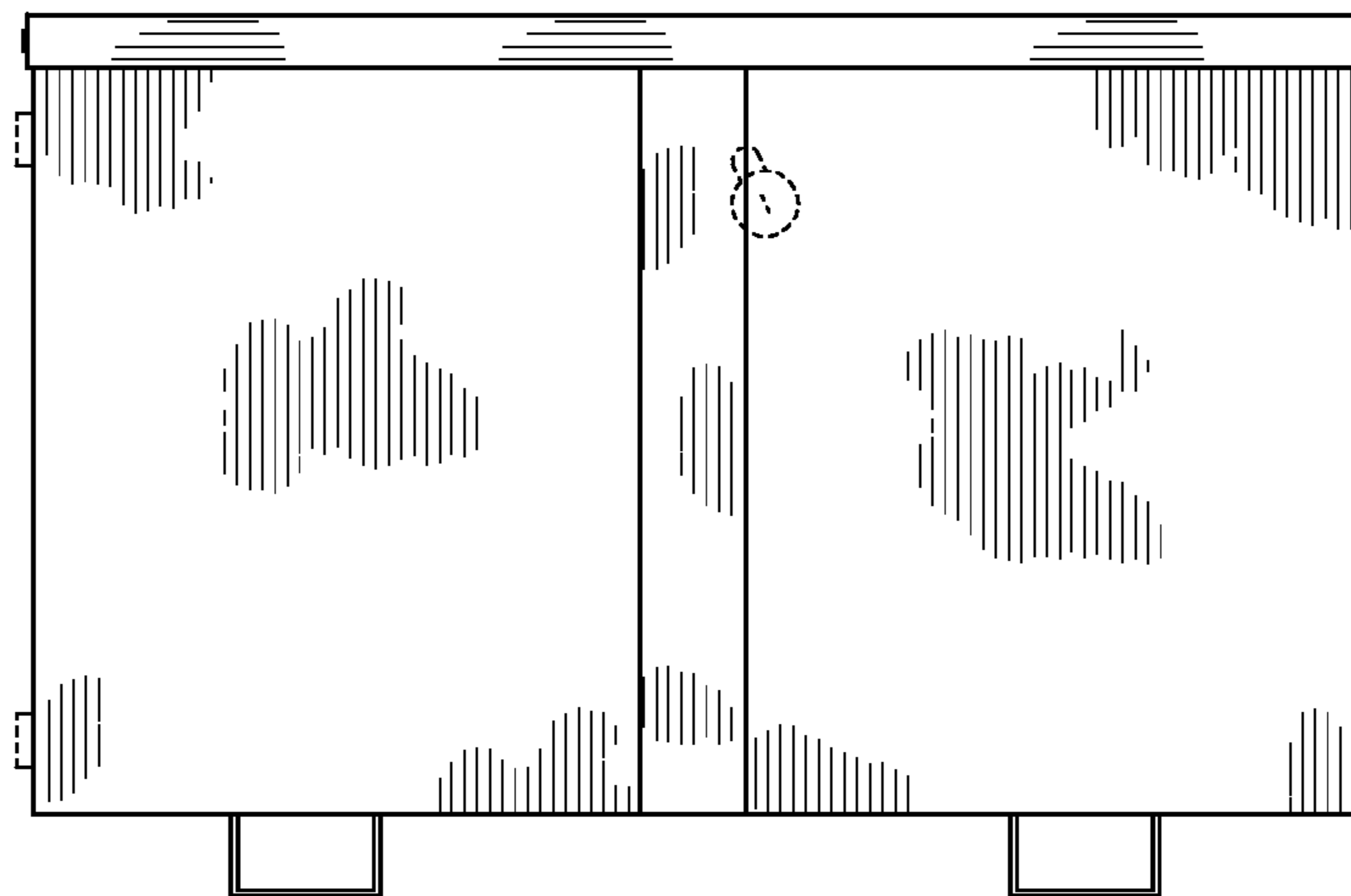


Fig. 3

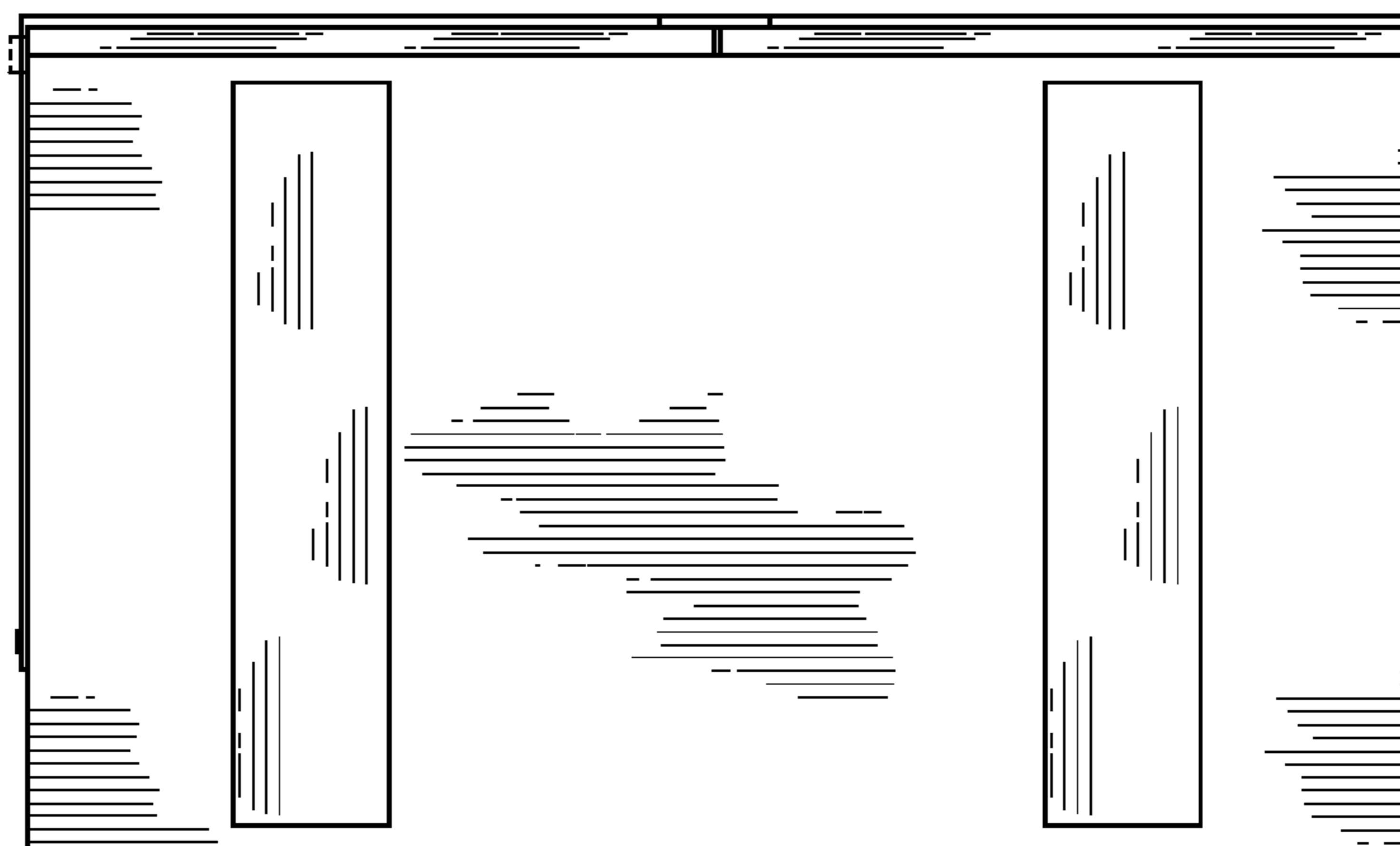


Fig. 4

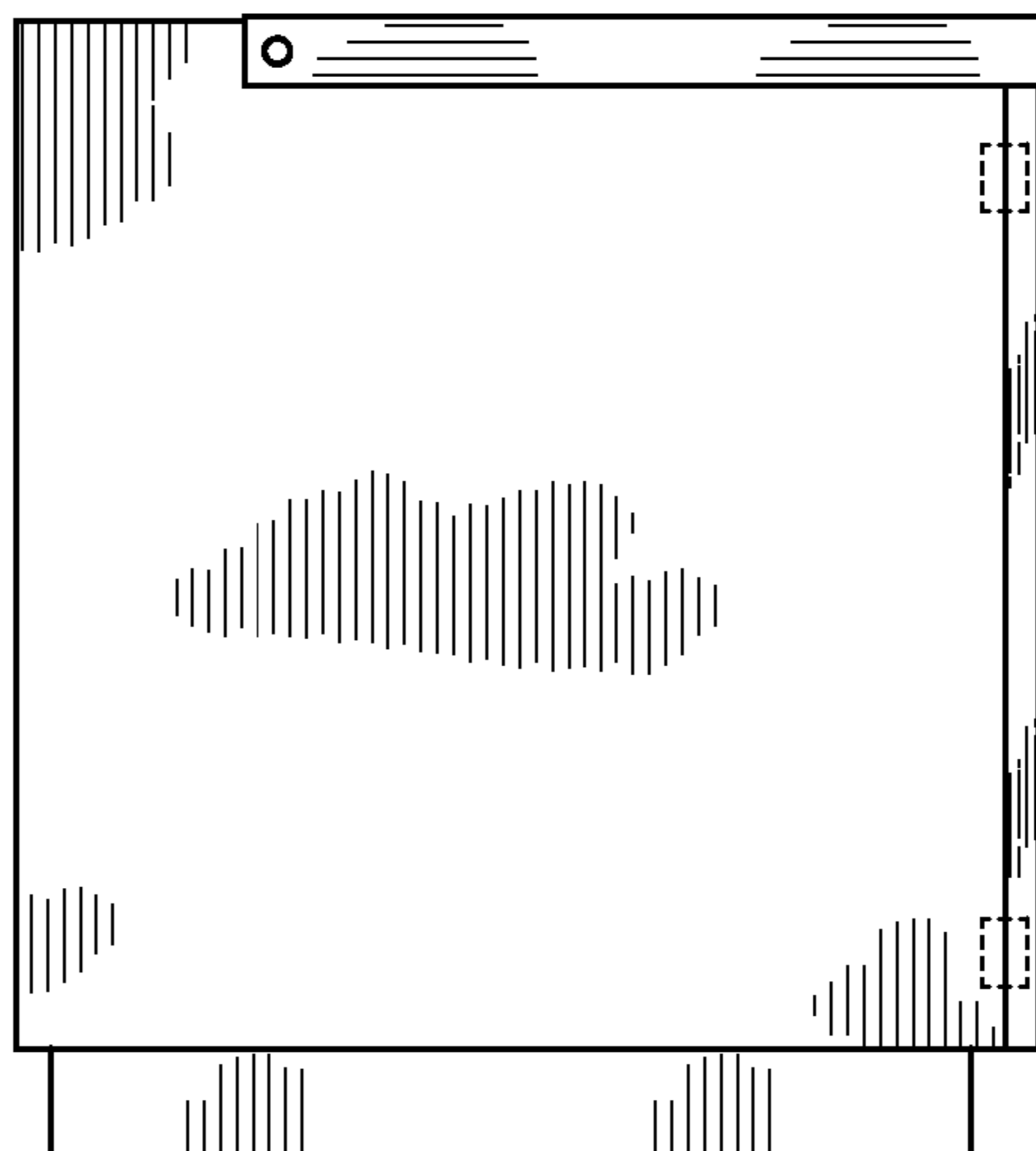
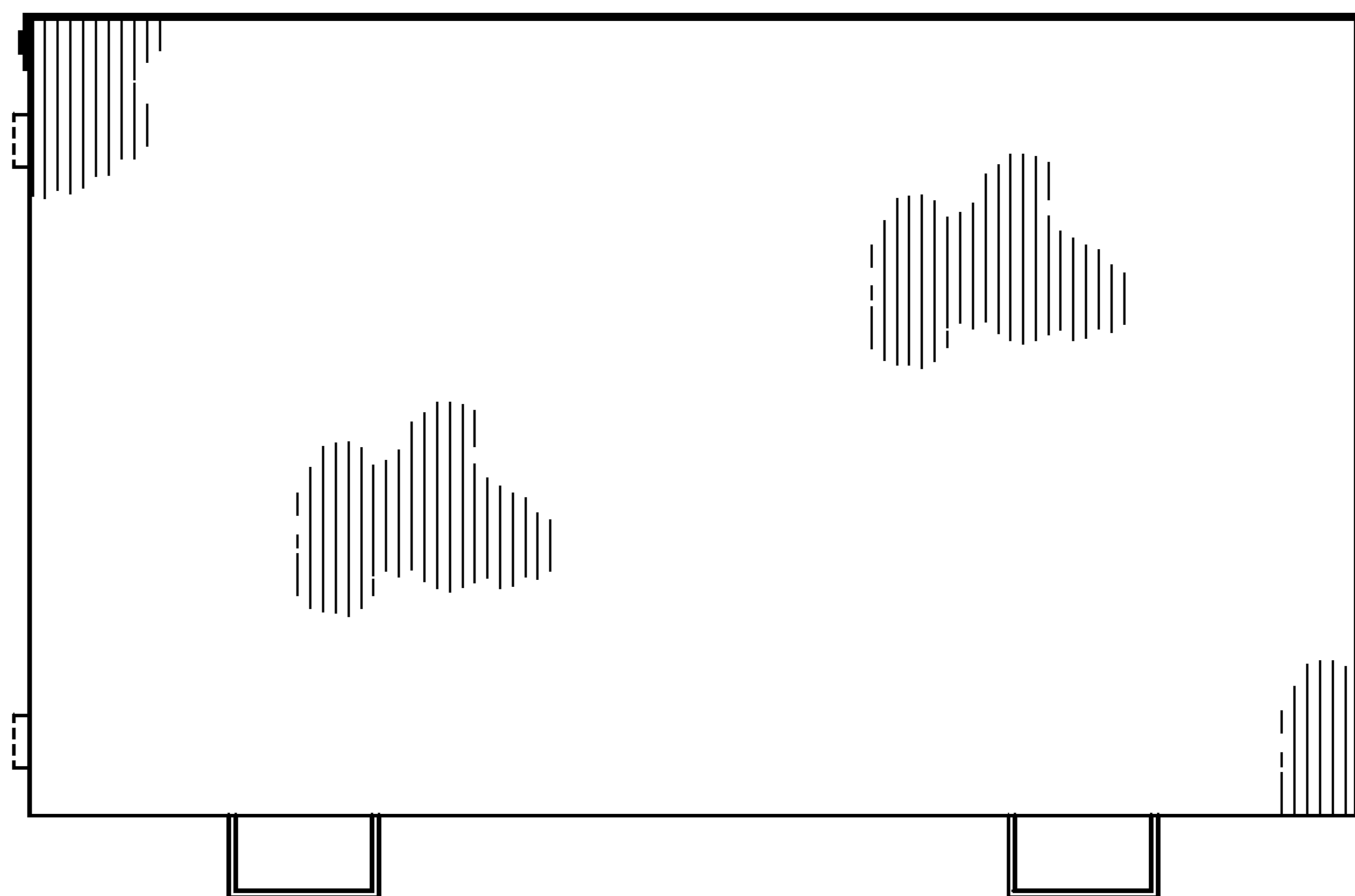


Fig. 5



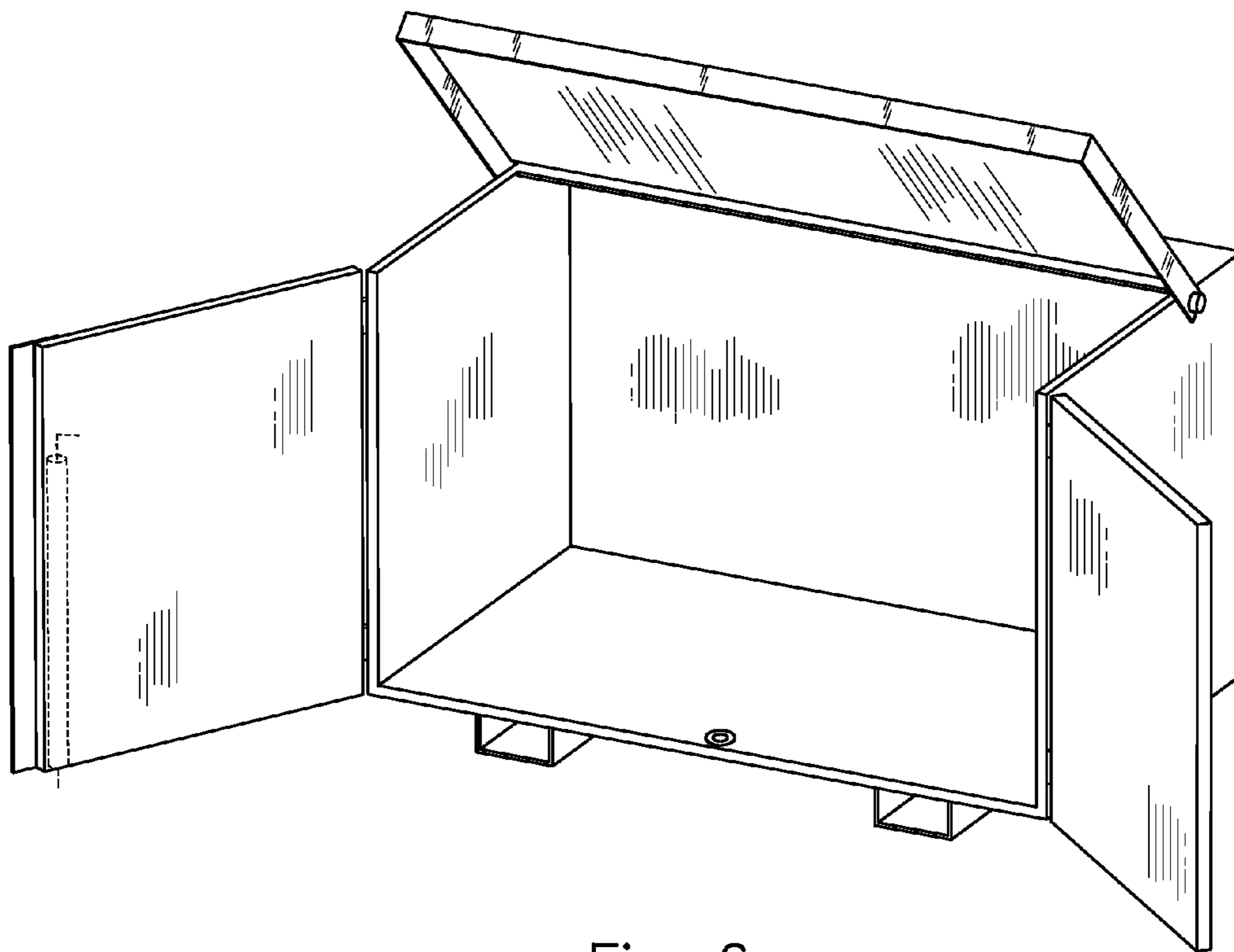


Fig. 6