



US00D580648S

(12) **United States Design Patent**  
**Choi**

(10) **Patent No.:** **US D580,648 S**

(45) **Date of Patent:** **\*\* Nov. 18, 2008**

(54) **JEWELRY ITEM**

(75) Inventor: **Sandra Choi**, London (GB)

(73) Assignee: **J. Choo Limited**, London (GB)

(\*\*) Term: **14 Years**

(21) Appl. No.: **29/289,280**

(22) Filed: **Jul. 12, 2007**

(30) **Foreign Application Priority Data**

Jan. 24, 2007 (EM) ..... 000660592-011

(51) **LOC (8) Cl.** ..... **02-07**

(52) **U.S. Cl.** ..... **D2/976; D2/946**

(58) **Field of Classification Search** ..... D2/916-922,  
D2/925-941, 946, 969, 971, 976; D11/40,  
D11/41, 75, 76, 79, 86, 89, 91, 92, 200, 215,  
D11/231, 234; D28/40-42; 2/245; 36/11.5,  
36/83

See application file for complete search history.

(56) **References Cited**

**U.S. PATENT DOCUMENTS**

|               |         |            |       |        |
|---------------|---------|------------|-------|--------|
| D46,625 S *   | 11/1914 | Sonerin    | ..... | D2/929 |
| D56,727 S *   | 12/1920 | Ordway     | ..... | D2/976 |
| D60,670 S *   | 3/1922  | Hirshfield | ..... | D2/929 |
| D60,876 S *   | 4/1922  | Ordway     | ..... | D2/976 |
| 1,640,665 A * | 8/1927  | Muscente   | ..... | 2/245  |
| D81,418 S *   | 6/1930  | Smith      | ..... | D2/976 |
| D82,014 S *   | 9/1930  | Ashton     | ..... | D2/976 |
| D82,527 S *   | 11/1930 | Smith      | ..... | D2/976 |
| D82,546 S *   | 11/1930 | Dugan      | ..... | D2/976 |
| D84,116 S *   | 5/1931  | Smith      | ..... | D2/976 |
| D93,600 S *   | 10/1934 | Babin      | ..... | D2/929 |
| D100,384 S *  | 7/1936  | Meyer      | ..... | D2/929 |
| D119,517 S *  | 3/1940  | Wood       | ..... | D2/926 |

|               |         |          |       |         |
|---------------|---------|----------|-------|---------|
| 2,233,544 A * | 3/1941  | McKinley | ..... | 359/519 |
| D131,570 S *  | 3/1942  | Vivier   | ..... | D2/930  |
| D143,397 S *  | 1/1946  | Cameron  | ..... | D2/976  |
| D530,076 S *  | 10/2006 | Choi     | ..... | D2/976  |
| D530,240 S *  | 10/2006 | Kelsey   | ..... | D11/200 |
| D532,596 S *  | 11/2006 | Choi     | ..... | D2/976  |
| D534,713 S *  | 1/2007  | Weitzman | ..... | D2/929  |
| D539,522 S *  | 4/2007  | Lawler   | ..... | D2/976  |
| D540,533 S *  | 4/2007  | Choi     | ..... | D2/976  |
| D542,020 S *  | 5/2007  | Choi     | ..... | D2/976  |

**OTHER PUBLICATIONS**

U.S. Appl. No. 29/289,257, filed Jul. 13, 2007.

\* cited by examiner

*Primary Examiner*—Ian Simmons

*Assistant Examiner*—Elizabeth J Oswecki

(74) *Attorney, Agent, or Firm*—Fross Zelnick Lehrman & Zissu, P.C.; Lawrence E. Apolzon, Esq.

(57) **CLAIM**

The ornamental design for a jewelry item, as shown and described.

**DESCRIPTION**

FIG. 1 is a front perspective view of a jewelry item showing my new design;

FIG. 2 is a left side view thereof;

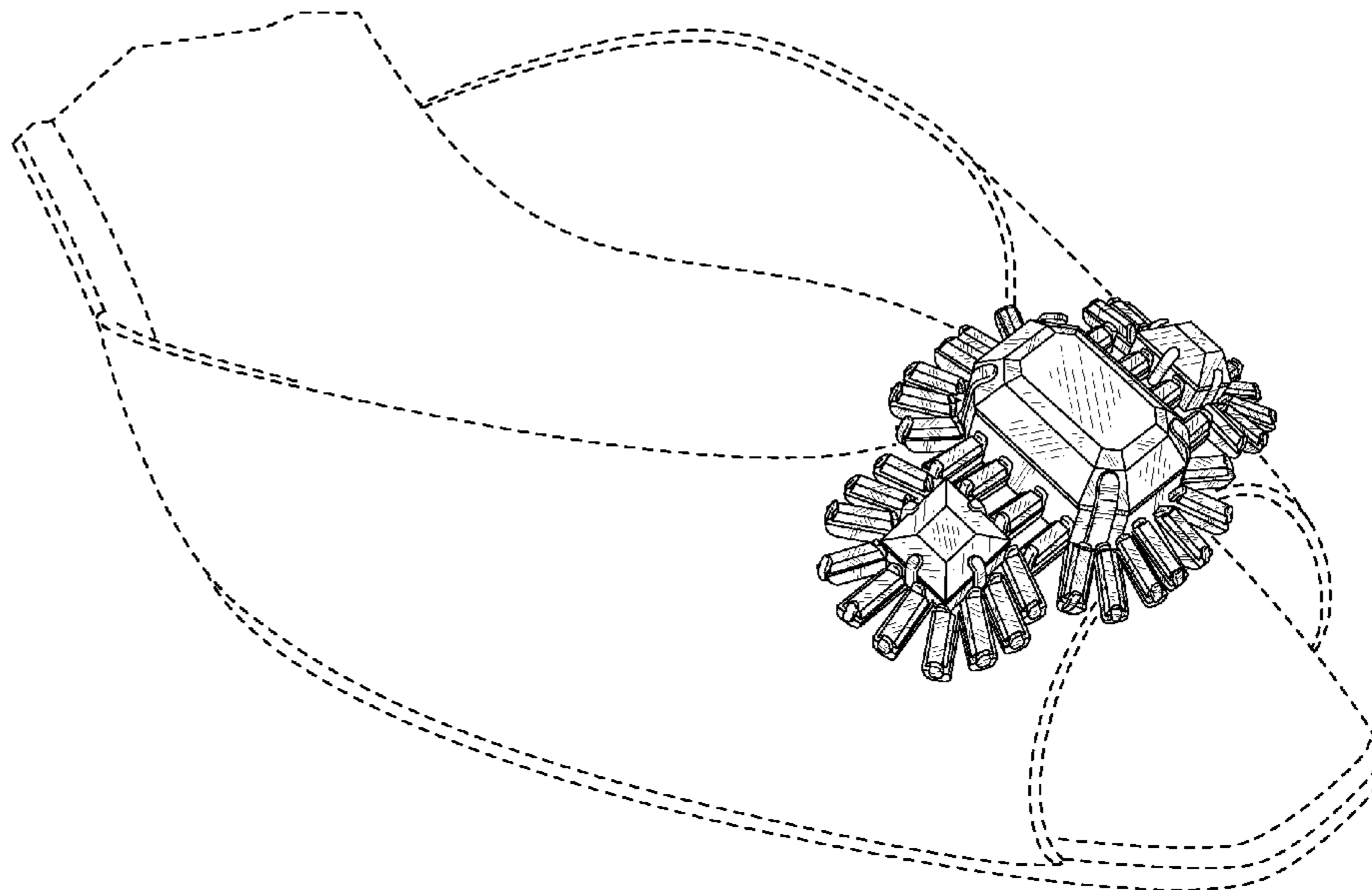
FIG. 3 is a right side view thereof;

FIG. 4 is a front view thereof; and,

FIG. 5 is a top view thereof.

The broken line showing of a toe of a shoe is included for the purpose of illustrating only and forms no part of the claimed design.

**1 Claim, 5 Drawing Sheets**



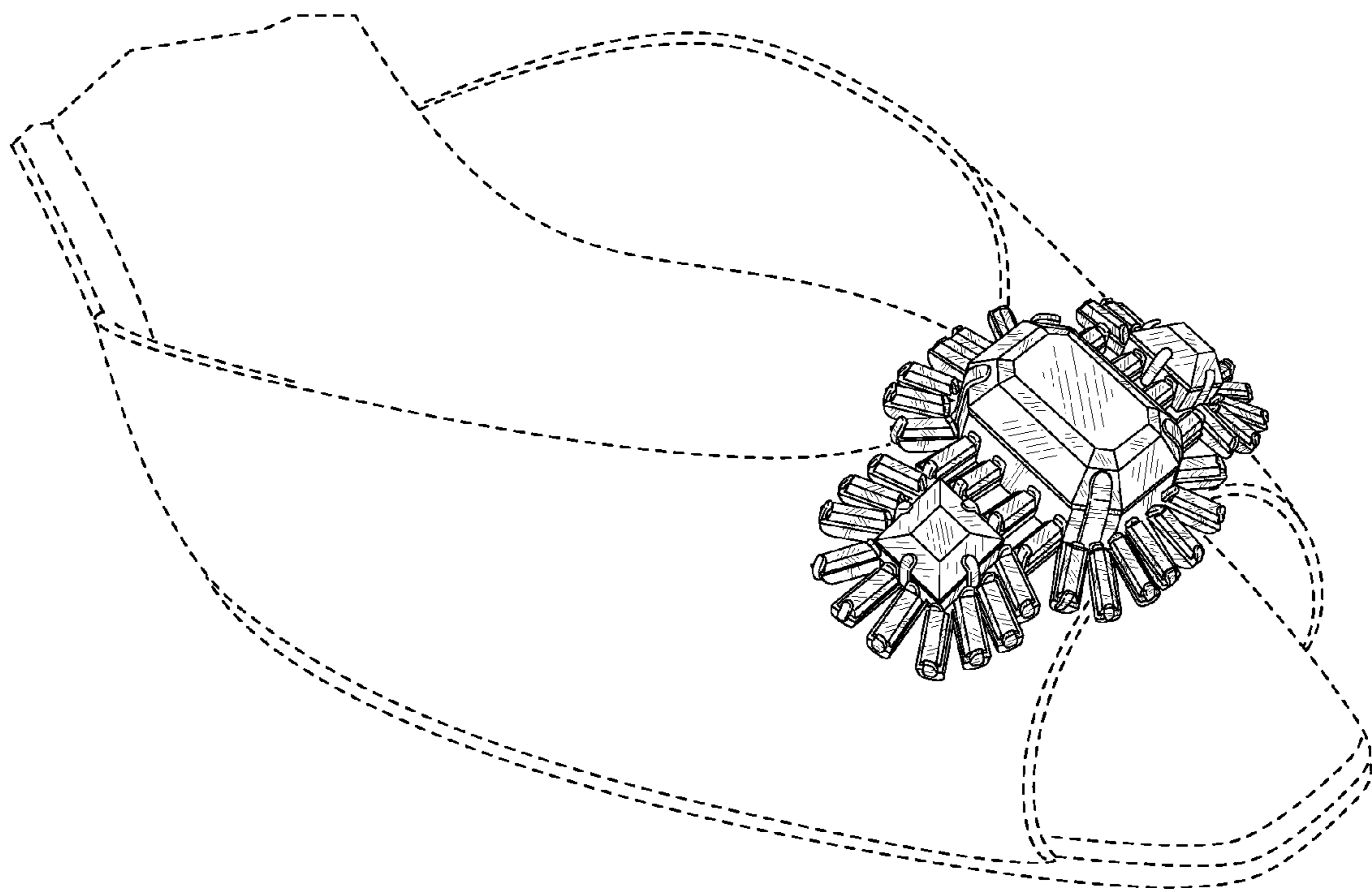


FIG. 1

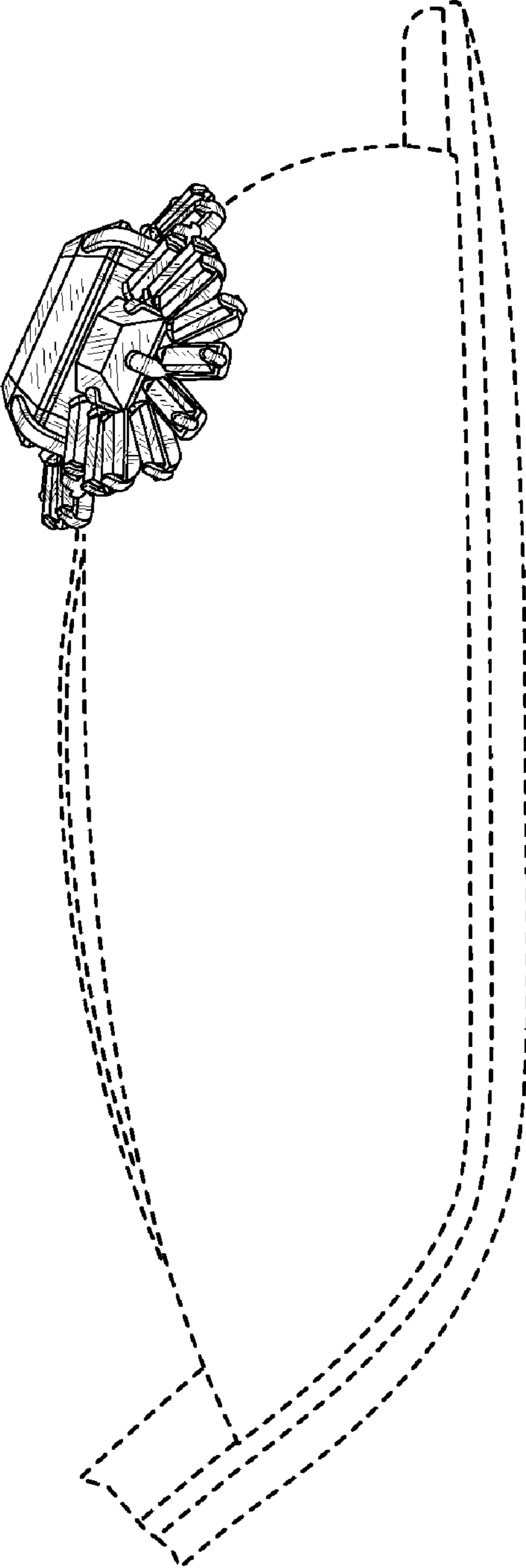


FIG. 2

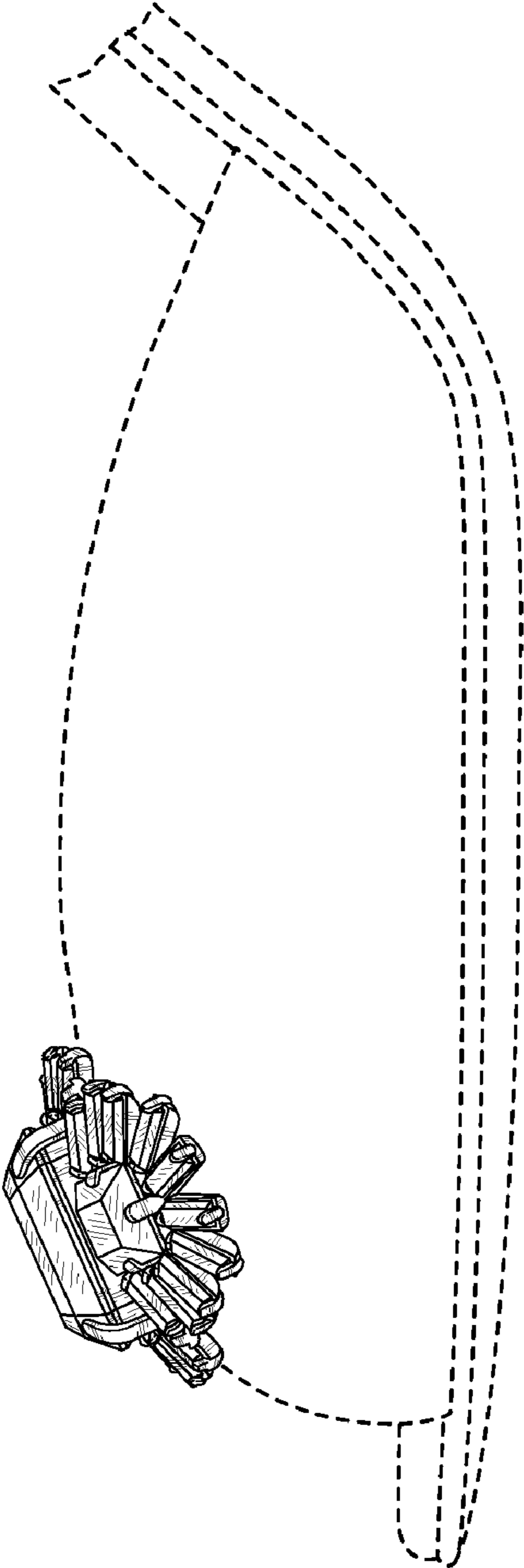


FIG. 3

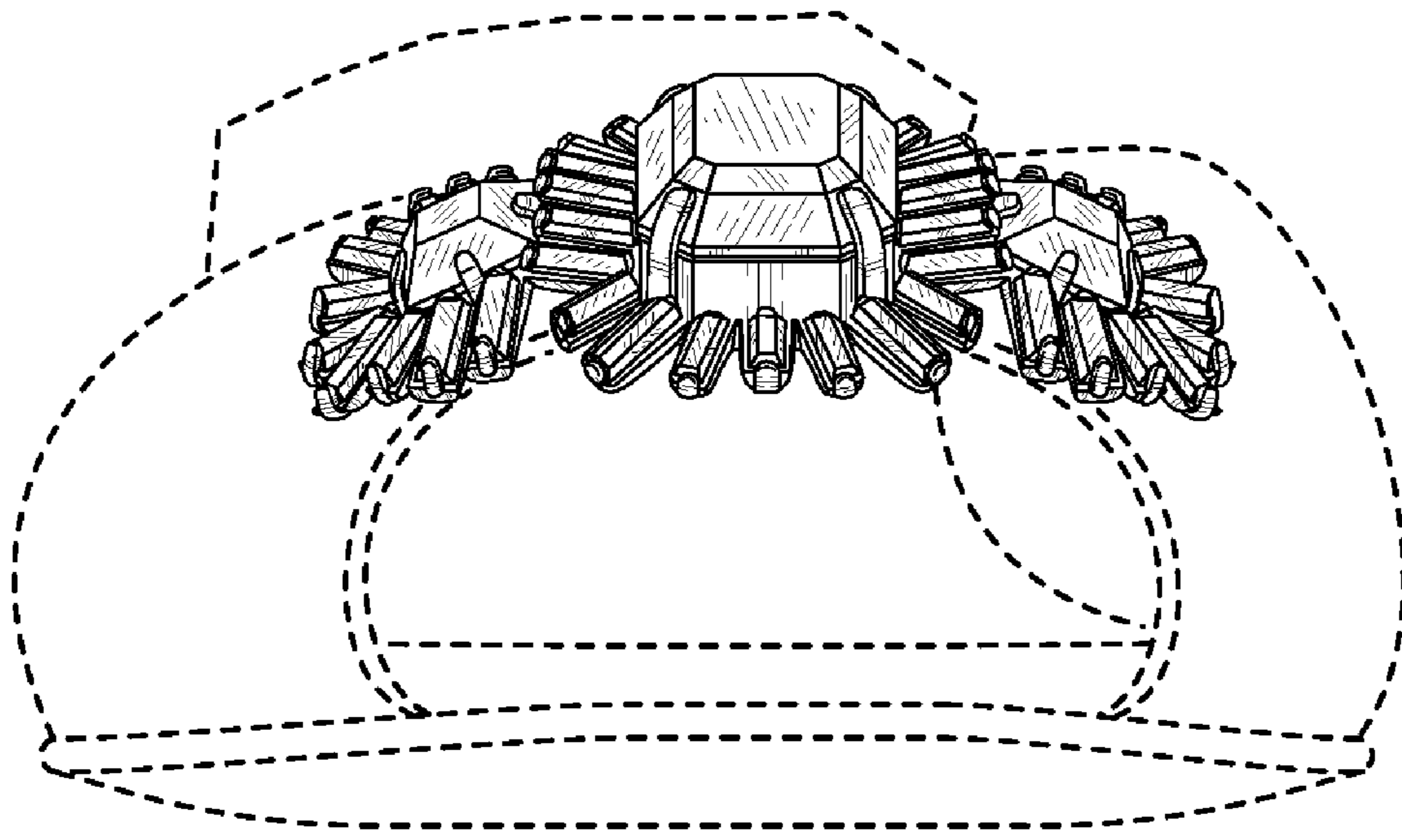


FIG. 4

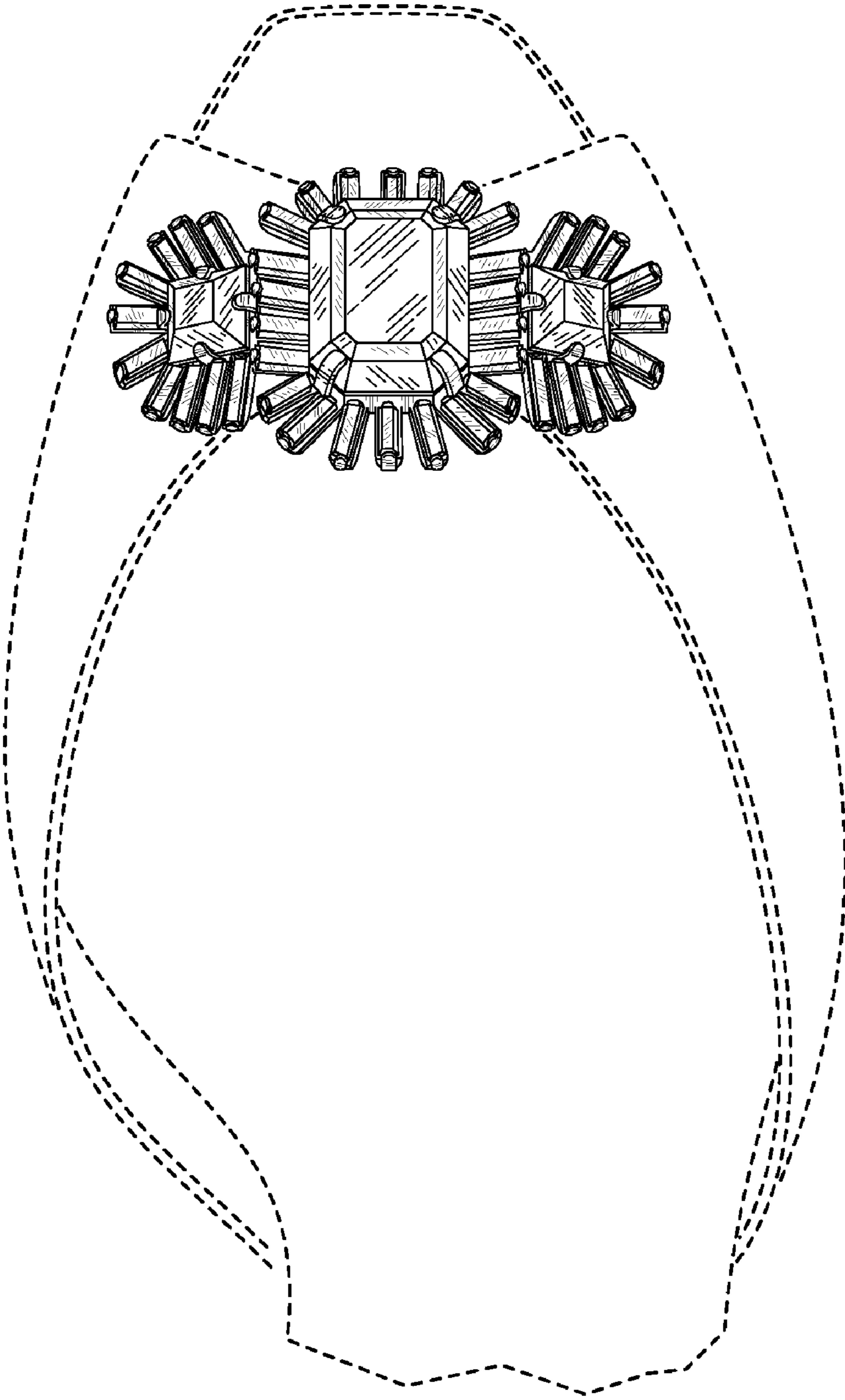


FIG. 5