



US00D580641S

(12) **United States Design Patent**
Schmid

(10) **Patent No.:** **US D580,641 S**

(45) **Date of Patent:** **** Nov. 18, 2008**

(54) **CLEAT FOR A SHOE**

(75) Inventor: **Peter Schmid**, Hong Kong (HK)

(73) Assignee: **Puma Aktiengesellschaft Rudolf Dassler Sport**, Herzogenaurach (DE)

(**) Term: **14 Years**

(21) Appl. No.: **29/280,016**

(22) Filed: **May 14, 2007**

(51) **LOC (8) Cl.** **02-04**

(52) **U.S. Cl.** **D2/962; D2/946**

(58) **Field of Classification Search** D2/906,
D2/946, 947, 948, 962, 963, 964, 965, 966,
D2/959, 954; 36/59 R, 67 A, 67 R, 113,
36/114, 115, 116, 117.3, 124, 127, 129, 132,
36/133, 134

See application file for complete search history.

(56) **References Cited**

U.S. PATENT DOCUMENTS

D33,181 S *	9/1900	Petrone	D2/965
D62,725 S *	7/1923	Nutt	D2/965
D64,321 S *	3/1924	Hill	D2/966
D65,133 S *	7/1924	Nutt	D2/966
D70,521 S *	7/1926	Winkler	D2/966
D89,916 S *	5/1933	Pulsiper	D2/966
D94,046 S *	12/1934	Nutt	D2/966
2,002,556 A *	5/1935	Tubbs	36/59 R
D99,700 S *	5/1936	Calderazzo	D2/966
D116,753 S *	9/1939	Timberlake	D2/965
D123,214 S *	10/1940	Nutt	D2/966

2,292,299 A *	8/1942	Smith	36/59 R
D191,298 S *	9/1961	Fern	D2/966
3,331,148 A *	7/1967	Hollister et al.	36/67 A
3,522,669 A *	8/1970	Simons	36/67 A
3,609,889 A *	10/1971	Calvin et al.	36/67 A
D258,549 S *	3/1981	Goldman	D2/966
D407,893 S *	4/1999	McMullin	D2/962
D450,431 S *	11/2001	Savoie	D2/962
D469,245 S *	1/2003	Savoie	D2/962
D493,953 S *	8/2004	Chang	D2/962
6,983,556 B2 *	1/2006	McMullin	36/67 R
D553,336 S *	10/2007	McMullin	D2/962

* cited by examiner

Primary Examiner—Stella M. Reid

Assistant Examiner—Elizabeth J Oswecki

(74) *Attorney, Agent, or Firm*—Lucas & Mercanti, LLP

(57) **CLAIM**

The ornamental design for a cleat for a shoe, substantially as shown and described.

DESCRIPTION

FIG. 1 is a perspective view of a cleat for a shoe showing my new design;

FIG. 2 is a left side elevation view thereof;

FIG. 3 is a right side elevation view thereof;

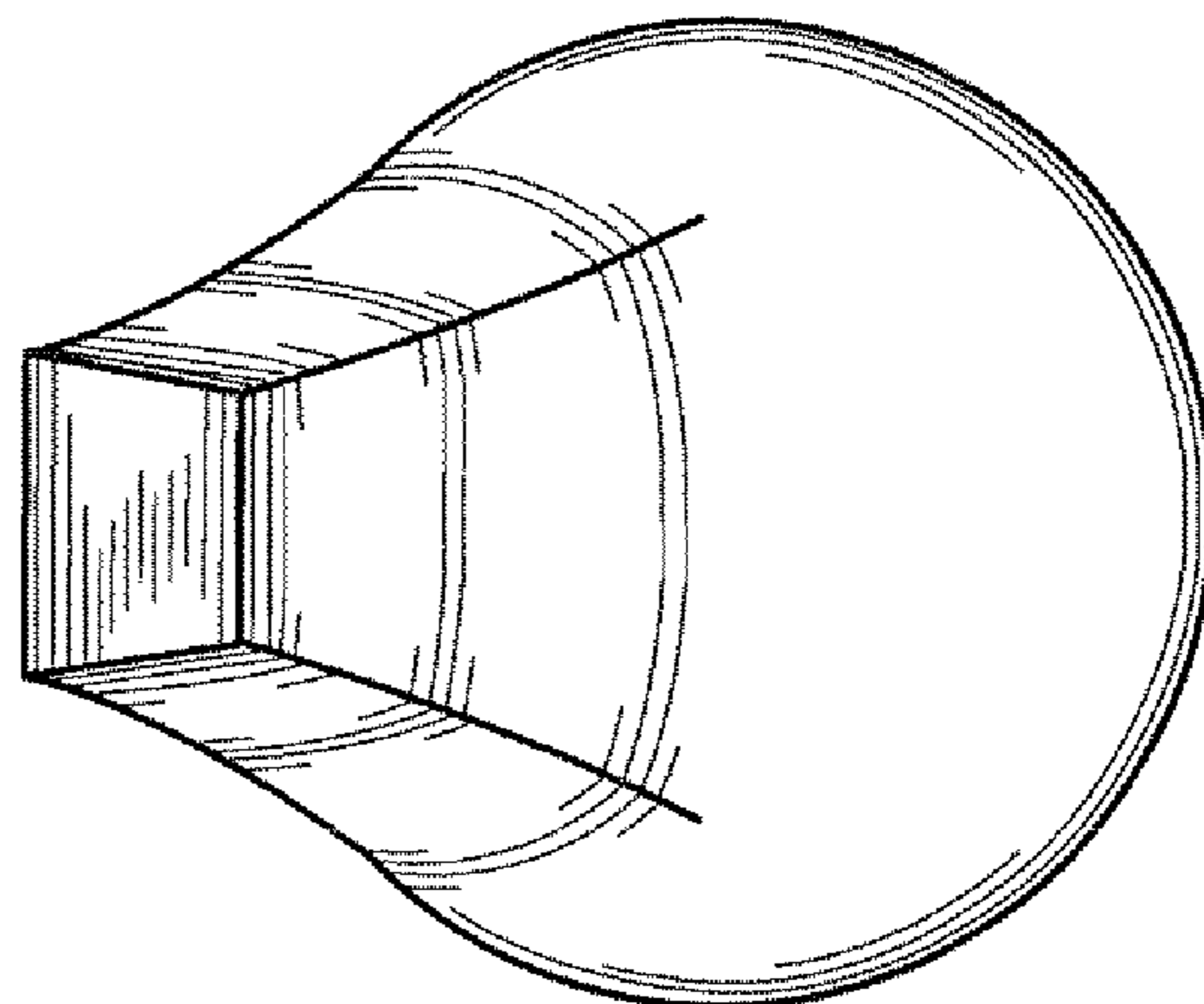
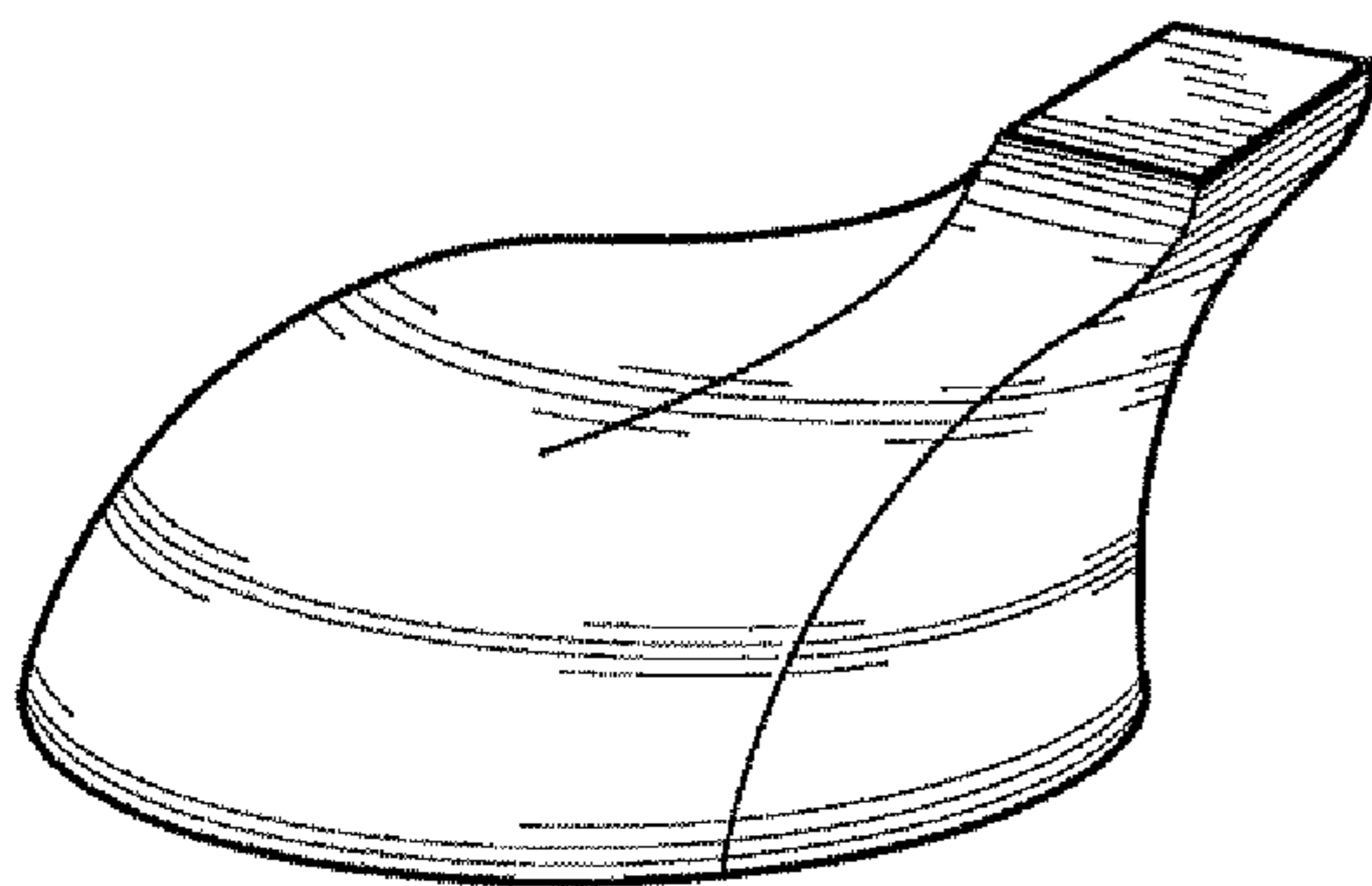
FIG. 4 is a top plan view thereof;

FIG. 5 is a bottom plan view thereof;

FIG. 6 is a back elevation view thereof; and,

FIG. 7 is a front elevation view thereof.

1 Claim, 1 Drawing Sheet



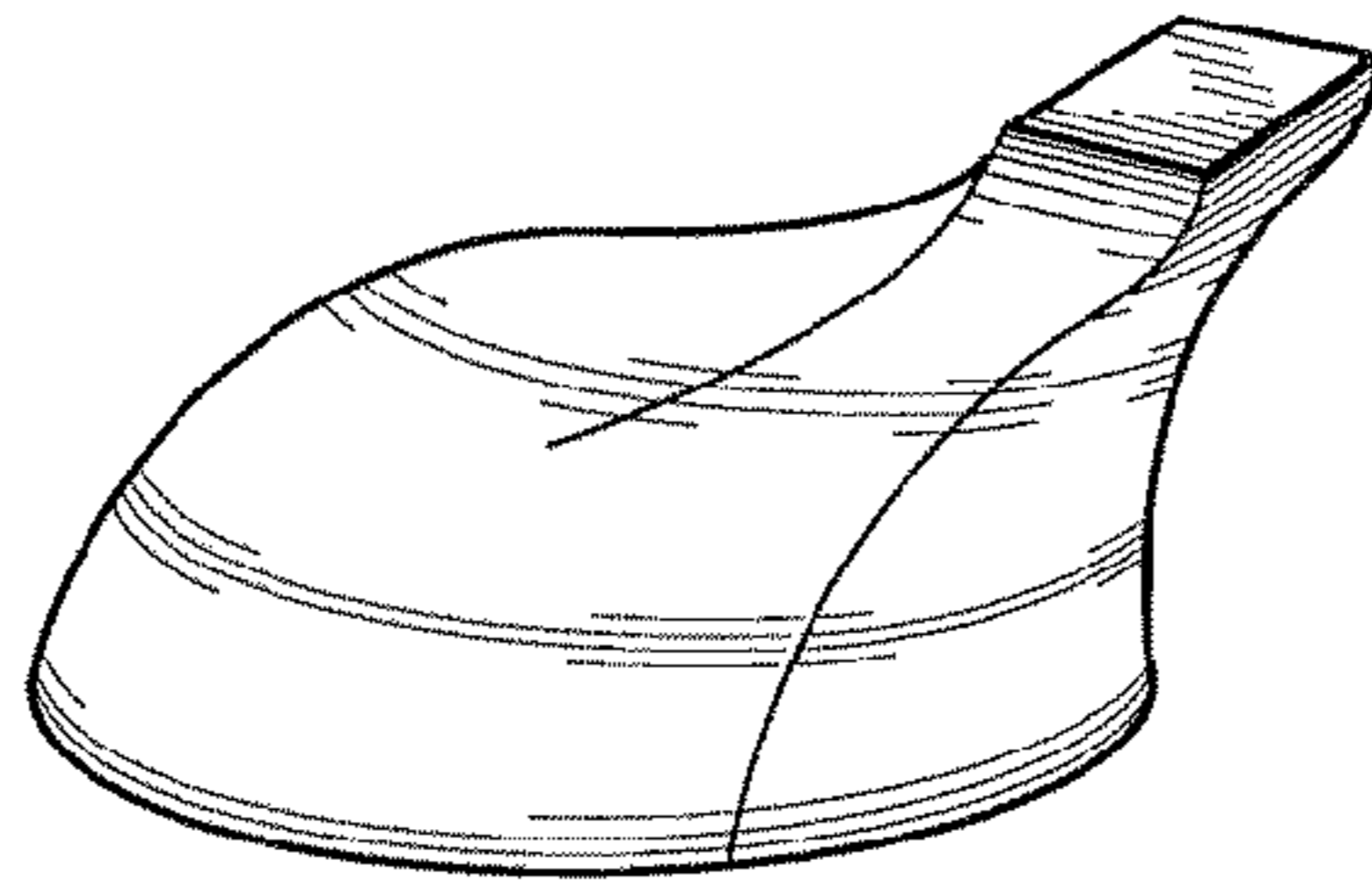


FIG. 1

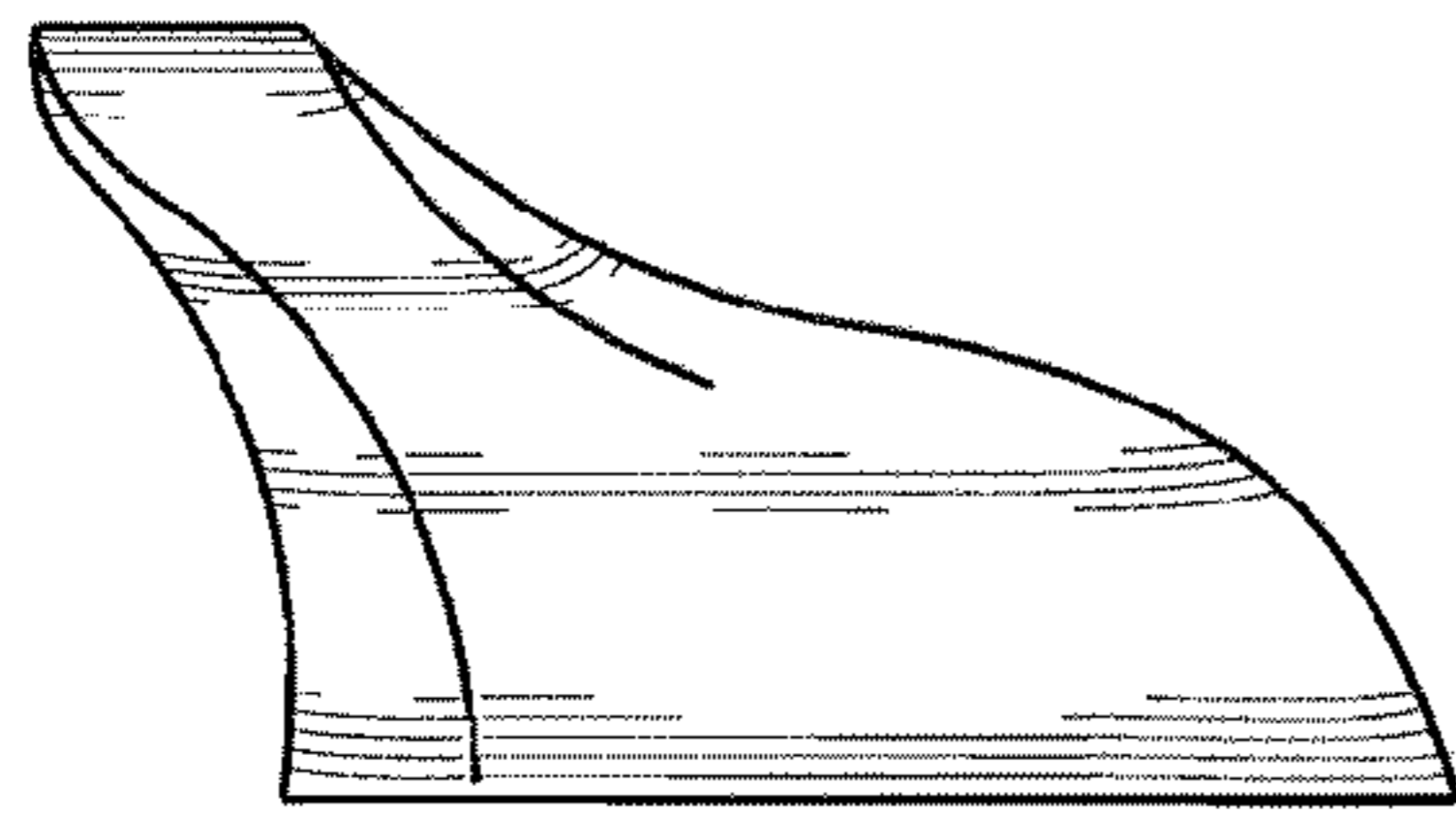


FIG. 2

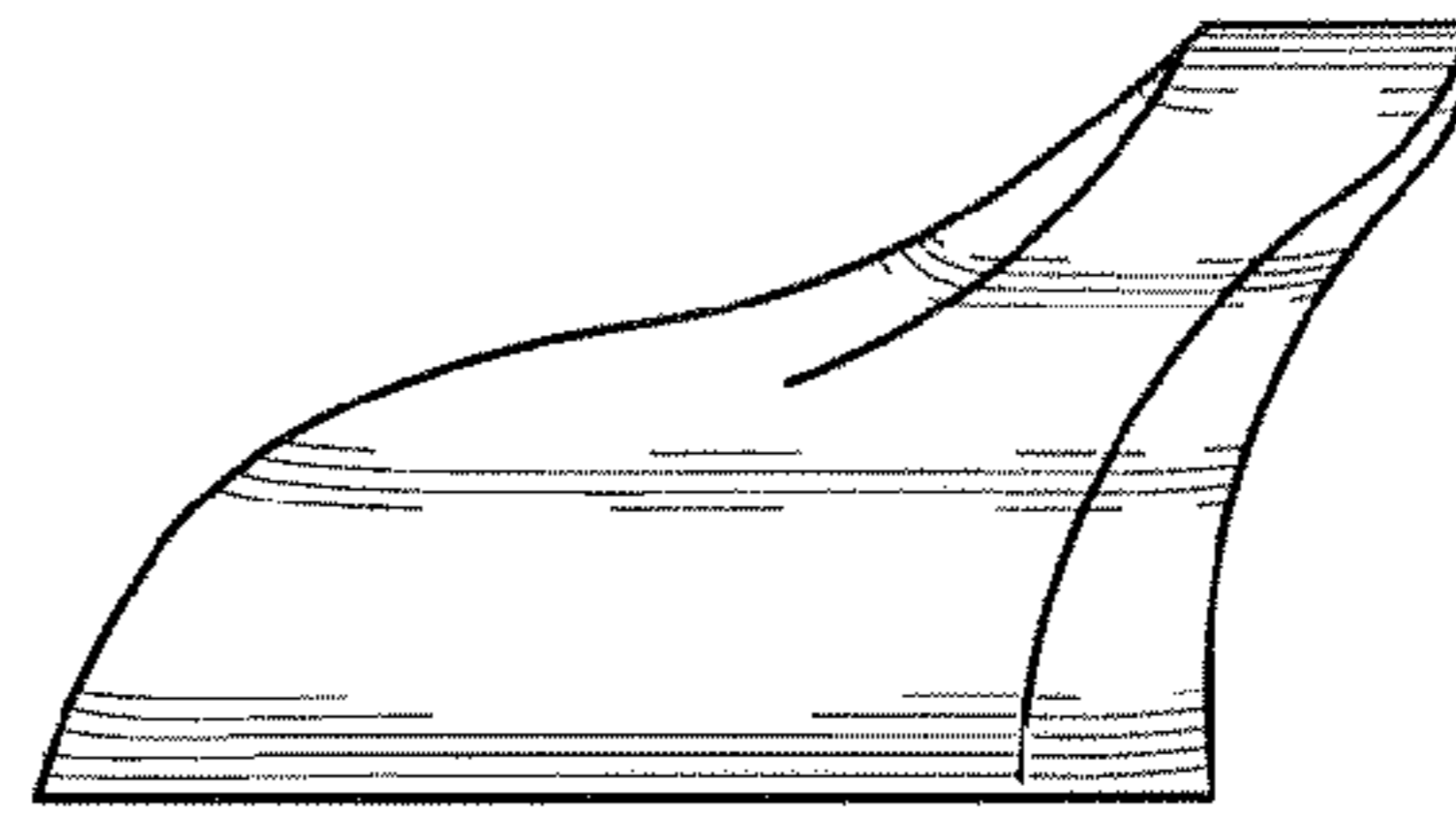


FIG. 3

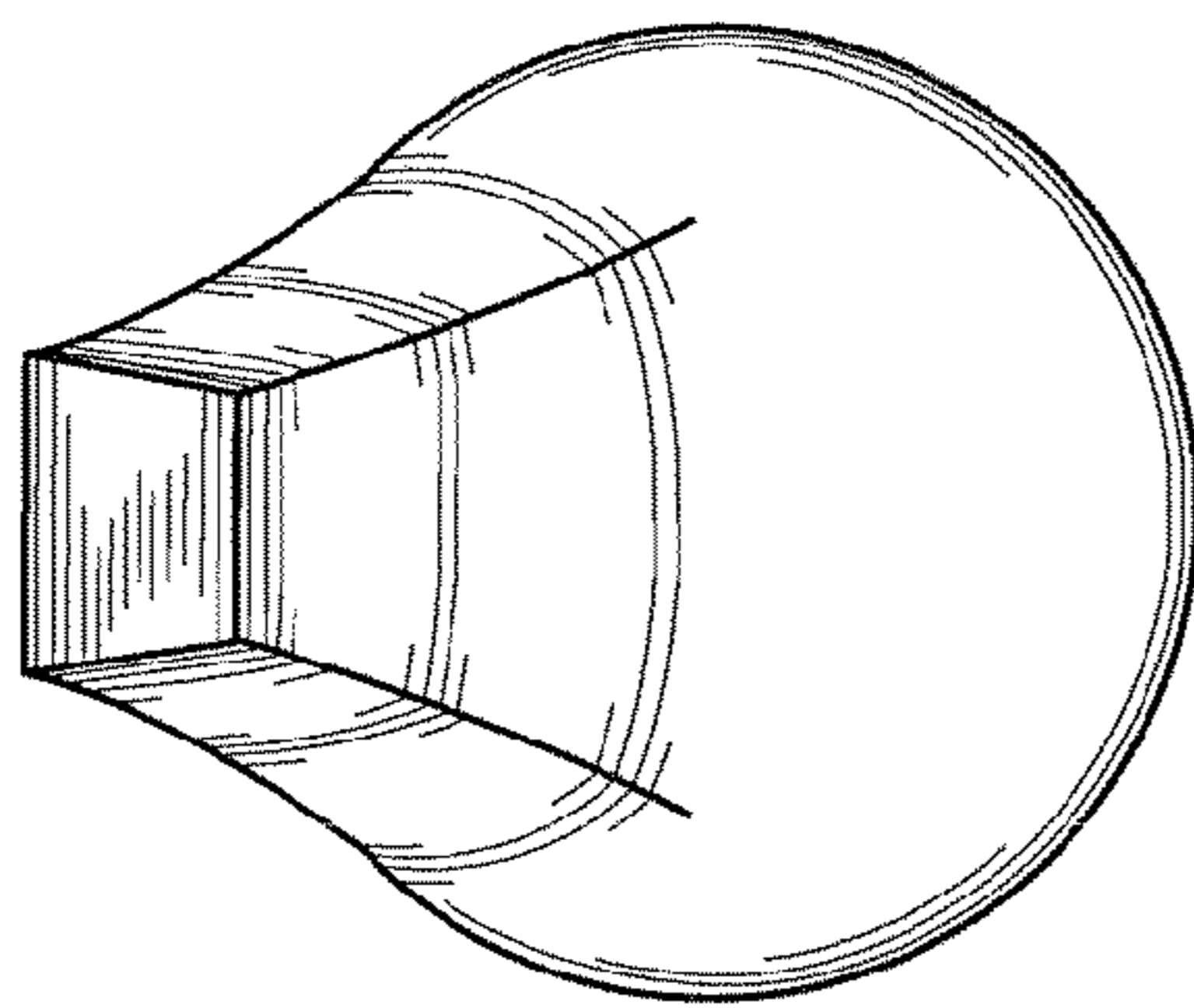


FIG. 4

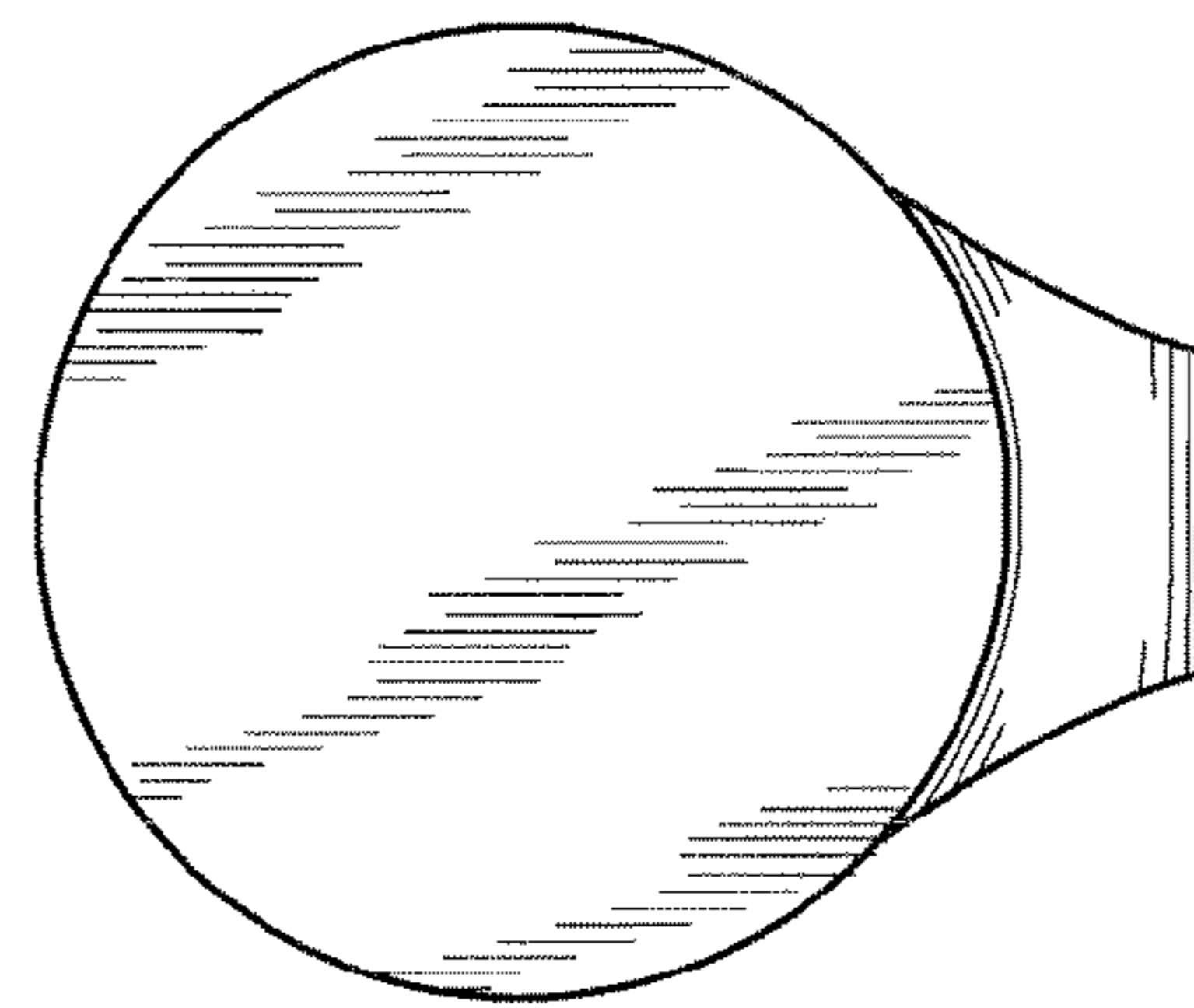


FIG. 5

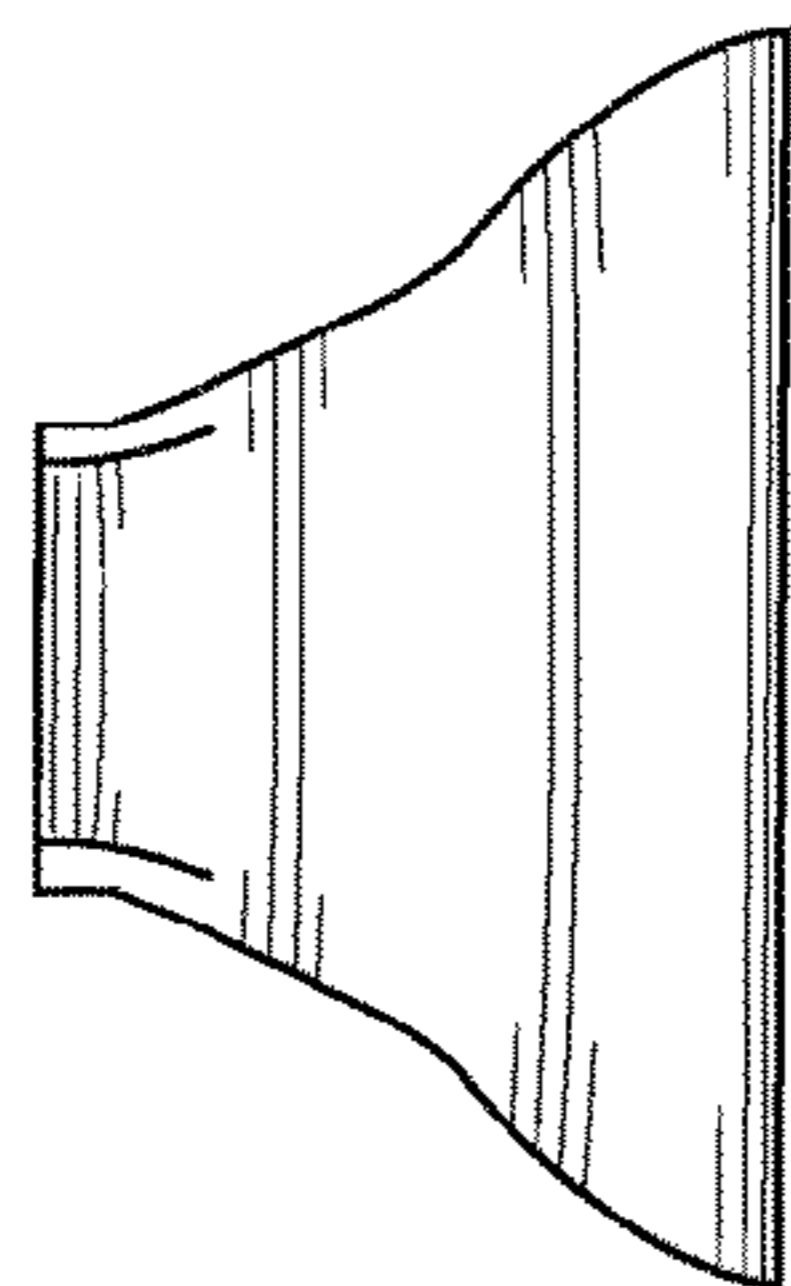


FIG. 6

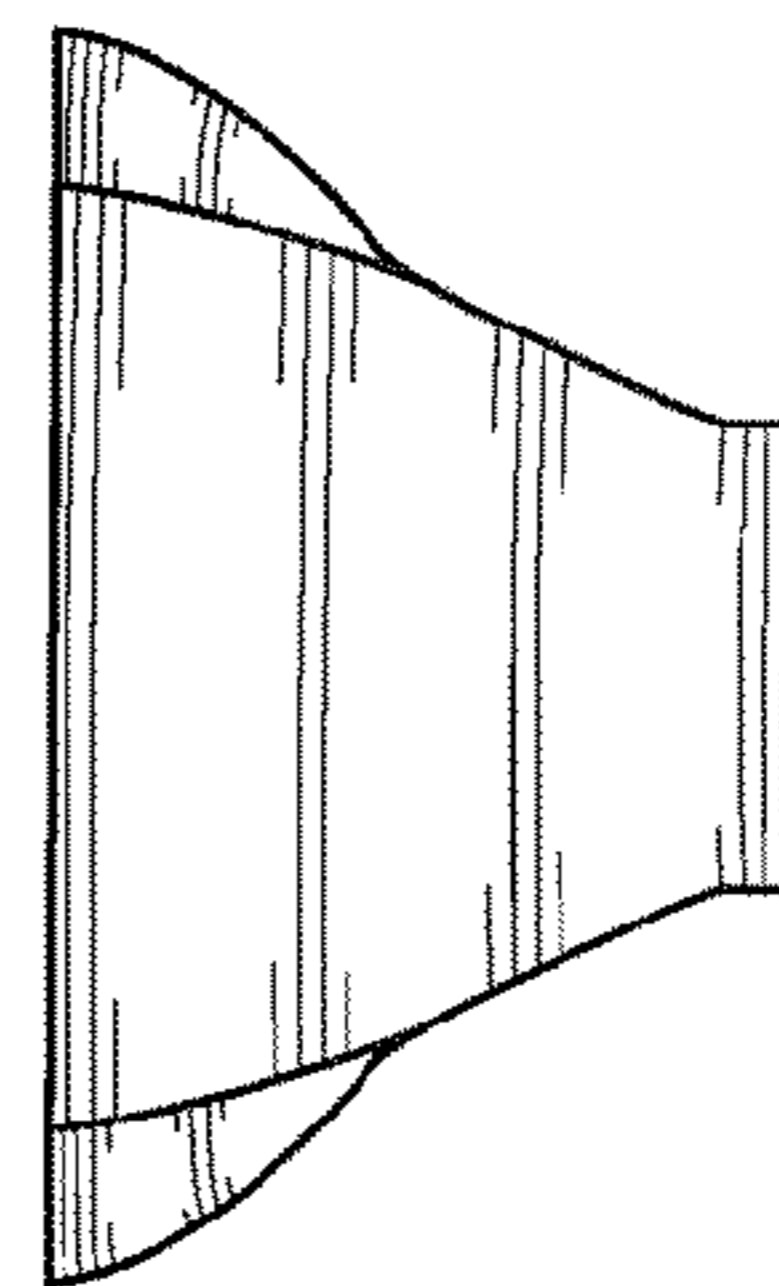


FIG. 7