



US00D580631S

(12) **United States Design Patent**
Adams et al.

(10) **Patent No.:** **US D580,631 S**
(45) **Date of Patent:** **** Nov. 18, 2008**

(54) **JACKET**

(75) Inventors: **Brian Adams**, Spokane, WA (US); **Eric Sachs**, Rossland (CA)

(73) Assignee: **Blackhawk Industries Product Group Unlimited LLC**, Norfolk, VA (US)

(**) Term: **14 Years**

(21) Appl. No.: **29/294,916**

(22) Filed: **Feb. 2, 2008**

(51) **LOC (8) Cl.** **02-02**

(52) **U.S. Cl.** **D2/839**

(58) **Field of Classification Search** D2/717,
D2/741, 750, 751, 828-831, 839-841, 844,
D2/600; 2/462, 84, 90, 92-96, 102, 108,
2/115, 122

See application file for complete search history.

(56) **References Cited**

U.S. PATENT DOCUMENTS

- 4,569,089 A * 2/1986 Nesse 2/108
- D338,773 S * 8/1993 Wilde D2/831
- D367,551 S * 3/1996 Chalbeck et al. D2/841
- D374,329 S * 10/1996 Wilde D2/836
- D385,090 S * 10/1997 DiPietro D2/849

- D402,787 S * 12/1998 Kerr D2/837
- 6,163,883 A * 12/2000 Hong 2/69
- 6,651,254 B1 * 11/2003 Chang 2/87
- D555,878 S * 11/2007 Bay D2/828
- D574,579 S * 8/2008 Kang D2/840
- 2006/0236442 A1 * 10/2006 Seguin et al. 2/93
- 2008/0005825 A1 * 1/2008 Tronvold 2/95

FOREIGN PATENT DOCUMENTS

DE 10261359 A1 * 7/2004

* cited by examiner

Primary Examiner—Adir Aronovich

Assistant Examiner—R. Johnson

(74) *Attorney, Agent, or Firm*—Bowman Green Hampton & Kelly, PLLC

(57) **CLAIM**

The ornamental design for a jacket, as shown and described.

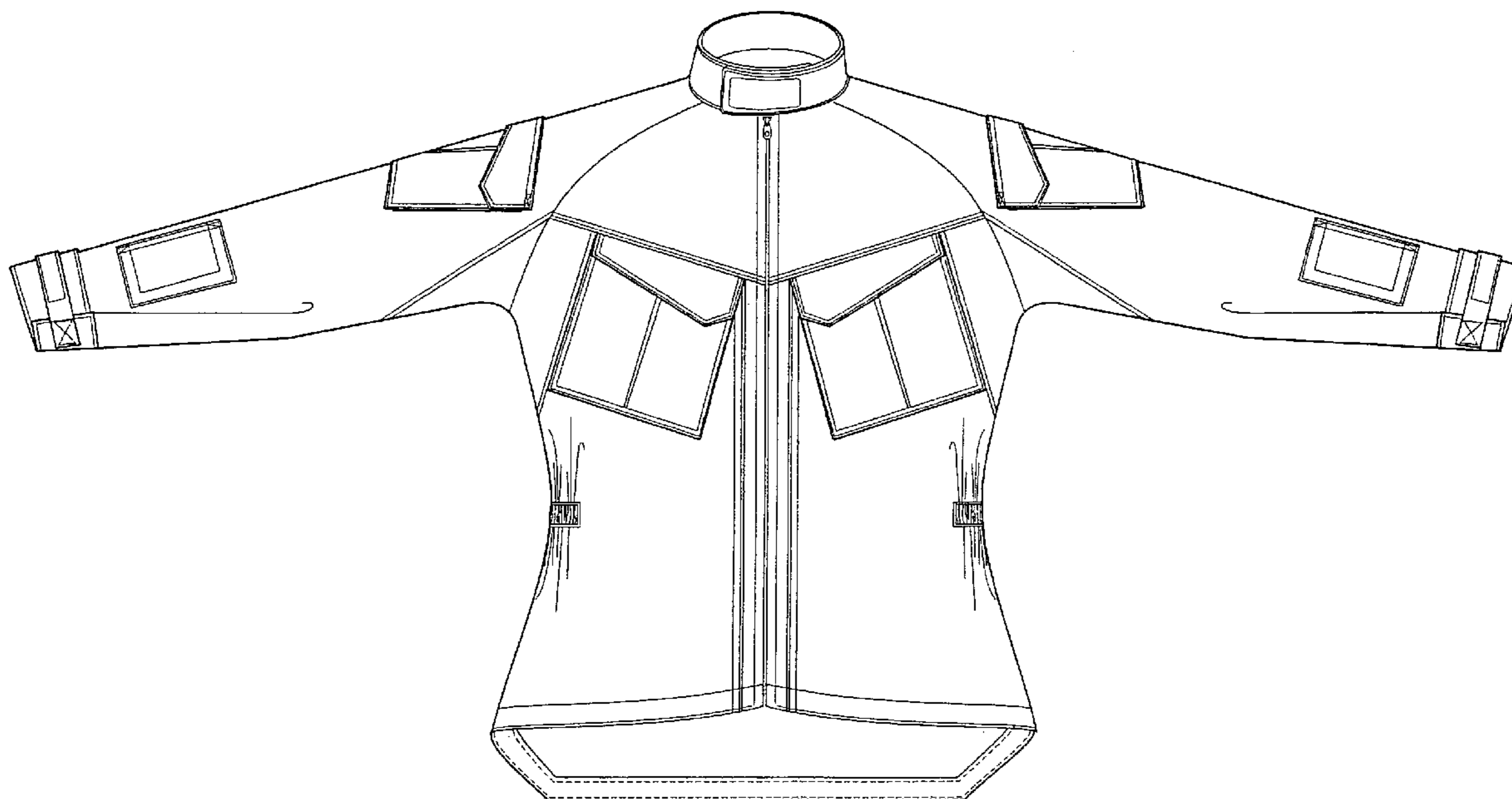
DESCRIPTION

FIG. 1 is a front view of the jacket, showing our new design; and,

FIG. 2 is a rear view of the jacket, showing our new design.

The broken lines shown on the surface of the jacket in FIGS. 1 and 2 represent stitching.

1 Claim, 2 Drawing Sheets



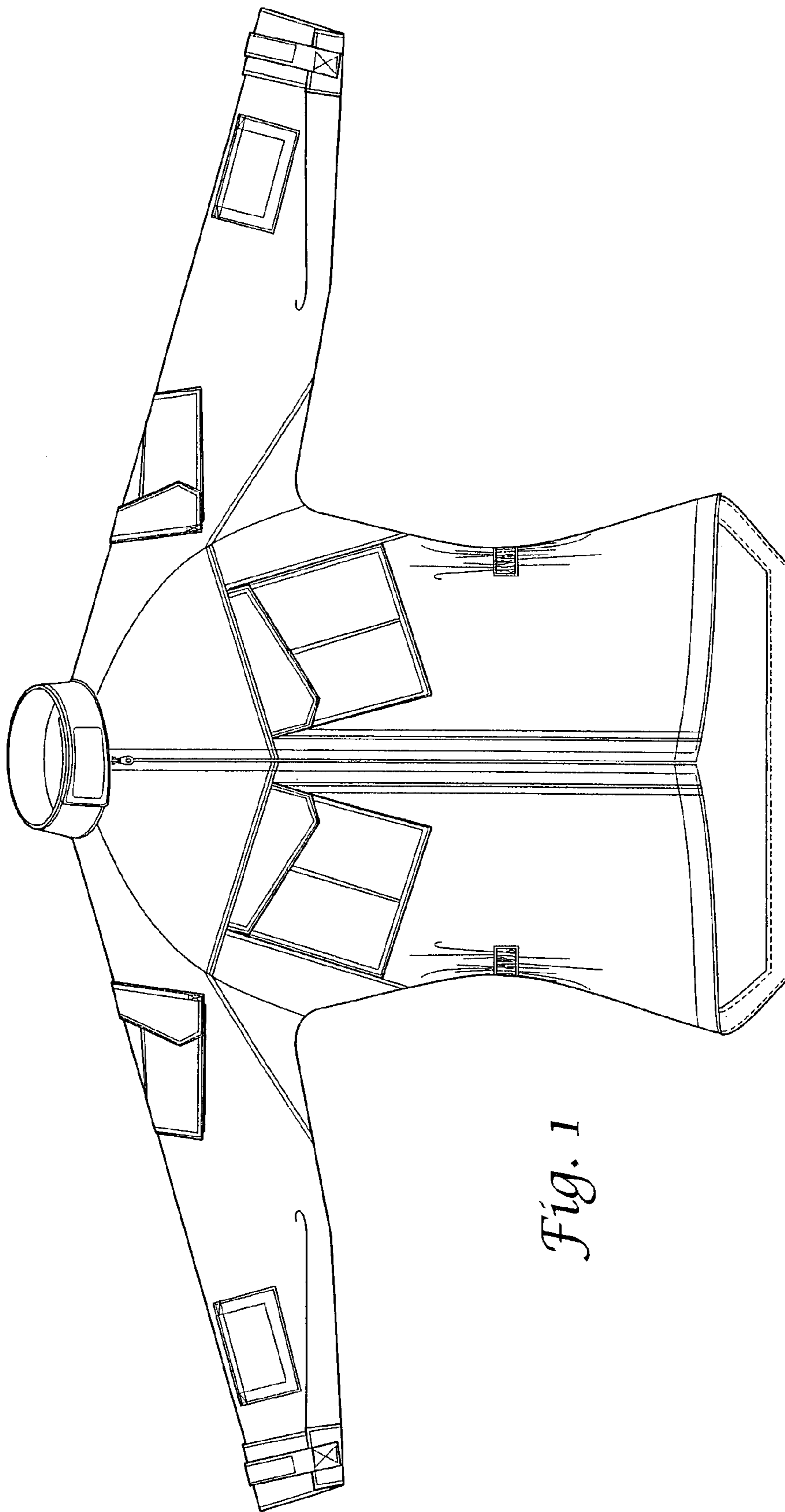


Fig. 1

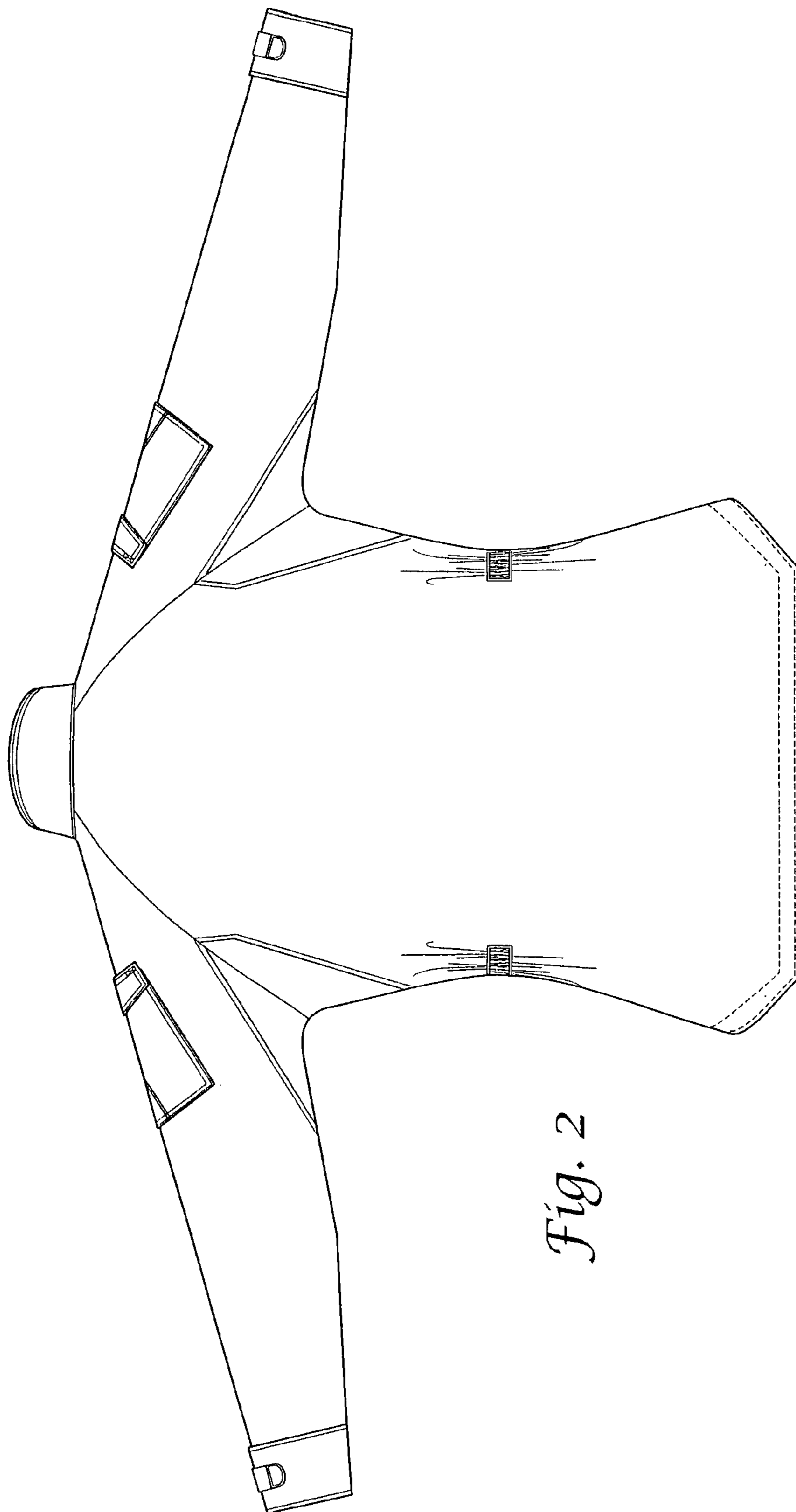


Fig. 2