



US00D580624S

(12) **United States Design Patent**
Bowers

(10) **Patent No.:** **US D580,624 S**

(45) **Date of Patent:** **** Nov. 11, 2008**

(54) **MAILBOX**

3,874,583 A 4/1975 Moll 232/17
4,186,869 A 2/1980 Brown 232/17

(75) Inventor: **John M. Bowers**, Orlando, FL (US)

(Continued)

(73) Assignee: **EuroAsia Products, Inc.**, Orlando, FL (US)

OTHER PUBLICATIONS

(**) Term: **14 Years**

<http://www.hautchina.com/productslist.asp?id=8&page=3> Jun. 12, 2008.*

(21) Appl. No.: **29/272,111**

Primary Examiner—Robert M. Spear
Assistant Examiner—Susan E Krakower

(22) Filed: **Feb. 1, 2007**

(74) *Attorney, Agent, or Firm*—Brian S. Steinberger; Law Offices of Brian S. Steinberger, P.A.

(51) **LOC (8) Cl.** **99-00**

(52) **U.S. Cl.** **D99/29**

(58) **Field of Classification Search** D99/28–33,
D99/997; 232/17, 21, 28, 33–35, 38–42,
232/43.1–43.3, 45, 47; 70/150, 160; D8/DIG. 1,
D8/300–320, 330, 350; D3/270, 272, 294;
D6/510; 220/501, 826, 830, 836, 930; D25/158,
D25/160, 826; 404/19; 16/412, 415, 417,
16/419, 110.1; 292/347

(57) **CLAIM**

See application file for complete search history.

The ornamental design for a mailbox, as shown and described.

DESCRIPTION

(56) **References Cited**

U.S. PATENT DOCUMENTS

1,037,348 A	9/1912	Smith	
1,136,505 A	4/1915	Razny	
1,543,072 A *	6/1925	Fenner	232/34
1,690,967 A	11/1928	Cobb	
1,824,881 A	9/1931	Foss	
2,038,823 A *	4/1936	Brandt et al.	232/17
2,143,575 A *	1/1939	Raymond	292/223
2,169,855 A	8/1939	Stough	232/41.4
2,431,838 A *	12/1947	Staley	232/17
2,437,053 A	3/1948	Swanson	232/25
2,484,718 A	10/1949	McCullar	232/34
2,960,265 A	11/1960	Simon	232/25
3,208,668 A	9/1965	Dickins, Sr.	232/33
3,722,460 A	3/1973	James, Sr.	116/132
3,733,026 A	5/1973	Rowe et al.	232/35
3,758,027 A	9/1973	Morgan	232/17
3,827,626 A	8/1974	Daigle	232/17

FIG. 1 is an upper front right perspective view of a mailbox showing my new design.

FIG. 2 is an upper rear right perspective view of the design of FIG. 1.

FIG. 3 is an upper front left perspective view of the design of FIG. 1.

FIG. 4 is an upper rear left perspective view of the design of FIG. 1.

FIG. 5 is an enlarged front end view of the design of FIG. 1.

FIG. 6 is an enlarged rear end view of the design of FIG. 1.

FIG. 7 is a right side view of the design of FIG. 1.

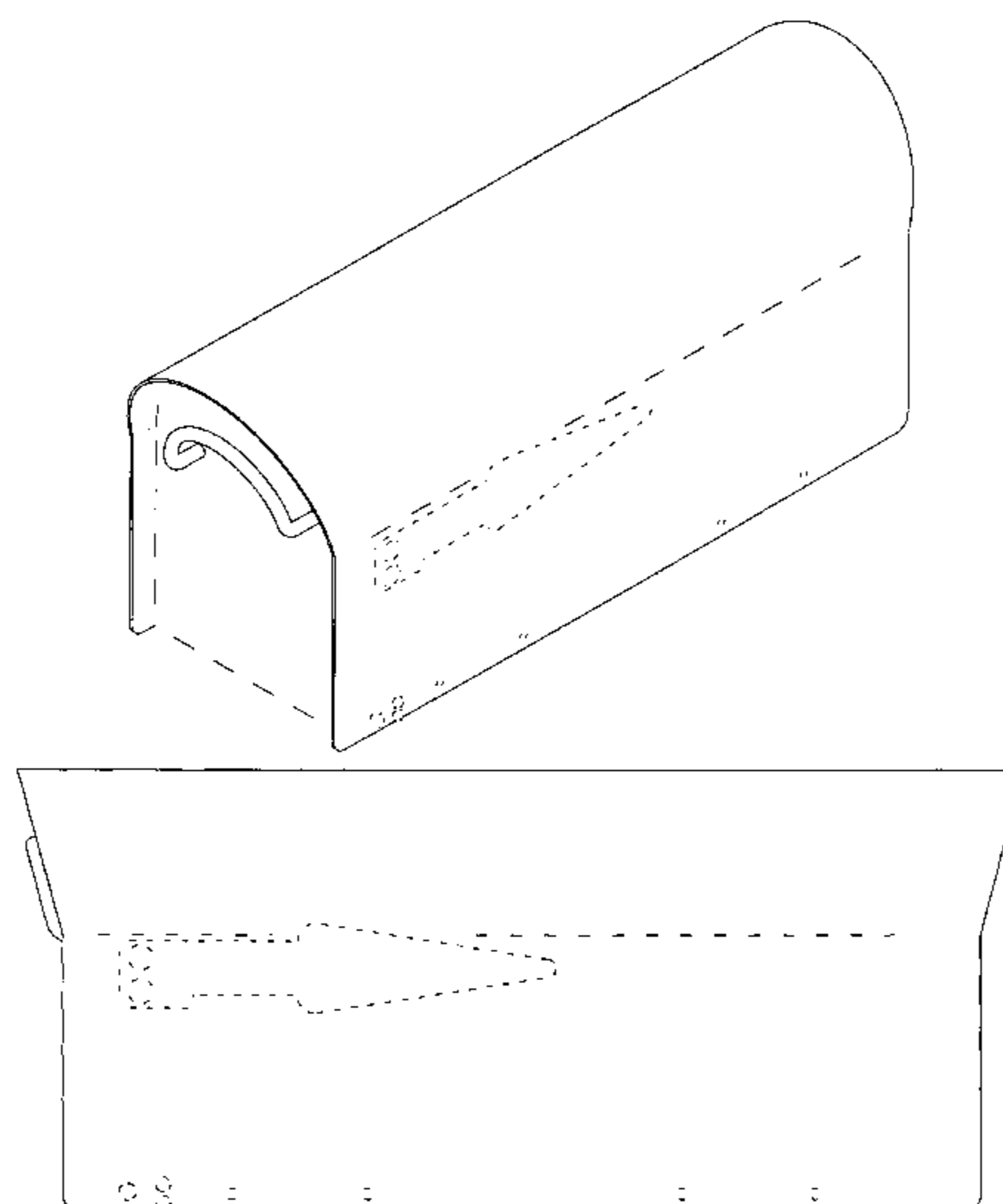
FIG. 8 is a left side view of the design of FIG. 1.

FIG. 9 is a top view of the design of FIG. 1; and,

FIG. 10 is a bottom view of the design of FIG. 1.

The broken lines showing the fasteners, mounting holes, bottom frame support and flag represent environmental components of the mailbox and form no part of the claimed design.

1 Claim, 10 Drawing Sheets



US D580,624 S

Page 2

U.S. PATENT DOCUMENTS

4,244,512 A *	1/1981	Wise	232/17	5,921,117 A	7/1999	Illguth	70/159
4,901,913 A	2/1990	Fischer	232/17	6,234,388 B1	5/2001	Taylor	232/47
4,905,892 A	3/1990	Fischer	232/17	D443,971 S *	6/2001	Carr et al.	D99/30
D332,167 S *	12/1992	Jackman	D99/29	6,244,505 B1	6/2001	Grimes et al.	232/47
5,339,980 A	8/1994	Stutler	220/571	6,317,930 B1 *	11/2001	Hung	16/430
D360,741 S *	7/1995	Bohlmann	D99/30	D474,563 S *	5/2003	Bresciani	D29/109
D376,249 S *	12/1996	Bunch et al.	D99/29	6,772,939 B1	8/2004	Simpson	232/38
5,807,021 A *	9/1998	Aaron	404/19	6,946,184 B2 *	9/2005	Robbins, III	428/120
D402,783 S *	12/1998	Lamolnara	D99/30	2002/0059691 A1	5/2002	Audisio	16/374

* cited by examiner

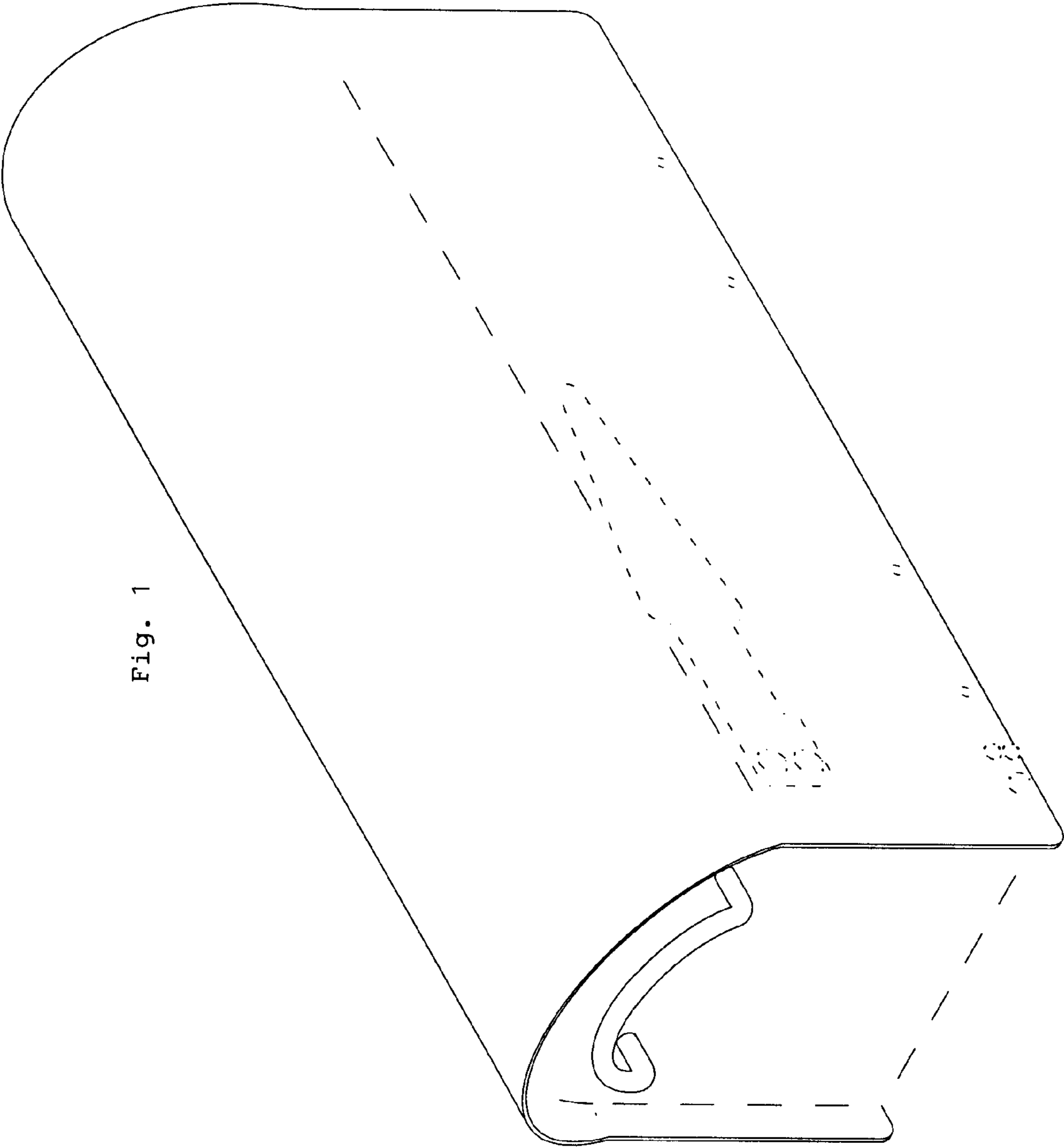


Fig. 1

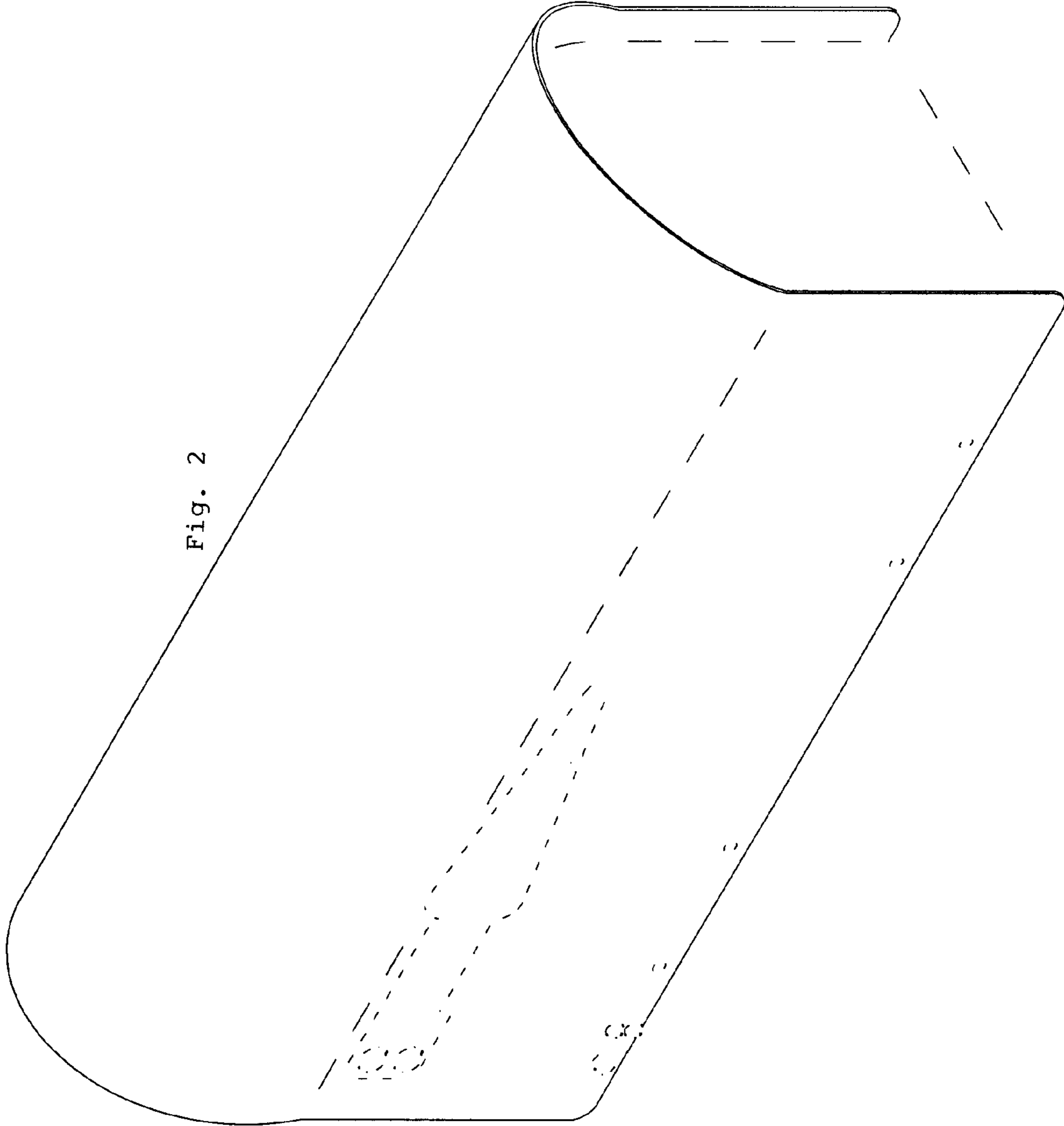


Fig. 2

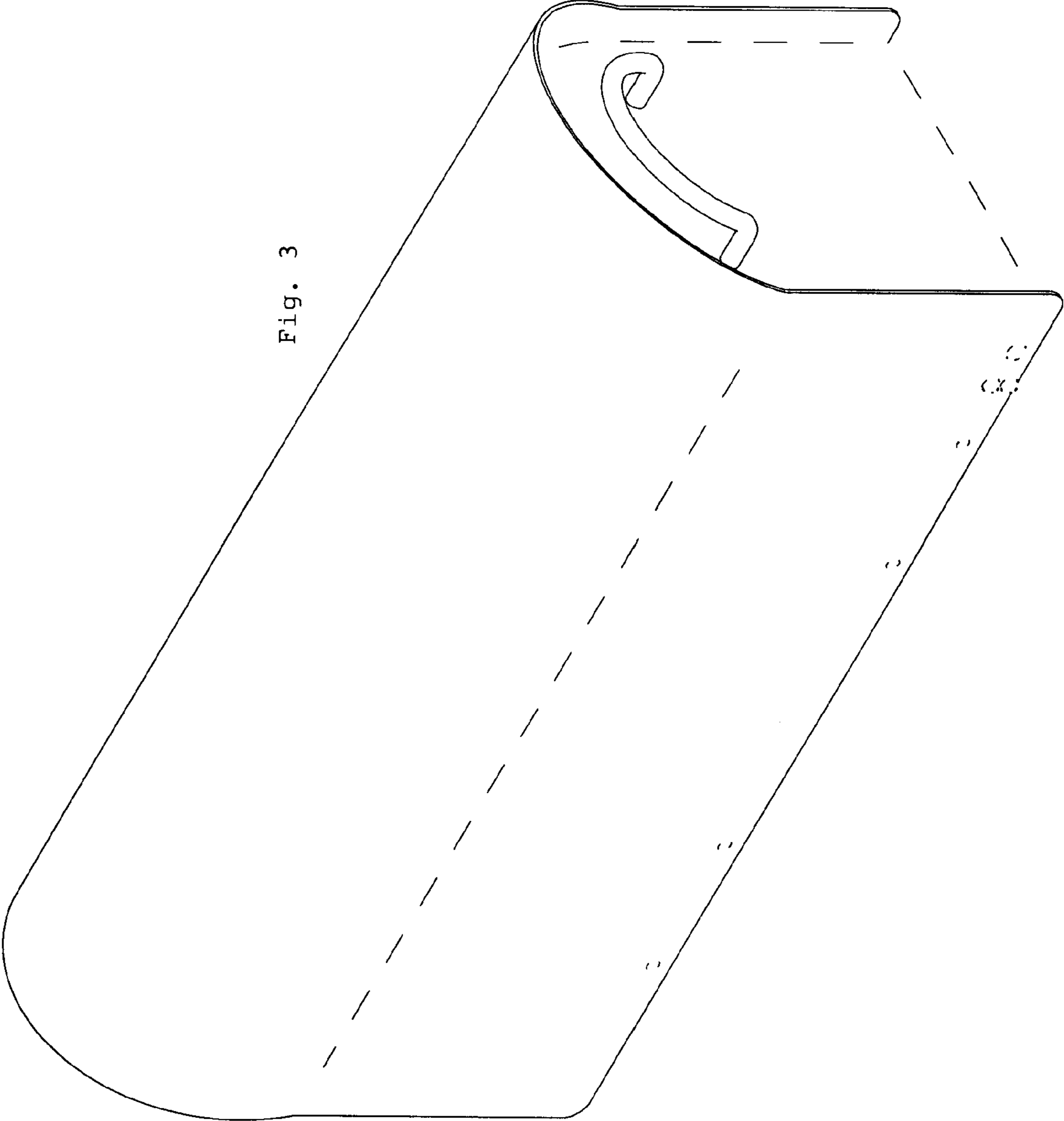


Fig. 3

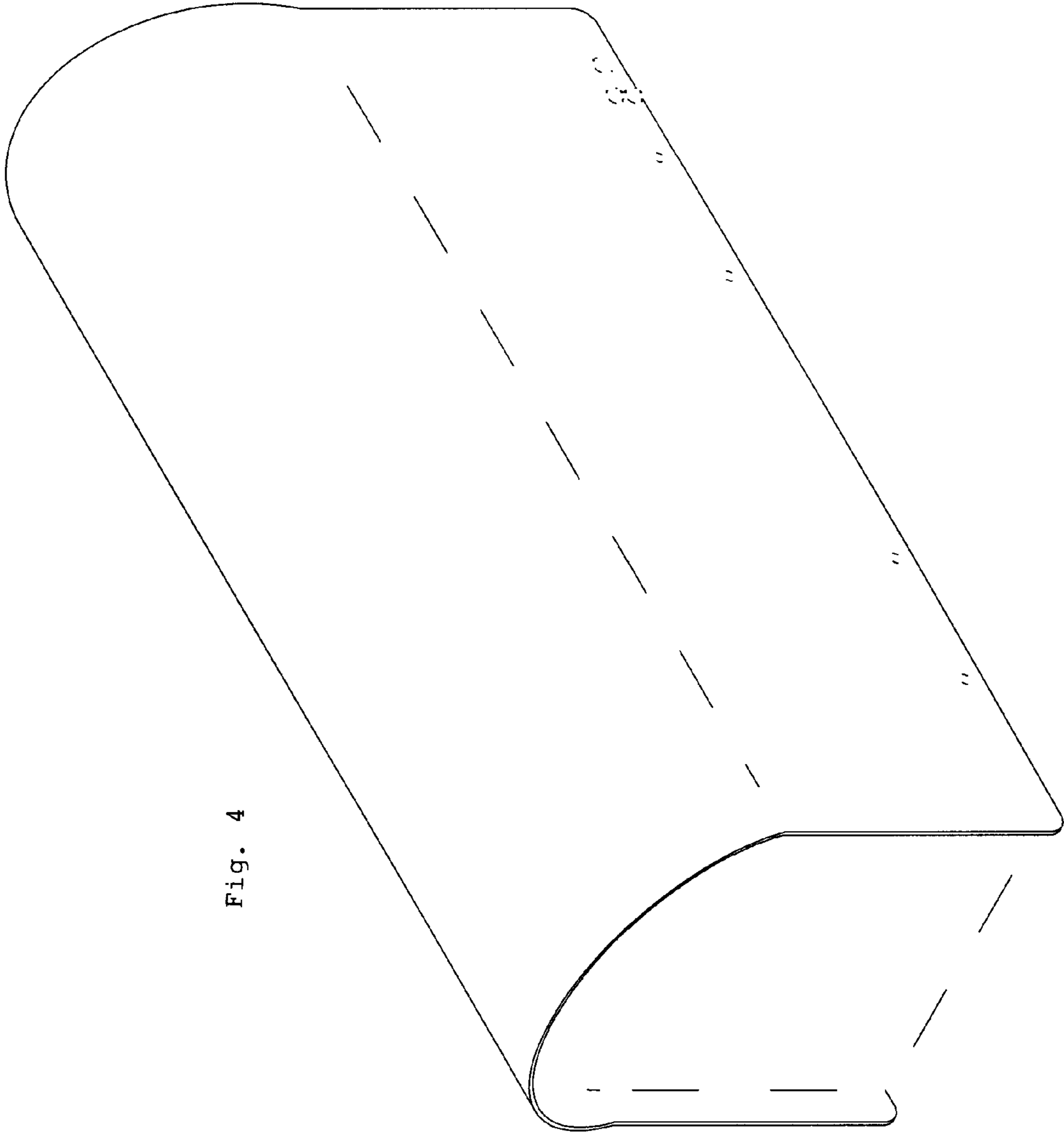


Fig. 4

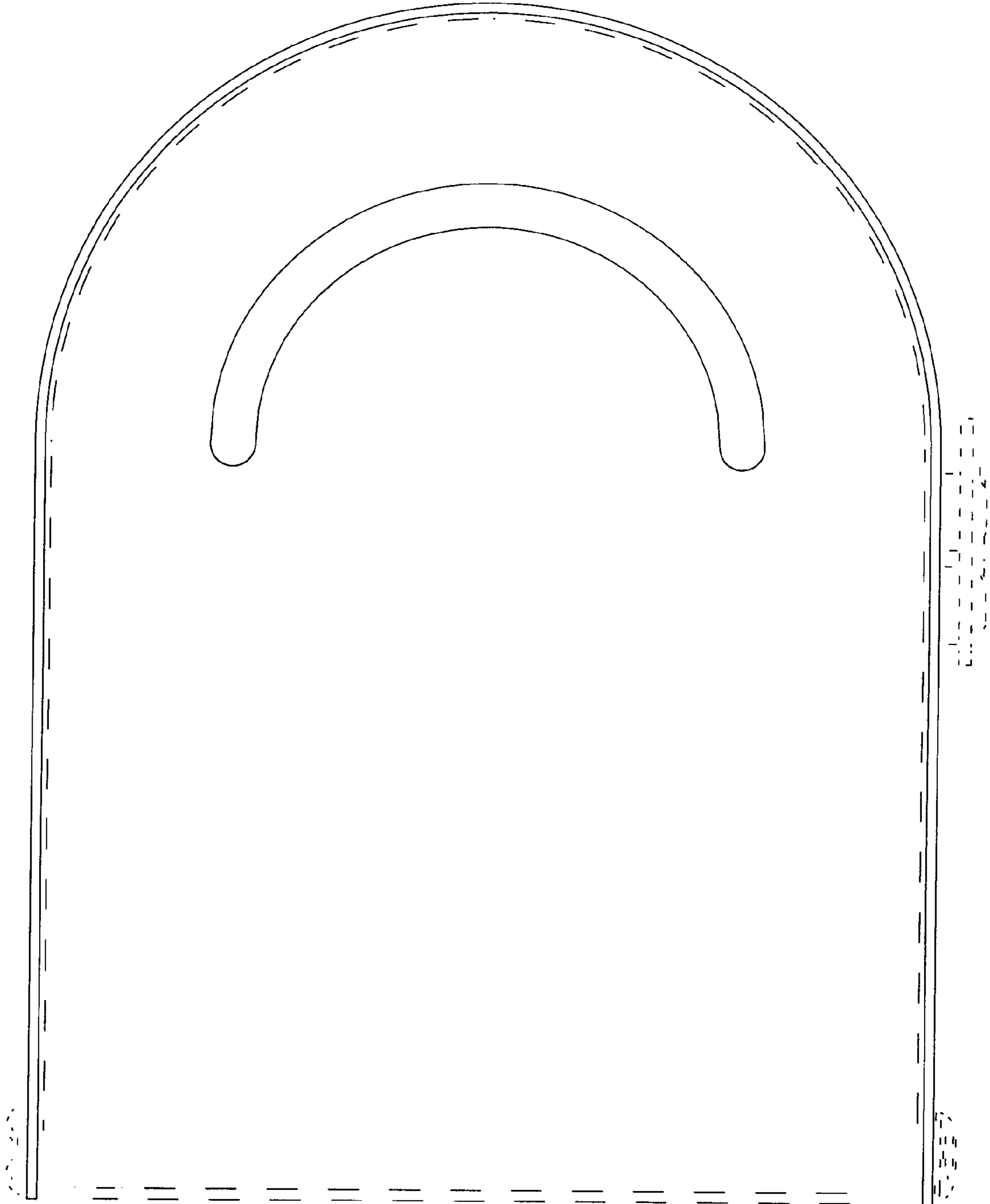


Fig. 5

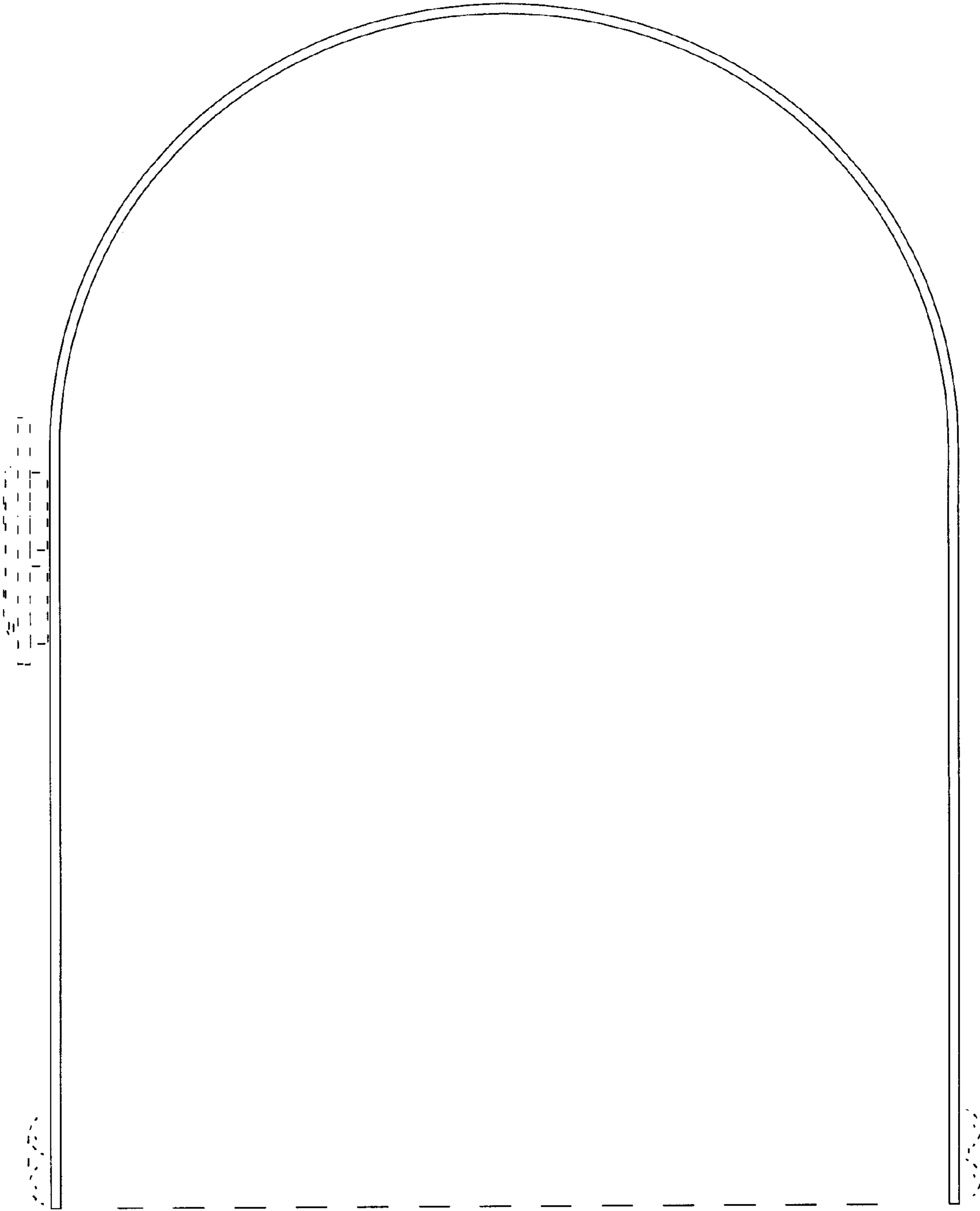


Fig. 6

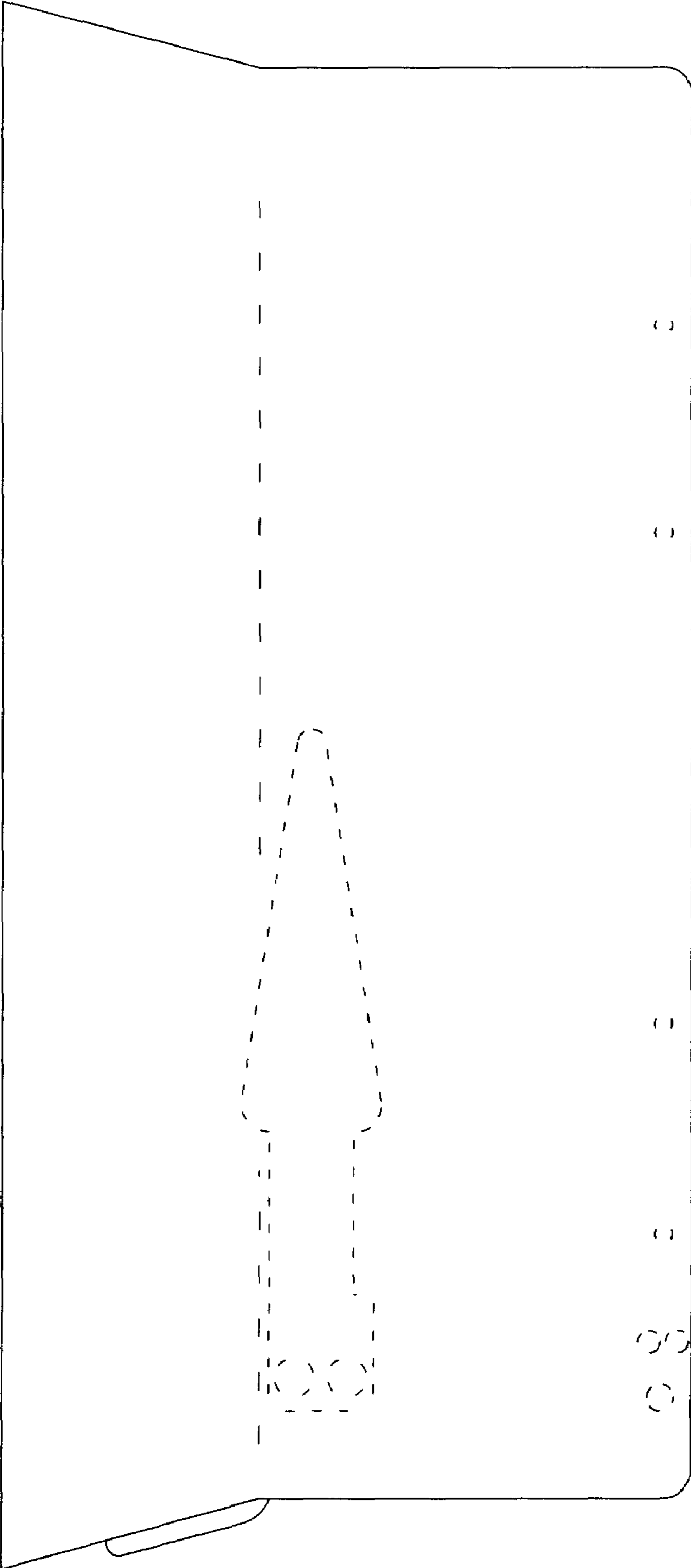


Fig. 7

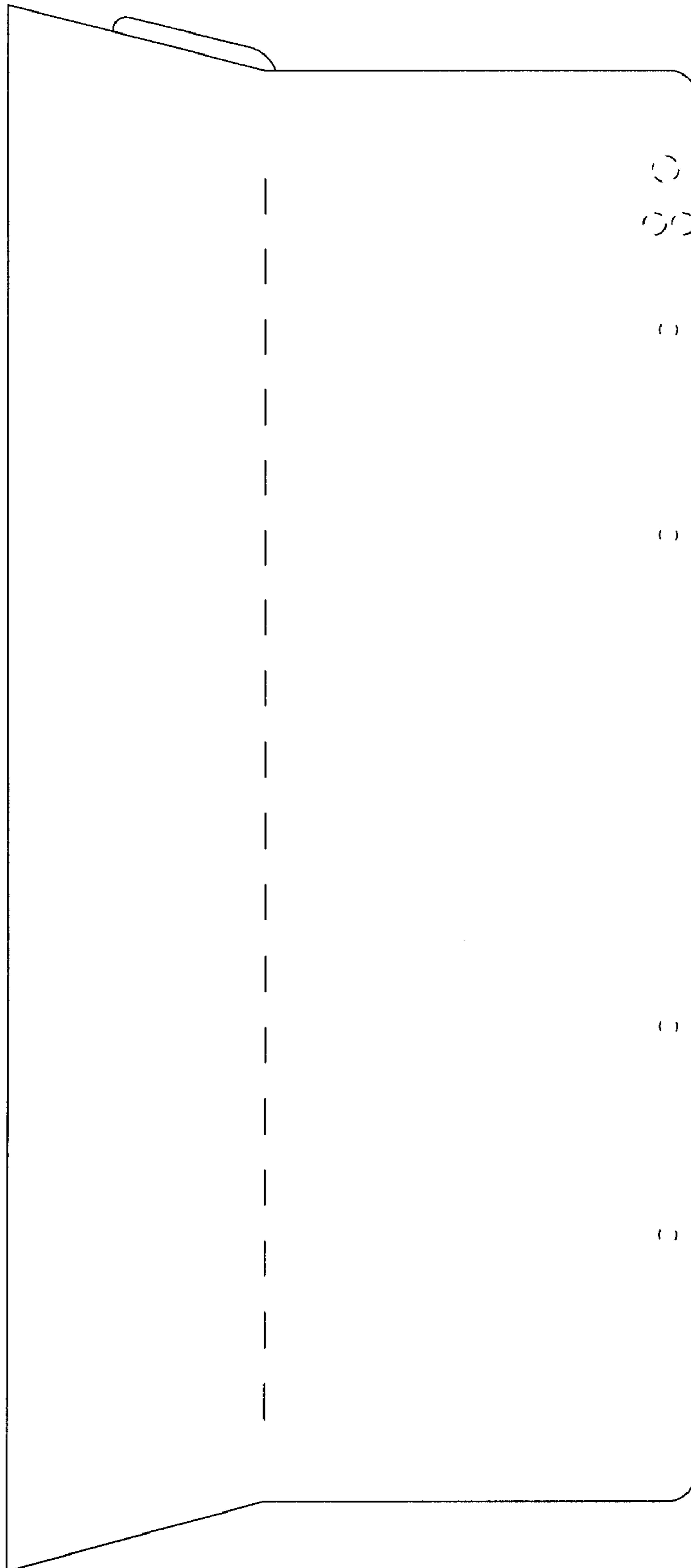


Fig. 8

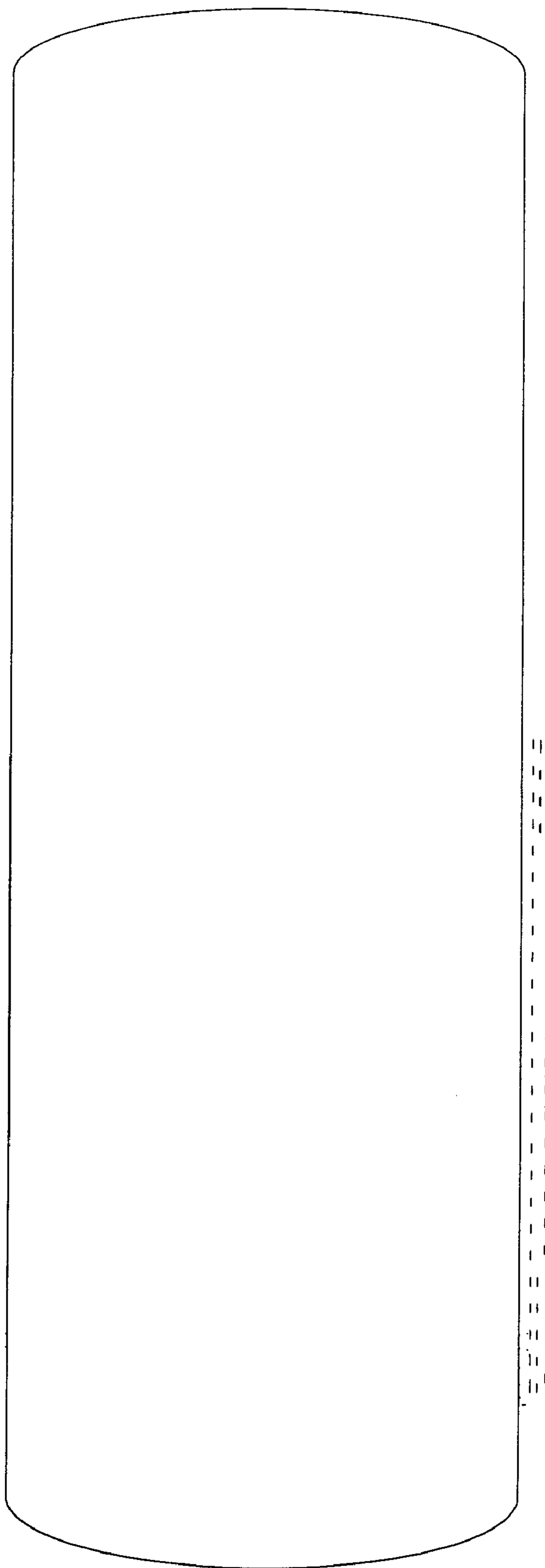


Fig. 9

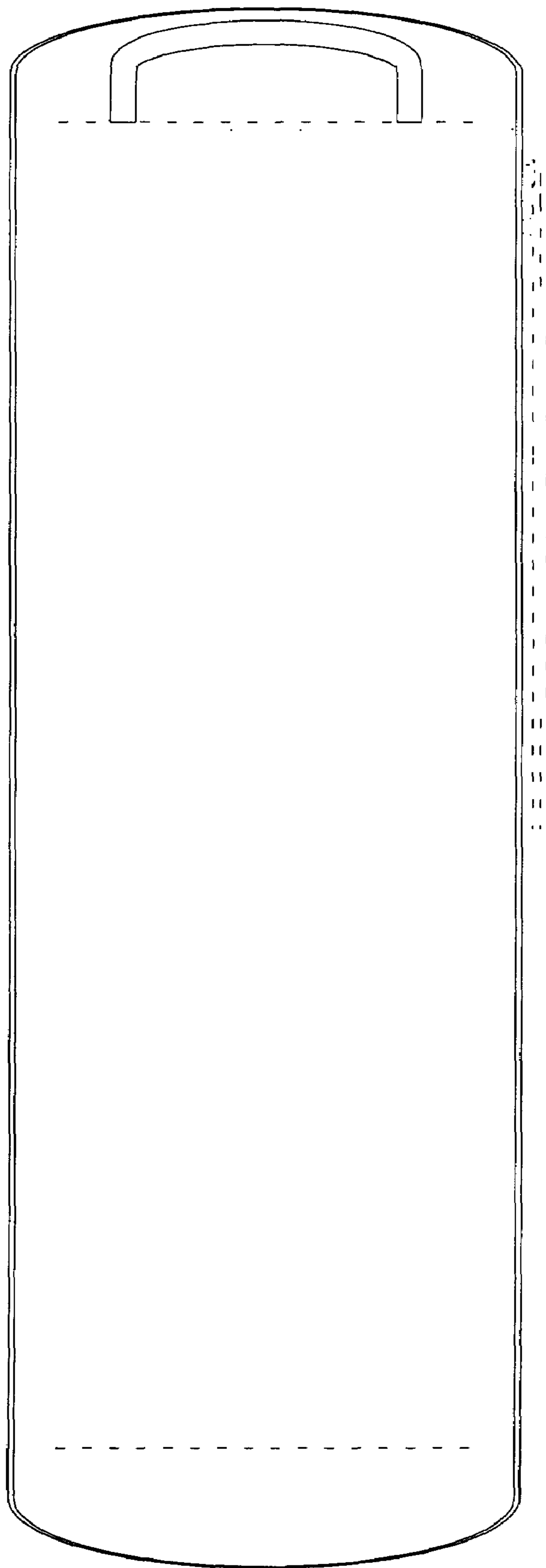


Fig. 10