

US00D580623S

(12) **United States Design Patent**  
**Bowers**

(10) **Patent No.:** **US D580,623 S**

(45) **Date of Patent:** **\*\* Nov. 11, 2008**

(54) **MAILBOX**

4,186,869 A 2/1980 Brown ..... 232/17  
4,413,770 A \* 11/1983 Nye ..... 232/17

(75) Inventor: **John M. Bowers**, Orlando, FL (US)

(73) Assignee: **EuroAsia Products, Inc.**, Orlando, FL (US)

(Continued)

(\*\*) Term: **14 Years**

(21) Appl. No.: **29/272,110**

(22) Filed: **Feb. 1, 2007**

(51) **LOC (8) Cl.** ..... **99-00**

(52) **U.S. Cl.** ..... **D99/29**

(58) **Field of Classification Search** ..... D99/28-33,  
D99/997; 232/17, 21, 28, 33-35, 38-42,  
232/43.1-43.3, 45, 47; 70/150, 160; D8/300-320,  
D8/DIG. 1, 330, 350; D3/270, 272, 294;  
D6/510; 220/501, 830, 930, 826, 836; D25/158,  
D25/160; 404/19; 16/412, 415, 417, 419,  
16/110.1; 292/347

See application file for complete search history.

(56) **References Cited**

**U.S. PATENT DOCUMENTS**

1,037,348 A	9/1912	Smith	
1,136,505 A	4/1915	Razny	
1,690,967 A	11/1928	Cobb	
1,824,881 A	9/1931	Foss	
2,169,855 A	8/1939	Stough	232/41.4
2,437,053 A	3/1948	Swanson	232/25
2,484,718 A	10/1949	McCullar	232/34
D183,625 S *	9/1958	Masso	D99/29
2,960,265 A	11/1960	Simon	232/25
D196,467 S *	10/1963	Alley	D99/29
D200,452 S *	2/1965	Duncan	D99/29
3,208,668 A	9/1965	Dickins, Sr.	232/33
3,722,460 A	3/1973	James, Sr.	116/132
3,733,026 A	5/1973	Rowe et al.	232/35
3,758,027 A	9/1973	Morgan	232/17
3,827,626 A	8/1974	Daigle	232/17
3,874,583 A	4/1975	Moll	232/17

**OTHER PUBLICATIONS**

WDS8509 Handle <http://web.archive.org/web/2061015025610/www.wdsltd.co.uk/Handles=and=hinges/Han...> Oct. 2006.\*

*Primary Examiner*—Robert M. Spear  
*Assistant Examiner*—Susan E Krakower

(74) *Attorney, Agent, or Firm*—Brian S. Steinberger; Law Offices of Brian S. Steinberger, P.A.

(57) **CLAIM**

The ornamental design for a mailbox, as shown and described.

**DESCRIPTION**

FIG. 1 is an upper front right perspective view of a mailbox showing my new design.

FIG. 2 is an upper rear right perspective view of the design of FIG. 1.

FIG. 3 is an upper front left perspective view of the design of FIG. 1.

FIG. 4 is an upper rear left perspective view of the design of FIG. 1.

FIG. 5 is an enlarged front end view of the design of FIG. 1.

FIG. 6 is an enlarged rear end view of the design of FIG. 1.

FIG. 7 is a right side view of the design of FIG. 1.

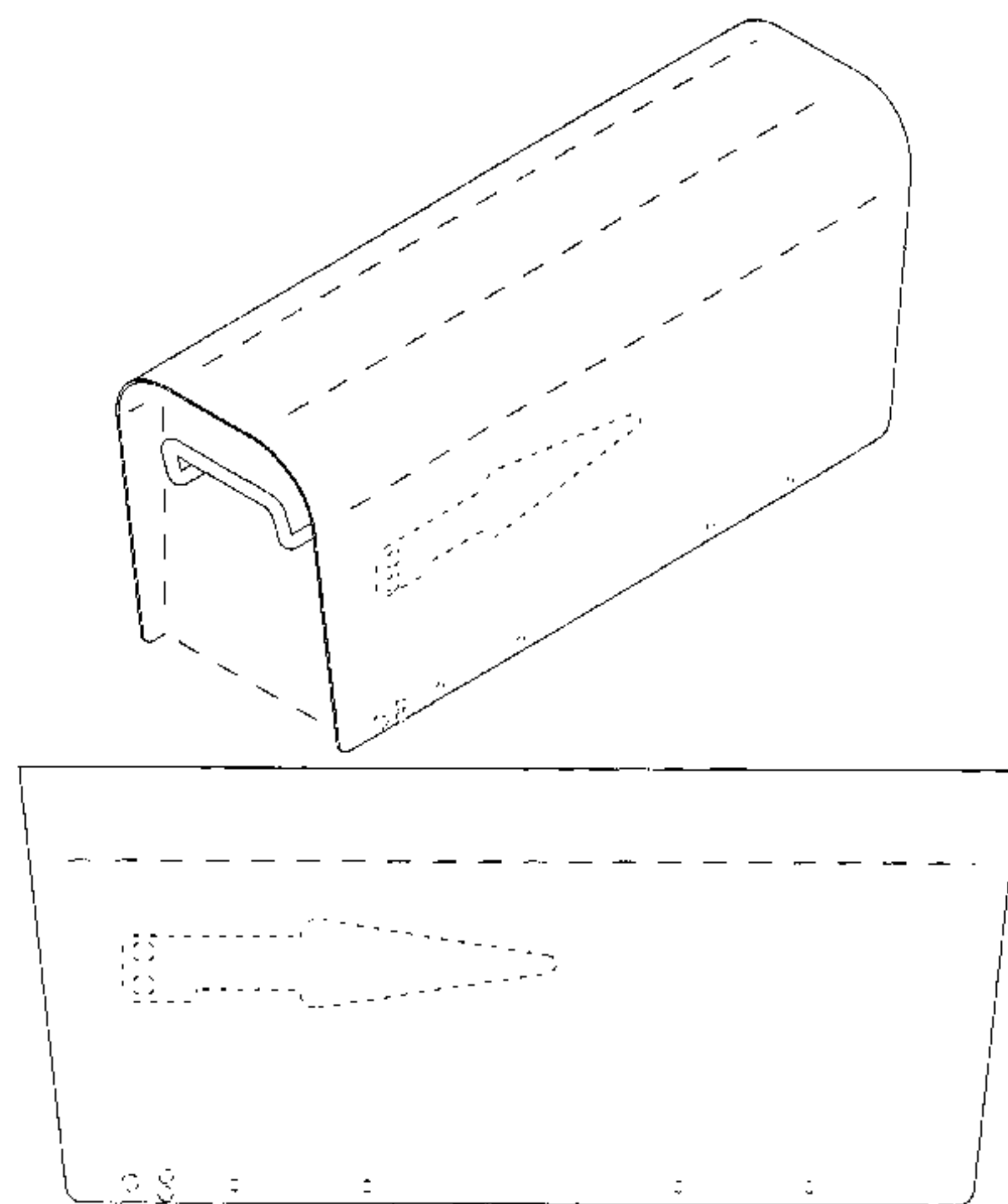
FIG. 8 is a left side view of the design of FIG. 1.

FIG. 9 is a top view of the design of FIG. 1; and,

FIG. 10 is a bottom view of the design of FIG. 1.

The broken lines showing the fasteners, mounting holes, bottom frame support and flag represent environmental components of the mailbox and form no part of the claimed design.

**1 Claim, 10 Drawing Sheets**



# US D580,623 S

Page 2

## U.S. PATENT DOCUMENTS

4,901,913	A	2/1990	Fischer	232/17	6,234,388	B1	5/2001	Taylor	232/47
4,905,892	A	3/1990	Fischer	232/17	6,244,505	B1	6/2001	Grimes et al.	232/47
D320,334	S *	10/1991	Clancy	D8/301	D452,130	S *	12/2001	Richardson	D8/319
D340,179	S *	10/1993	Mirick et al.	D8/301	D467,784	S *	12/2002	Maier	D8/301
D340,398	S *	10/1993	Clancy	D8/302	D467,785	S *	12/2002	Tsai	D8/320
5,339,980	A	8/1994	Stutler	220/571	D474,563	S *	5/2003	Bresciani	D29/109
D384,266	S *	9/1997	Mantarakis et al.	D8/301	6,641,186	B2 *	11/2003	Tsai	292/357
D384,568	S *	10/1997	Mantarakis et al.	D8/301	6,772,939	B1	8/2004	Simpson	232/38
D397,604	S *	9/1998	Libby et al.	D8/301	D503,504	S *	3/2005	Taylor et al.	D99/29
5,807,021	A *	9/1998	Aaron	404/19	6,946,184	B2 *	9/2005	Robbins, III	428/120
5,921,117	A	7/1999	Illguth	70/159	D546,160	S *	7/2007	Reithmeyer	D8/301
D423,321	S *	4/2000	Maier	D8/302	D560,871	S *	1/2008	Zhang	D34/31
D431,994	S *	10/2000	Libby et al.	D8/301	2002/0059691	A1	5/2002	Audisio	16/374
D438,363	S *	2/2001	Lackey et al.	D99/29	2008/0035720	A1 *	2/2008	Bolles	232/19

\* cited by examiner

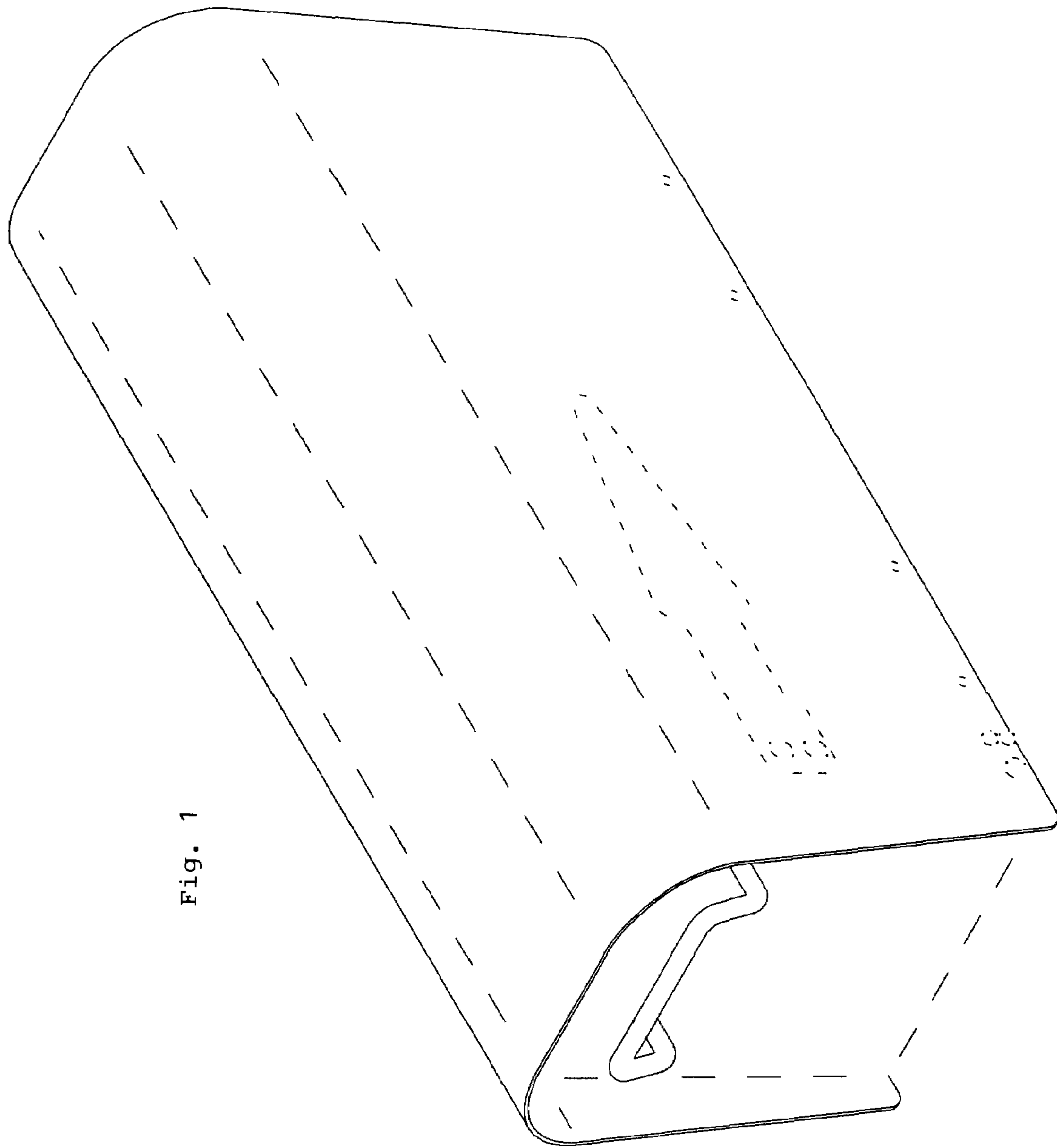
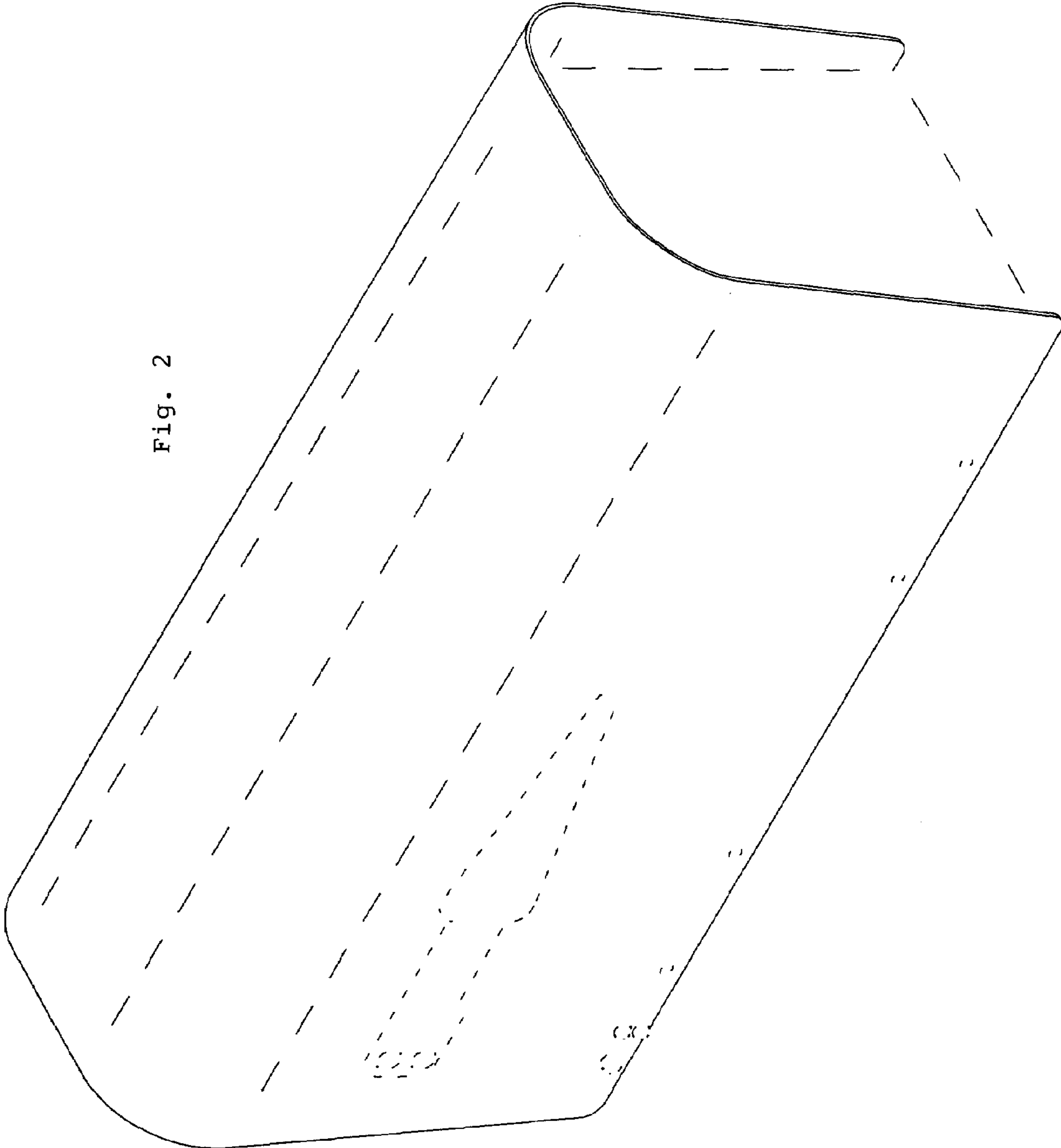


Fig. 1

Fig. 2



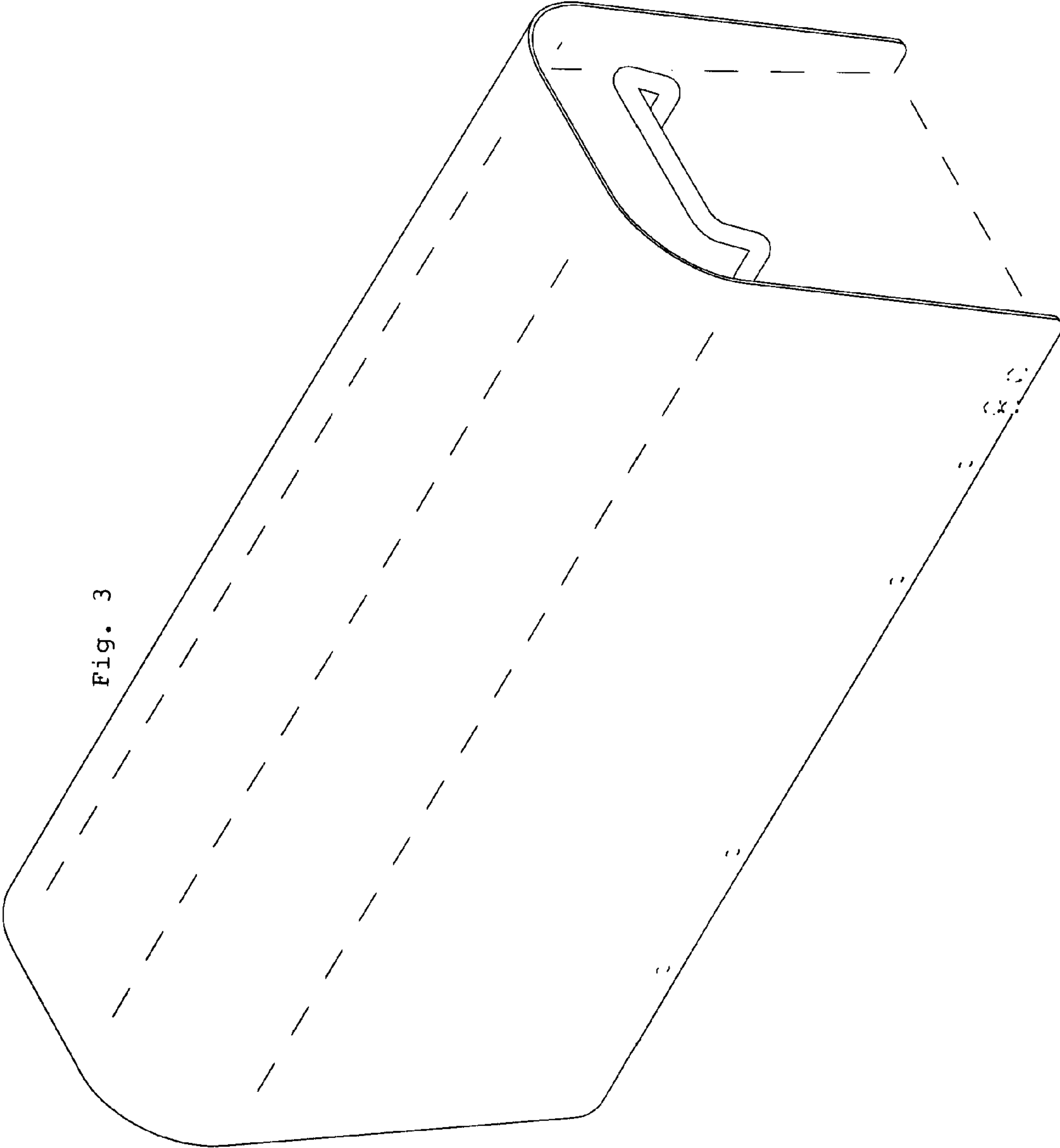


Fig. 3

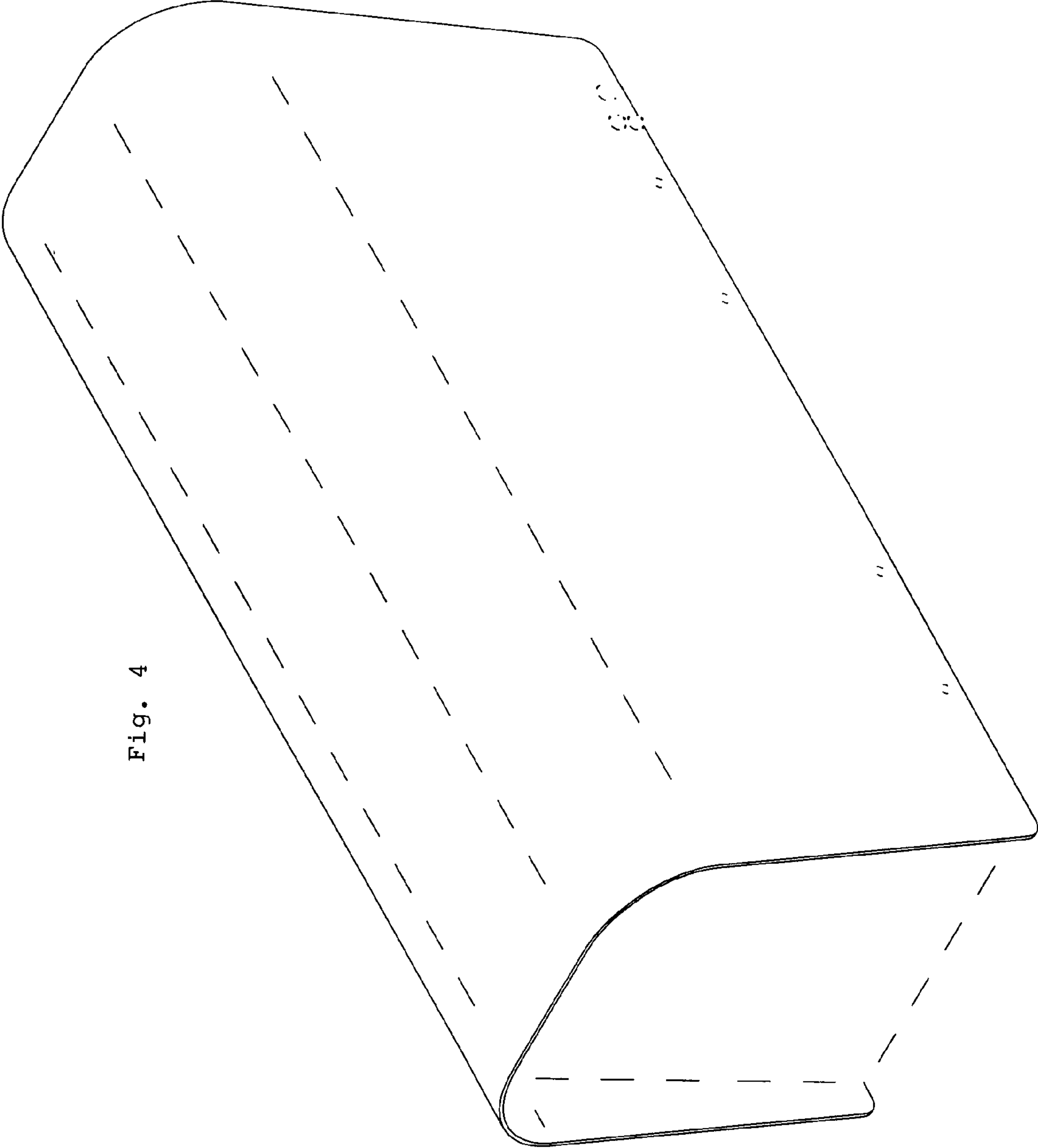


Fig. 4

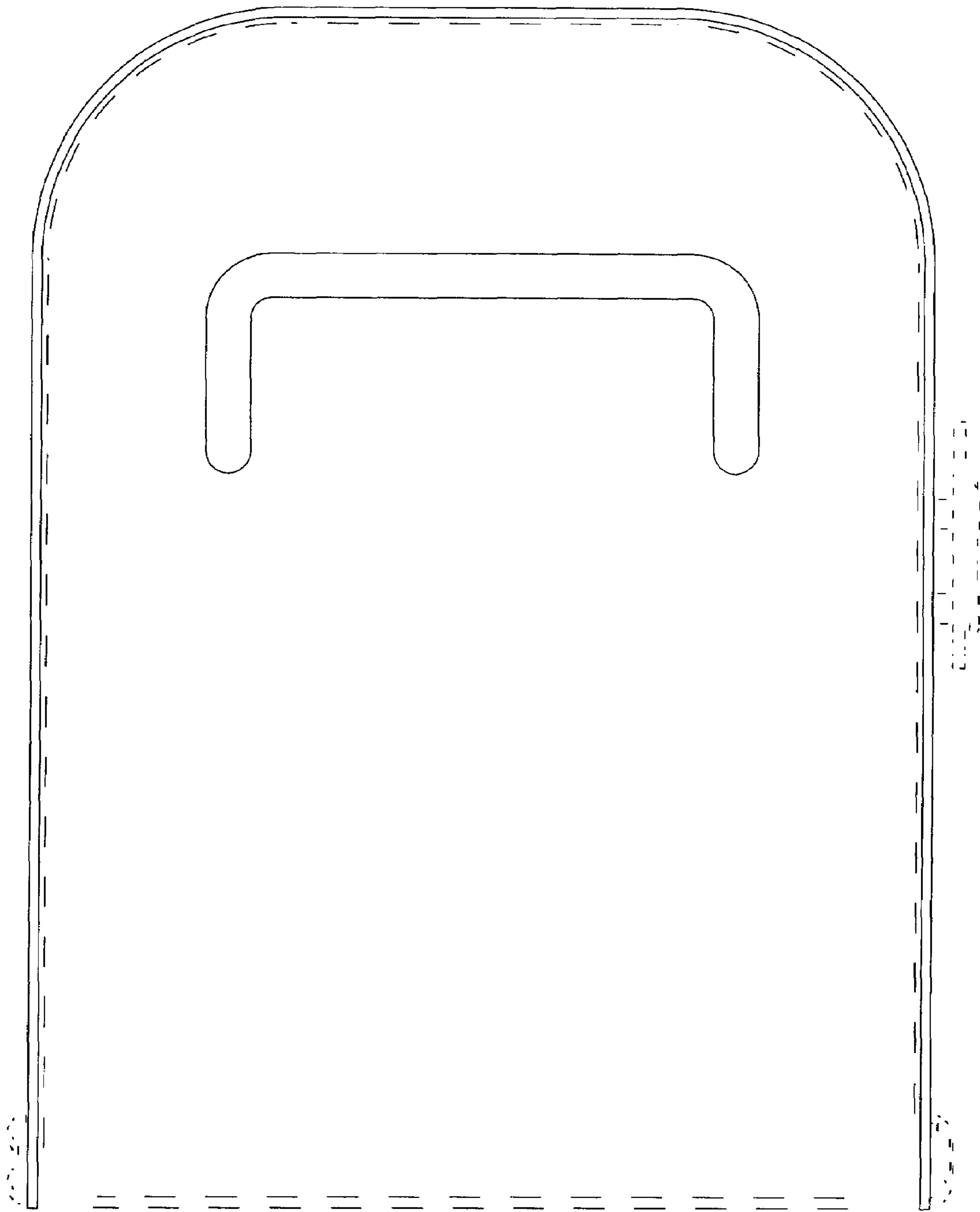


Fig. 5

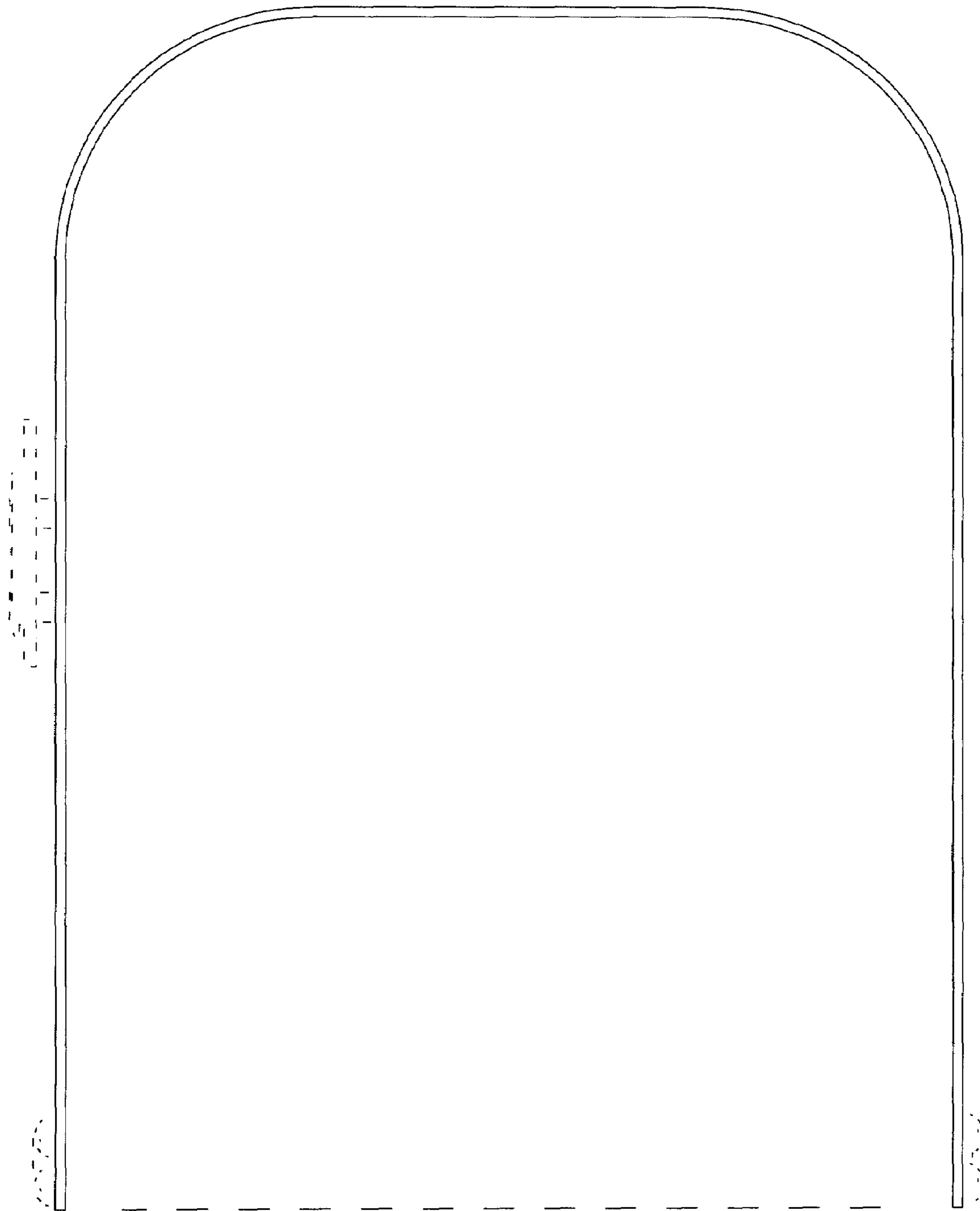


Fig. 6



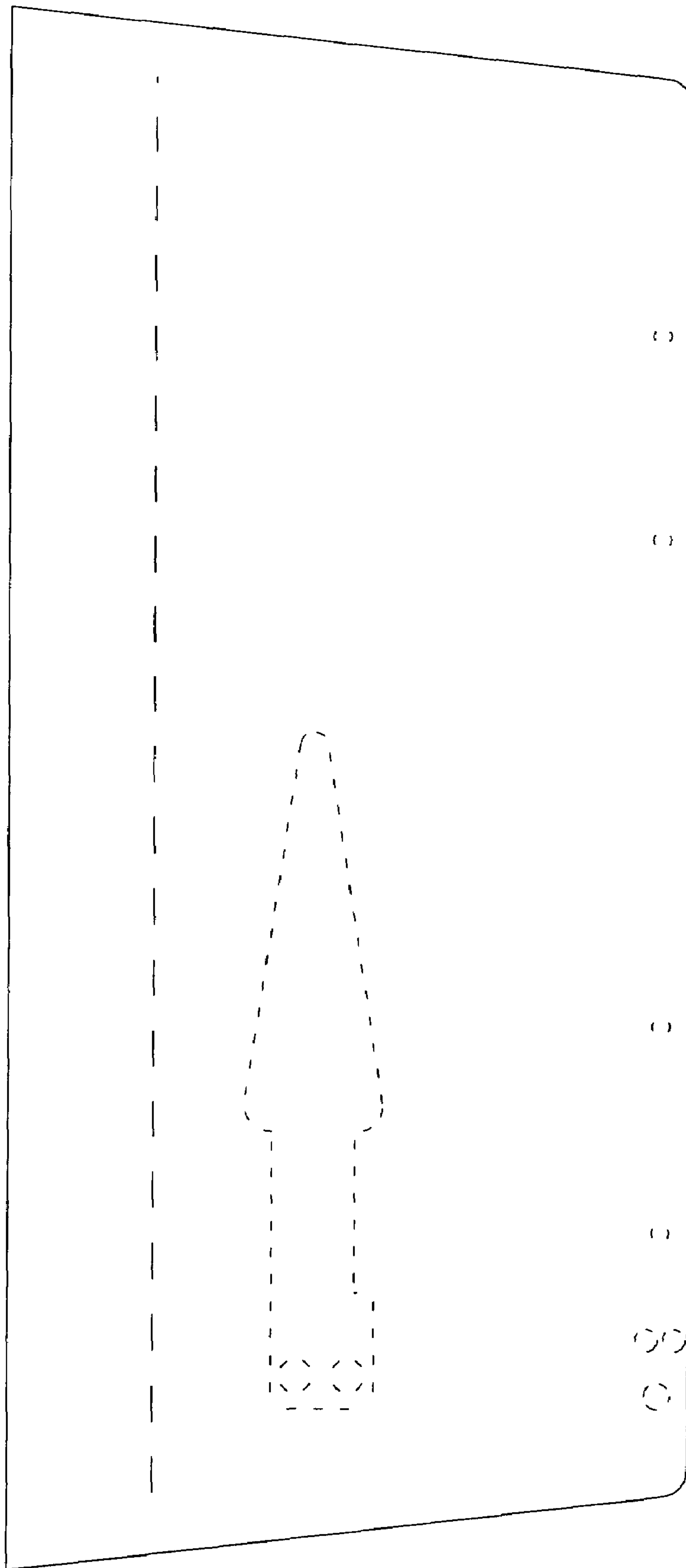


Fig. 7

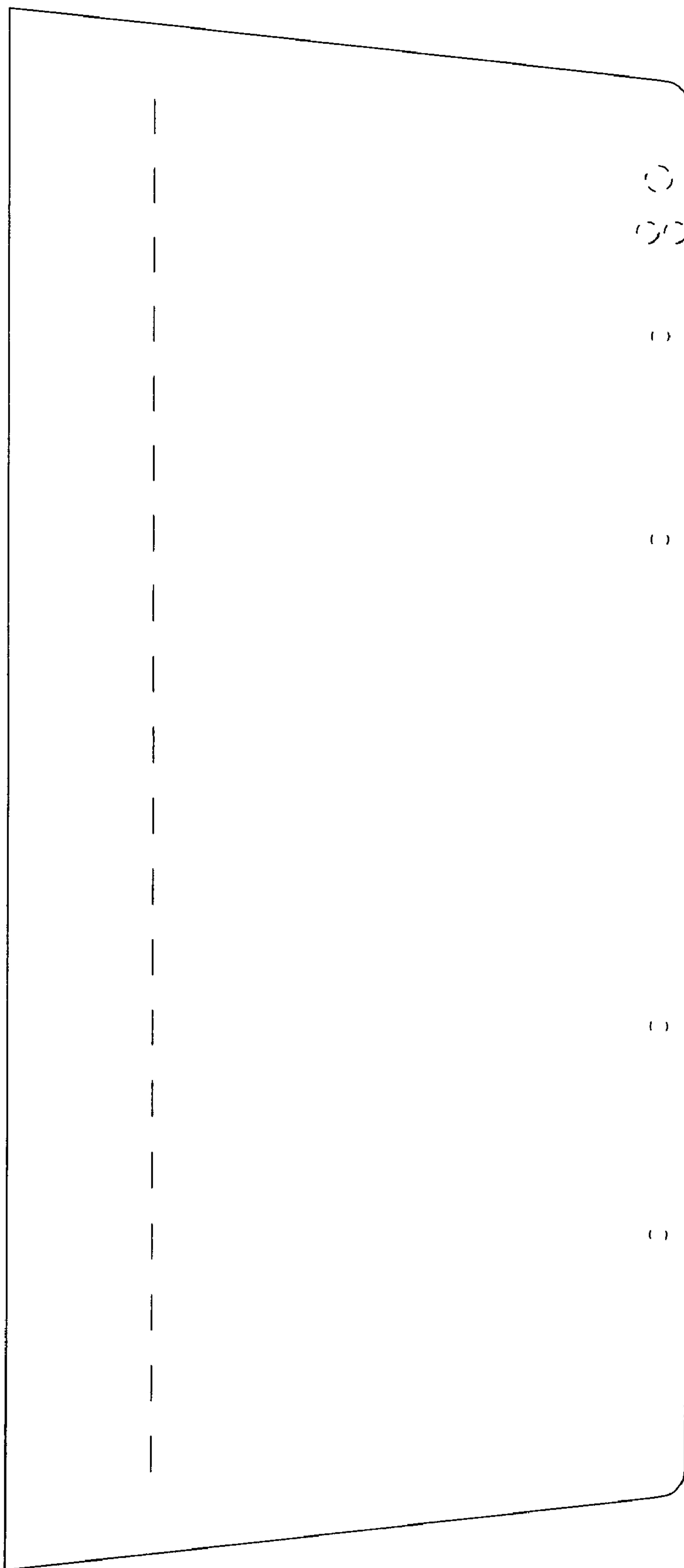


Fig. 8

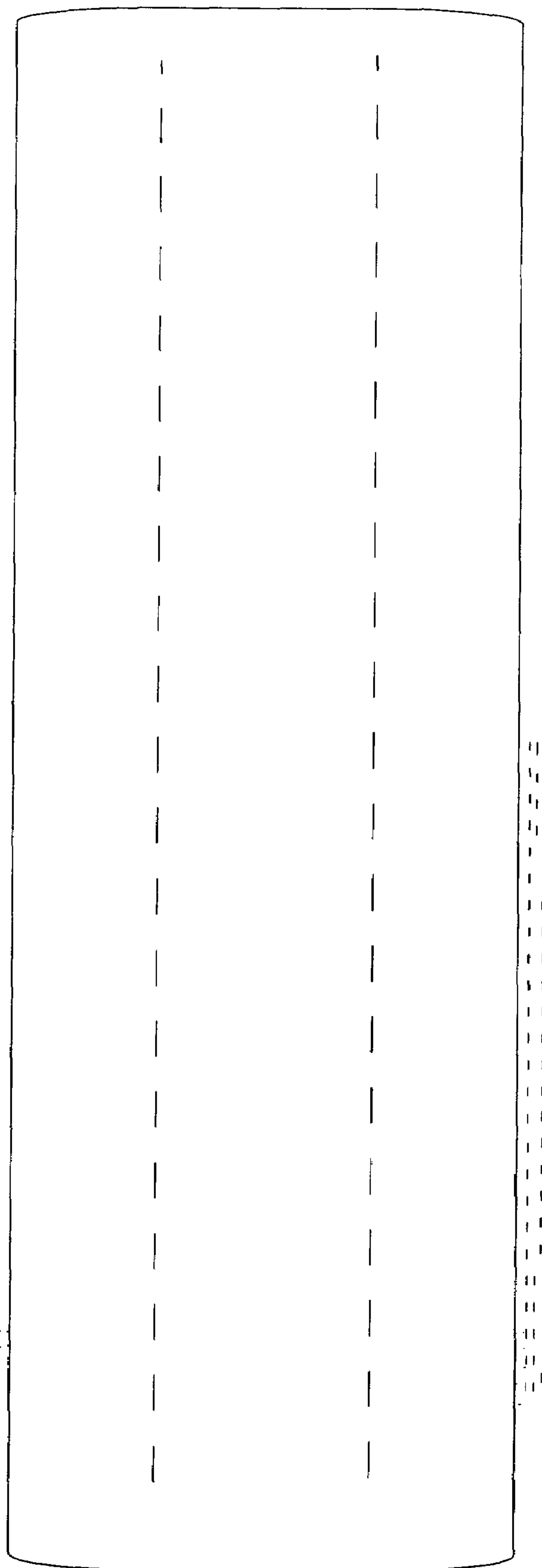


Fig. 9

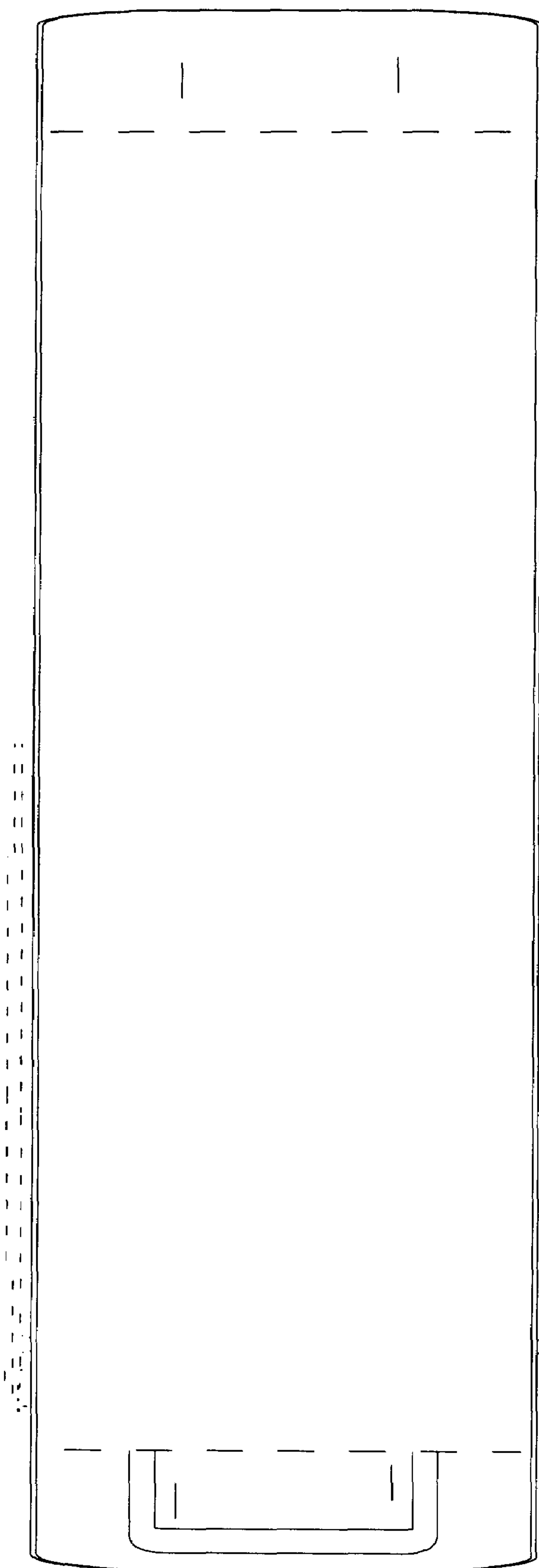


Fig. 10