



US00D580622S

(12) **United States Design Patent**  
**Houde**

(10) **Patent No.:** **US D580,622 S**

(45) **Date of Patent:** **\*\* Nov. 11, 2008**

(54) **CASKET**

(75) **Inventor:** **Jean-Francois Houde**, Laurier-Station (CA)

(73) **Assignee:** **Cercueils Concept, Inc.**, Quebec (CA)

(\*\*) **Term:** **14 Years**

(21) **Appl. No.:** **29/303,307**

(22) **Filed:** **Feb. 6, 2008**

(51) **LOC (8) Cl.** ..... **99-00**

(52) **U.S. Cl.** ..... **D99/8**

(58) **Field of Classification Search** ..... D99/1-24;  
27/2-10, 14, 27, 30, 35; D5/23, 43, 46, 50,  
D5/54, 369, 370; 144/333

See application file for complete search history.

(56) **References Cited**

**U.S. PATENT DOCUMENTS**

D68,124 S *	9/1925	Strunk	.....	D99/7
D88,017 S *	10/1932	Willheim	.....	D5/46
2,269,321 A *	1/1942	Scheuer	.....	442/203
RE22,925 E *	10/1947	Rasero	.....	139/384 A
2,886,697 A *	5/1959	Pomeroy	.....	362/148
2,925,650 A *	2/1960	Pall	.....	29/896.62
4,592,395 A *	6/1986	Borel	.....	139/383 A
D288,256 S *	2/1987	Beardsley	.....	D99/7
D374,961 S *	10/1996	Richardson	.....	D99/3
D417,057 S *	11/1999	Jeffers	.....	D99/7
D420,194 S *	2/2000	Cummings	.....	D99/1
6,857,141 B1 *	2/2005	Jackson et al.	.....	4/650

D551,449 S *	9/2007	Caspe	.....	D3/265
D572,926 S *	7/2008	Lowsky	.....	D6/369
2005/0125974 A1 *	6/2005	Ozbun	.....	27/19

\* cited by examiner

*Primary Examiner*—Cathron Brooks

*Assistant Examiner*—Michael A Pratt

(74) *Attorney, Agent, or Firm*—Sutherland Asbill & Brennan LLP

(57) **CLAIM**

The ornamental design for a casket, as shown and described.

**DESCRIPTION**

FIG. 1 is a perspective view of the casket showing my new invention, the portion shown in dashed lines are for purposes of showing the background and do not form part of my invention;

FIG. 2 is a left-side view thereof, the right-side view being identical to the left-side view;

FIG. 3 is a front view thereof, the rear view being identical to the front view;

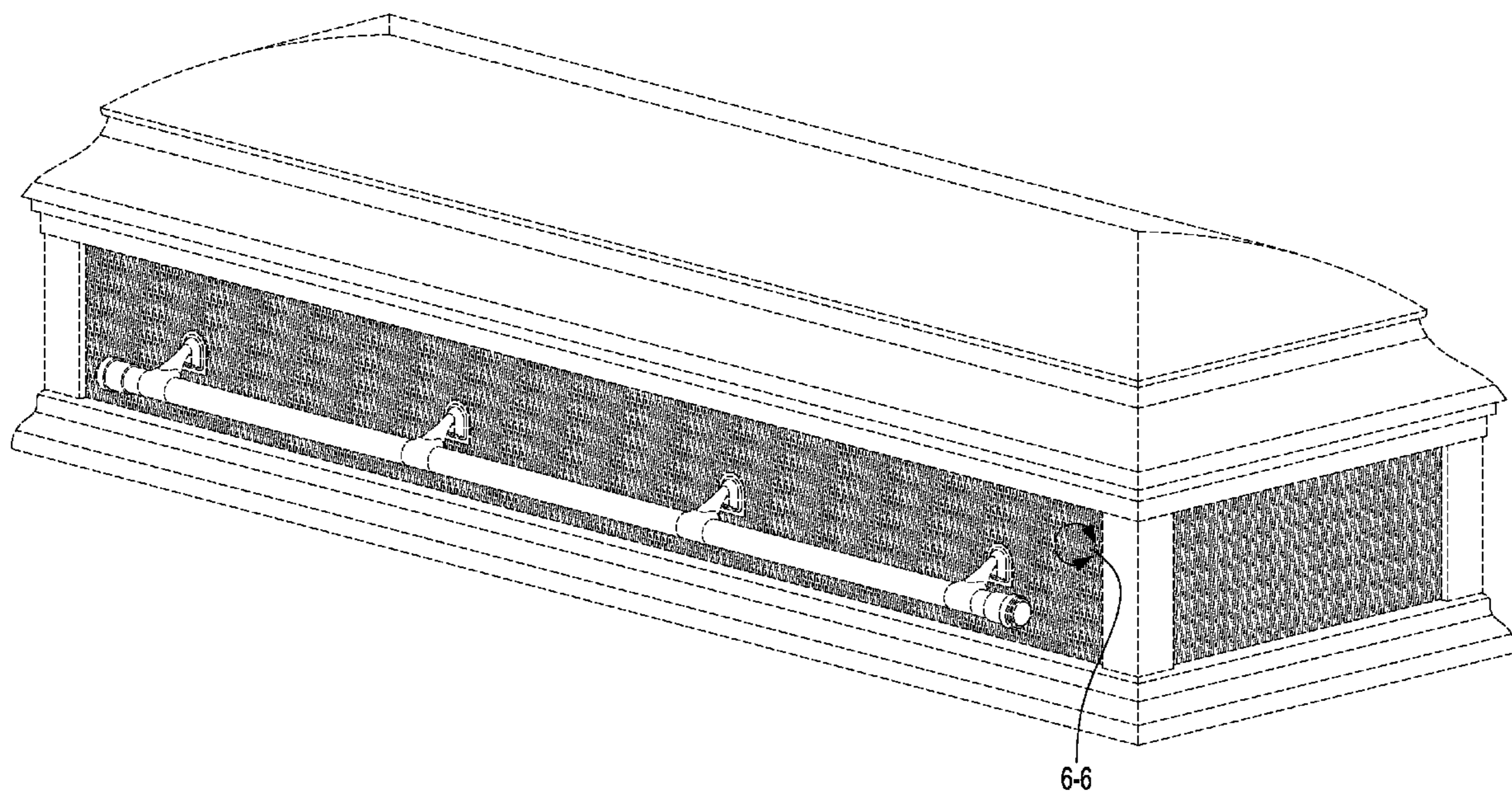
FIG. 4 is a top view thereof;

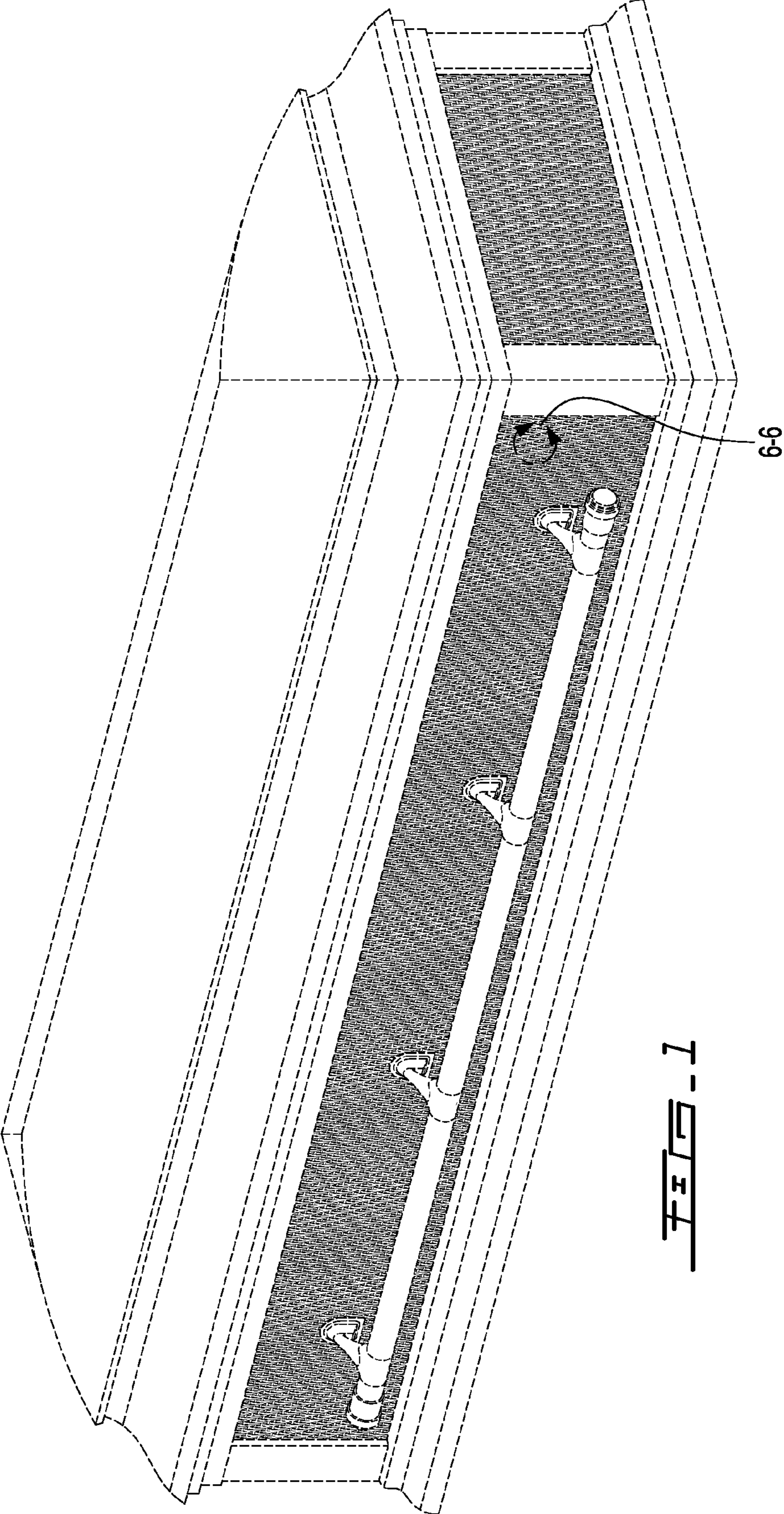
FIG. 5 is a bottom view thereof;

FIG. 6 is an enlarged fragmented view taken along lines 6-6 of FIG. 1; and,

FIG. 7 is an enlarged fragmented view taken along lines 7-7 of FIG. 1.

**1 Claim, 6 Drawing Sheets**





**FIG. 1**



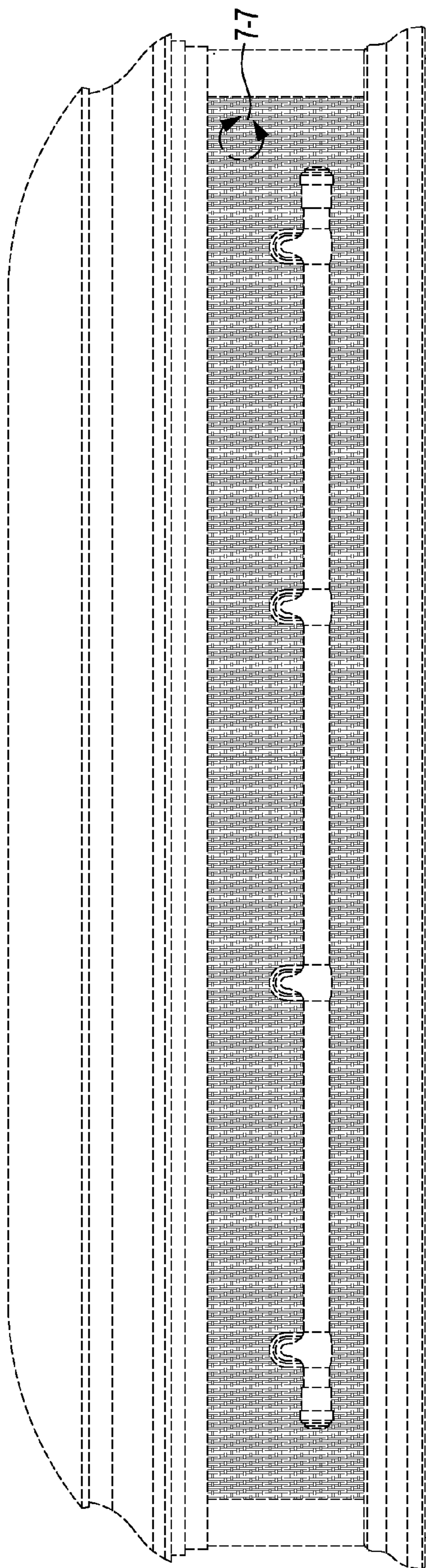


FIG. 2

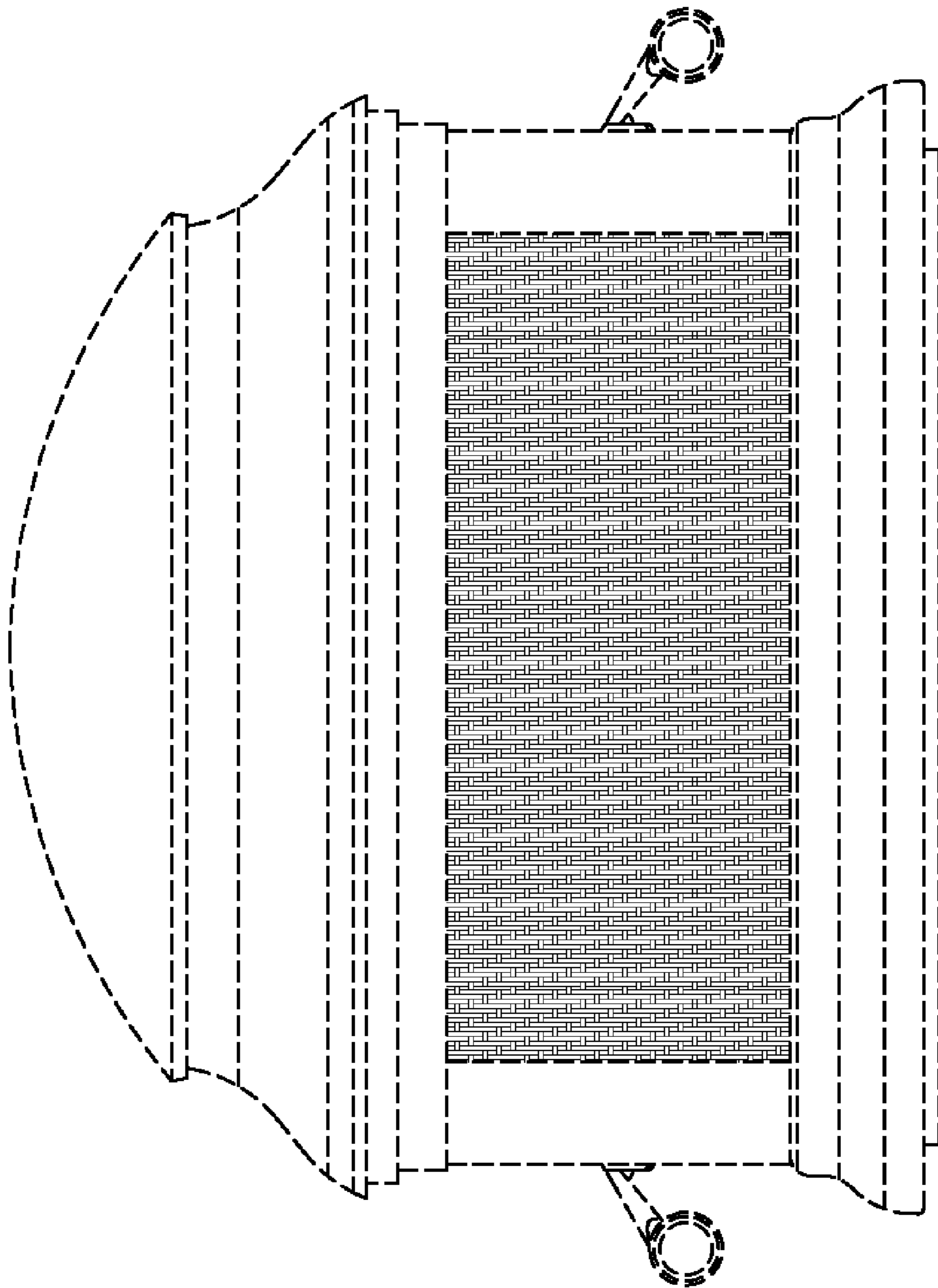


FIG. 3

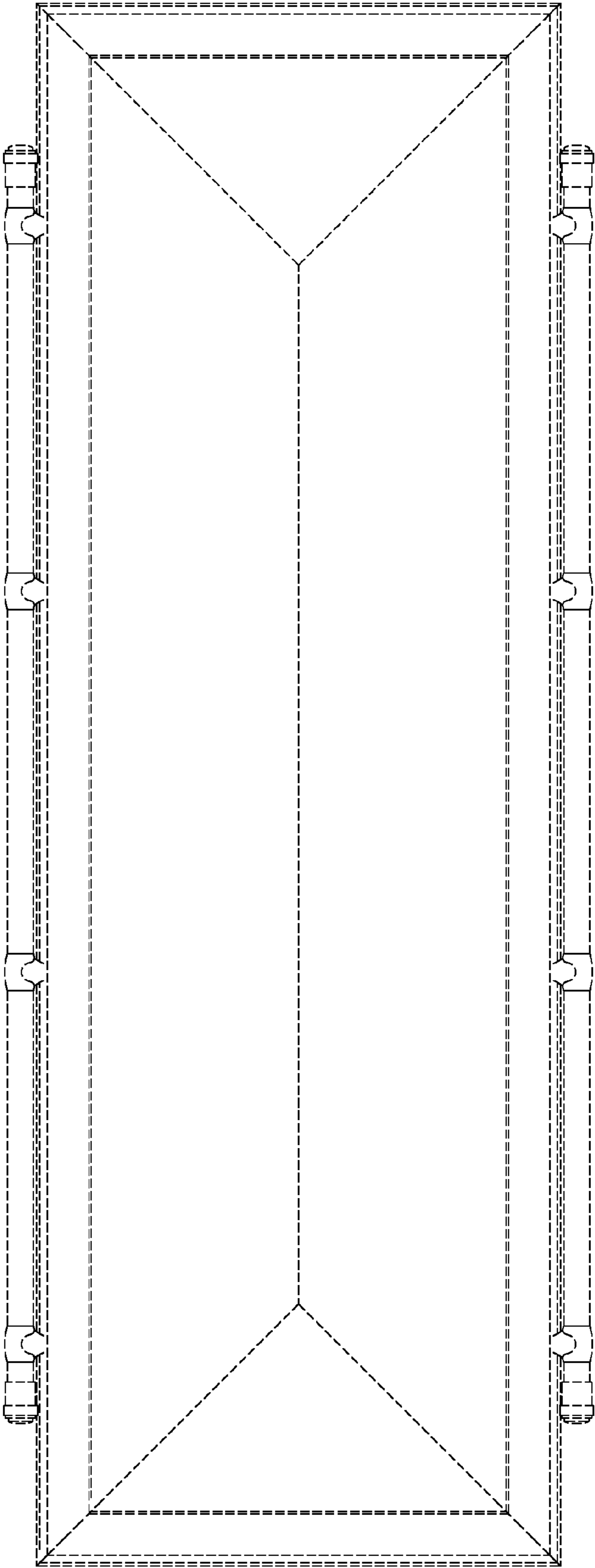


FIG. 4

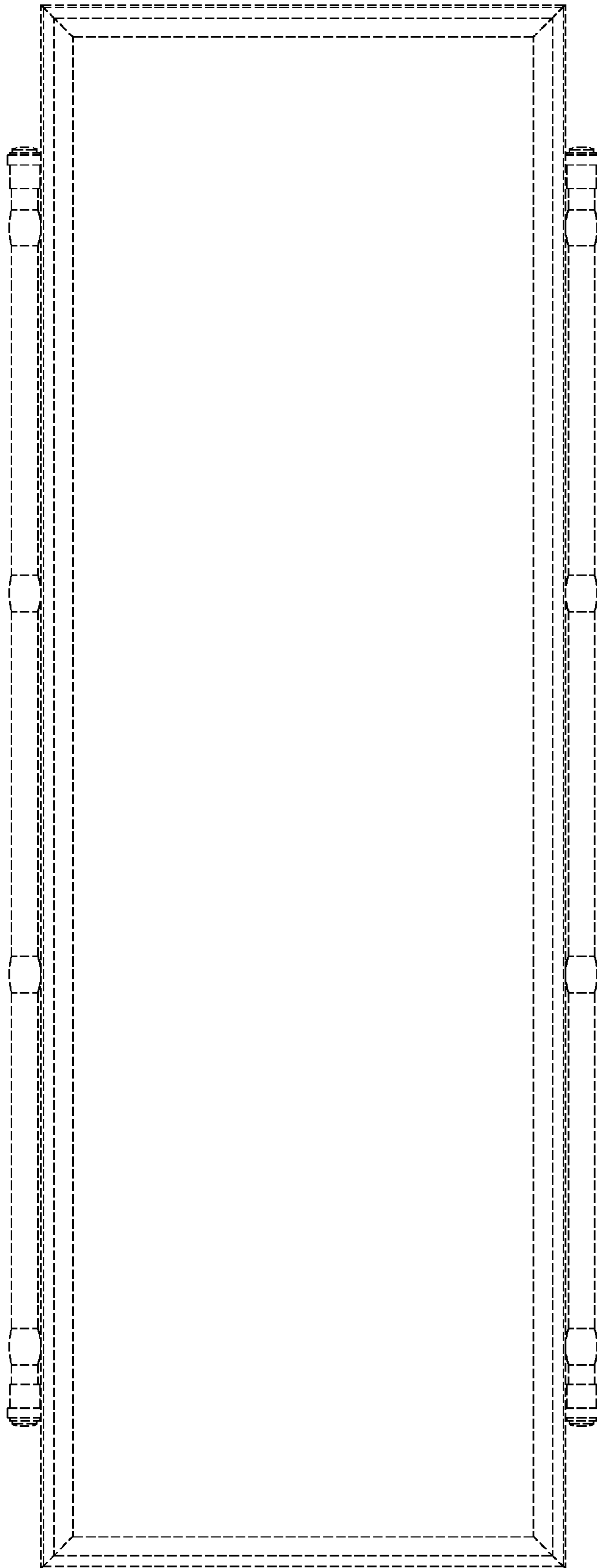


FIG. 5

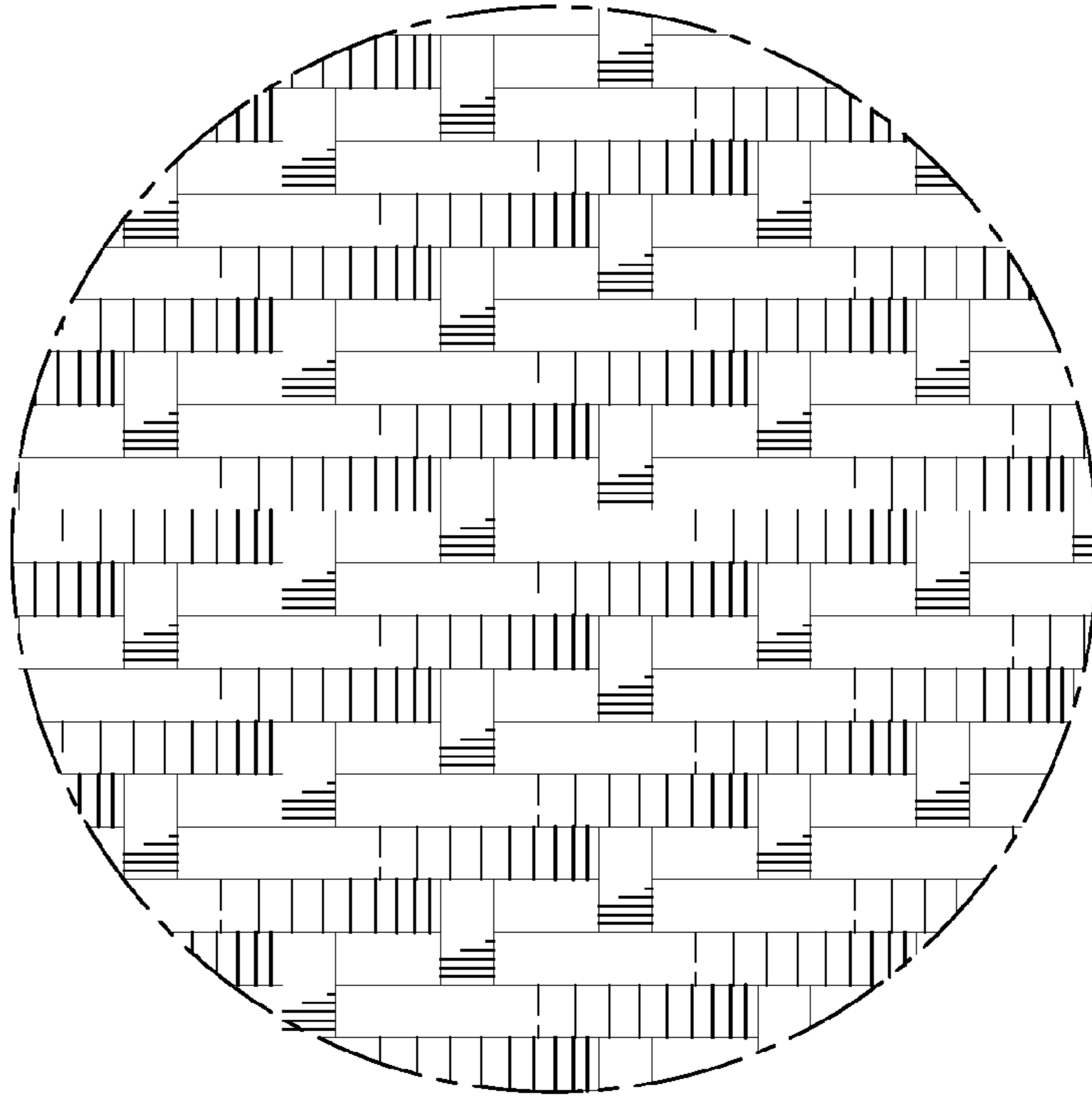


FIG. 7

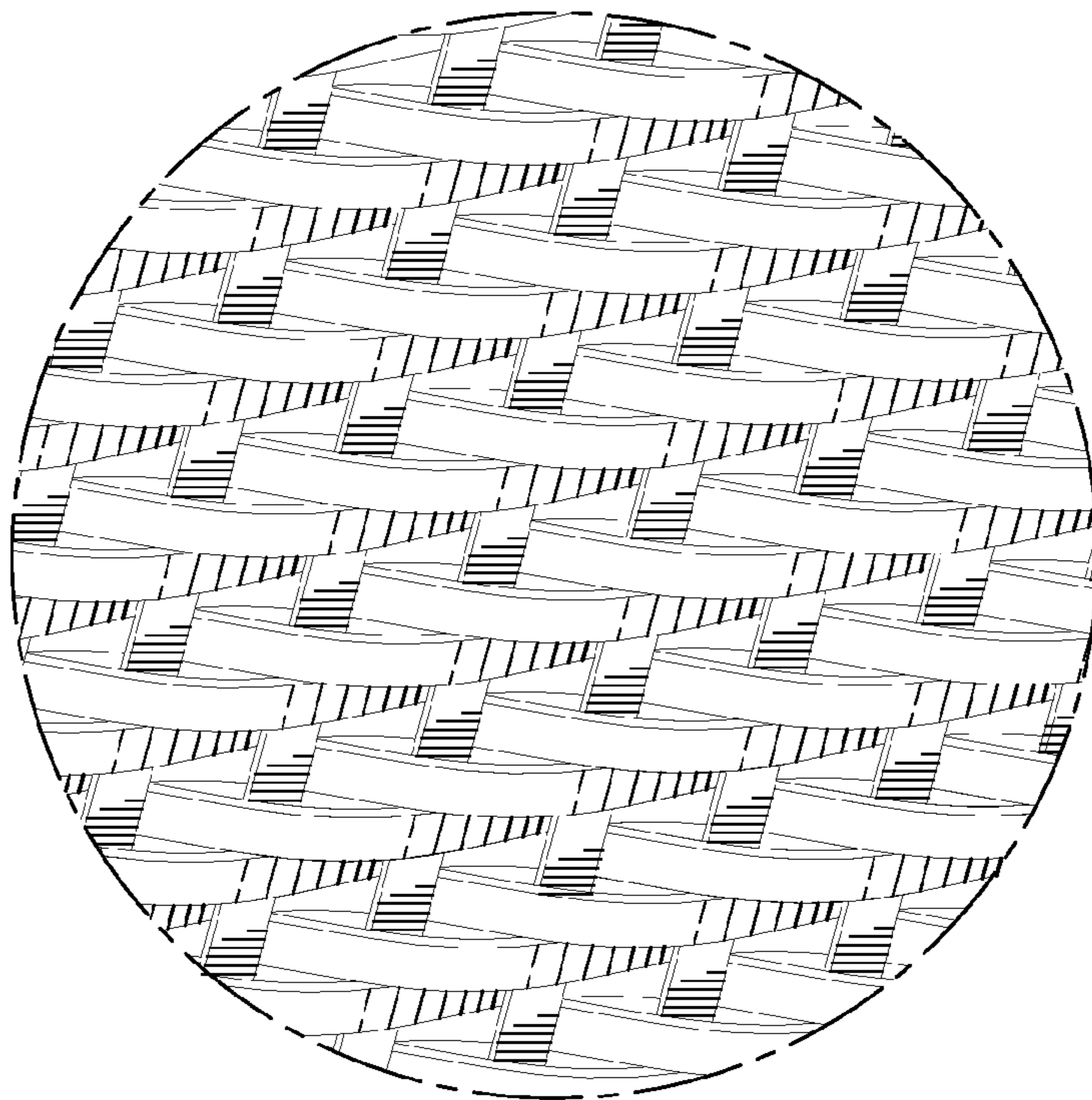


FIG. 8