



US00D580617S

(12) **United States Design Patent**
Walter

(10) **Patent No.:** **US D580,617 S**
(45) **Date of Patent:** **** Nov. 11, 2008**

(54) **CART**

2003/0151219 A1* 8/2003 Simard 280/47.35

(75) Inventor: **Ivor Michel Walter**, Boulder, CO (US)

(73) Assignee: **AMSA, Inc.**, Boulder, CO (US)

(**) Term: **14 Years**

(21) Appl. No.: **29/296,071**

(22) Filed: **Oct. 12, 2007**

(51) **LOC (8) Cl.** **12-02**

(52) **U.S. Cl.** **D34/12**

(58) **Field of Classification Search** D34/12-27;
280/33.996, 33.991, 33.992, 33.995, 33.997

See application file for complete search history.

(56) **References Cited**

U.S. PATENT DOCUMENTS

2,764,419	A	9/1956	Enders	
3,039,564	A *	6/1962	Shaukis	186/63
3,337,227	A	8/1967	Castaldo	
3,429,403	A *	2/1969	Zandell et al.	186/63
D246,301	S	11/1977	Trubiano	
D280,858	S *	10/1985	Muellner et al.	D34/18
D282,499	S	2/1986	Alstrom	
4,826,186	A *	5/1989	Hagelin	280/33.994
4,850,604	A *	7/1989	Le Marchand et al.	280/33.996
5,435,582	A *	7/1995	Davidson	280/33.992
D365,904	S *	1/1996	Adamson et al.	D34/17
D367,348	S *	2/1996	Basharat	D34/18
5,507,507	A *	4/1996	Davidson	280/33.991
5,595,394	A	1/1997	Adamson	
6,644,674	B2 *	11/2003	Simard	280/33.991
D493,932	S	8/2004	Prather et al.	
D548,421	S	8/2007	Walter	
D566,372	S *	4/2008	Walter	D34/19

OTHER PUBLICATIONS

Customer and Stocking Cart with Plastic Deck Retractable Shelf
Brochure cart manufactured by Win-Holt.

U.S. Appl. No. 29/275,141, filed Dec. 14, 2006; Inventor: Ivor Michel Walter.

U.S. Appl. No. 29/275,292, filed Dec. 20, 2006; Inventor: Ivor Michel Walter.

U.S. Appl. No. 29/276,079, filed Oct. 12, 2007; Inventor: Ivor Michel Walter.

* cited by examiner

Primary Examiner—Cynthia E Ramirez

(74) *Attorney, Agent, or Firm*—Margaret Polson; Patent Law Offices of Rick Martin, PC

(57) **CLAIM**

The ornamental design for a cart, as shown and described.

DESCRIPTION

FIG. 1 is a front perspective view of my new design for a cart.

FIG. 2 is a left side elevation view; with the right side being a mirror thereof;

FIG. 3 is a front side elevation view of FIG. 1

FIG. 4 is a back side elevation view of FIG. 1.

FIG. 5 is a top plan view of FIG. 1.

FIG. 6 is a bottom plan view of FIG. 1; and,

FIG. 7 is a side elevation view of the cart, with the top shelf its alternate positions, the only difference being the positions of the top shelf, it being understood that all other elements are the same.

1 Claim, 7 Drawing Sheets





FIG.1

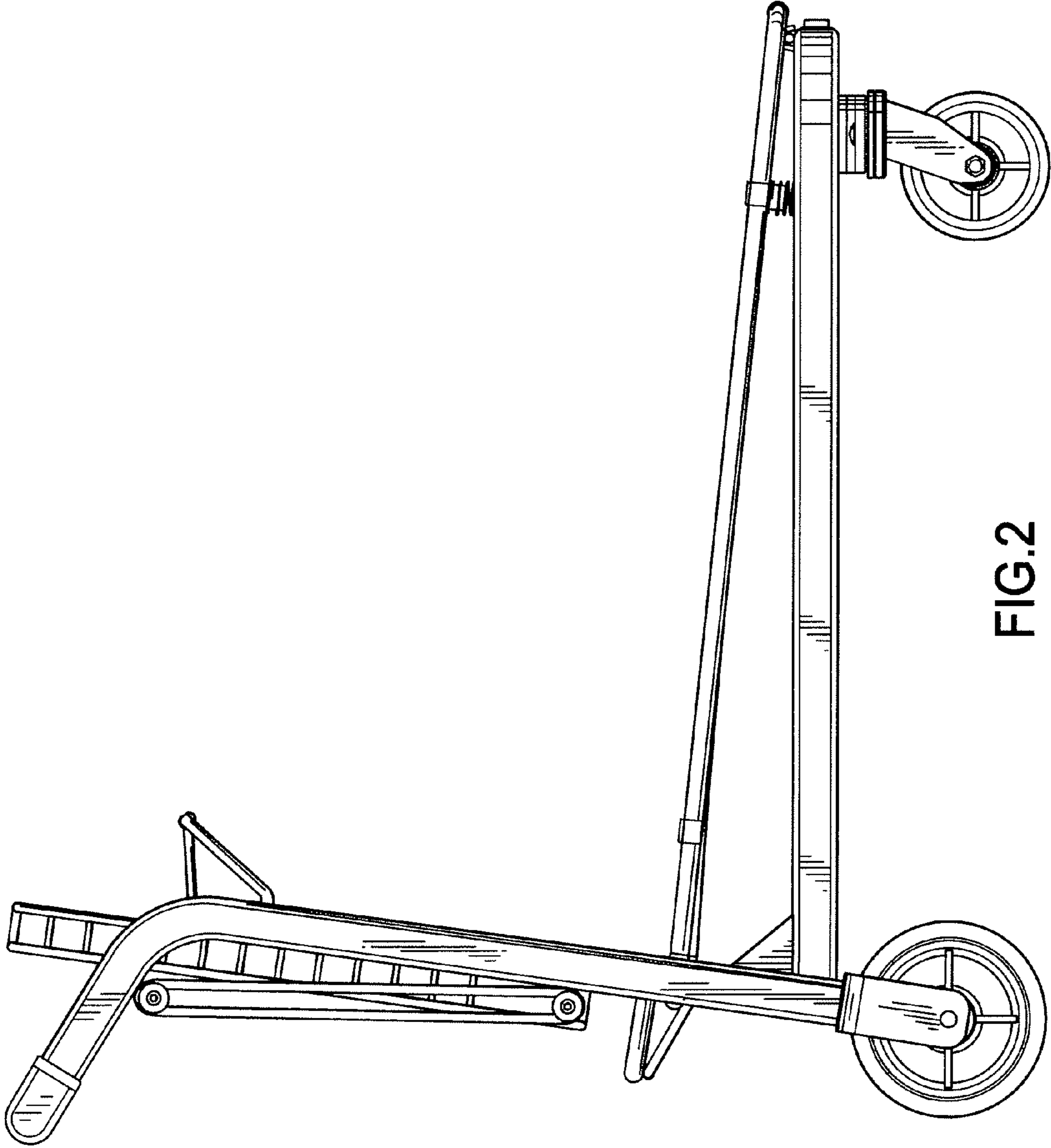


FIG.2

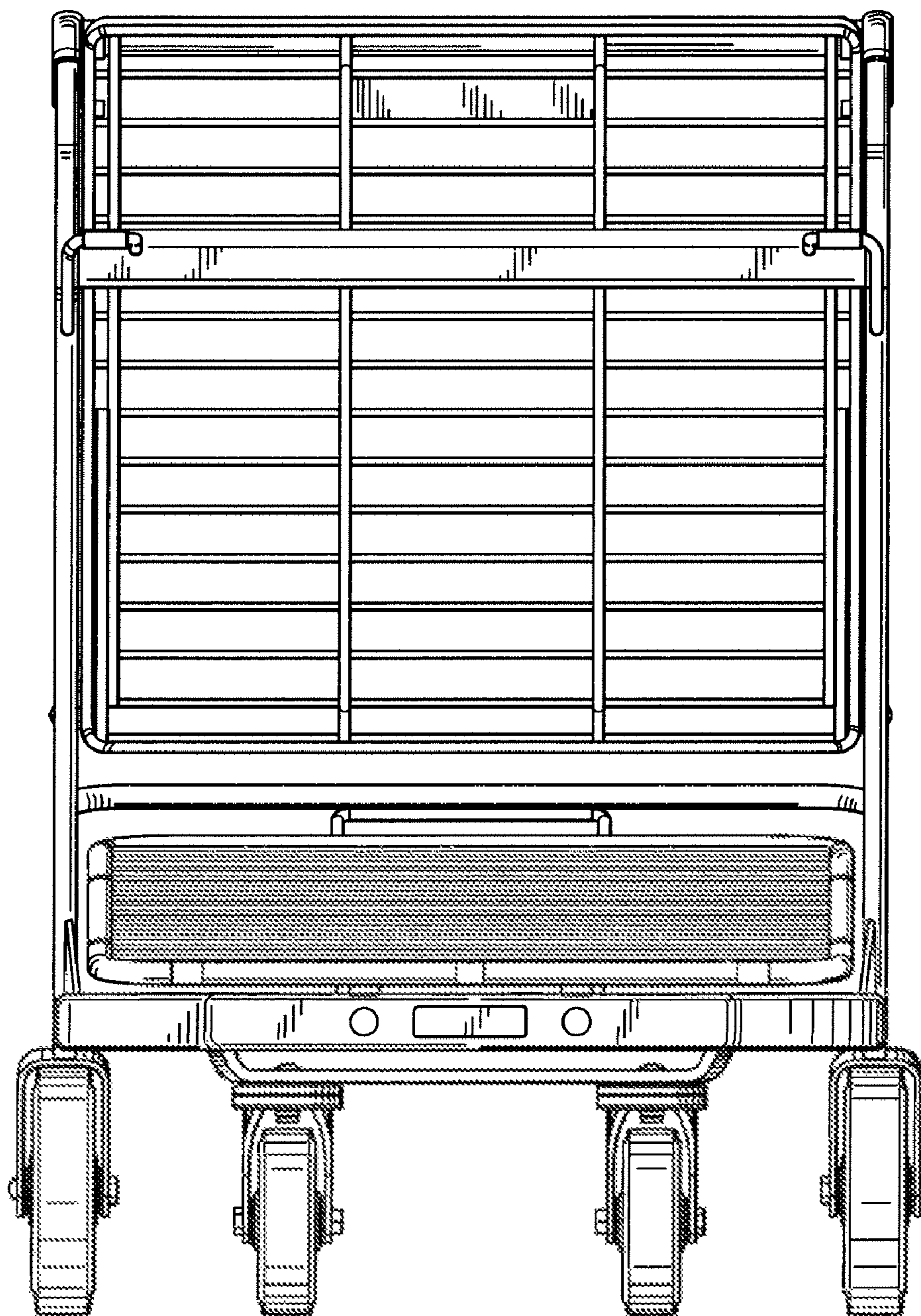


FIG.3

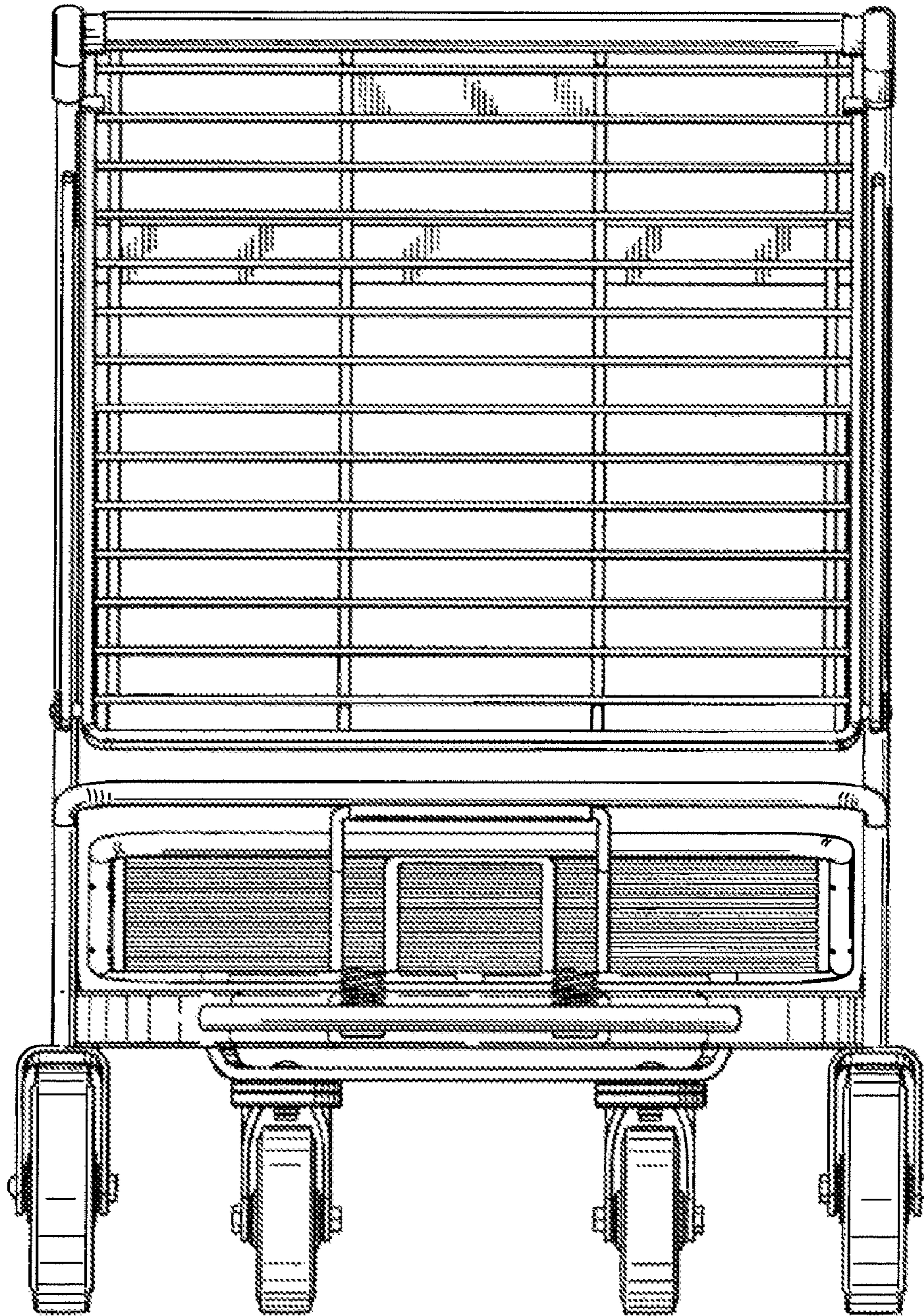


FIG.4

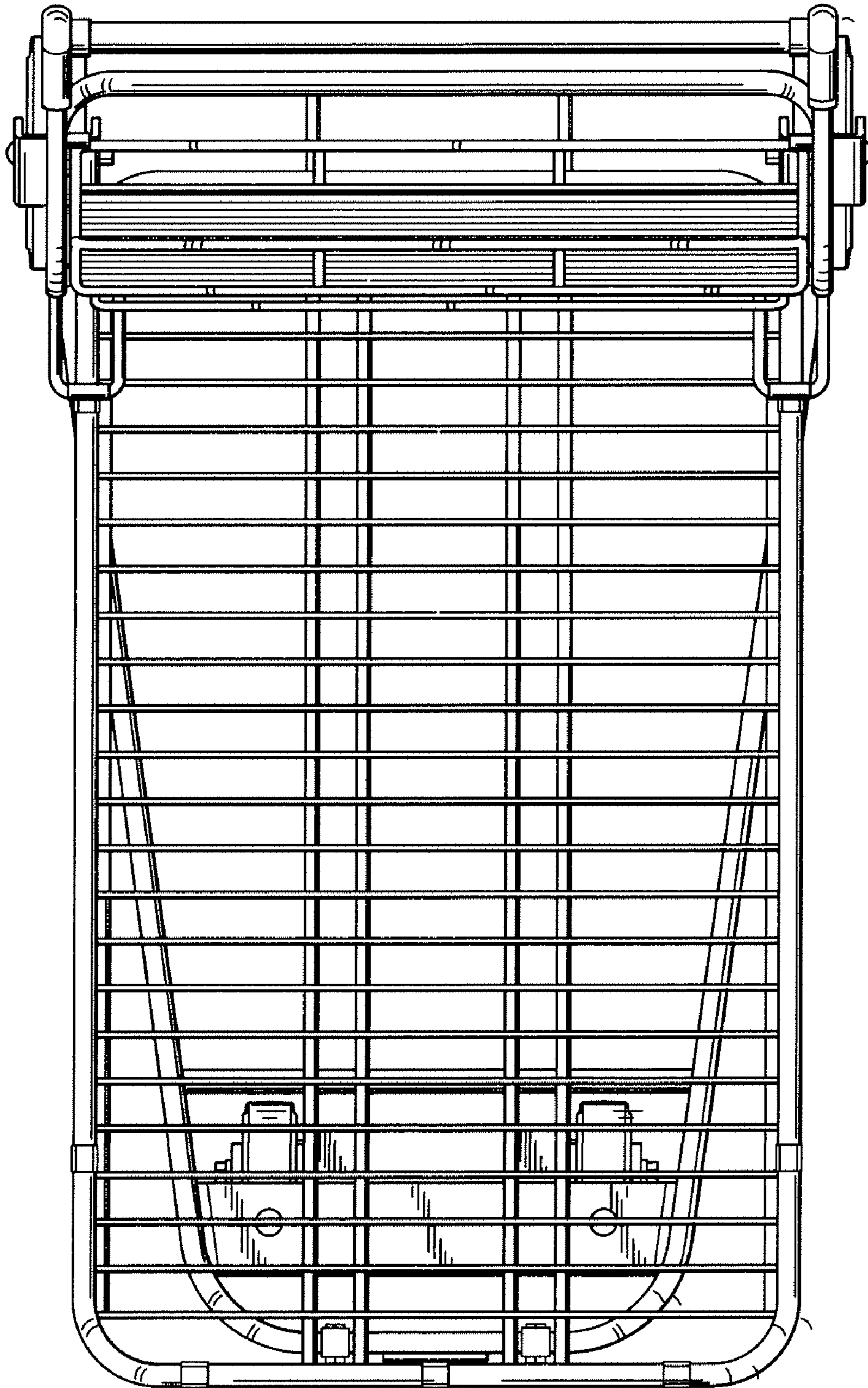


FIG.5

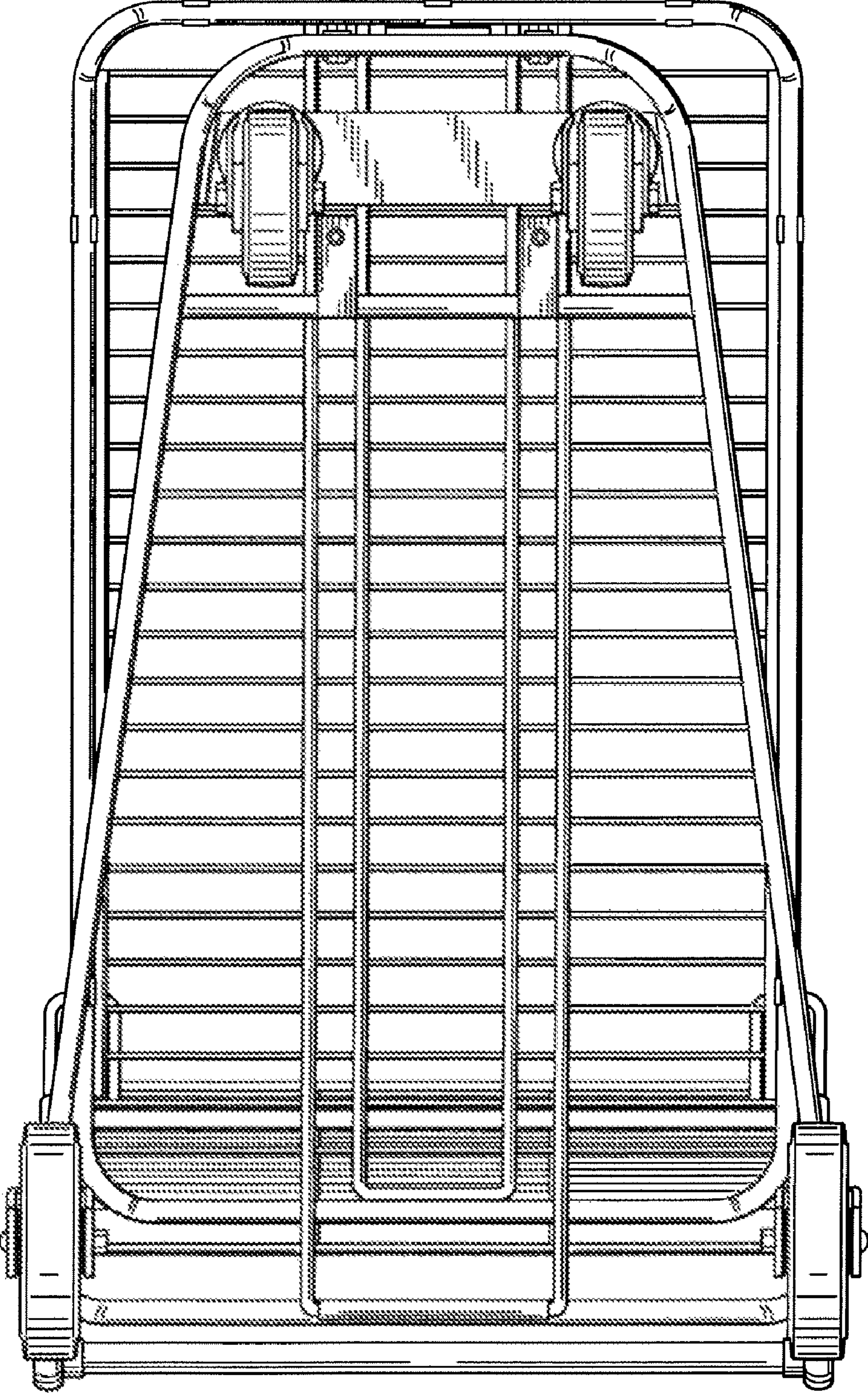


FIG.6

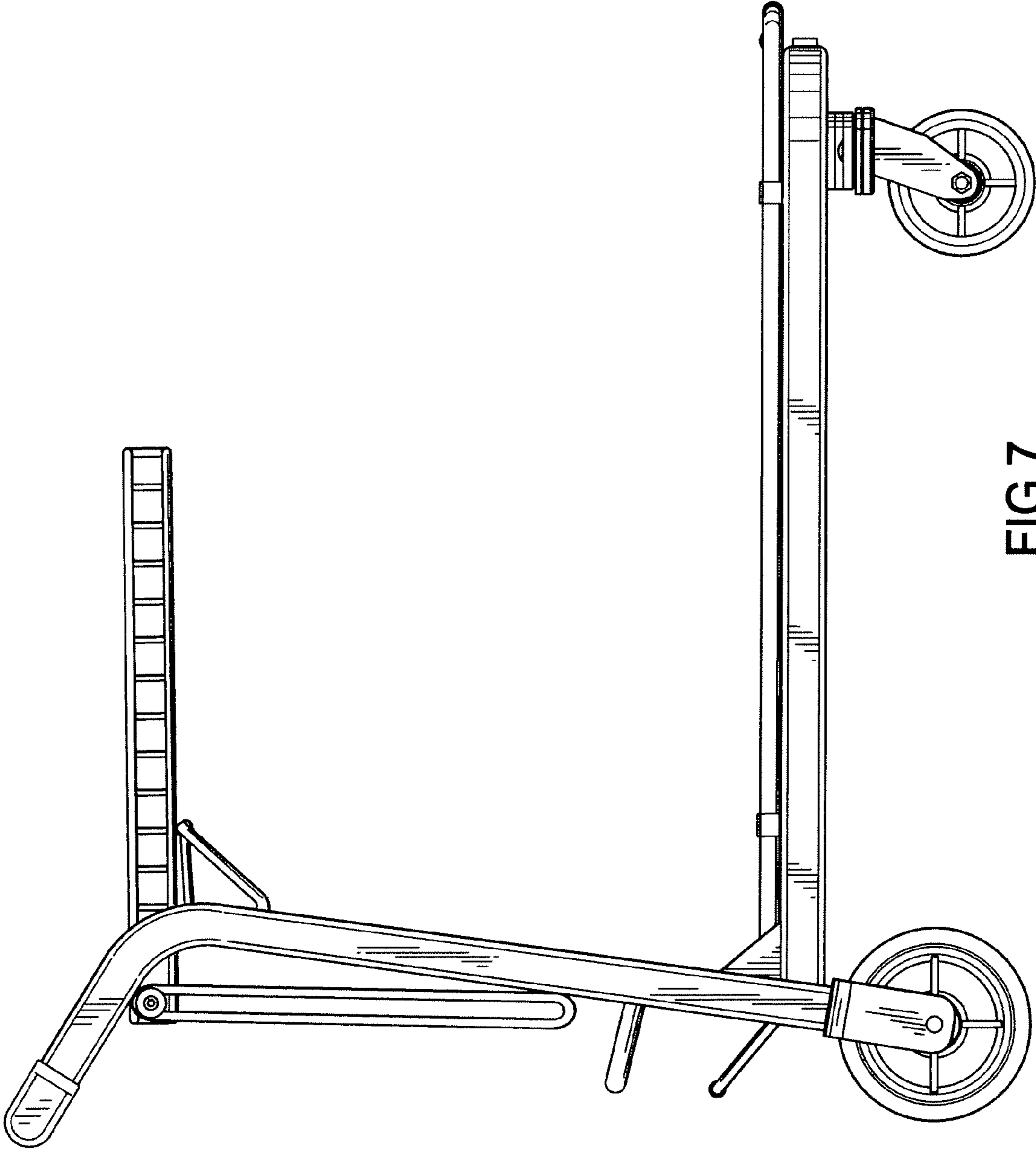


FIG.7