



US00D580614S

(12) **United States Design Patent**
Liao

(10) **Patent No.:** **US D580,614 S**

(45) **Date of Patent:** **** *Nov. 11, 2008**

(54) **THREE BINS TRASHCAN**

(75) Inventor: **Henry Liao**, Guangdong (CN)

(73) Assignee: **Jiangmen Foreign Trade Group Co., Ltd.**, Jiangmen, Guangdong (CN)

(*) Notice: This patent is subject to a terminal disclaimer.

(**) Term: **14 Years**

(21) Appl. No.: **29/267,457**

(22) Filed: **Oct. 16, 2006**

(30) **Foreign Application Priority Data**

Apr. 22, 2006 (CN) 2006 3 0059496

(51) **LOC (8) Cl.** **09-09**

(52) **U.S. Cl.** **D34/9**

(58) **Field of Classification Search** D34/1,
D34/7, 9, 10, 11; 220/908-913, 262-264
See application file for complete search history.

(56) **References Cited**

U.S. PATENT DOCUMENTS

D154,377 S * 7/1949 Freedman et al. D34/9
D323,729 S * 2/1992 Weiland D34/9
D333,542 S * 2/1993 McKenzie D34/9

D335,730 S * 5/1993 Tessner et al. D34/7
D344,381 S * 2/1994 Martin et al. D34/7
D347,916 S * 6/1994 Russ D34/5
6,386,386 B1 * 5/2002 George 220/526
D481,846 S * 11/2003 Lin D34/9
D482,169 S * 11/2003 Lin D34/9
D488,902 S * 4/2004 Yang et al. D34/8
D489,153 S * 4/2004 Lin D34/9
7,086,550 B2 * 8/2006 Yang et al. 220/263
2006/0213910 A1 * 9/2006 Yang et al. 220/264

* cited by examiner

Primary Examiner—Cynthia E Ramirez

(74) *Attorney, Agent, or Firm*—Bacon & Thomas PLLC

(57) **CLAIM**

The ornamental design for a three bins trashcan, as shown and described.

DESCRIPTION

FIG. 1 is a front view of the three bins trashcan showing my new design;

FIG. 2 is a rear side thereof;

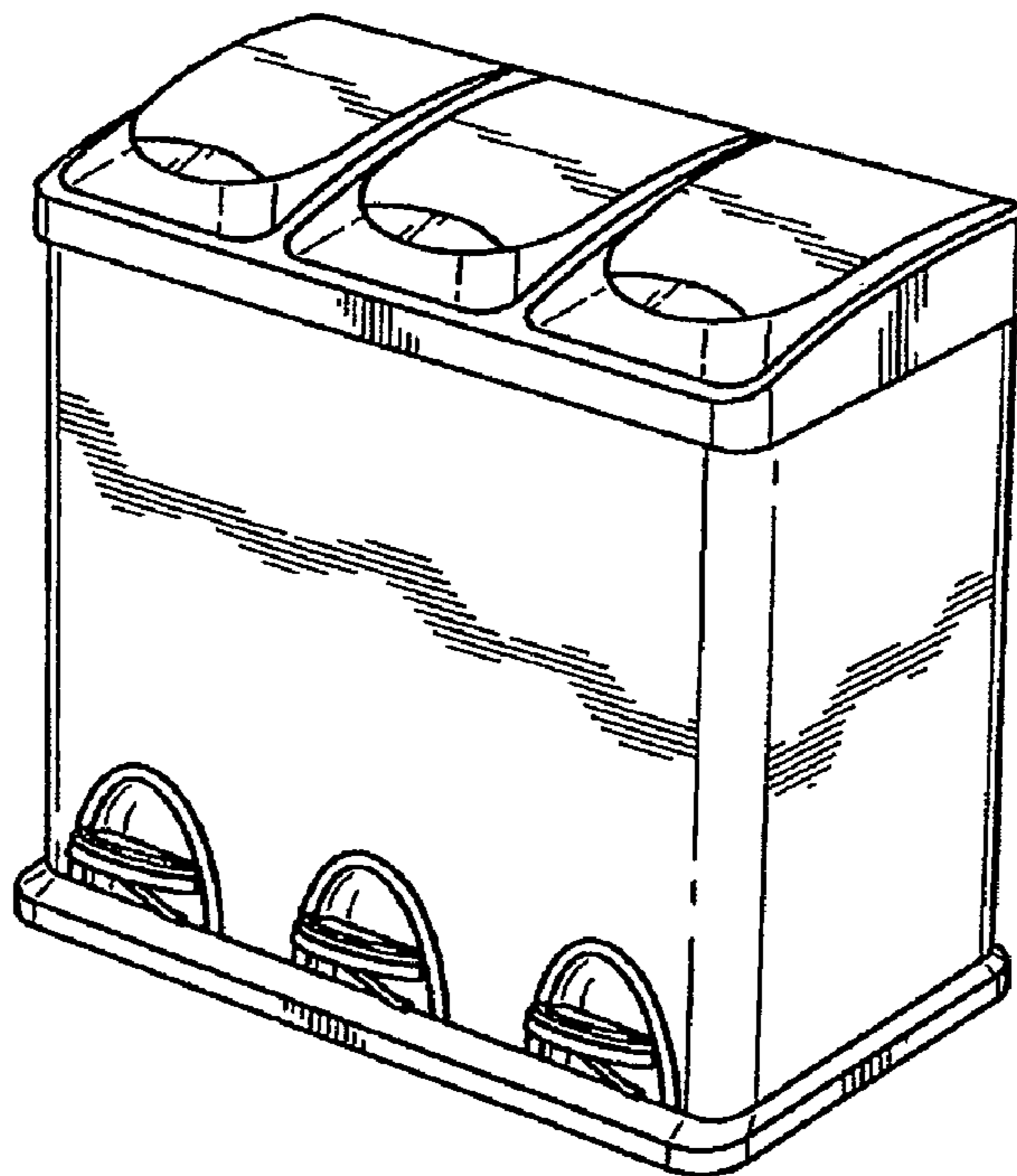
FIG. 3 side view thereof;

FIG. 4 is the other side thereof;

FIG. 5 is a top view thereof; and,

FIG. 6 is a perspective view thereof.

1 Claim, 6 Drawing Sheets



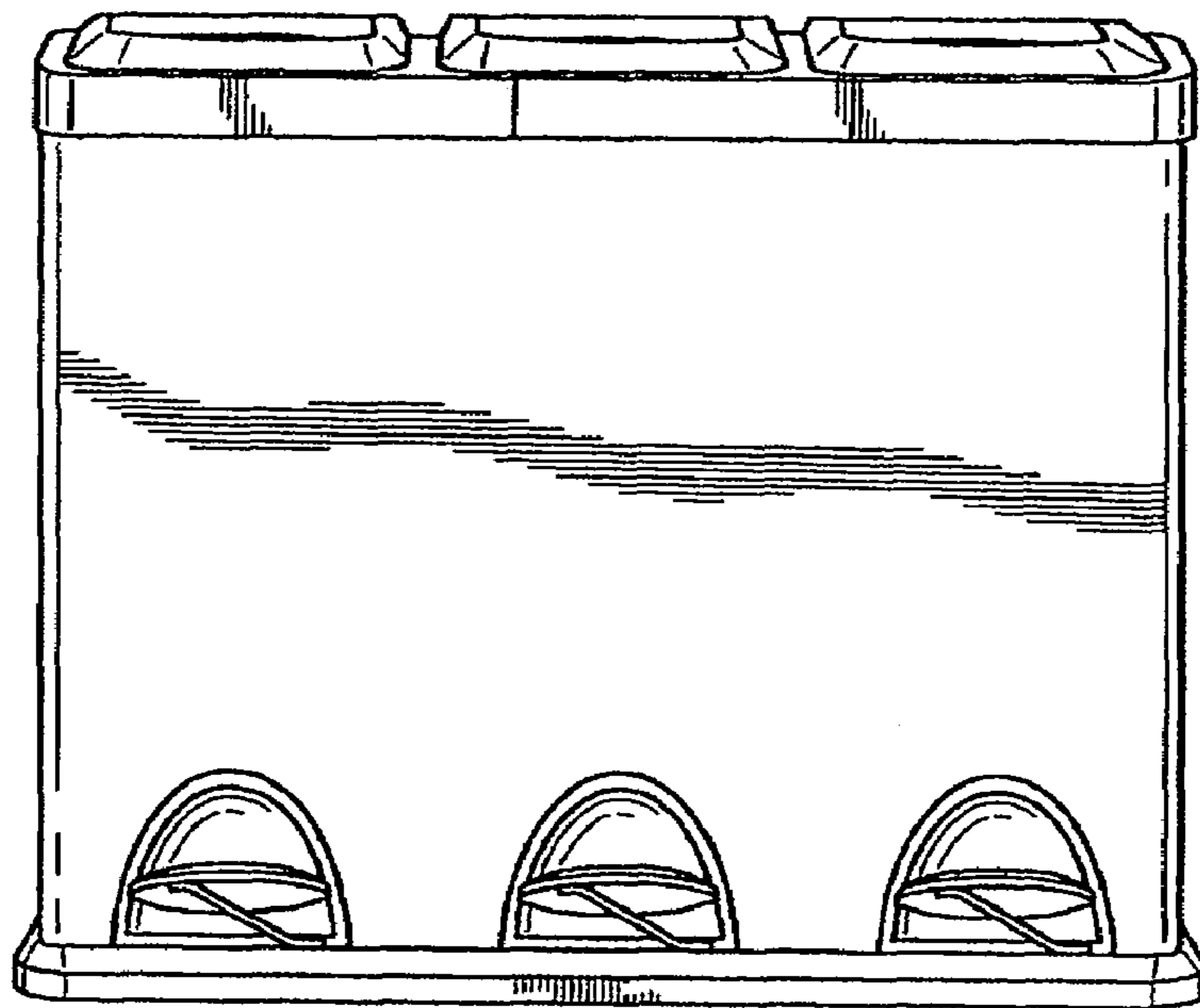


FIG. 1

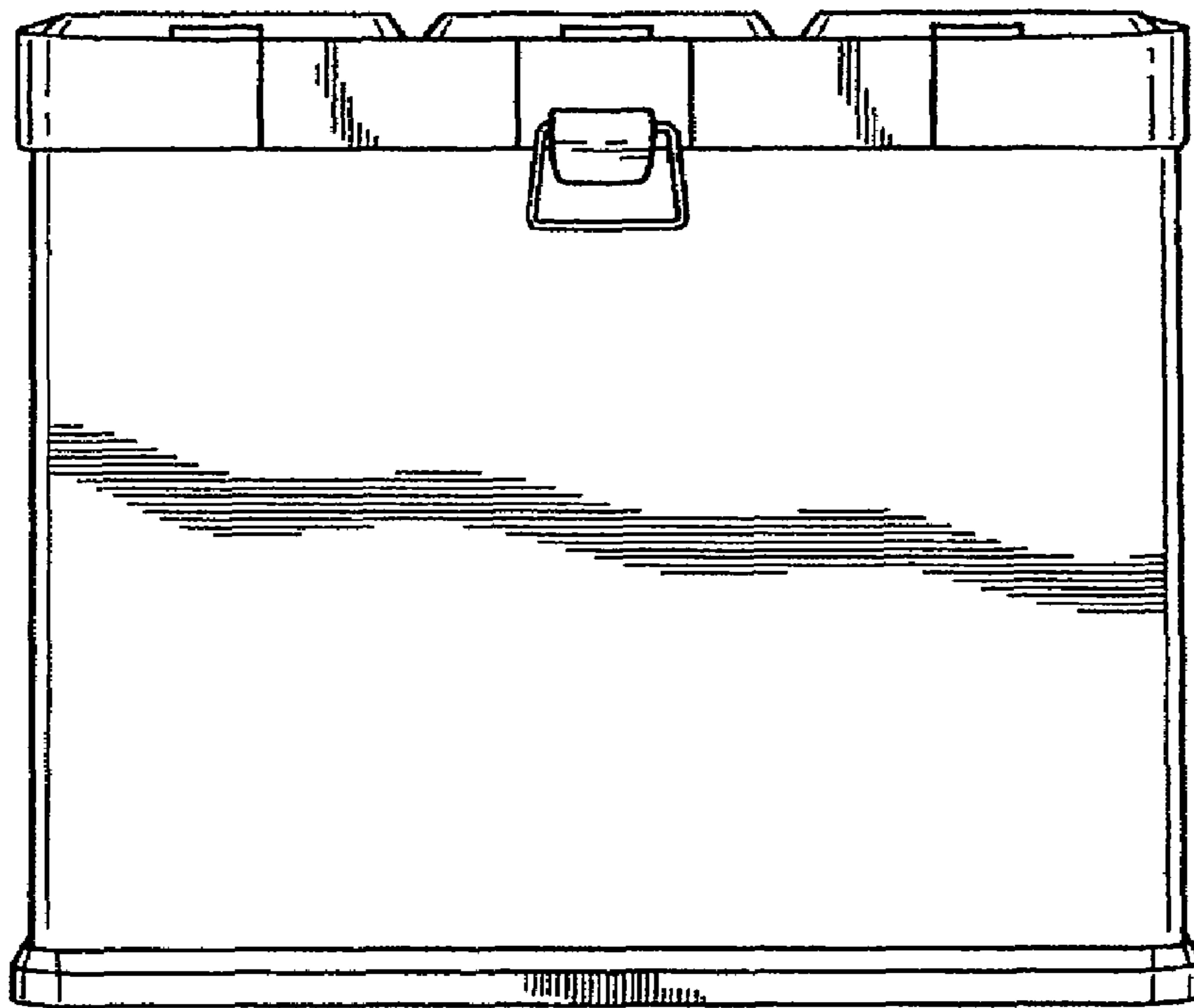


FIG. 2

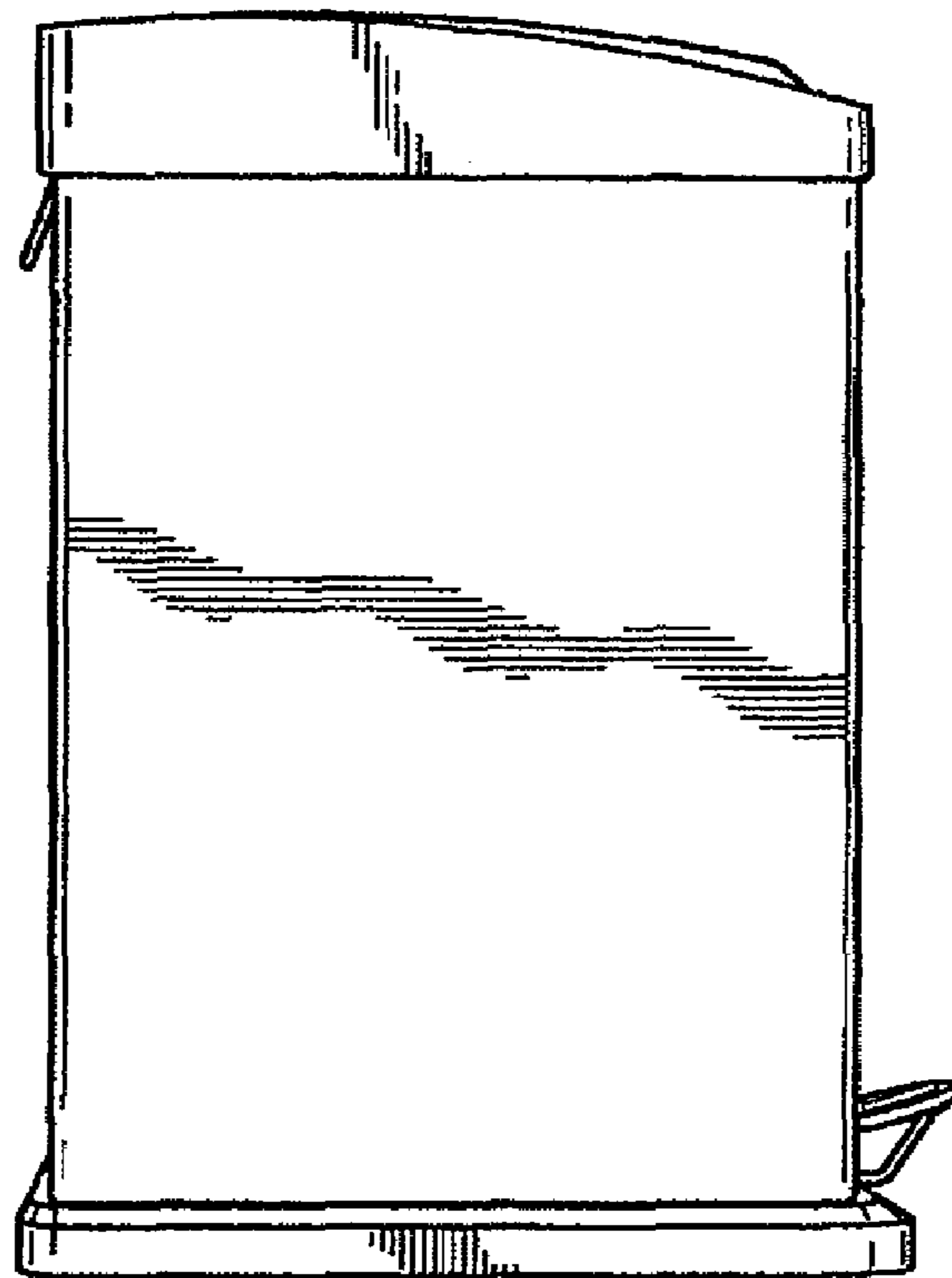


FIG. 3

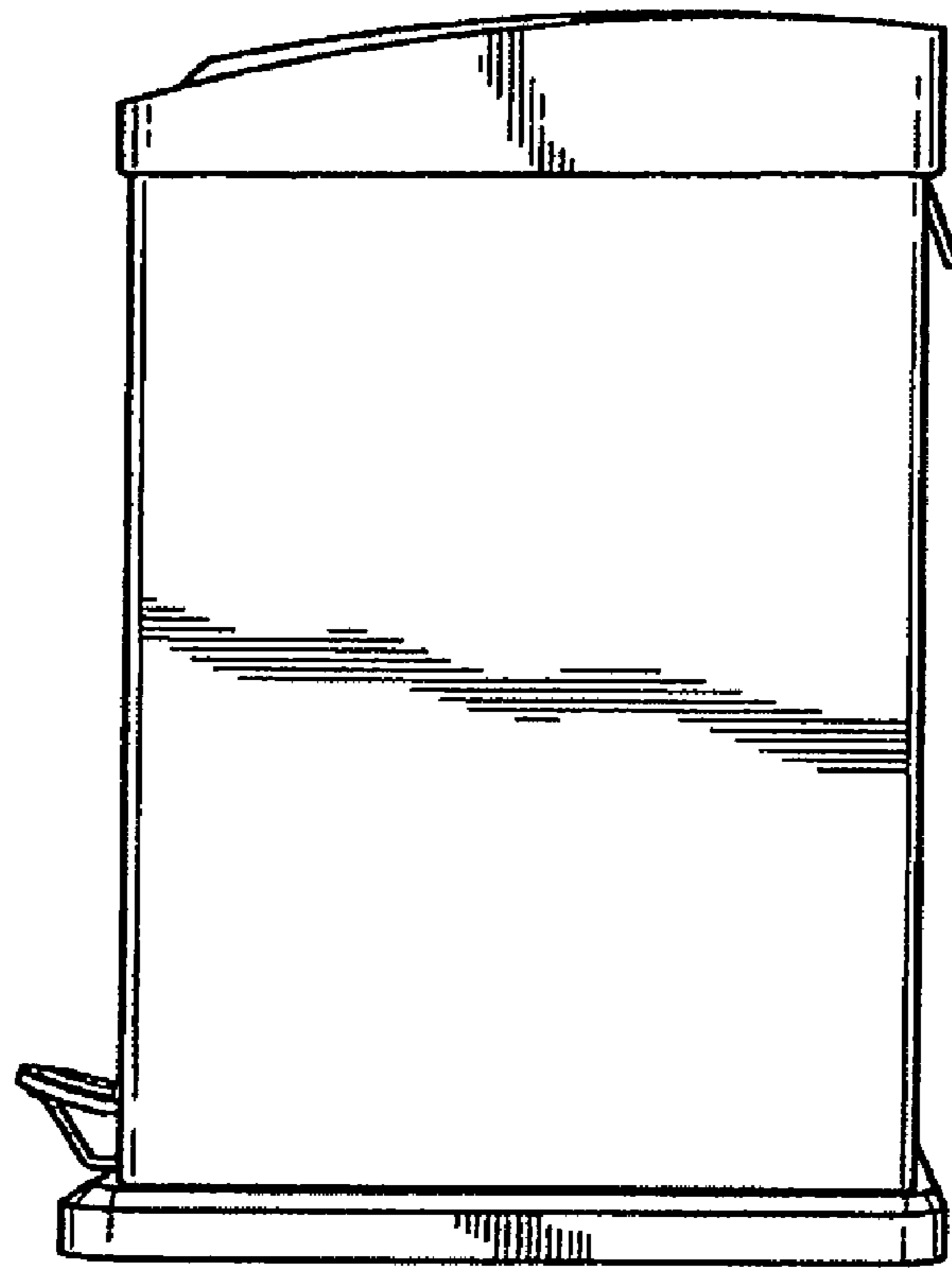


FIG. 4

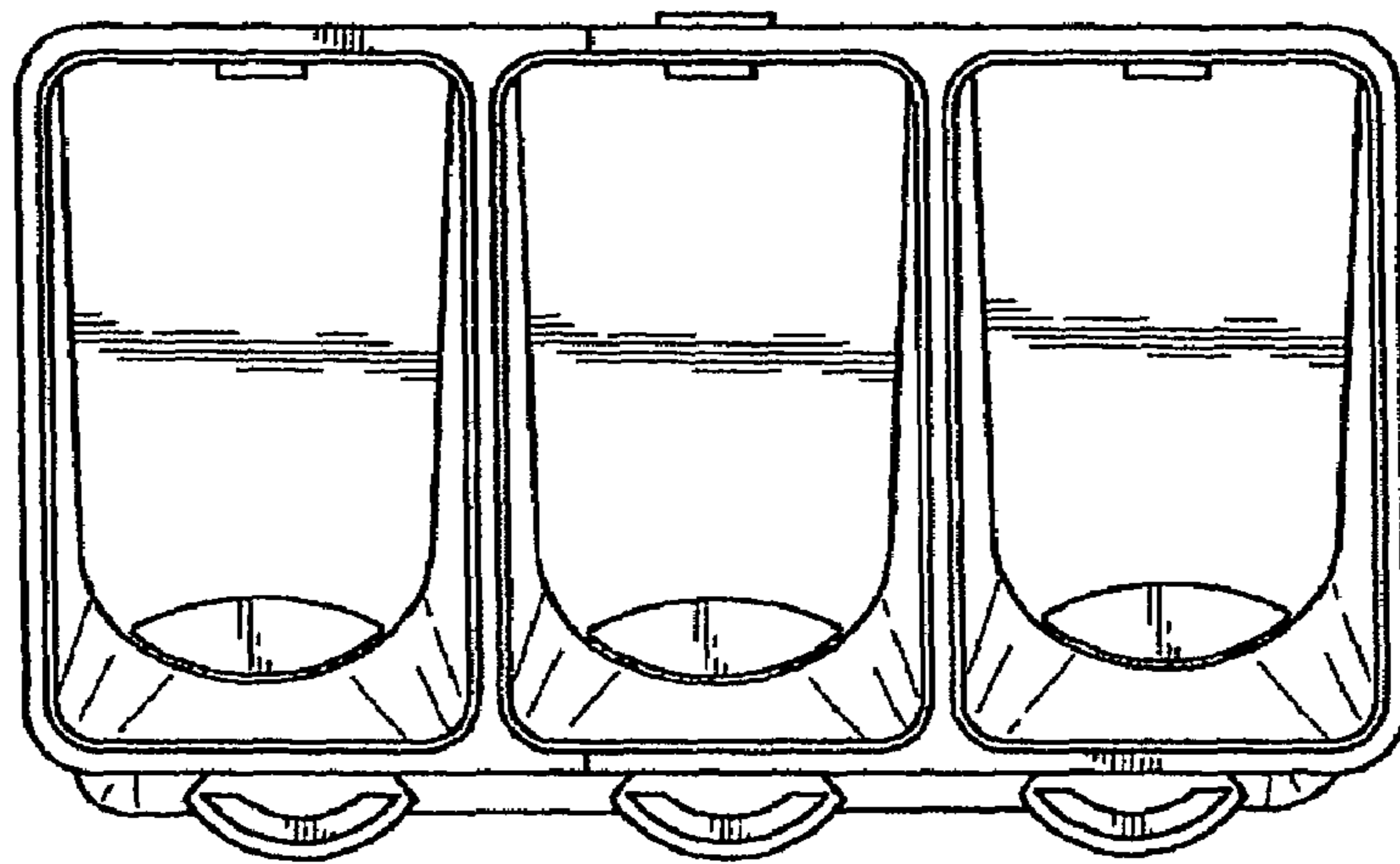


FIG. 5

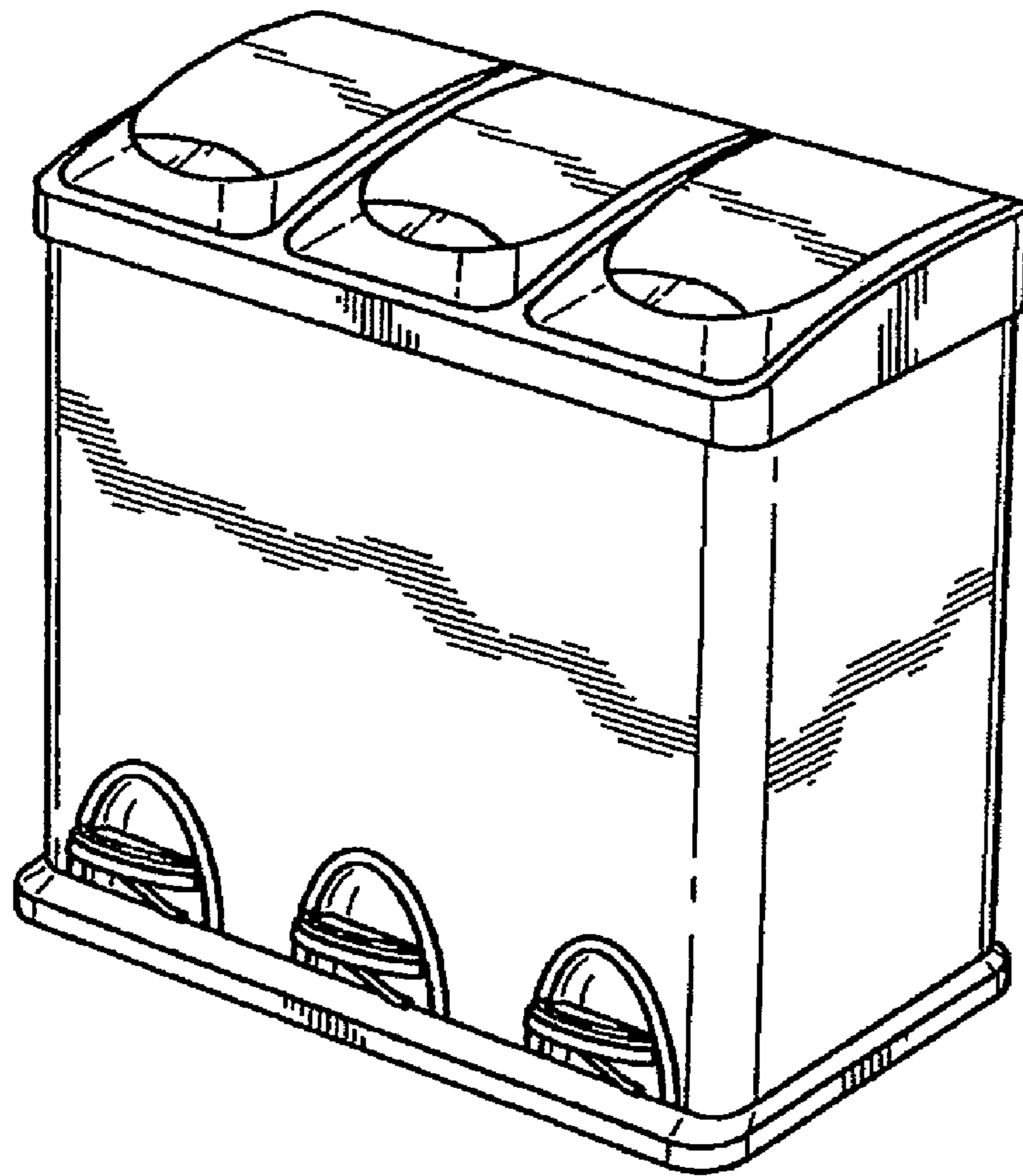


FIG. 6