



US00D580612S

(12) **United States Design Patent**
Matousek et al.

(10) **Patent No.:** **US D580,612 S**

(45) **Date of Patent:** **** Nov. 11, 2008**

(54) **ICE CHISEL**

D511,601 S * 11/2005 Chen D32/48
D544,162 S * 6/2007 Uffner et al. D32/46

(75) Inventors: **Dennis Matousek**, West Chicago, IL
(US); **Stephen Whitehead**, Elgin, IL
(US); **Michael Thuma**, La Grange, IL
(US)

* cited by examiner

Primary Examiner—Pamela J Burgess

(74) *Attorney, Agent, or Firm*—McHale & Slavin, P.A.

(73) Assignee: **Suncast Technologies, LLC**, Palm
Beach Gardens, FL (US)

(57) **CLAIM**

The ornamental design for an ice chisel, as shown and
described.

(**) Term: **14 Years**

(21) Appl. No.: **29/317,540**

DESCRIPTION

(22) Filed: **May 1, 2008**

FIG. 1 is a top perspective view of the ice chisel of the instant
invention;

(51) **LOC (8) Cl.** **08-05**

FIG. 2 is a bottom perspective view thereof;

(52) **U.S. Cl.** **D32/49; D32/46**

FIG. 3 is a rear perspective view thereof;

(58) **Field of Classification Search** D32/48-49,
D32/40, 46; D8/14; 15/236.01-236.02,
15/143.1; 16/110.1, 430-431; 7/105, 167
See application file for complete search history.

FIG. 4 is a top view thereof;

FIG. 5 is a bottom view thereof;

FIG. 6 is a right side view thereof, the left side view being a
mirror image thereof;

FIG. 7 is a front view thereof; and,

FIG. 8 is a rear view thereof.

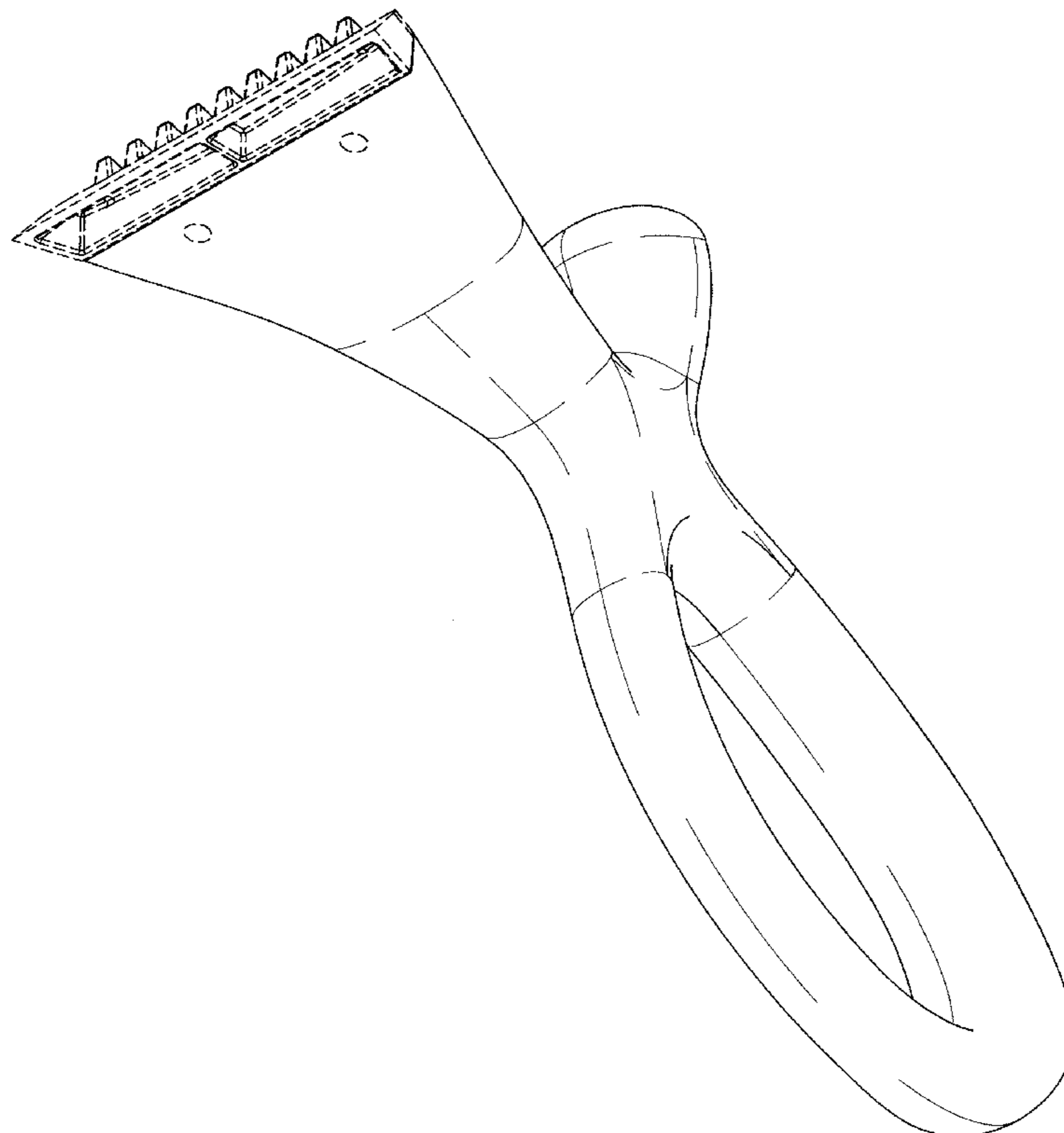
(56) **References Cited**

U.S. PATENT DOCUMENTS

D364,720 S * 11/1995 Francis et al. D32/49
D365,897 S * 1/1996 Pereira D32/46
D460,589 S * 7/2002 Weinberger et al. D32/46
6,629,331 B2 * 10/2003 Panfili et al. 15/236.06
D498,891 S * 11/2004 Sickler et al. D32/46

The portions of the Figures shown in broken lines are for
illustrative purposes only and form no part of the claimed
design.

1 Claim, 8 Drawing Sheets



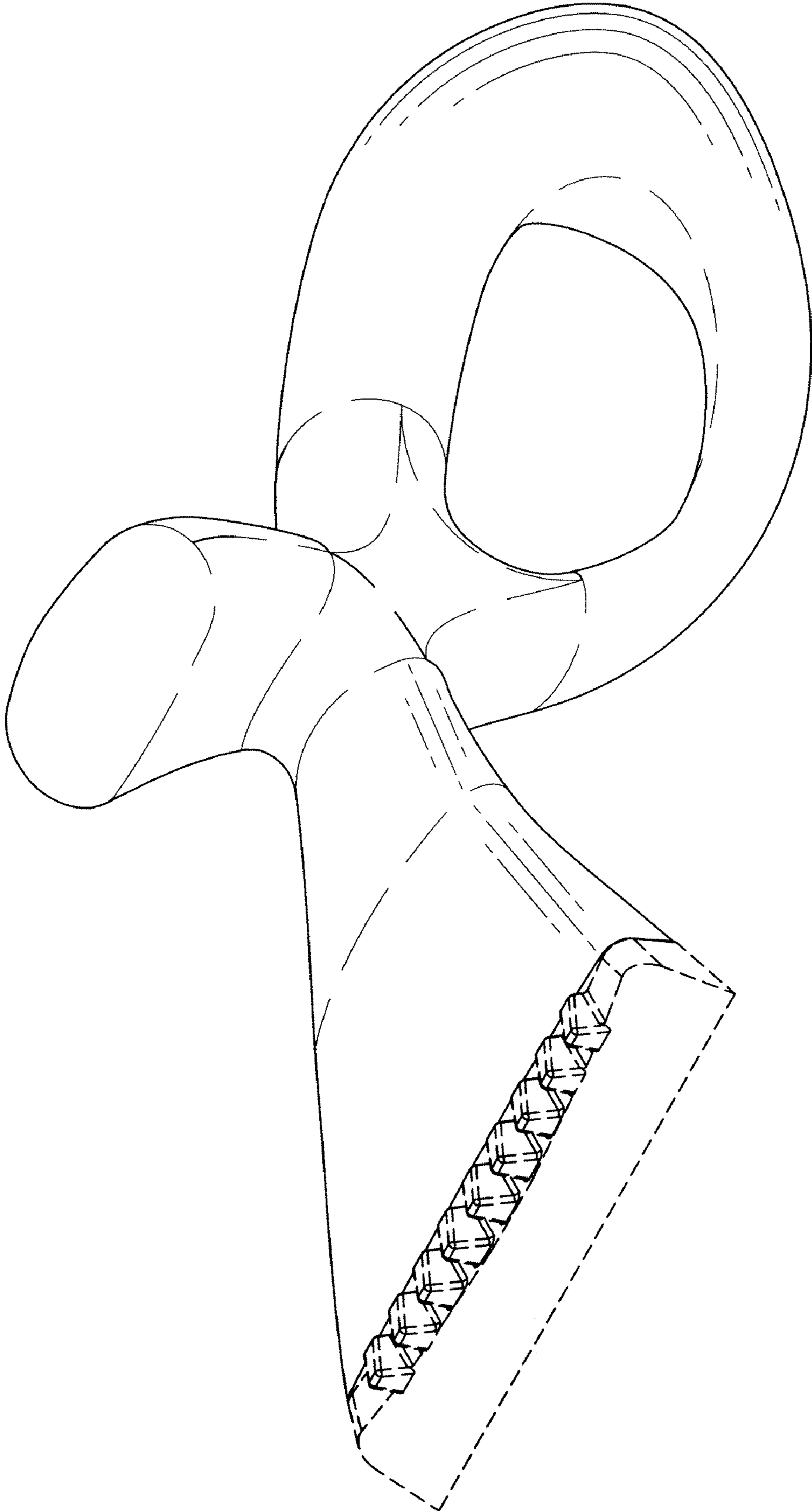


Fig. 1

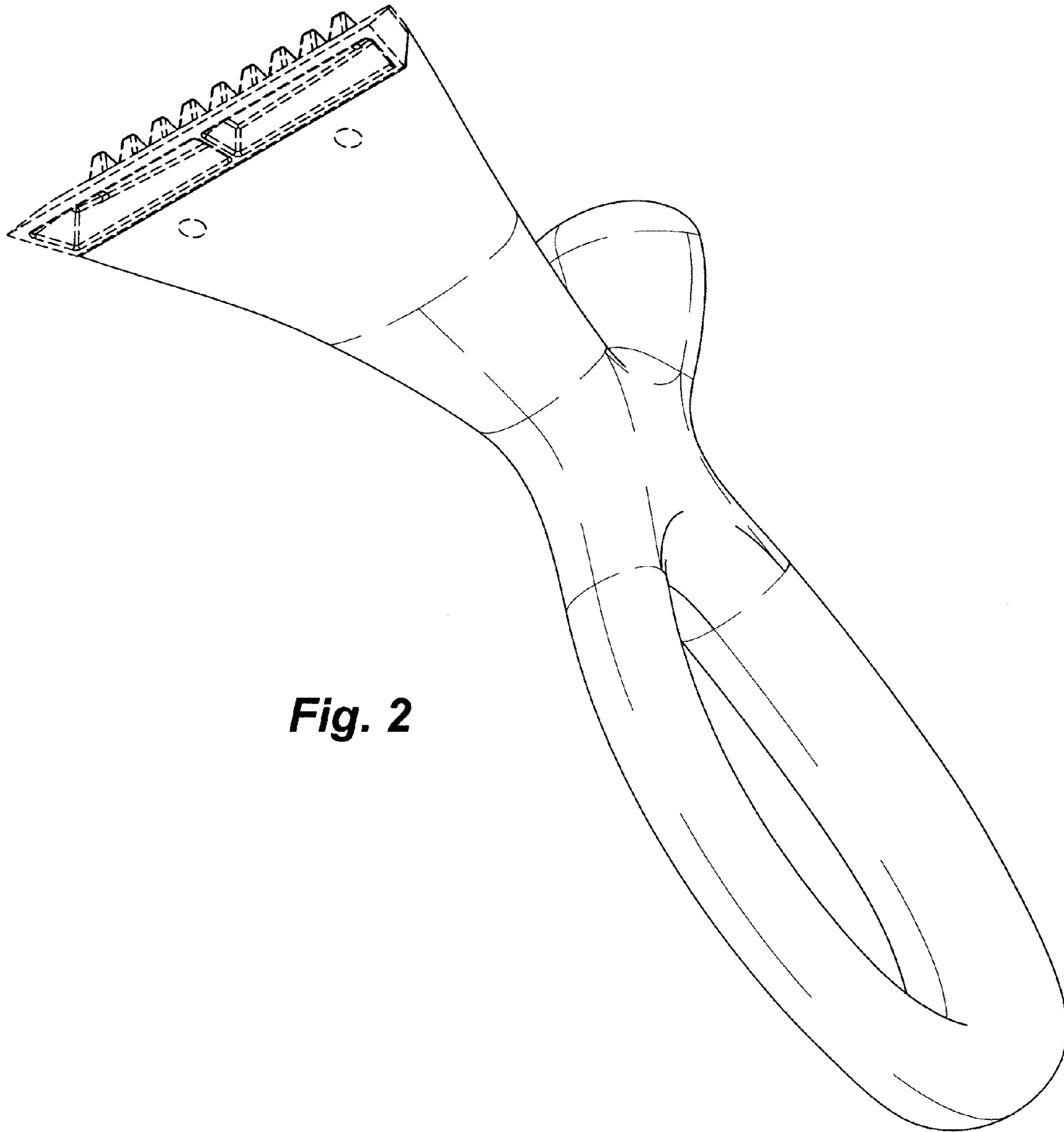


Fig. 2

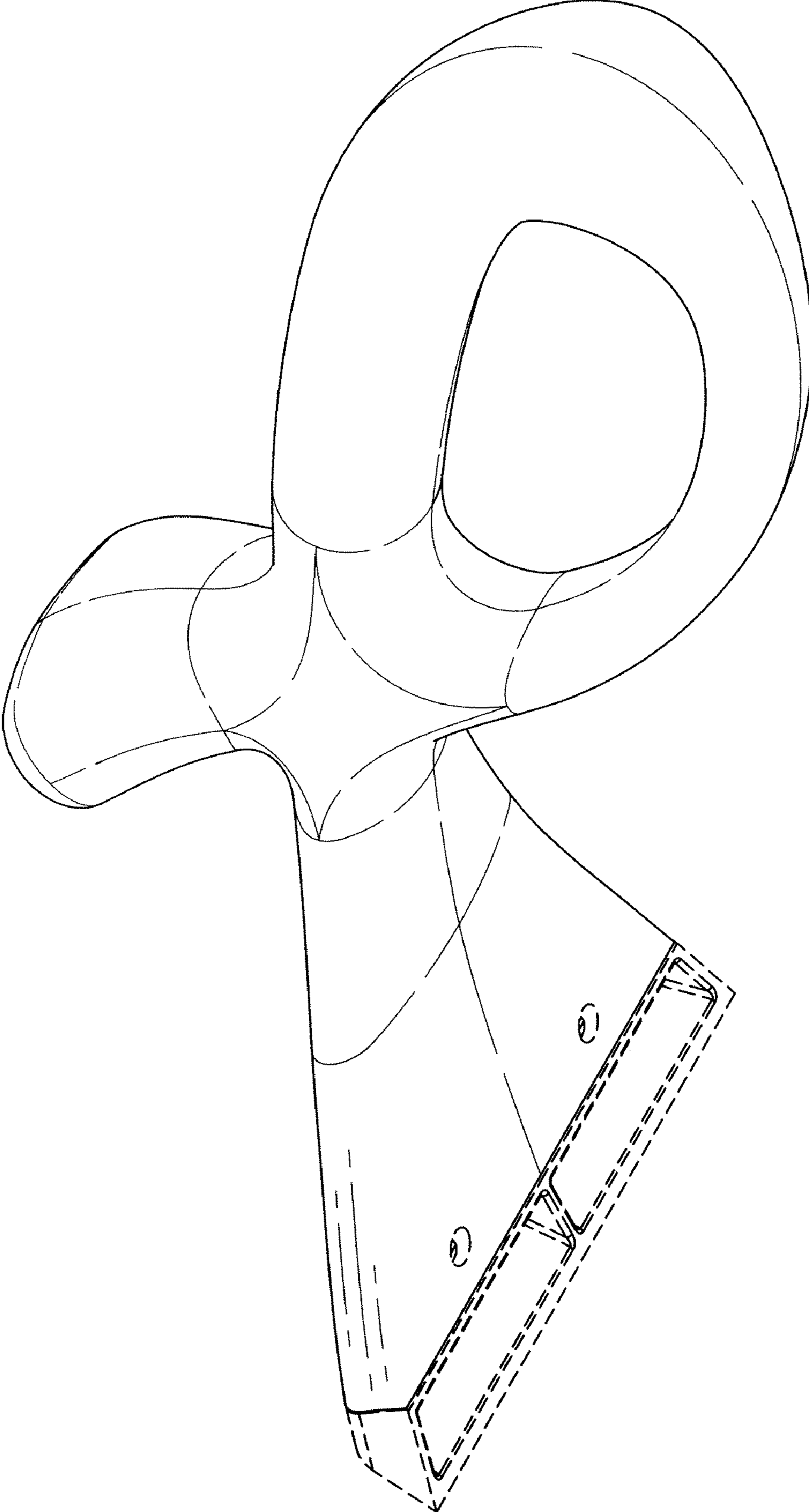


Fig. 3

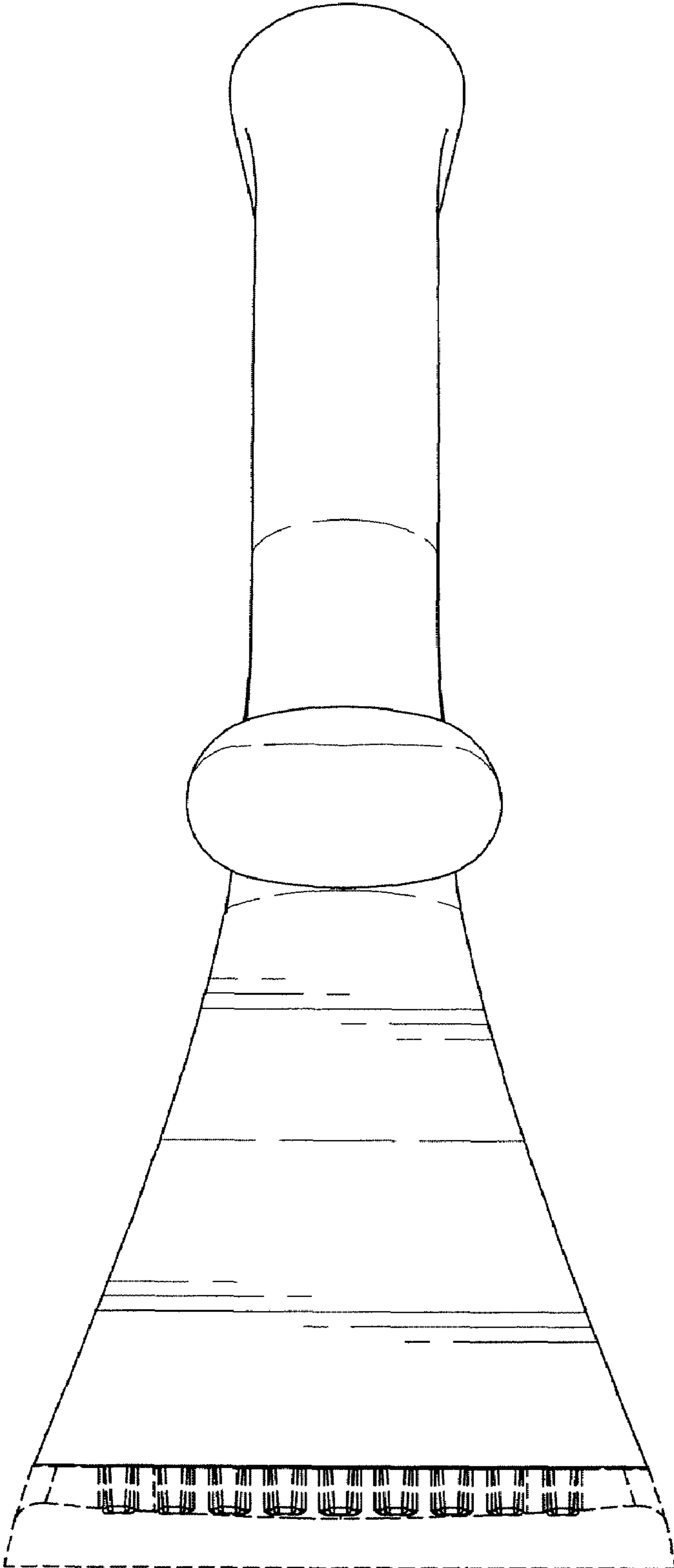


Fig. 4

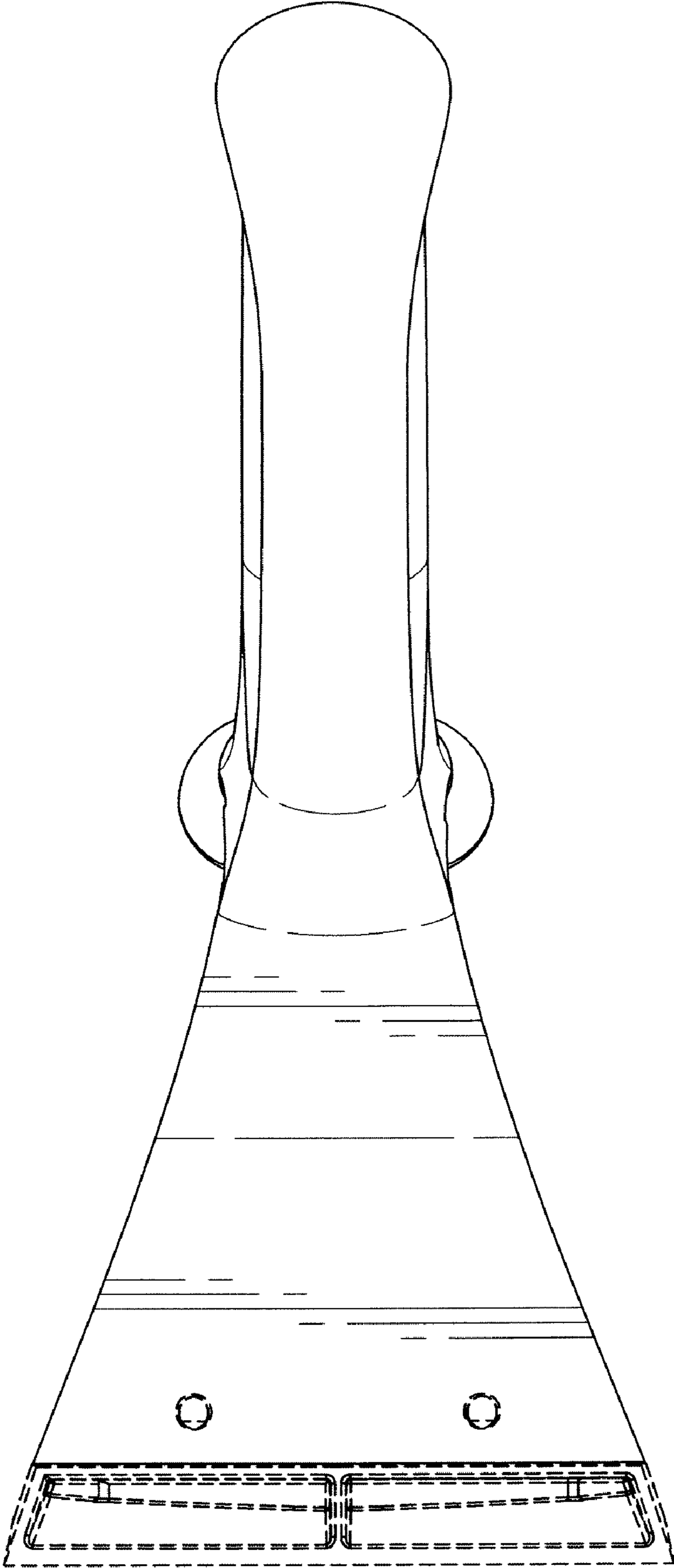


Fig. 5

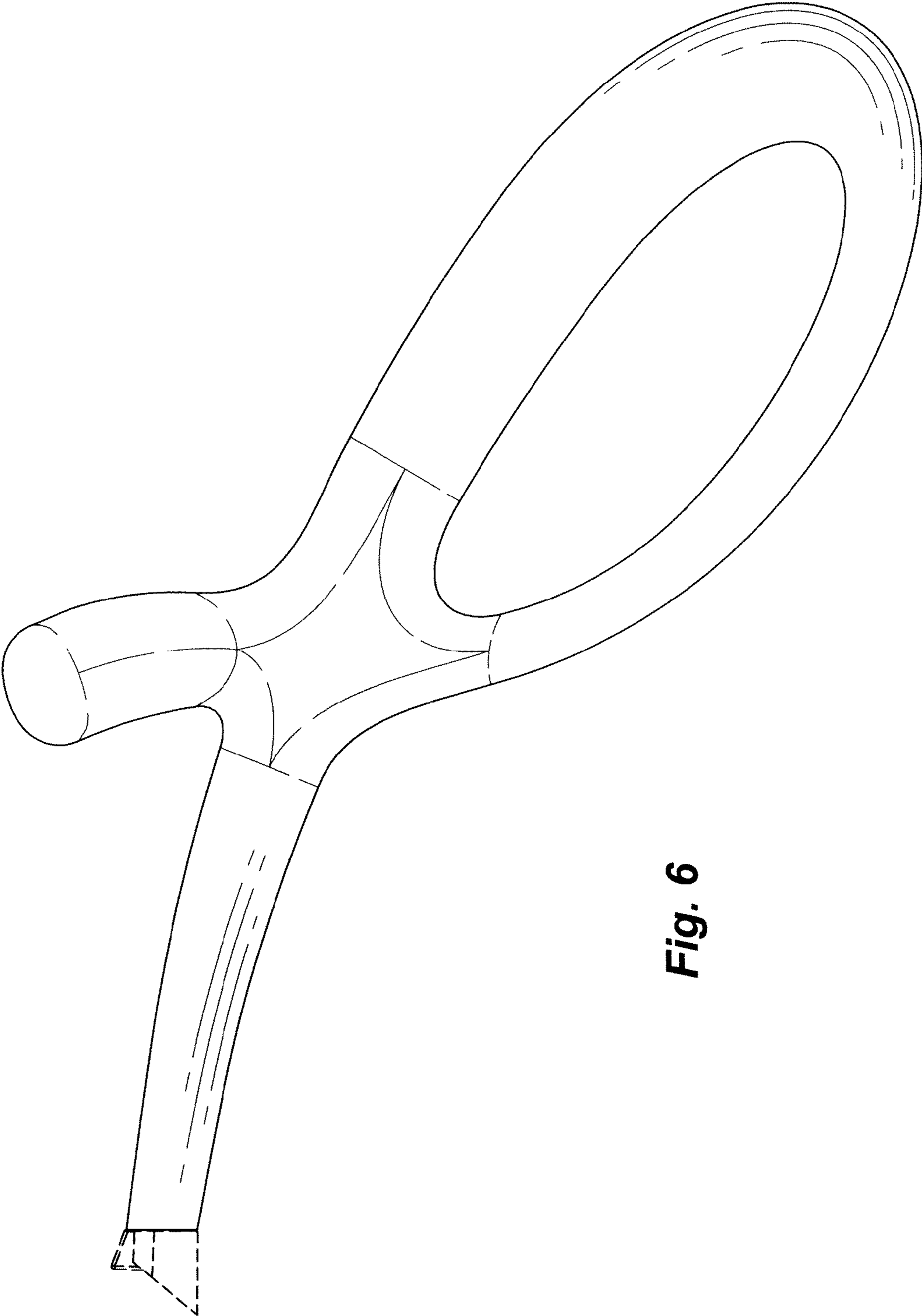


Fig. 6

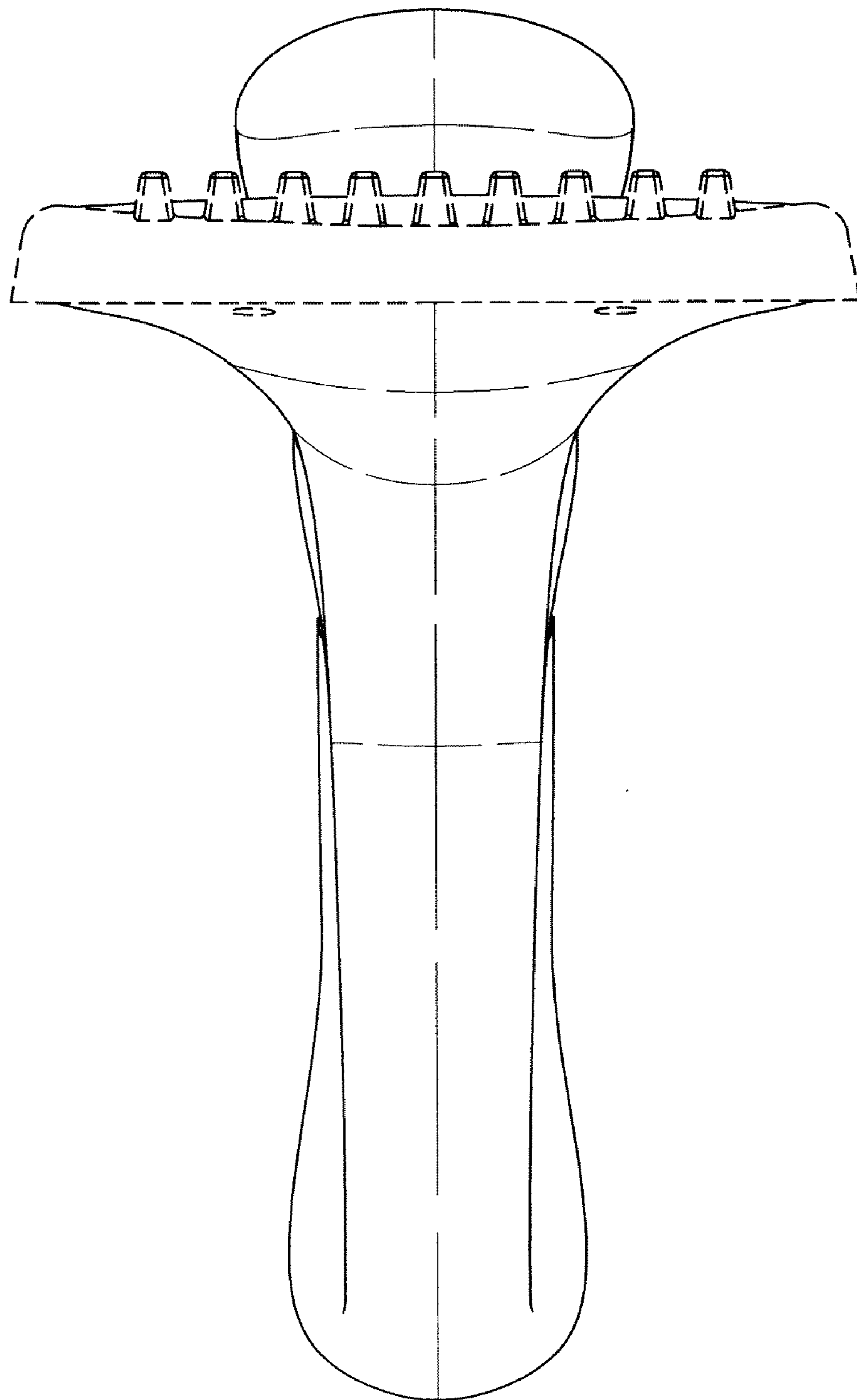


Fig. 7

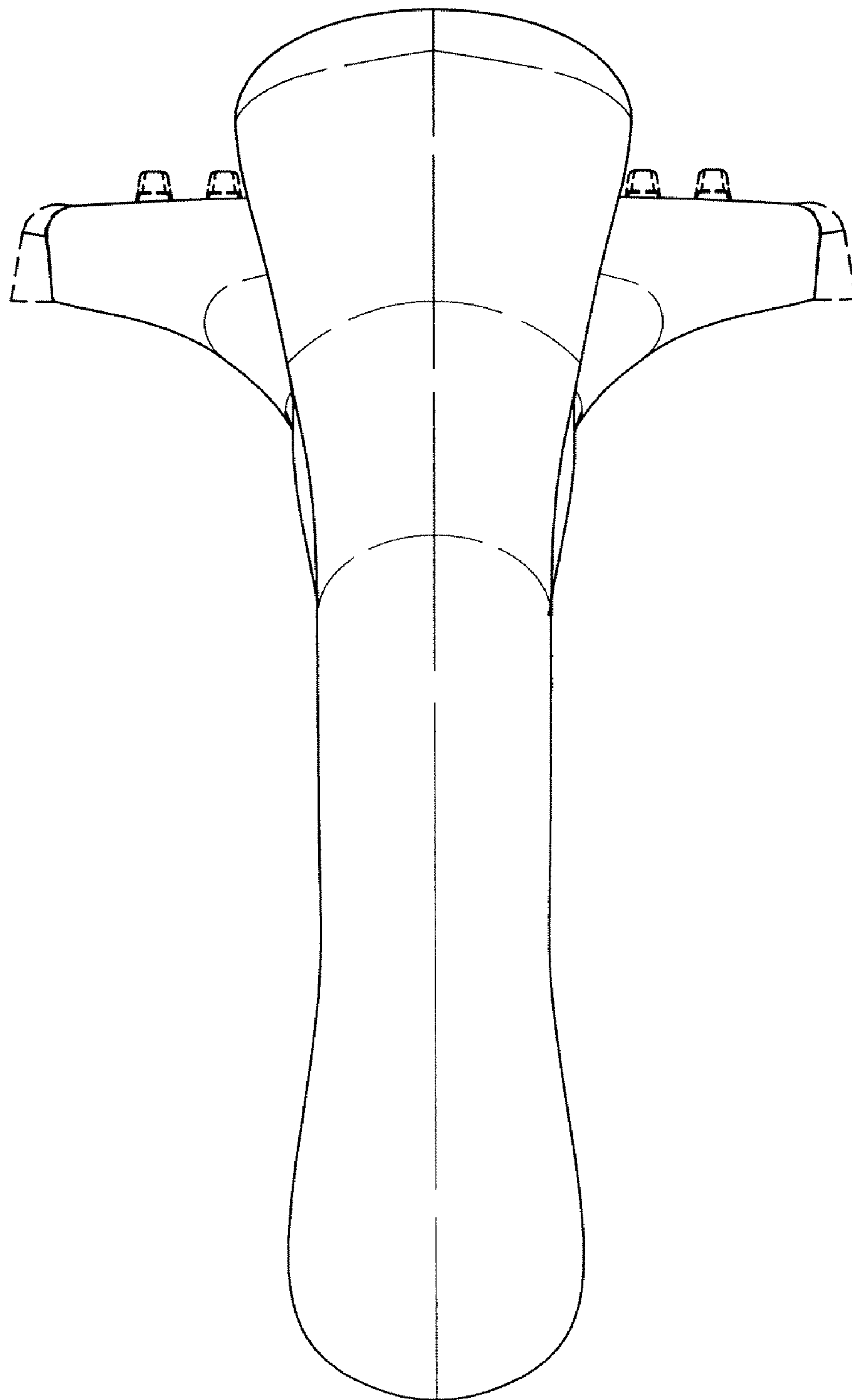


Fig. 8