



US00D580611S

(12) **United States Design Patent**
Roschi

(10) **Patent No.:** **US D580,611 S**
(45) **Date of Patent:** **** Nov. 11, 2008**

(54) **SUCTION HEAD FOR A VACUUM CLEANER**

(75) Inventor: **Barbara Roschi**, Barbaiana di Lainate
MI (IT)

(73) Assignee: **Davy s.r.l.** (IT)

(**) Term: **14 Years**

(21) Appl. No.: **29/293,842**

(22) Filed: **Dec. 14, 2007**

Related U.S. Application Data

(62) Division of application No. 29/220,126, filed on Dec. 21, 2004, now Pat. No. Des. 563,615.

(30) **Foreign Application Priority Data**

Jun. 25, 2004 (EM) 195656

(51) **LOC (8) Cl.** **15-05**

(52) **U.S. Cl.** **D32/33**

(58) **Field of Classification Search** D32/31-33,
D32/22, 25; 15/322, 327.1-327.7, 329, 362,
15/393, 398, 400-401, 415.1-422

See application file for complete search history.

(56) **References Cited**

U.S. PATENT DOCUMENTS

D103,240 S * 2/1937 Lofgren D32/33

(Continued)

Primary Examiner—Ruth McInroy

(74) *Attorney, Agent, or Firm*—Shlesinger & Fitzsimmons

(57) **CLAIM**

I claim the ornamental design for a suction head for a vacuum cleaner, as shown and described.

DESCRIPTION

FIG. 1 is a right side elevational view of a suction head for a vacuum cleaner showing my new design;

FIG. 2 is a left side elevational view of FIG. 1;

FIG. 3 is a front elevational view of FIG. 1;

FIG. 4 is a rear elevational view of FIG. 1;

FIG. 5 is a top plan view of FIG. 1;

FIG. 6 is a bottom plan view of FIG. 1;

FIG. 7 is a perspective view of FIG. 1;

FIG. 8 is a right side elevational view of a second embodiment thereof;

FIG. 9 is a left side elevational view of FIG. 8;

FIG. 10 is a front elevational view of FIG. 8;

FIG. 11 is a rear elevational view of FIG. 8;

FIG. 12 is a top plan view of FIG. 8;

FIG. 13 is a bottom plan view of FIG. 8;

FIG. 14 is a perspective view of FIG. 8;

FIG. 15 is right side elevational view of a third embodiment thereof;

FIG. 16 is a left side elevational view of FIG. 15;

FIG. 17 is a front elevational view of FIG. 15;

FIG. 18 is a rear elevational view of FIG. 15;

FIG. 19 is a top plan view of FIG. 15;

FIG. 20 is a bottom plan view of FIG. 15;

FIG. 21 is a perspective view of FIG. 15;

FIG. 22 is a right side elevational view of a fourth embodiment thereof;

FIG. 23 is a left side elevational view of FIG. 22;

FIG. 24 is a front elevational view of FIG. 22;

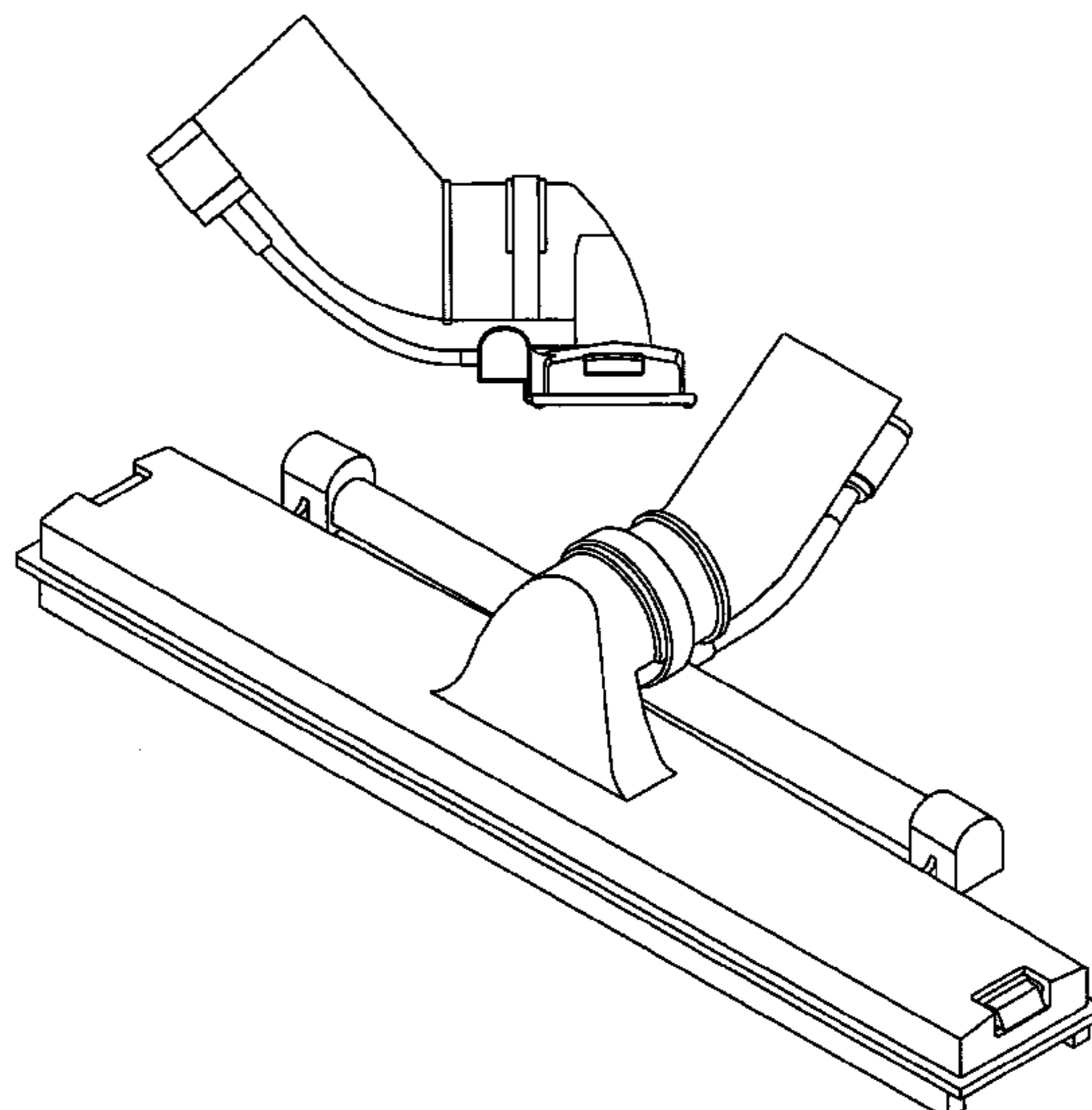
FIG. 25 is a rear elevational view of FIG. 22;

FIG. 26 is a top plan view of FIG. 22;

FIG. 27 is a bottom plan view of FIG. 22; and,

FIG. 28 is a perspective view of FIG. 22.

1 Claim, 16 Drawing Sheets



US D580,611 S

Page 2

U.S. PATENT DOCUMENTS

D161,681 S *	1/1951	Dreyfuss	D32/33	D424,766 S *	5/2000	Martin	D32/32
D178,746 S *	9/1956	Andersson-Sason	D32/33	D439,711 S *	3/2001	Griffin	D32/32
D178,747 S *	9/1956	Andersson-Sason	D32/32	6,421,875 B1 *	7/2002	Coombs et al.	15/420
D223,173 S *	3/1972	Howard et al.	D32/32	D468,499 S *	1/2003	Kitts	D32/32
D381,144 S *	7/1997	Moine et al.	D32/32	D484,287 S *	12/2003	Murphy et al.	D32/32
5,706,550 A *	1/1998	Holsten et al.	15/400				

* cited by examiner

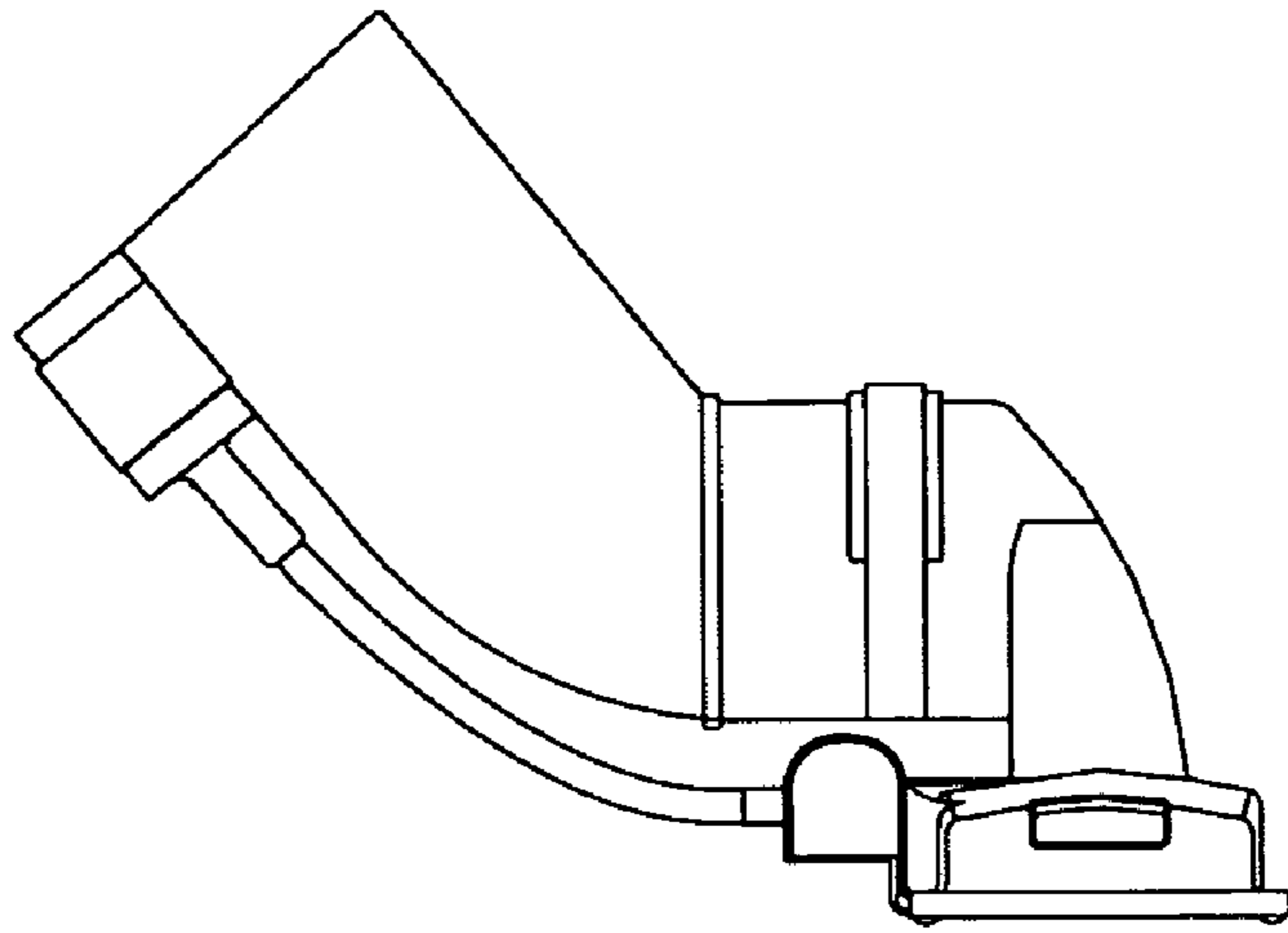


FIG. 1

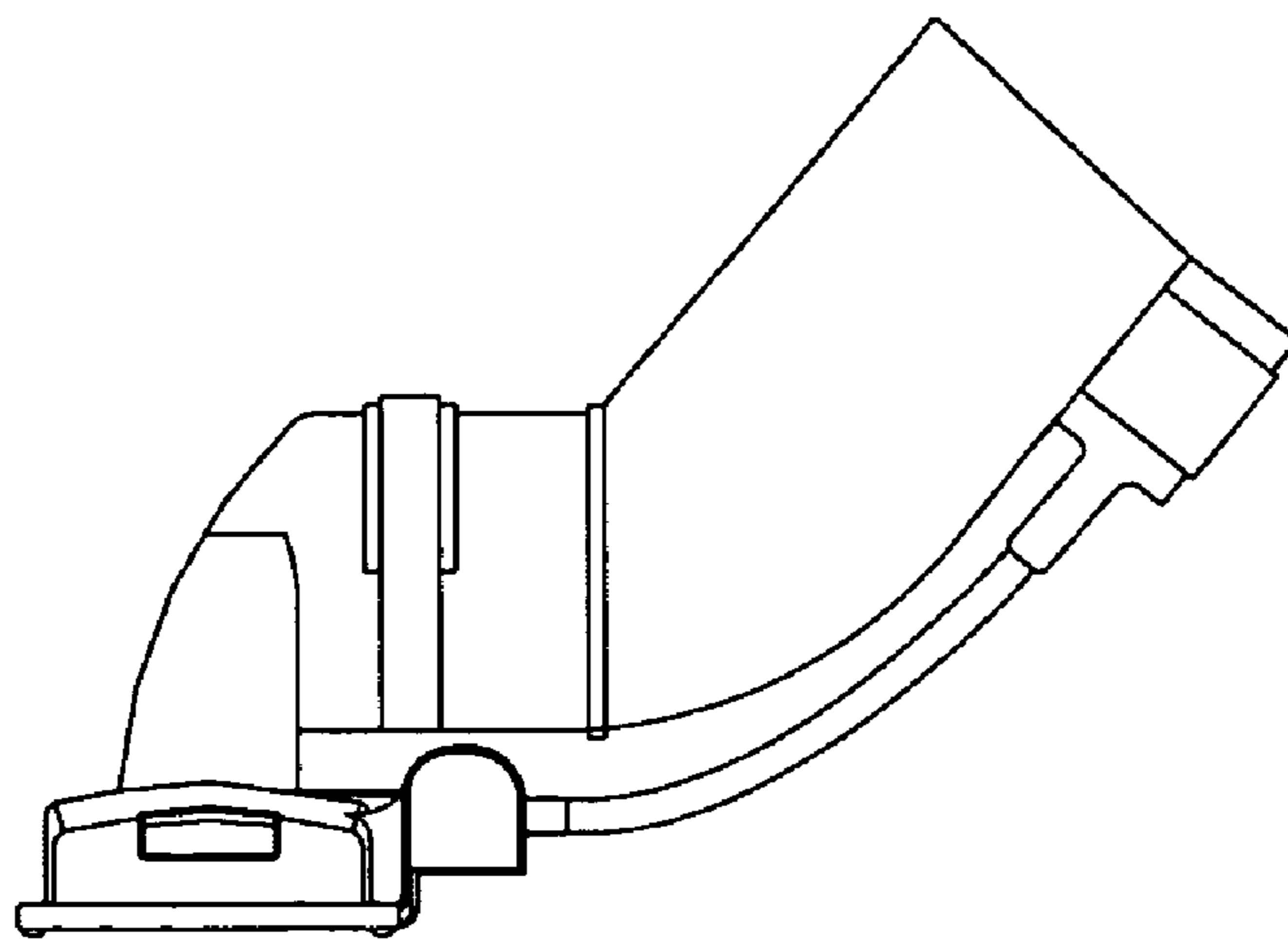


FIG. 2

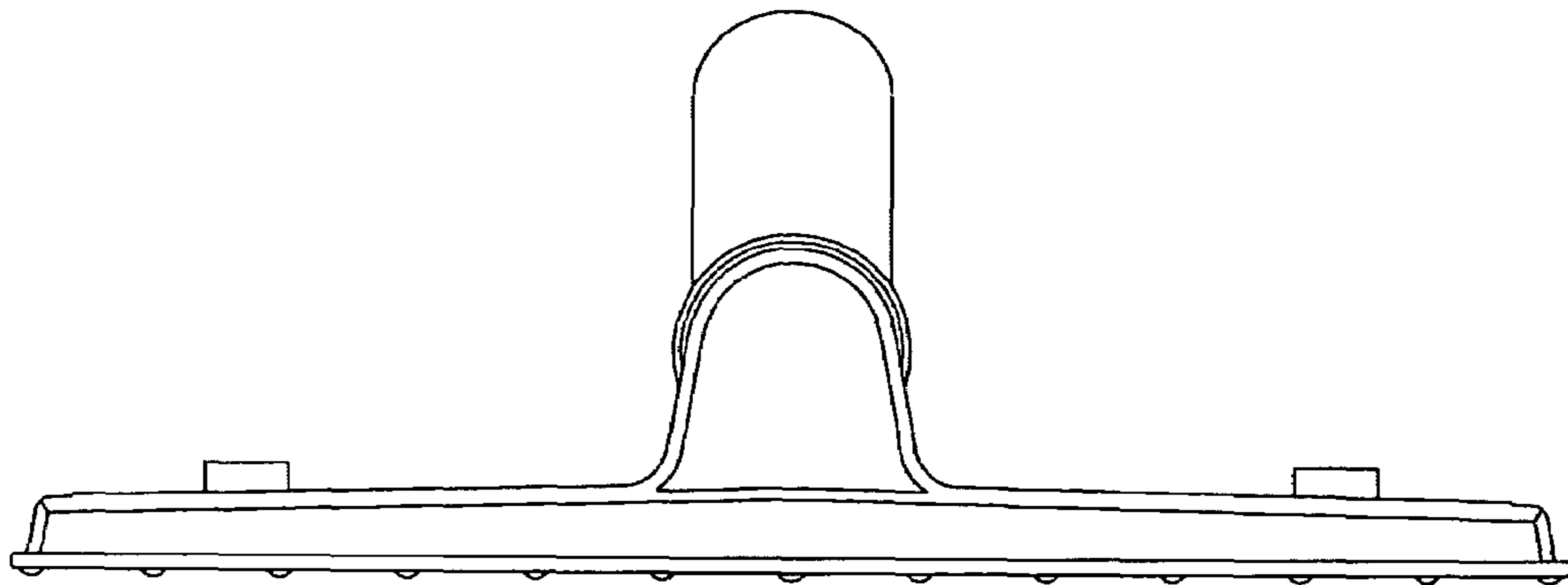


FIG. 3

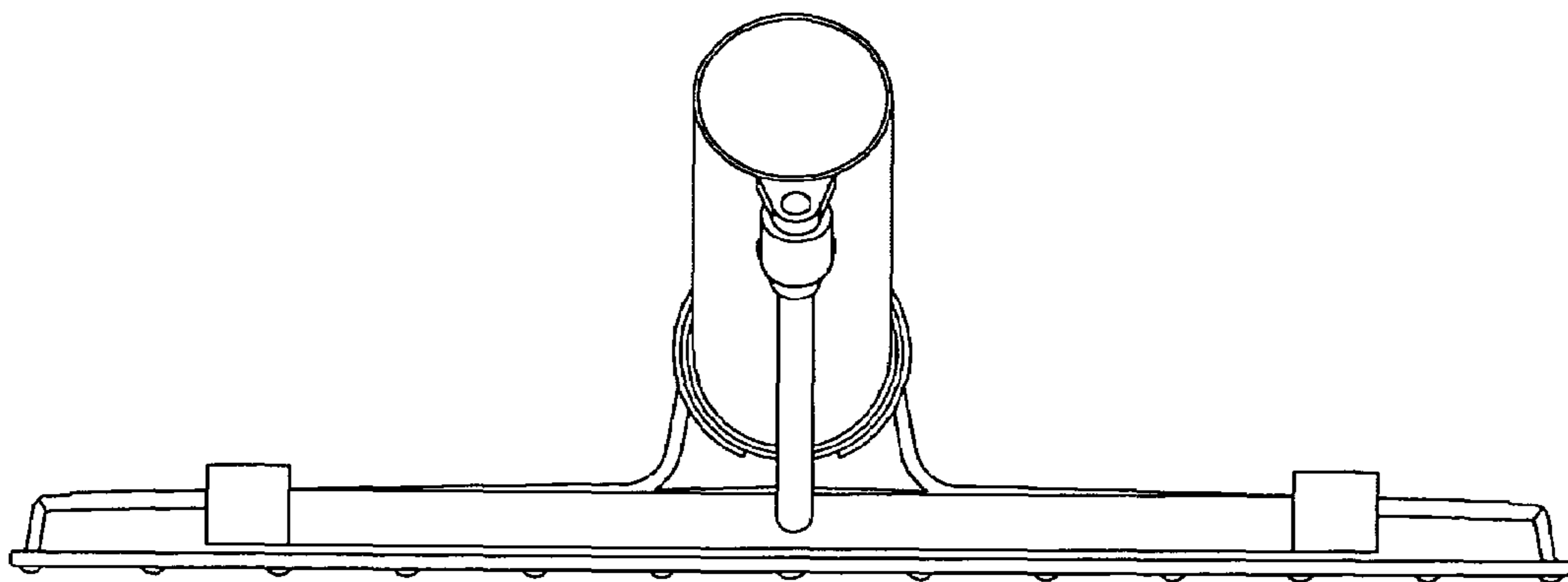


FIG. 4

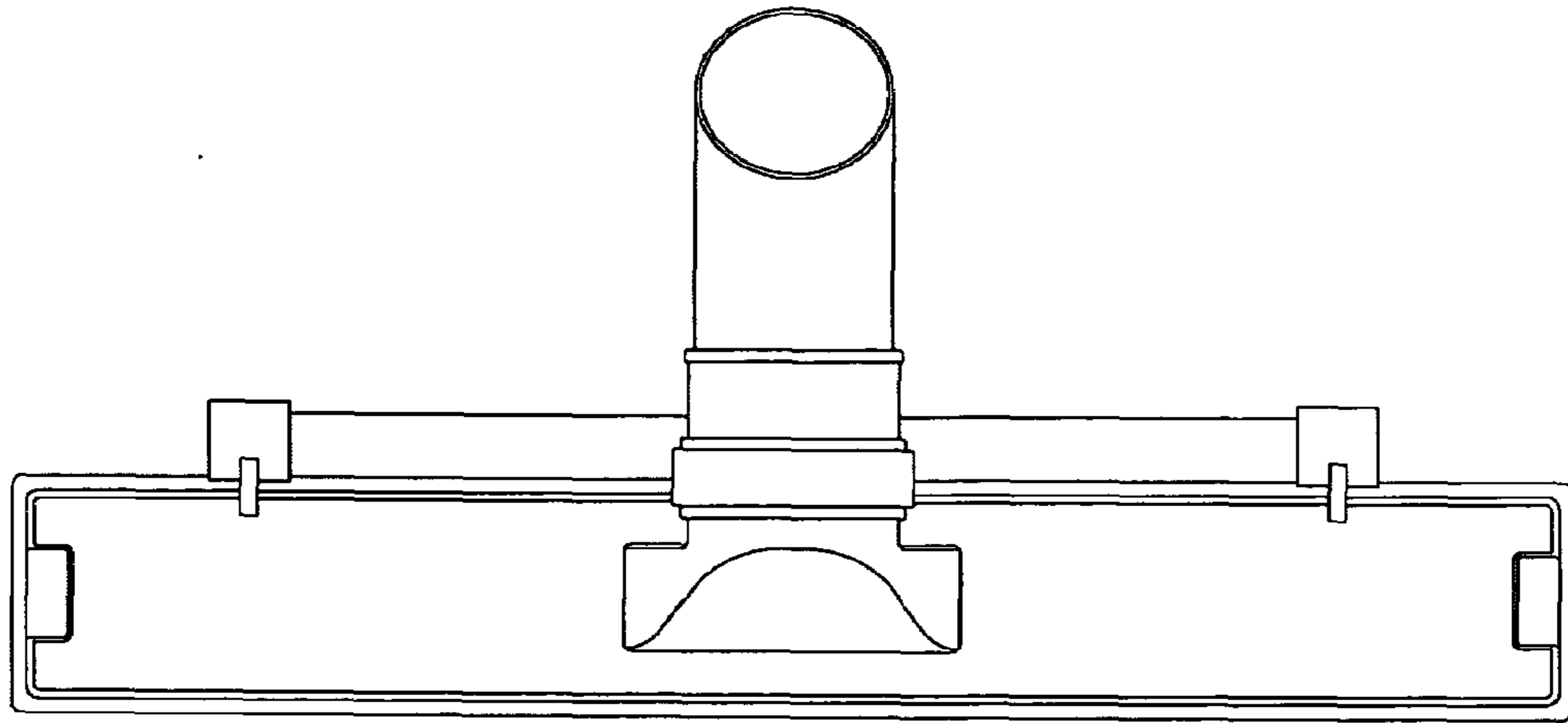


FIG. 5

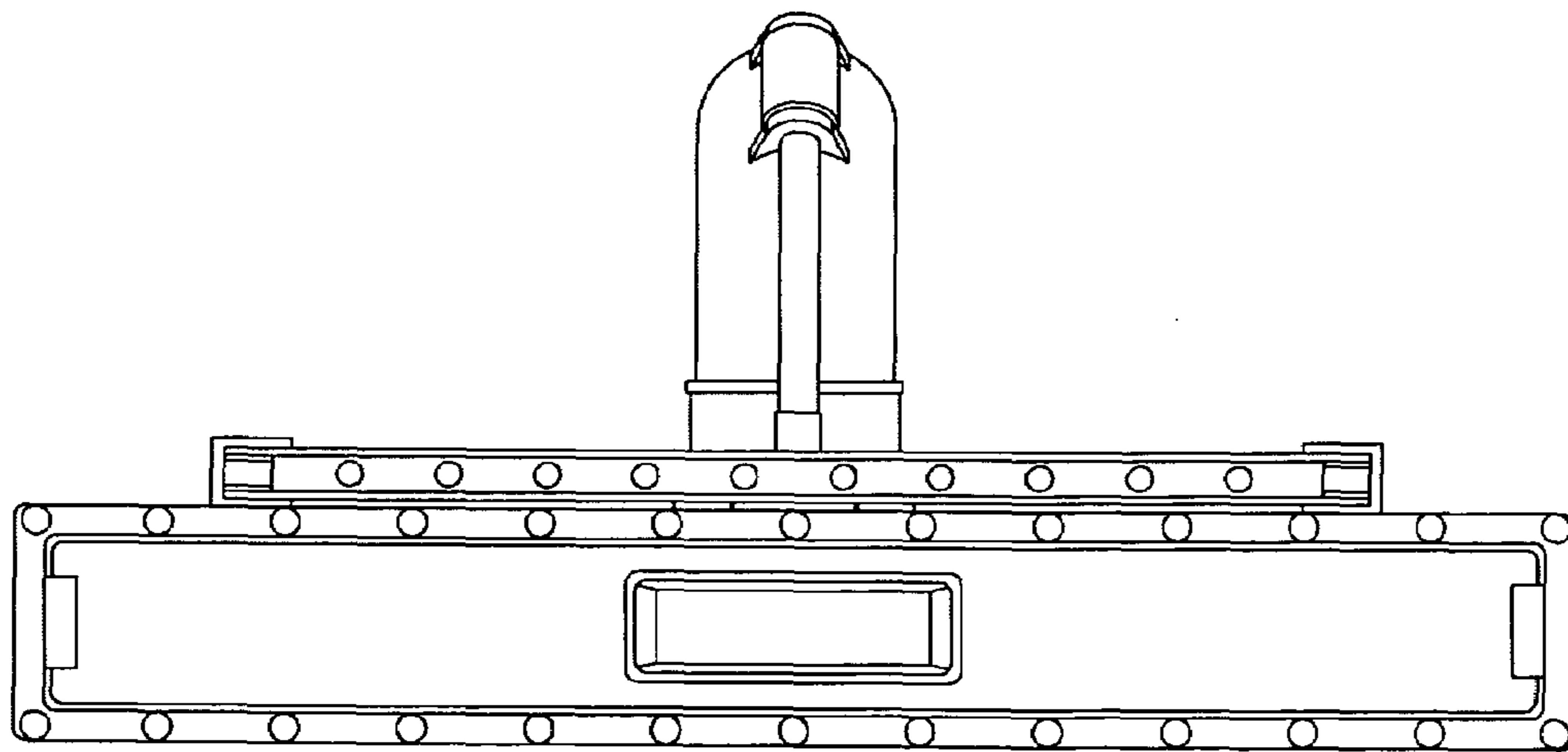


FIG. 6

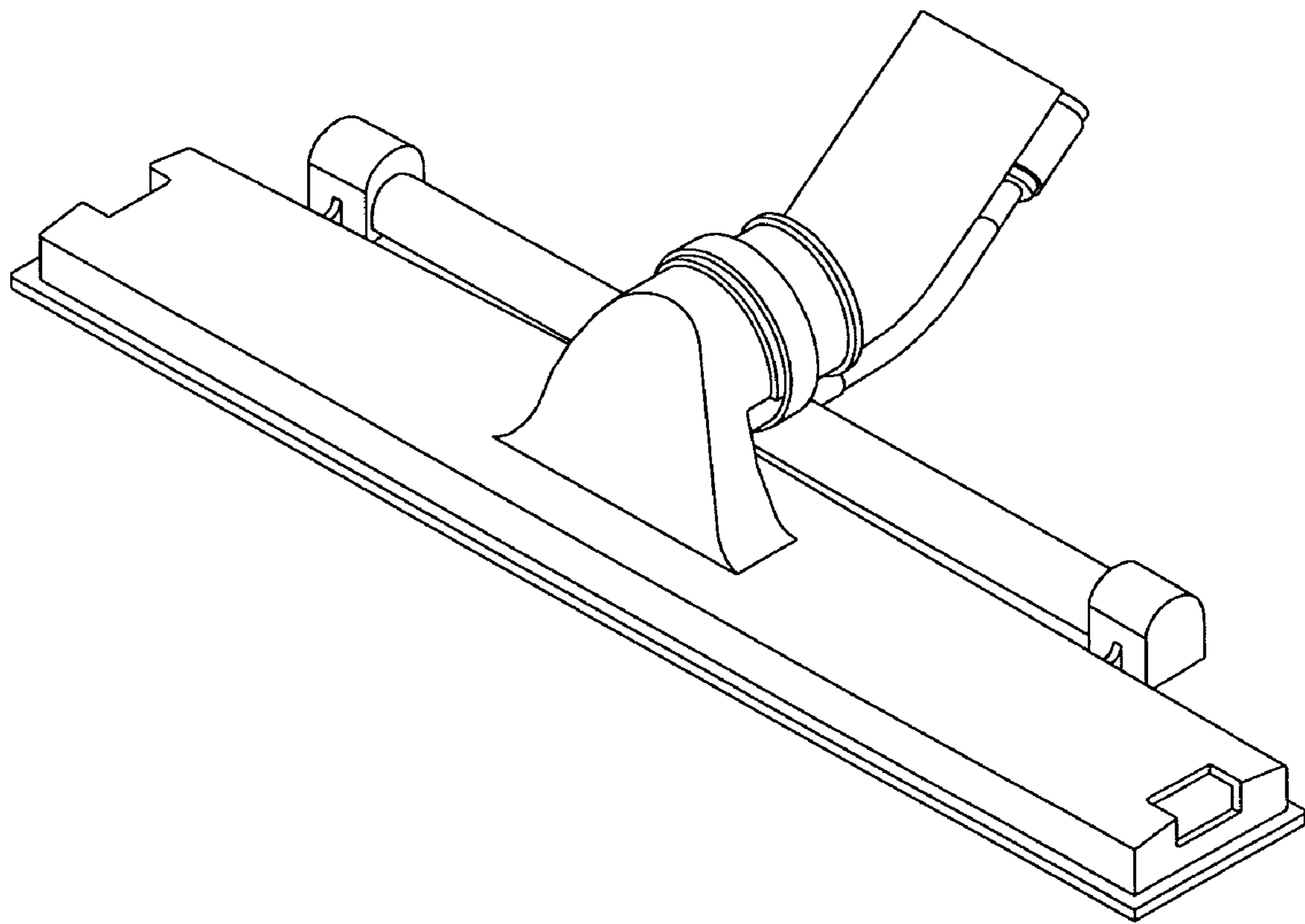


FIG. 7

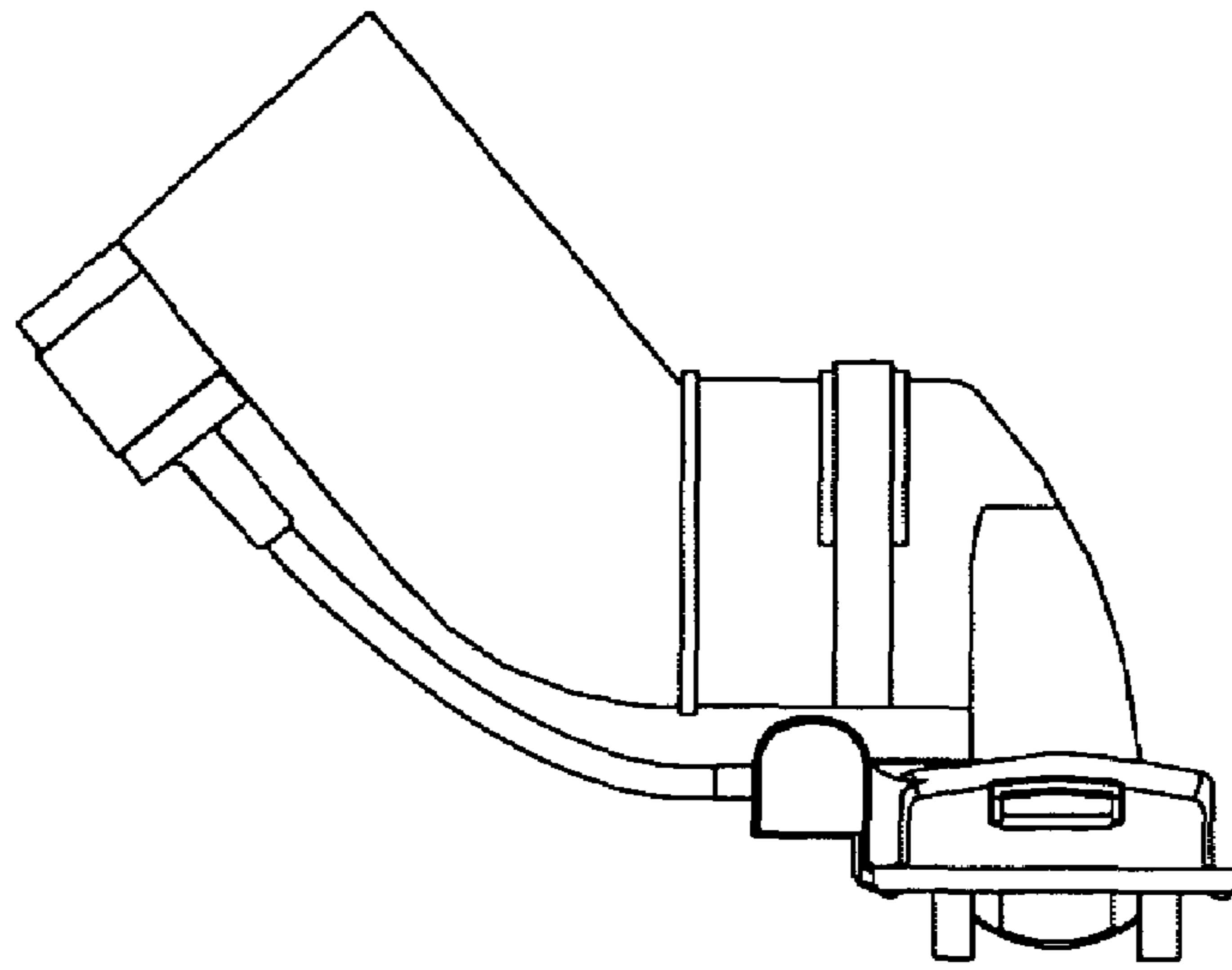


FIG. 8

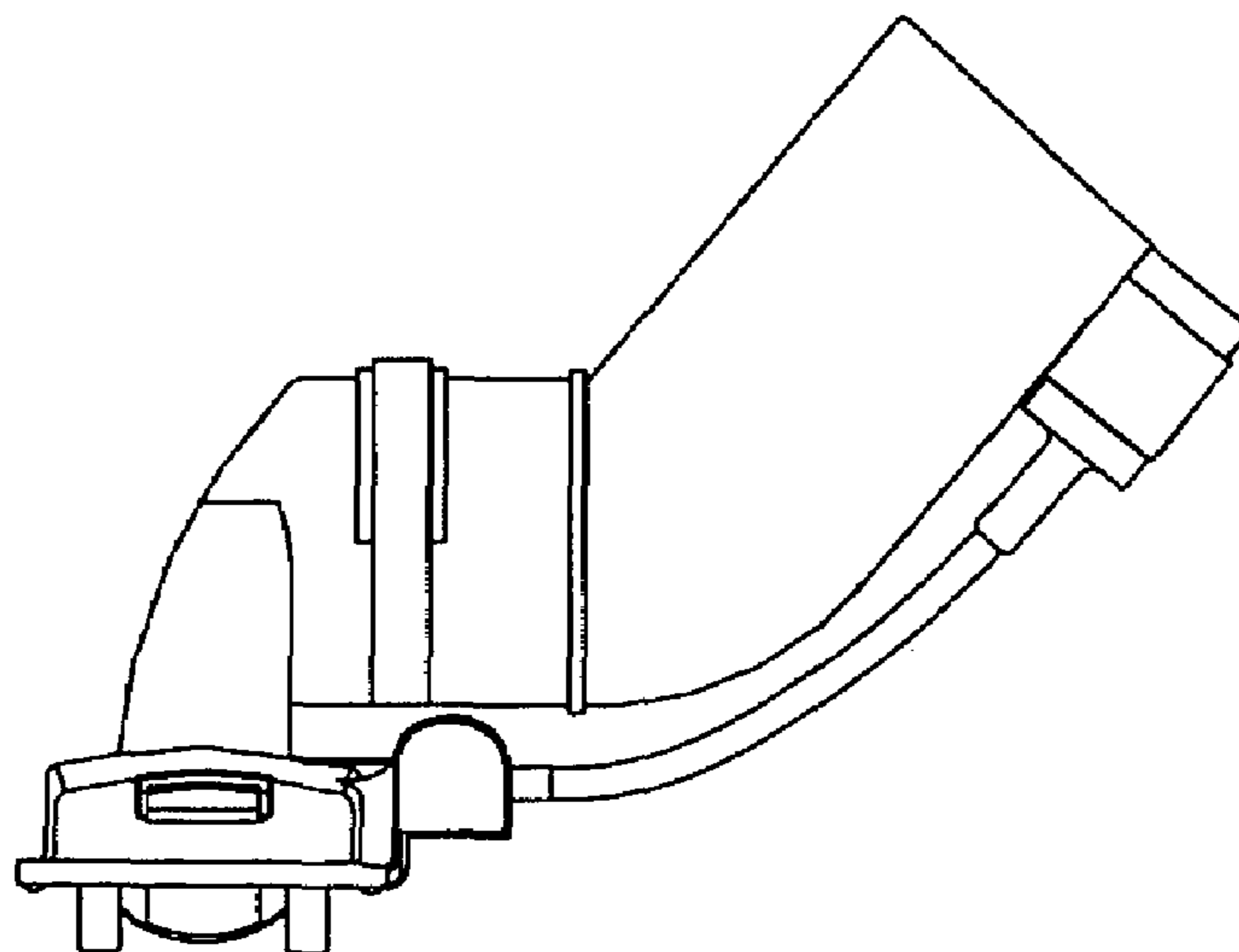


FIG. 9

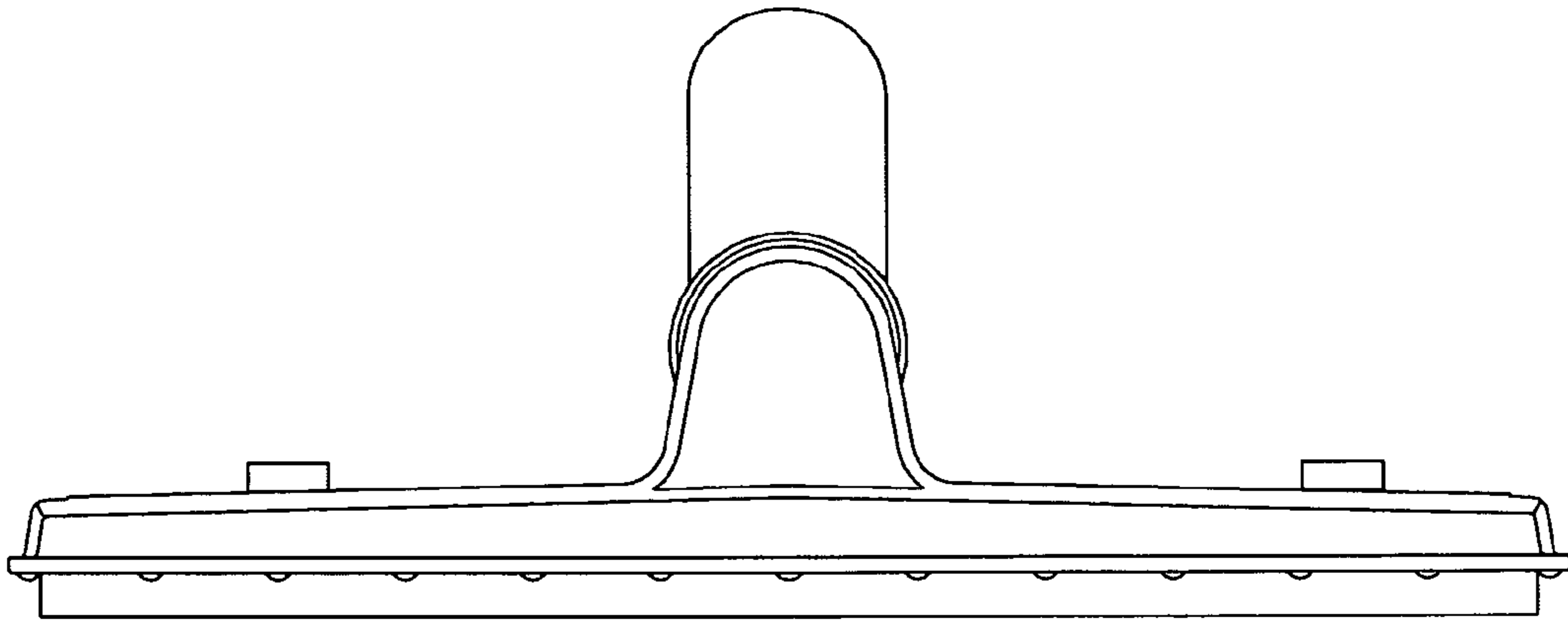


FIG. 10

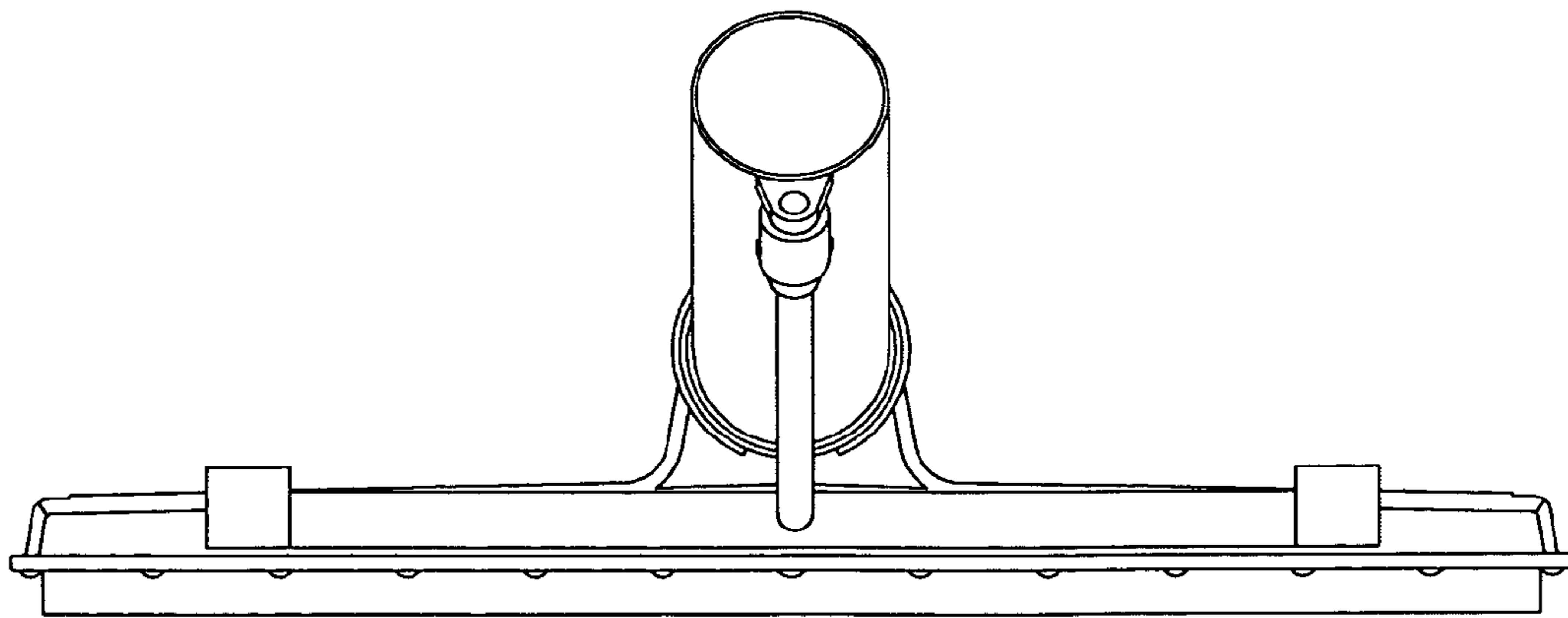


FIG. 11

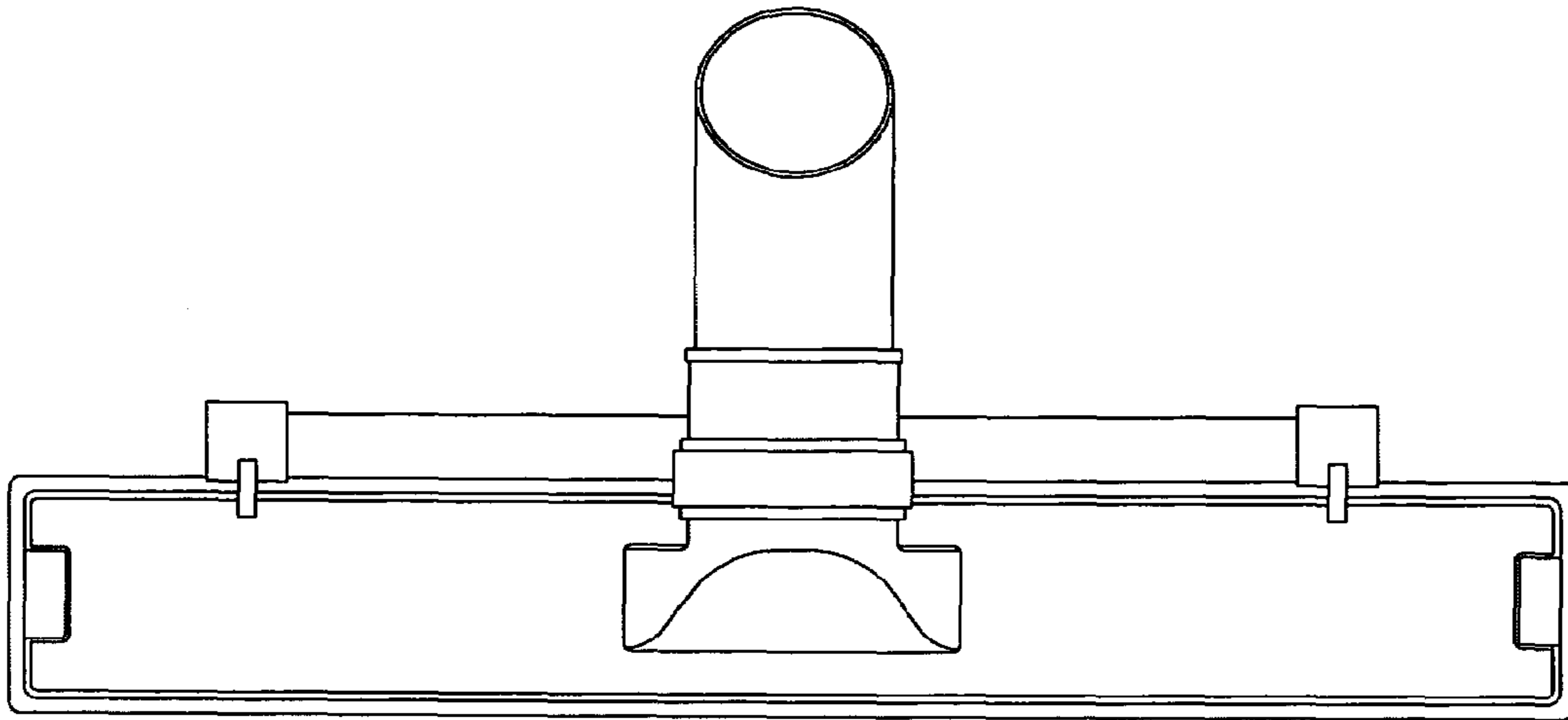


FIG. 12

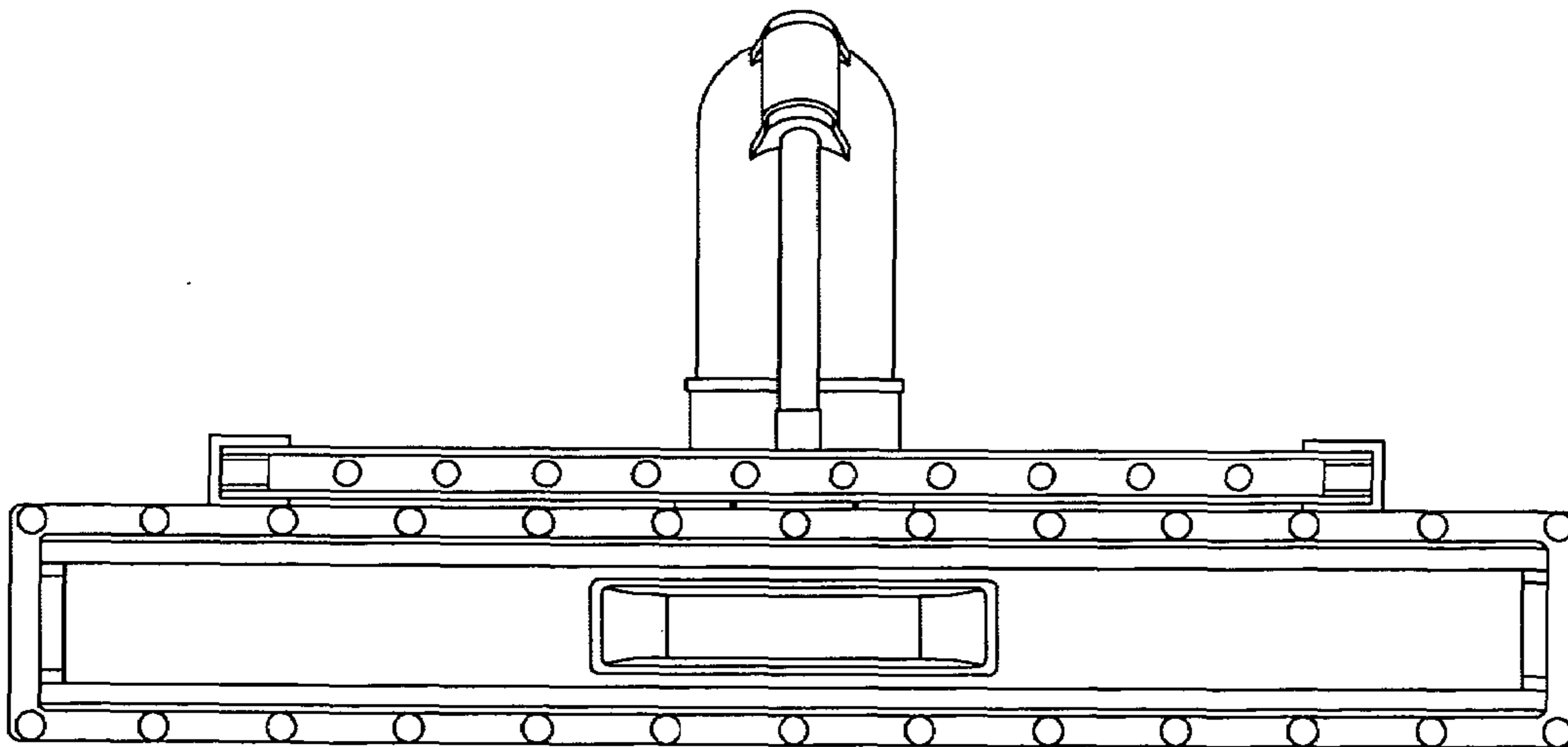


FIG. 13

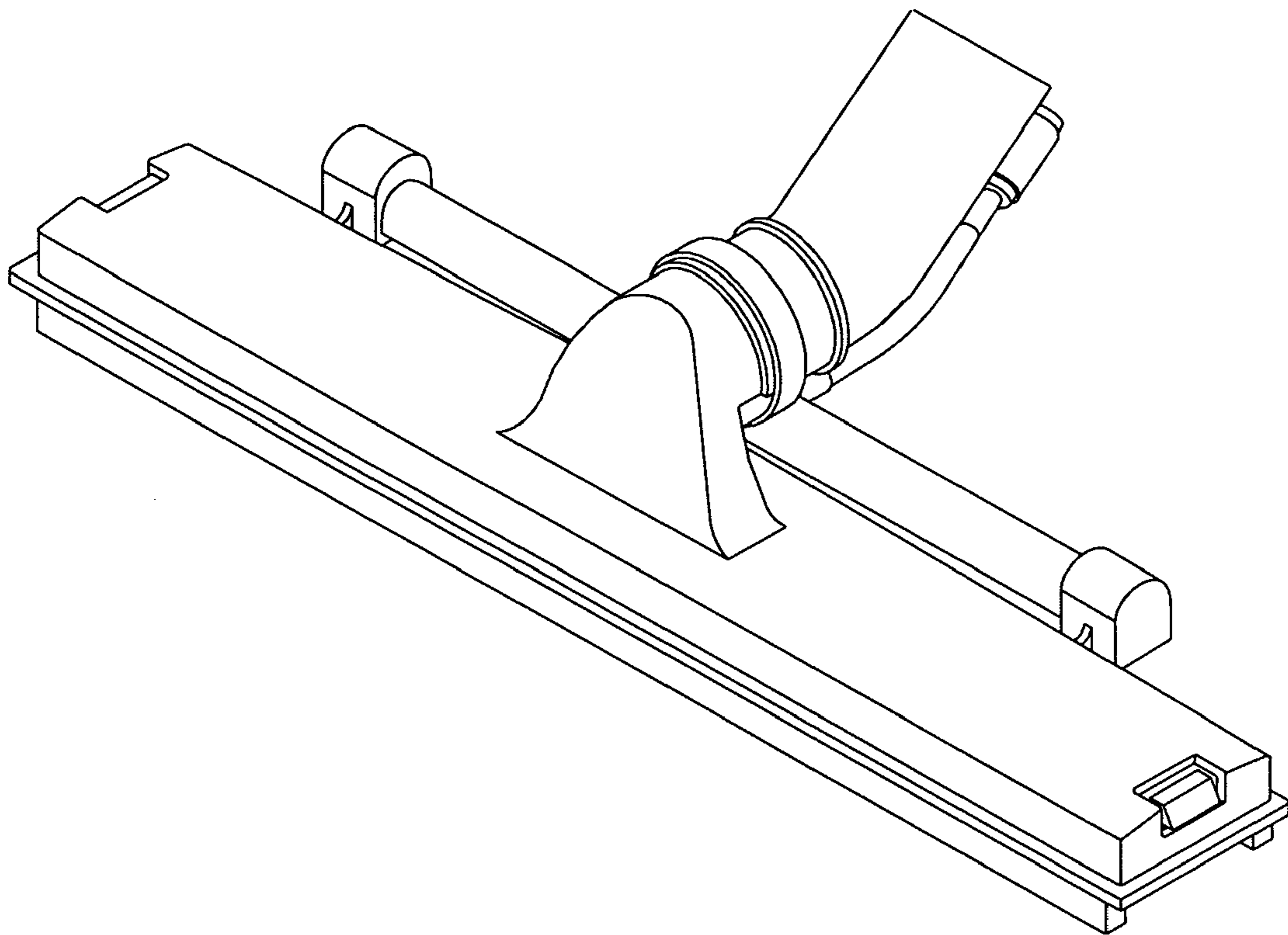


FIG. 14

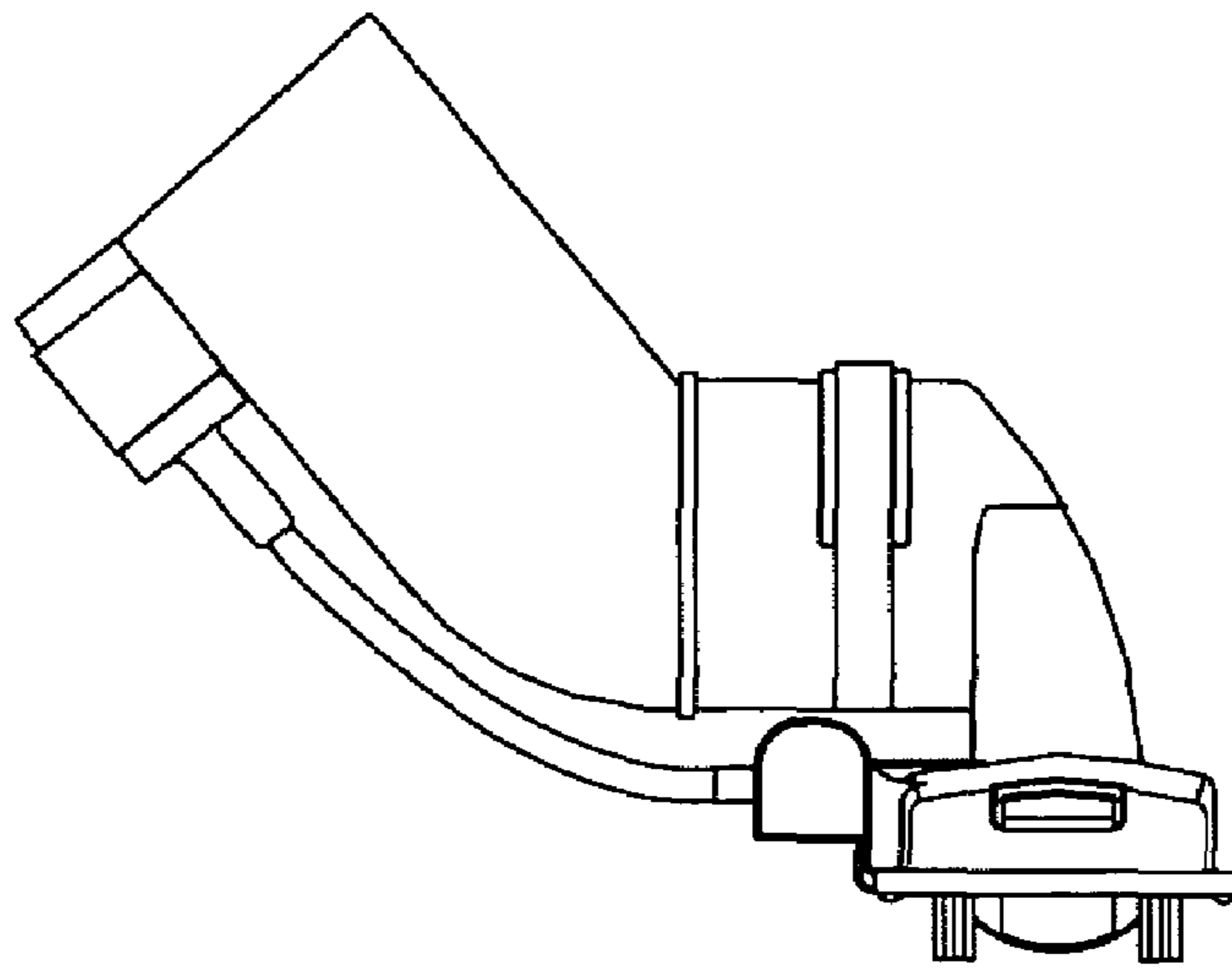


FIG. 15

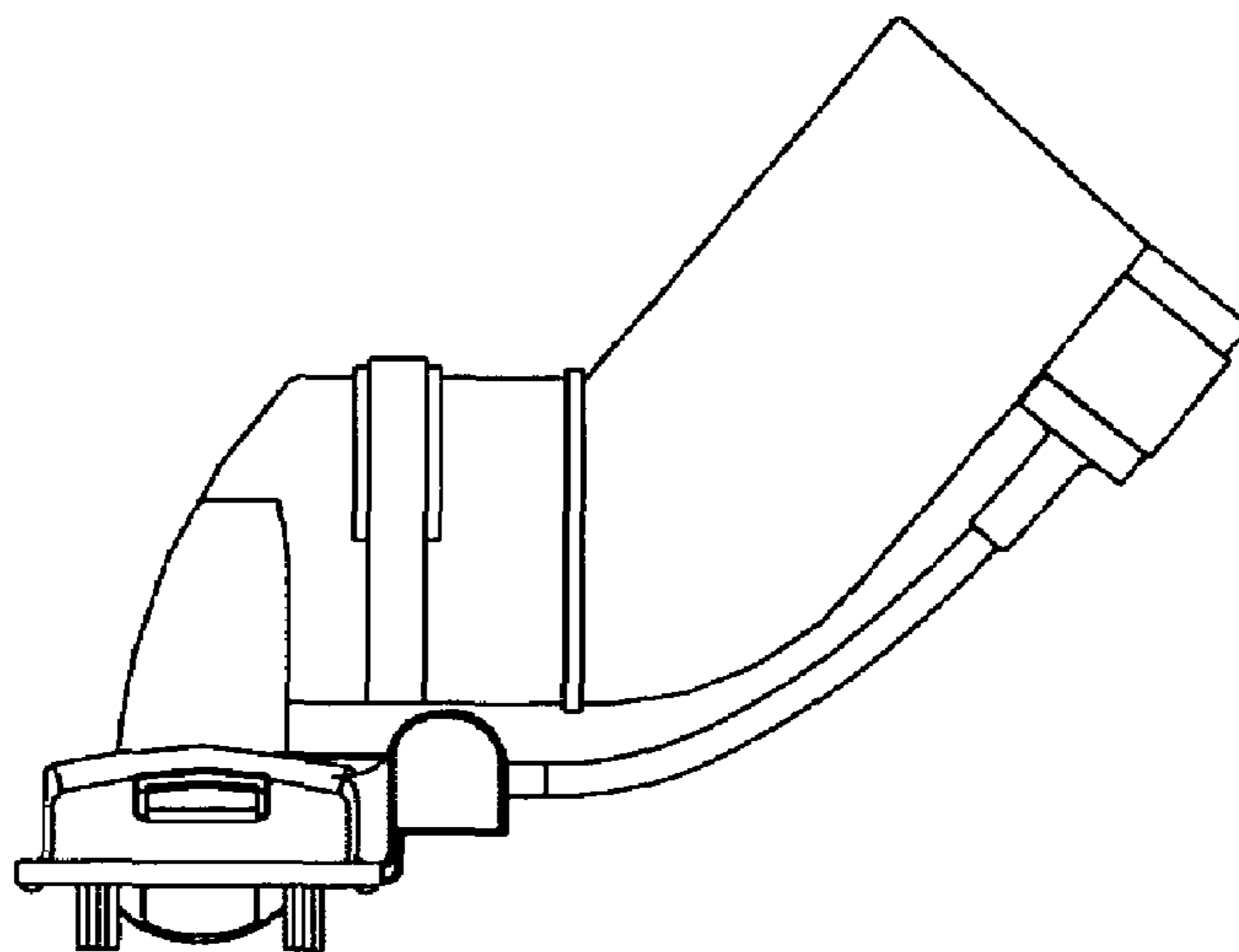


FIG. 16

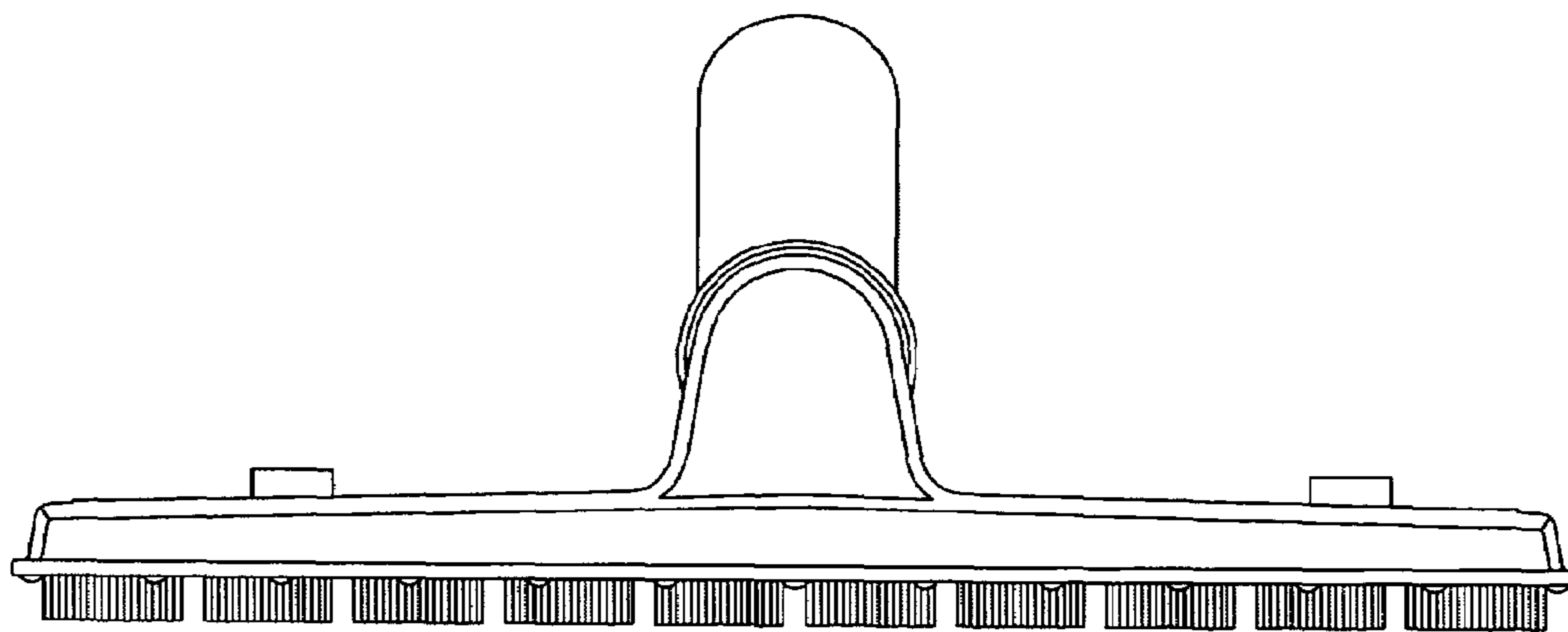


FIG. 17

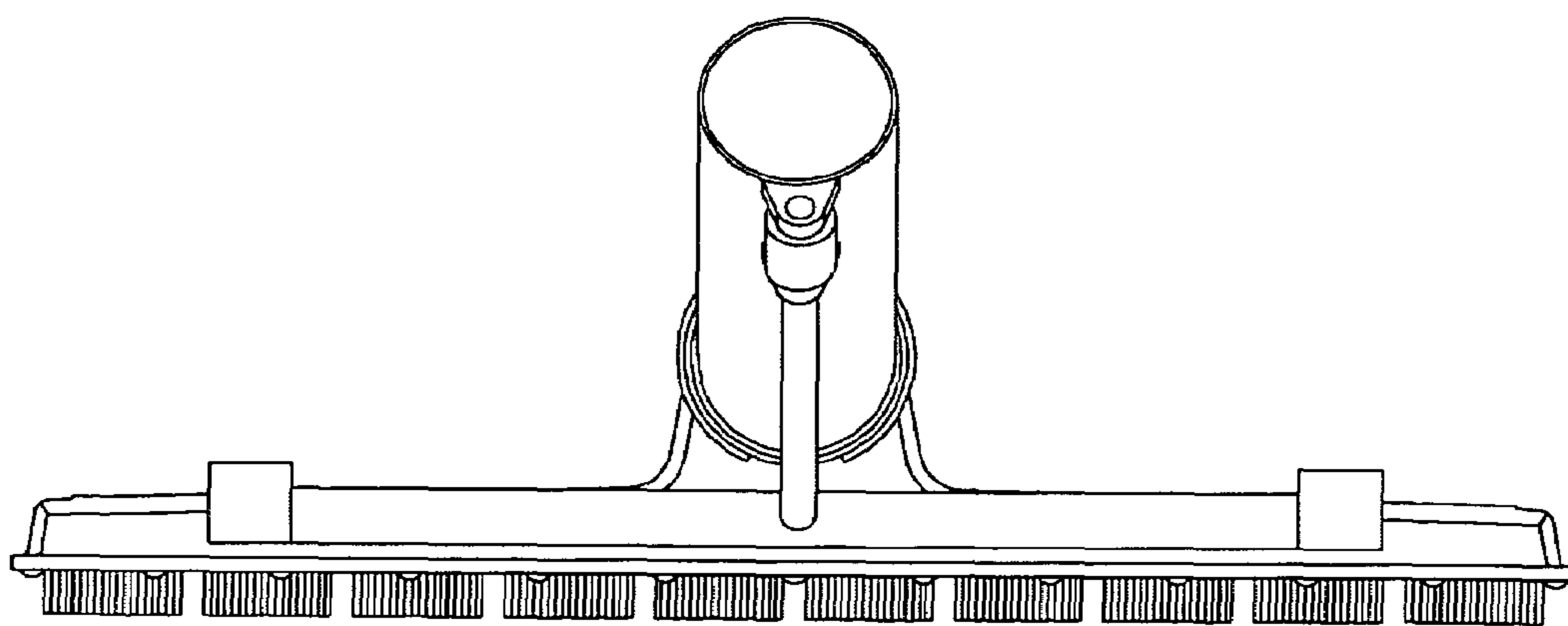


FIG. 18

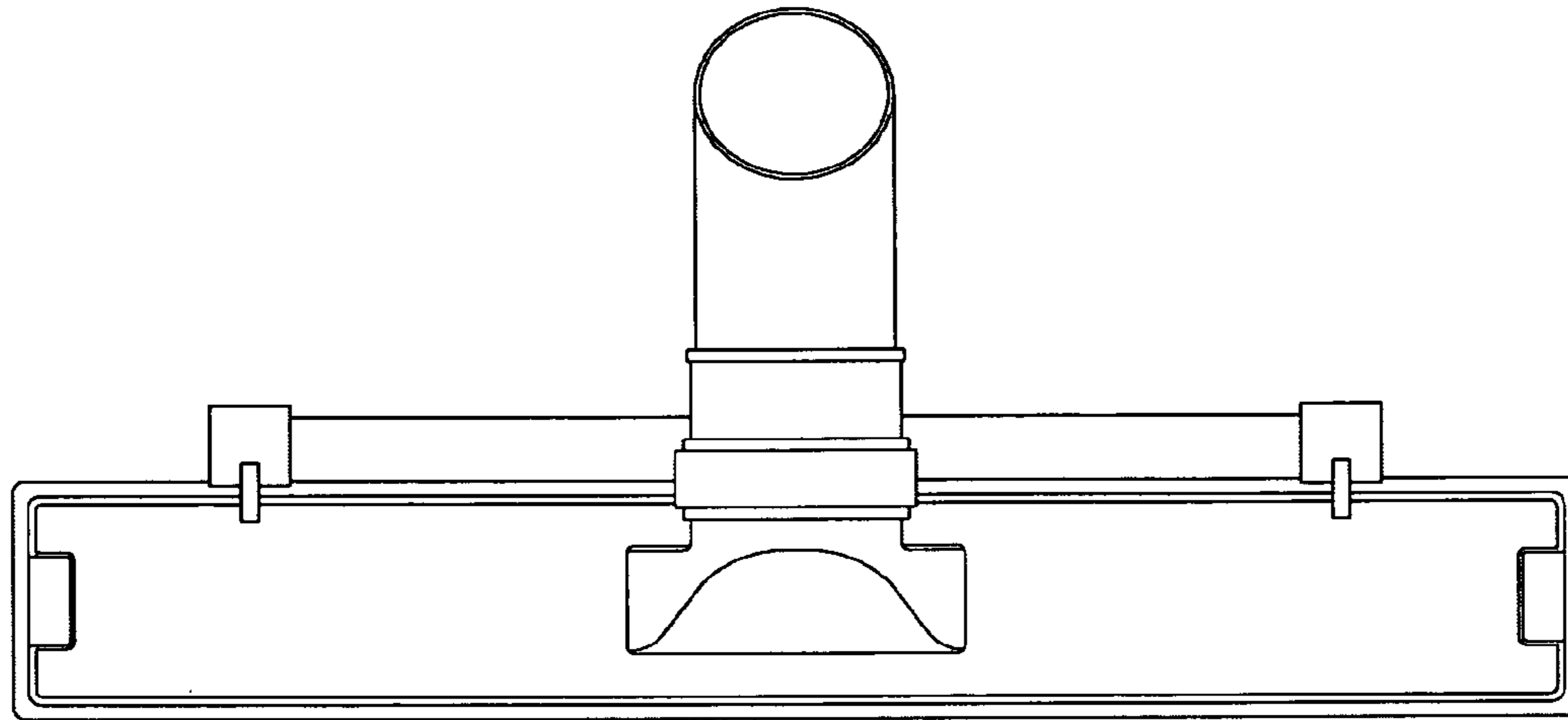


FIG. 19

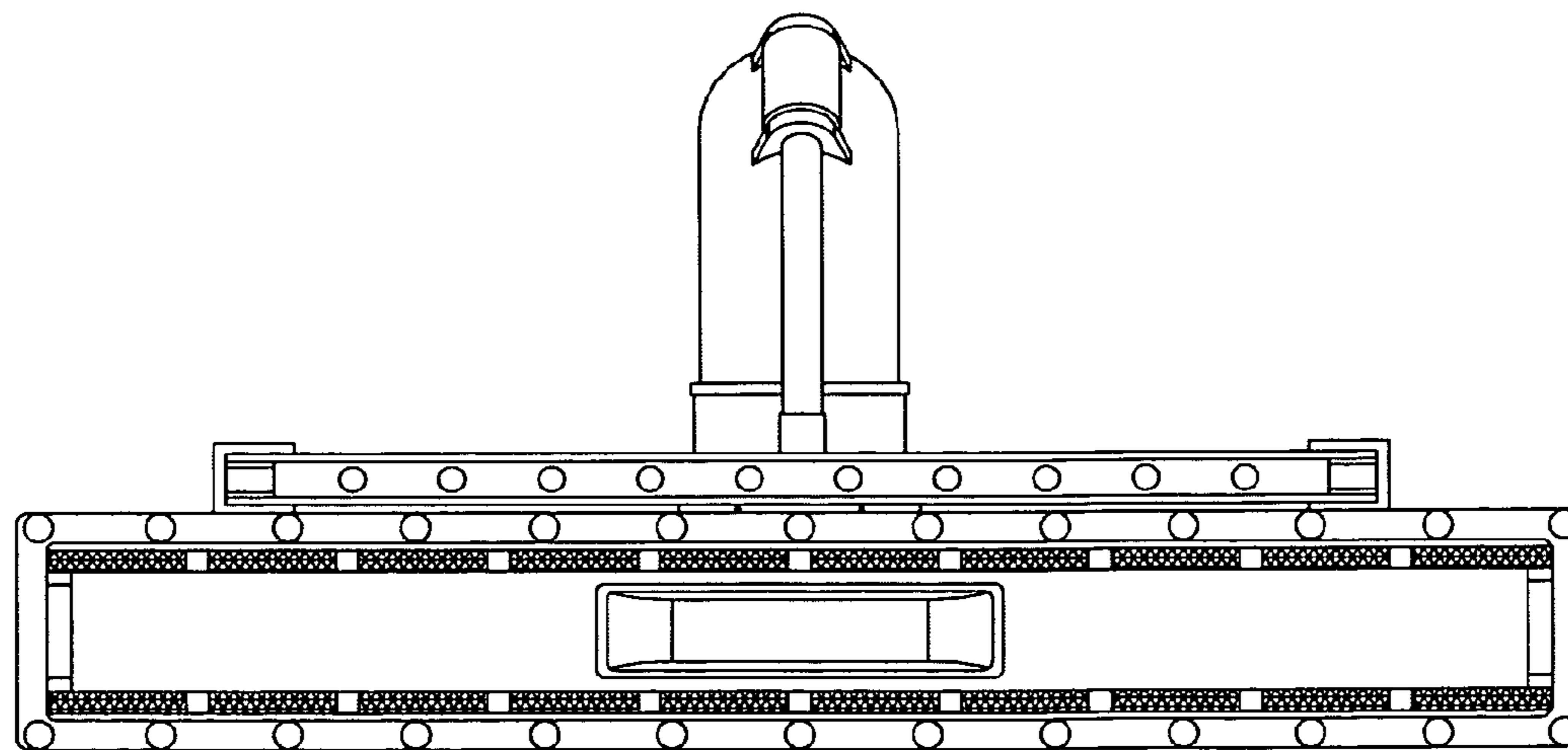


FIG. 20

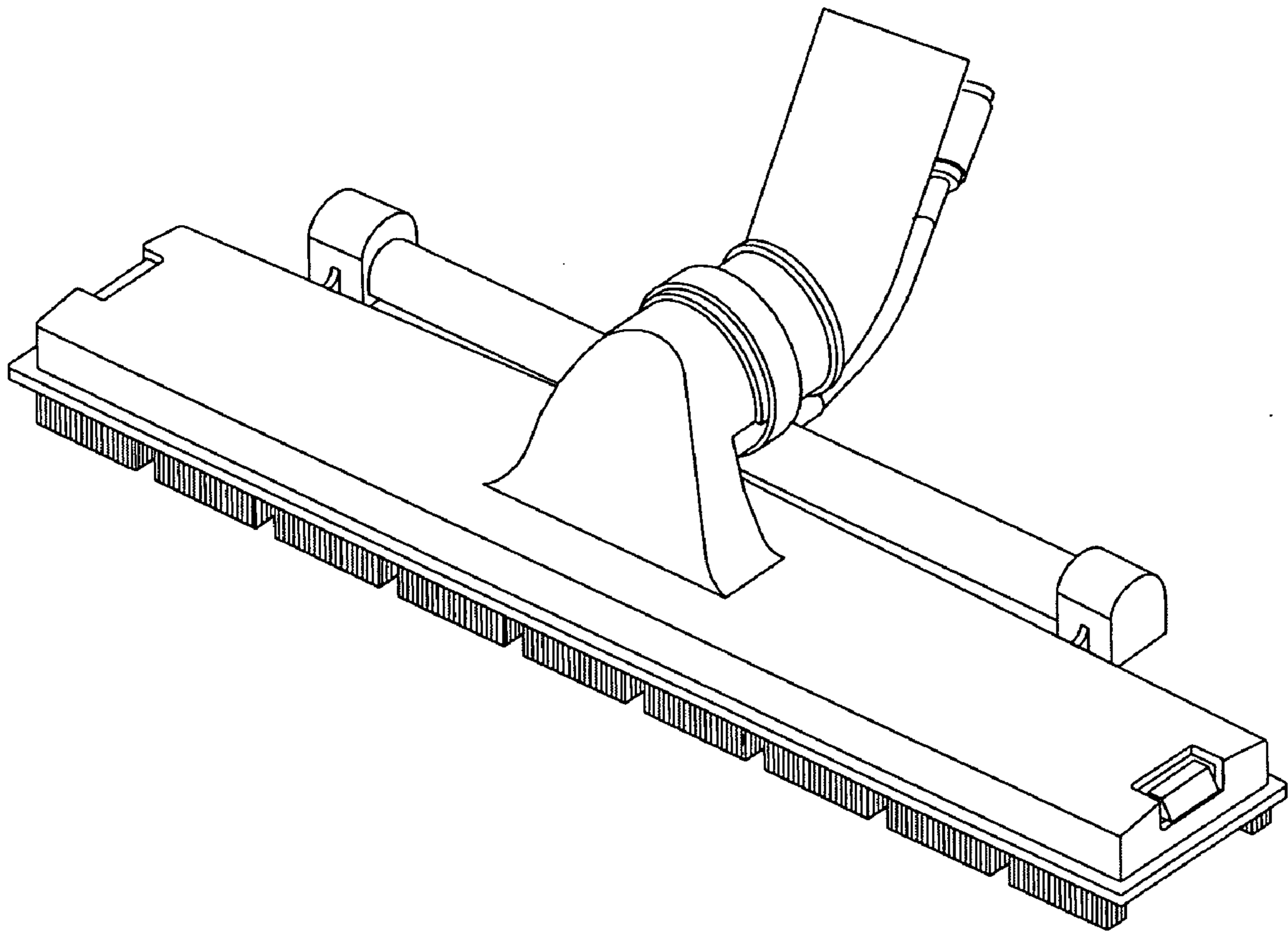


FIG. 21

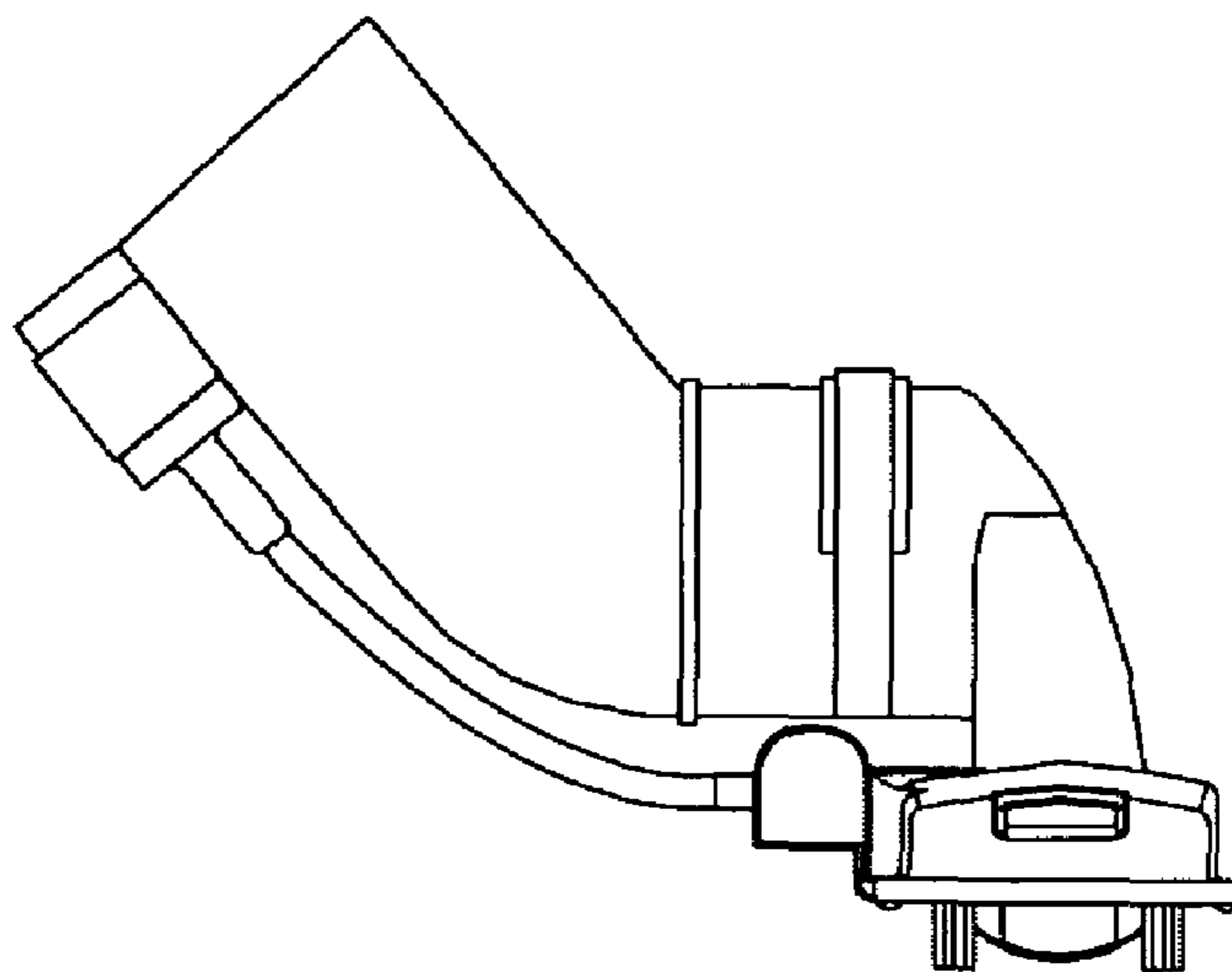


FIG. 22

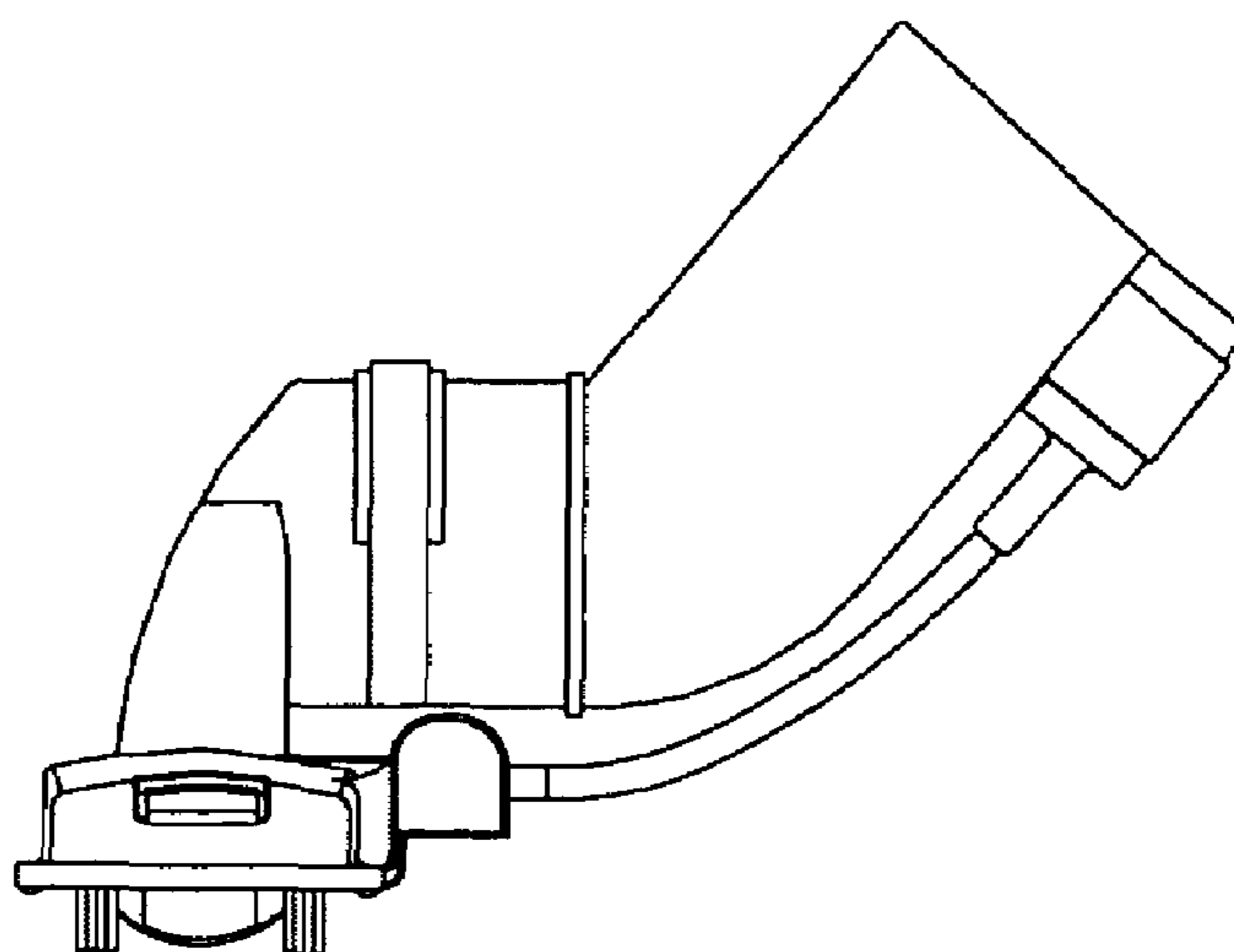


FIG. 23

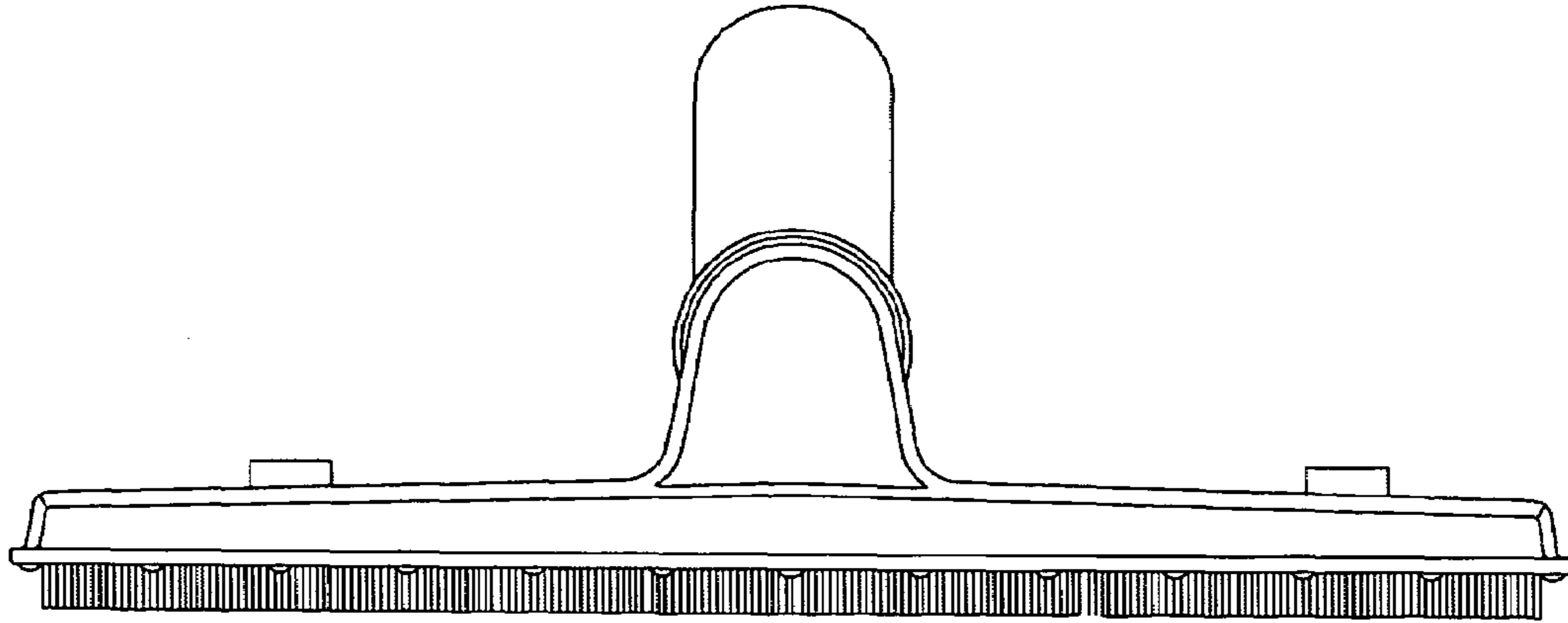


FIG. 24

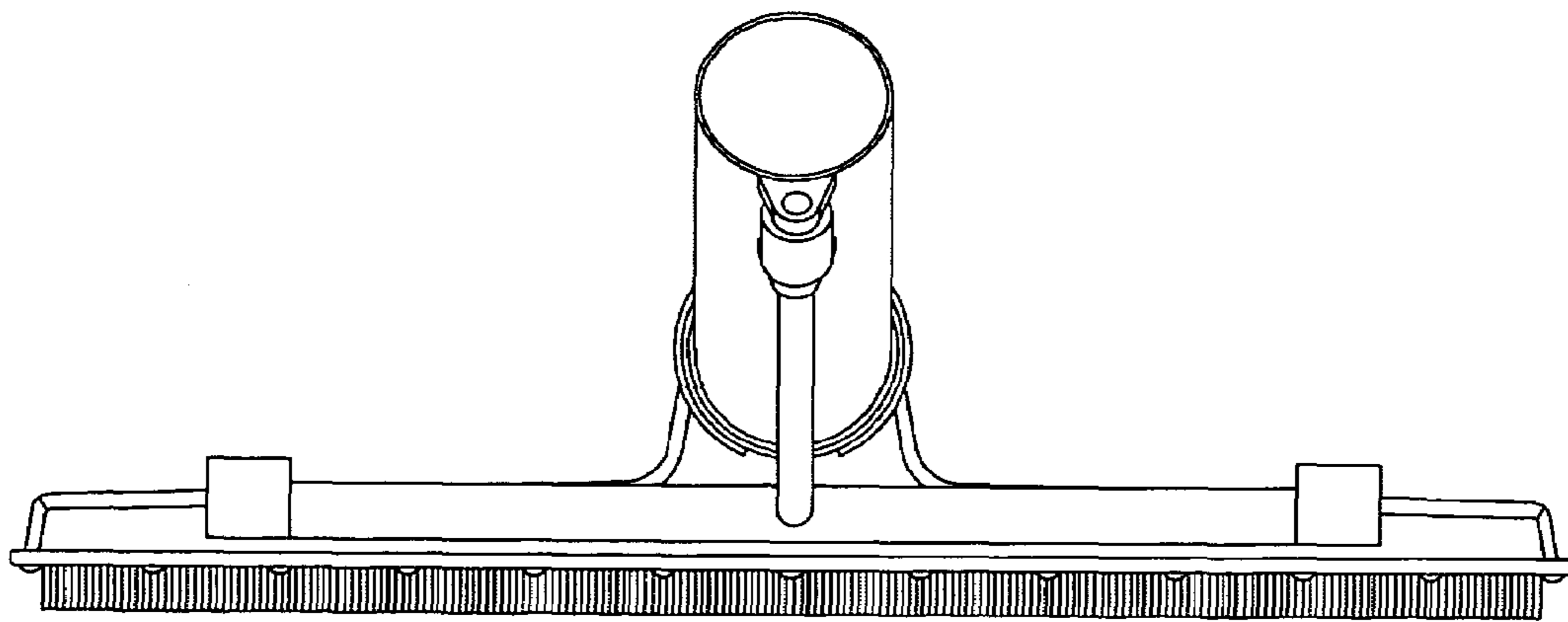


FIG. 25

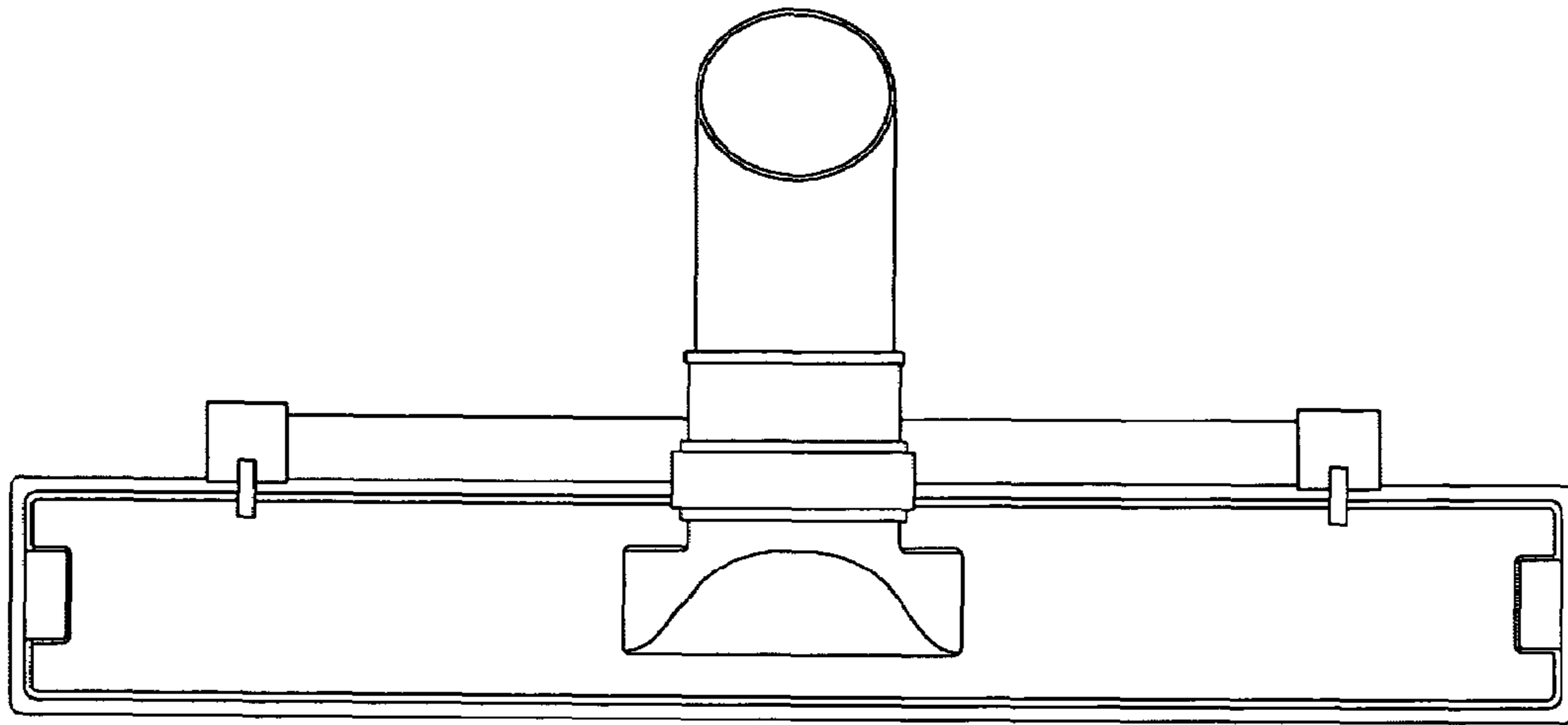


FIG. 26

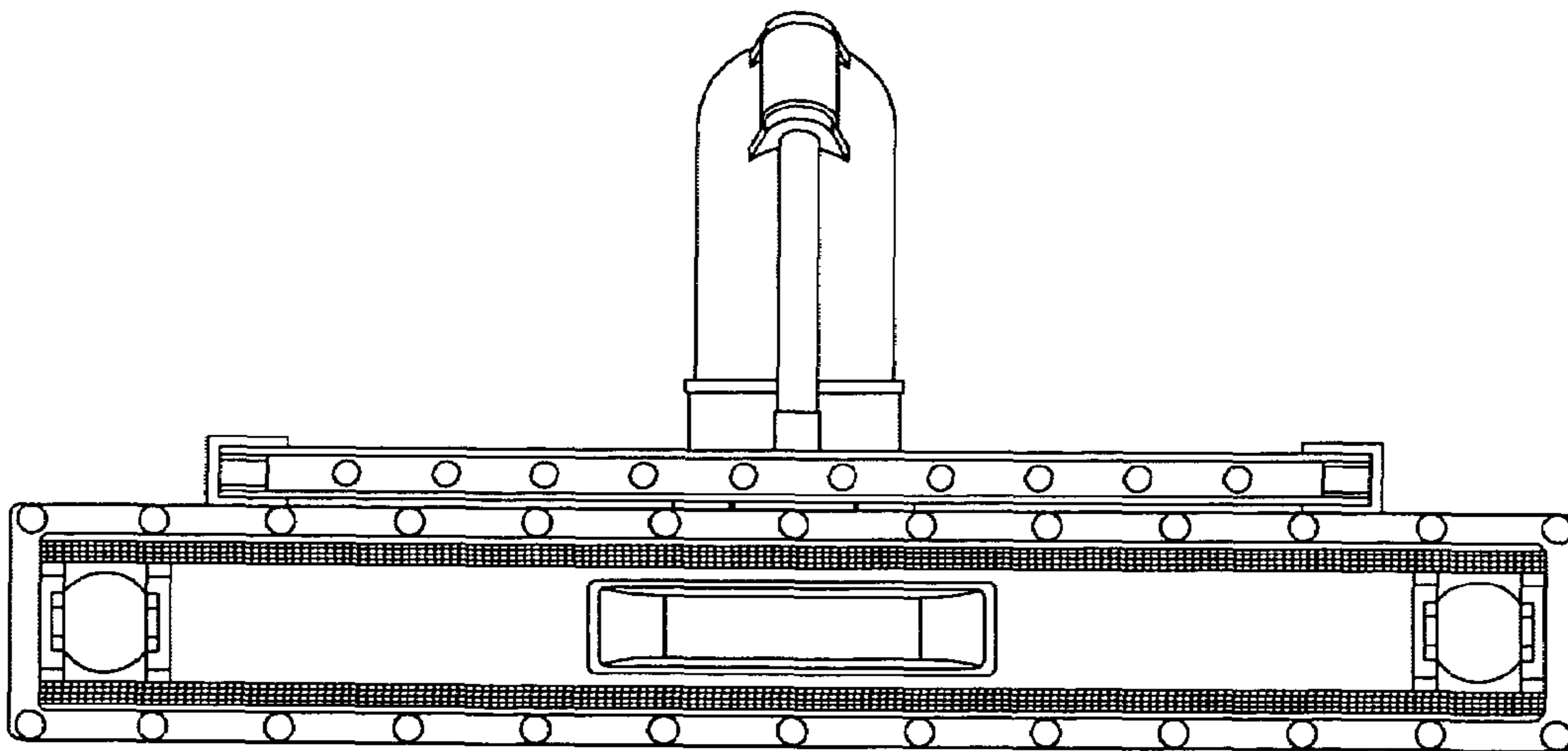


FIG. 27

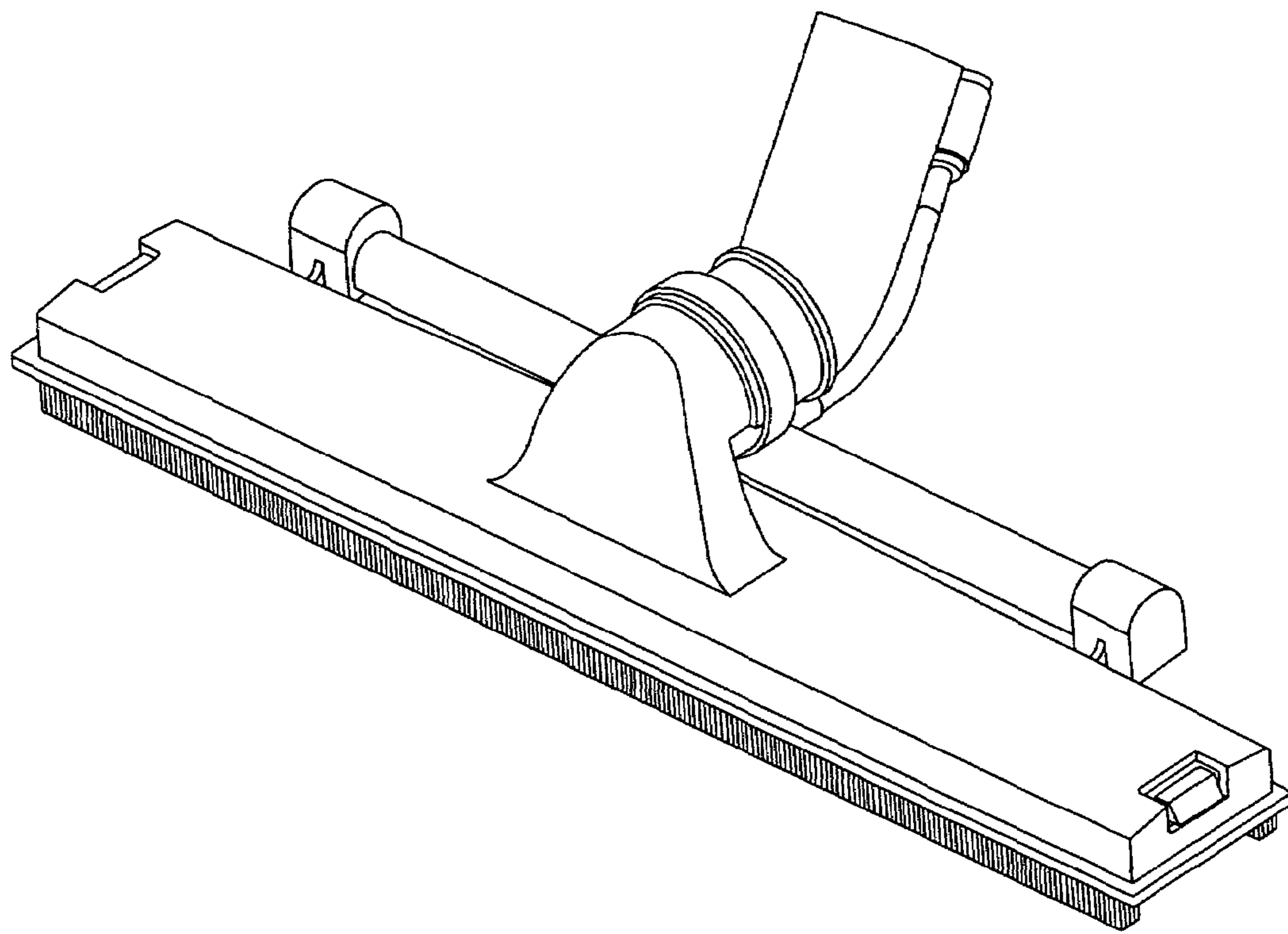


FIG. 28