



US00D580610S

(12) **United States Design Patent**
Hawkins

(10) **Patent No.:** **US D580,610 S**
(45) **Date of Patent:** **** Nov. 11, 2008**

(54) **PRESSURE WASHER FRAME**

(76) Inventor: **Bobby L. Hawkins**, 4 New Circle Rd.,
Travelers Rest, SC (US) 29690

(**) Term: **14 Years**

(21) Appl. No.: **29/291,424**

(22) Filed: **Aug. 28, 2007**

(51) **LOC (8) Cl.** **15-05**

(52) **U.S. Cl.** **D32/25**

(58) **Field of Classification Search** D32/1,
D32/4, 15-16, 25, 17-18, 21; 15/320-321,
15/340.1-340.2; 239/146-147, 525, 532;
D34/12-27; D23/225; 417/360, 364
See application file for complete search history.

(56) **References Cited**

U.S. PATENT DOCUMENTS

4,632,627	A *	12/1986	Swallows	414/490
5,217,238	A *	6/1993	Cyphers et al.	280/47.18
D375,590	S	11/1996	Steinhart et al.		
D444,279	S	6/2001	Kristiansen et al.		
6,279,838	B1 *	8/2001	Sivells et al.	239/146
D451,257	S *	11/2001	Moritsch	D34/24
D458,423	S	6/2002	Rehkugler et al.		
D463,888	S *	10/2002	Rehkugler et al.	D32/16
D467,692	S	12/2002	Morgan et al.		
D499,848	S	12/2004	Leasure		
6,866,486	B2 *	3/2005	Dexter et al.	417/299

D532,942	S	11/2006	Busschaert		
2006/0083634	A1 *	4/2006	Dexter et al.	417/380
2006/0102745	A1 *	5/2006	Dexter	239/146

* cited by examiner

Primary Examiner—Louis S Zarfaz
Assistant Examiner—Kathleen M Sims
(74) *Attorney, Agent, or Firm*—J. Bennett Mullinax, LLC

(57) **CLAIM**

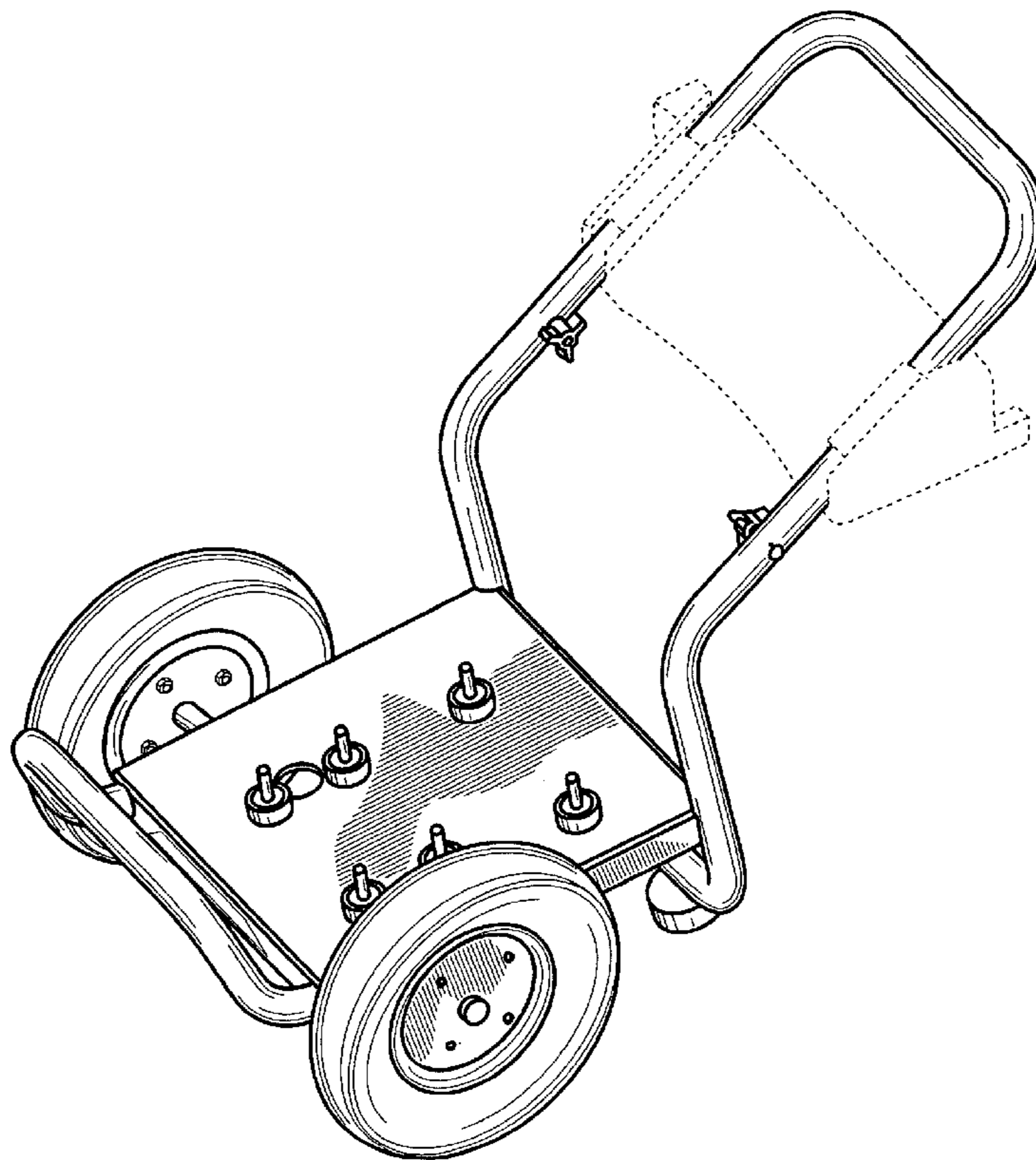
The ornamental design for a pressure washer frame, as shown and described.

DESCRIPTION

FIG. 1 is a left side perspective view of a pressure washer frame showing my new design;
FIG. 2 is a rear view thereof;
FIG. 3 is a front view thereof;
FIG. 4 is a left side view thereof;
FIG. 5 is a right side view thereof;
FIG. 6 is a top plan view thereof; and,
FIG. 7 is a bottom plan view.

The broken line showing of an accessory holder in FIGS. 1-7 is included for the purpose of illustrating environmental portions of the pressure washer frame and forms no part of the claimed design.

1 Claim, 7 Drawing Sheets



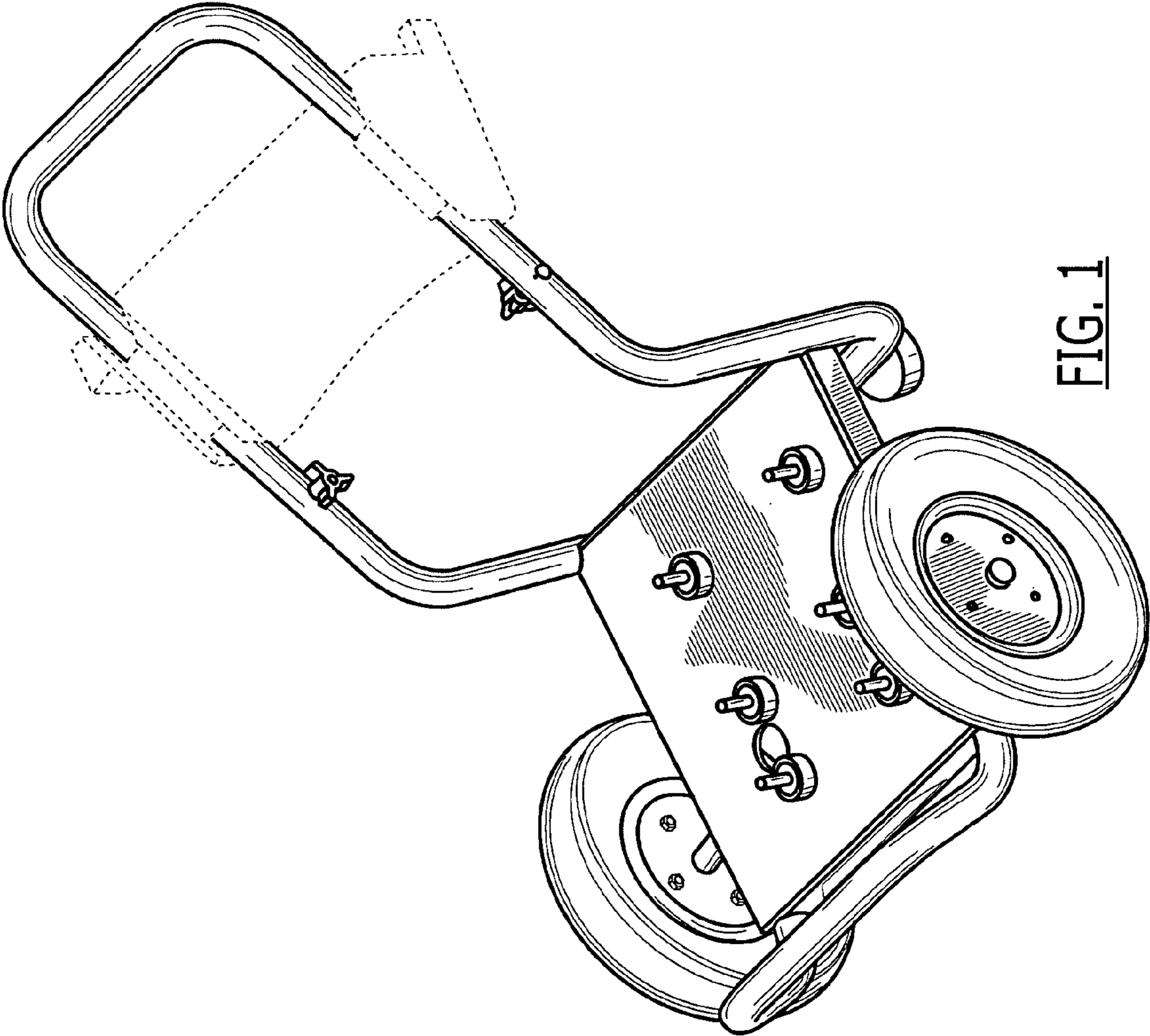


FIG. 1

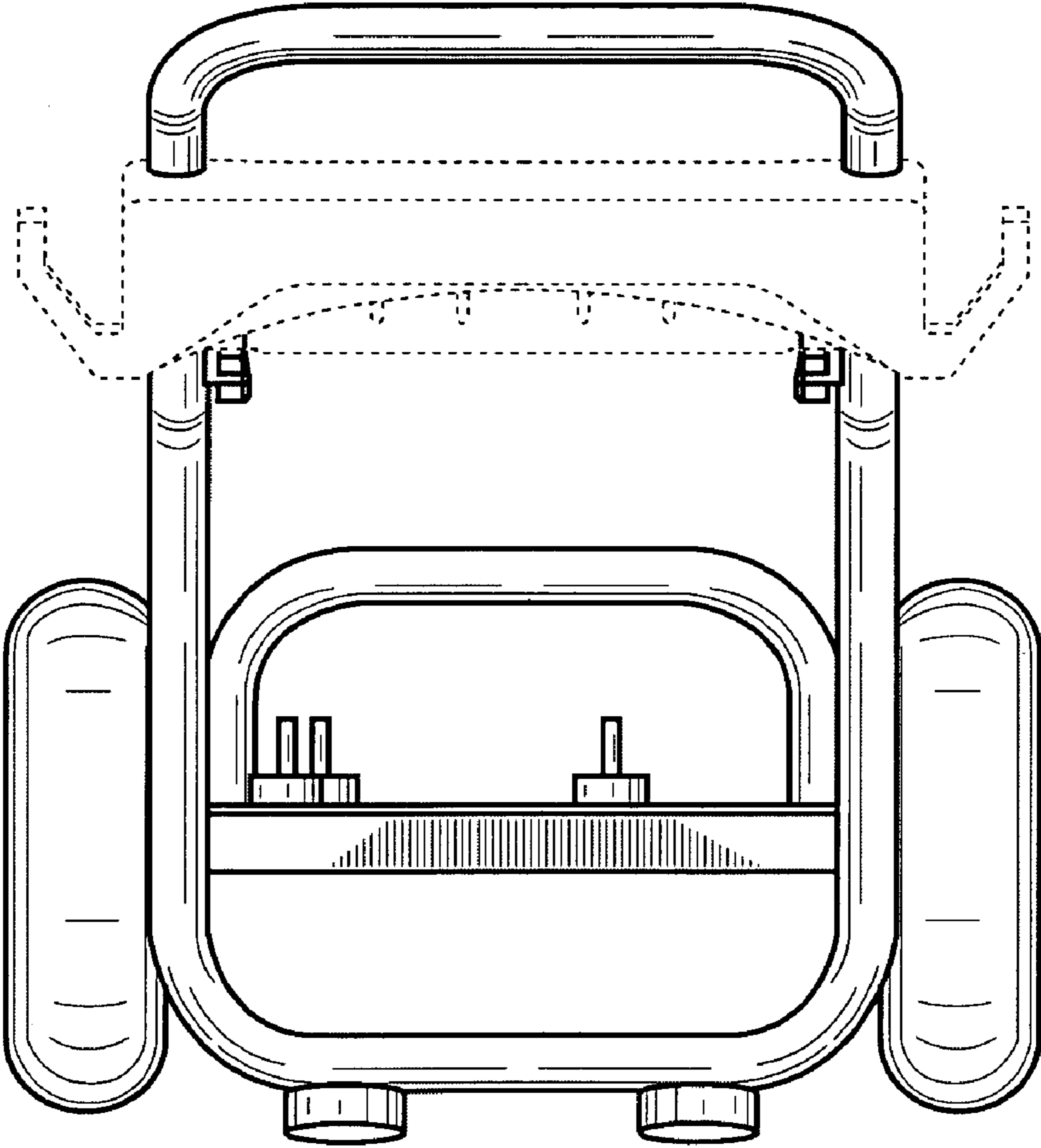


FIG. 2

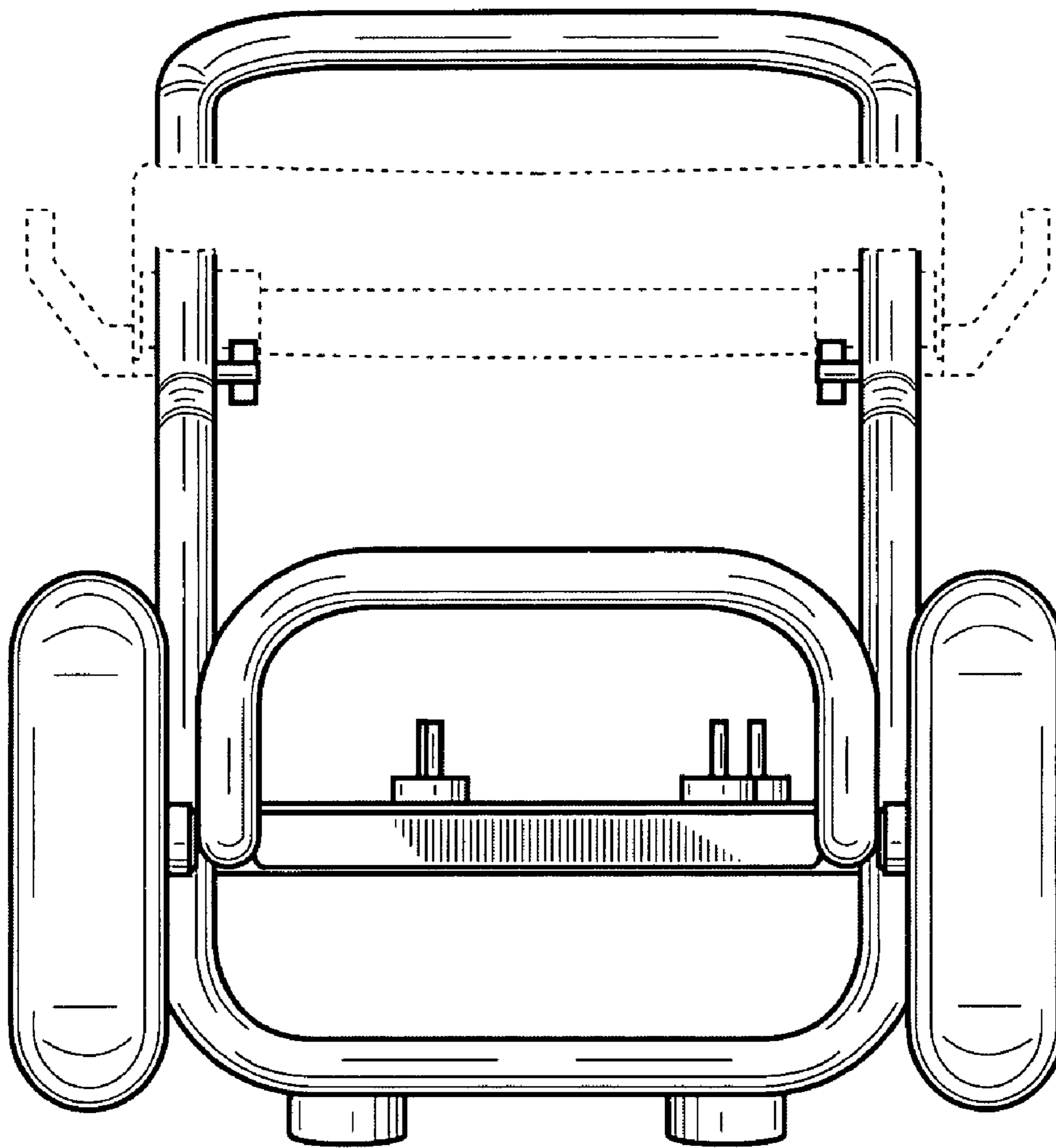


FIG. 3

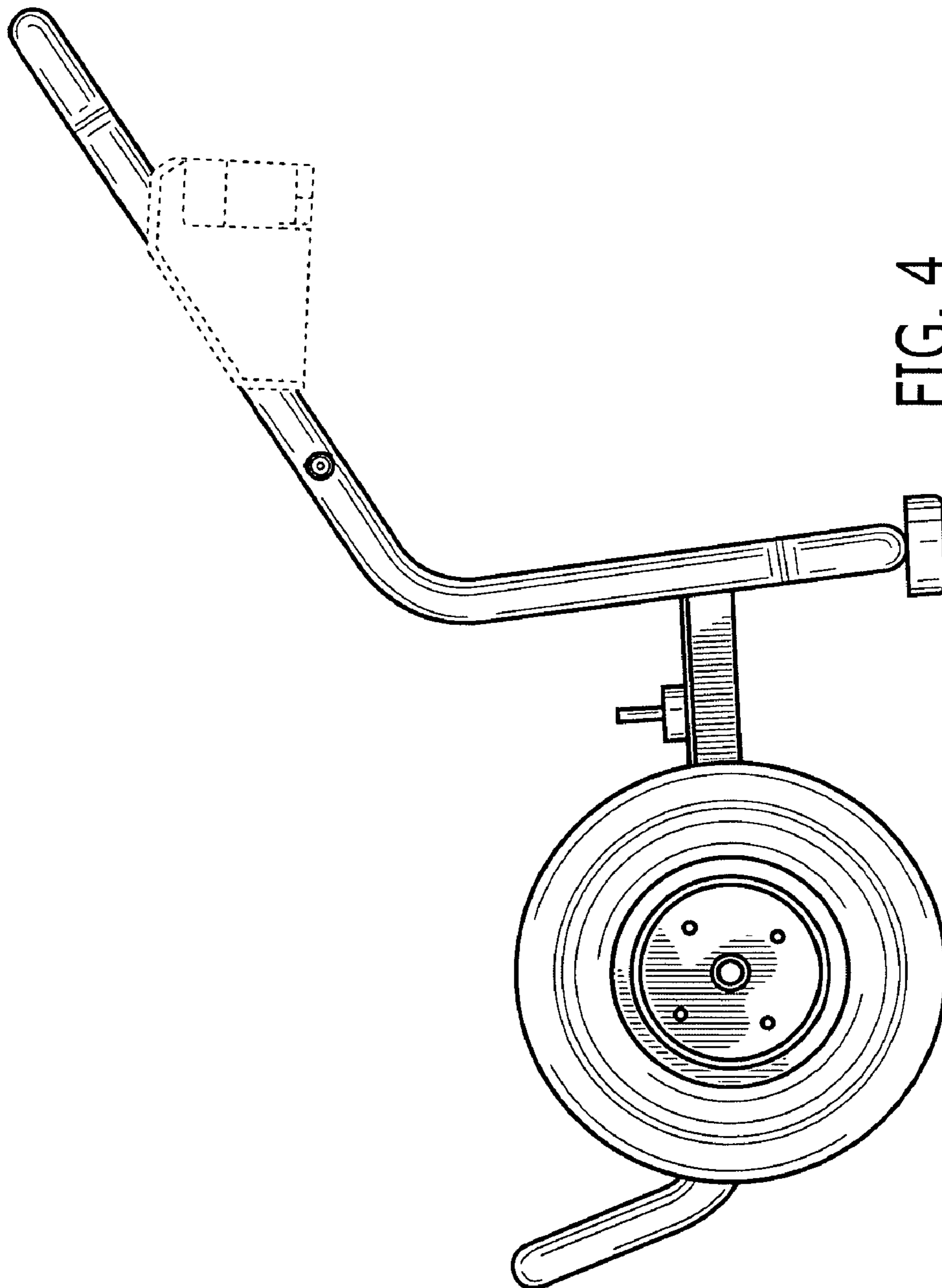


FIG. 4

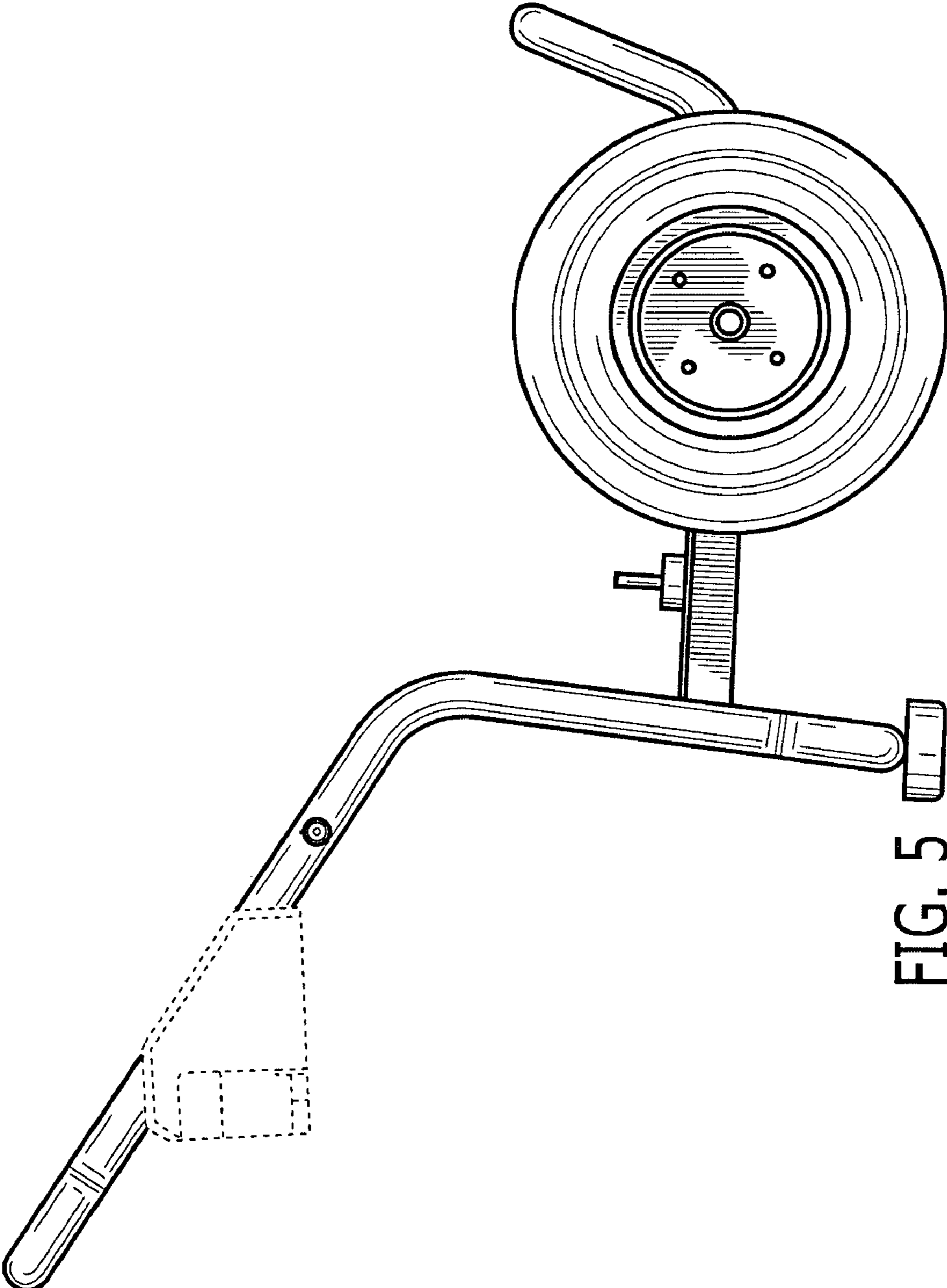


FIG. 5

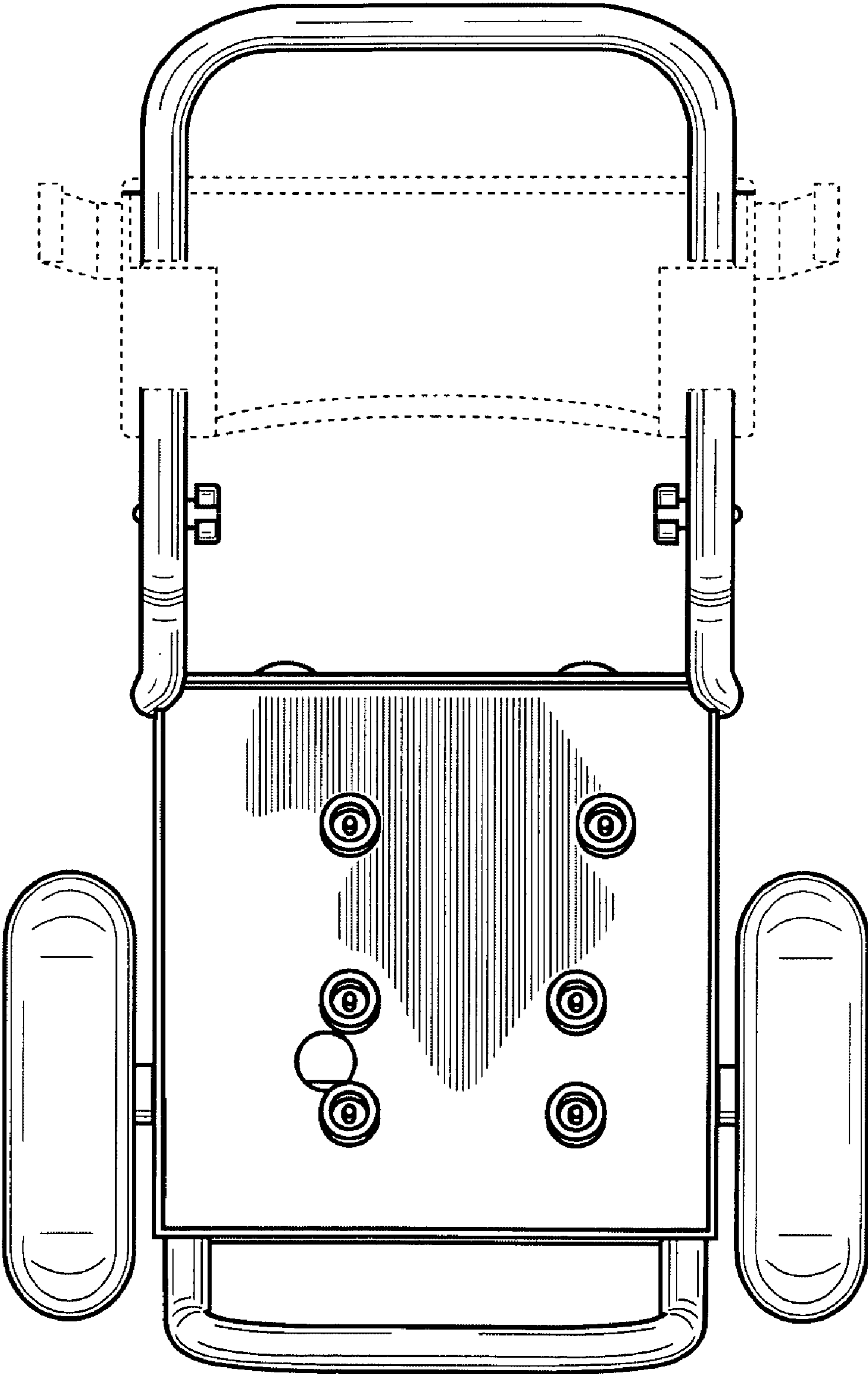


FIG. 6

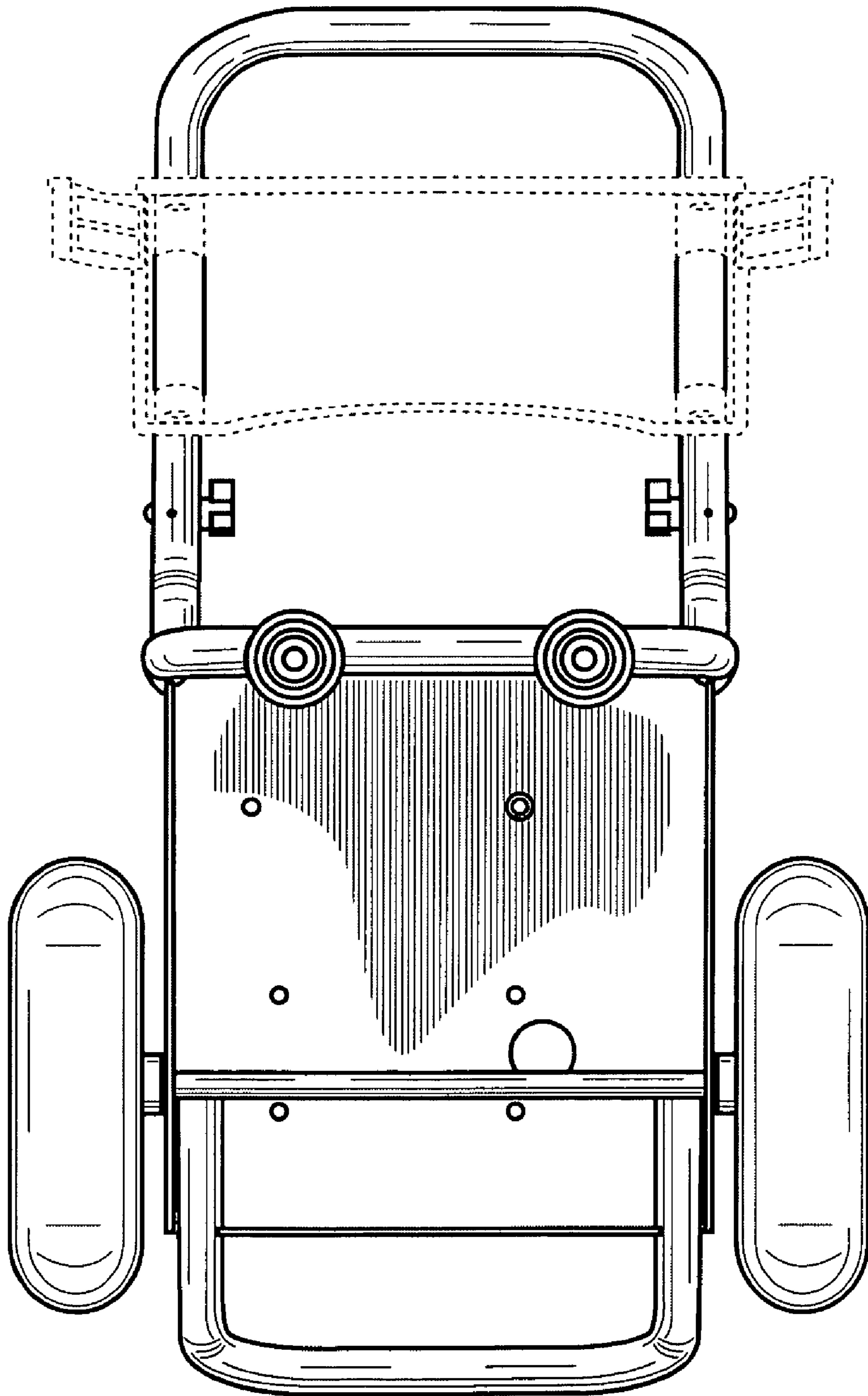


FIG. 7