



US00D580609S

(12) **United States Design Patent**
Umeda et al.

(10) **Patent No.:** **US D580,609 S**
(45) **Date of Patent:** **** Nov. 11, 2008**

(54) **VACUUM CLEANER**

D539,492 S * 3/2007 Konno D32/21

(75) Inventors: **Masakazu Umeda**, Kadoma (JP);
Syuuichi Hosoda, Kadoma (JP)

(73) Assignee: **Panasonic Corporation**, Osaka (JP)

(**) Term: **14 Years**

(21) Appl. No.: **29/299,750**

(22) Filed: **Jan. 3, 2008**

(51) **LOC (8) Cl.** **15-05**

(52) **U.S. Cl.** **D32/21**

(58) **Field of Classification Search** D32/21–24,
D32/31, 34, 16; 15/320–321, 323, 327.1–327.7,
15/329, 335, 340.2, 351, 353, 361, 410–412;
55/DIG. 3, 345, 337, 459.1

See application file for complete search history.

(56) **References Cited**

U.S. PATENT DOCUMENTS

D315,431 S	3/1991	Ikeda et al.	
D394,527 S	5/1998	Pochopien et al.	
D399,617 S	10/1998	Fujita	
D446,613 S *	8/2001	Hirokawa	D32/21
D508,152 S *	8/2005	Konno	D32/21
D518,609 S *	4/2006	Ågren et al.	D32/21
D520,198 S *	5/2006	Sung	D32/21
D523,194 S *	6/2006	Choi	D32/21
D523,195 S *	6/2006	Choi	D32/21
D530,467 S *	10/2006	Tokunaga	D32/21

FOREIGN PATENT DOCUMENTS

JP	D1134754	2/2002
JP	D1212520	7/2004
JP	D1282946	10/2006
JP	D1300968	5/2007
JP	D1300969	5/2007
JP	D1310013	9/2007

* cited by examiner

Primary Examiner—Ruth McInroy

(74) *Attorney, Agent, or Firm*—Brinks Hofer Gilson & Lione

(57) **CLAIM**

We claim the ornamental design for a vacuum cleaner, as shown and described.

DESCRIPTION

FIG. 1 is a front perspective view of a vacuum cleaner of the present invention;

FIG. 2 is a rear perspective view thereof;

FIG. 3 is a front view thereof;

FIG. 4 is a top view thereof;

FIG. 5 is a first side view thereof;

FIG. 6 is a second side view thereof;

FIG. 7 is a rear view thereof; and,

FIG. 8 is a bottom view thereof.

1 Claim, 4 Drawing Sheets

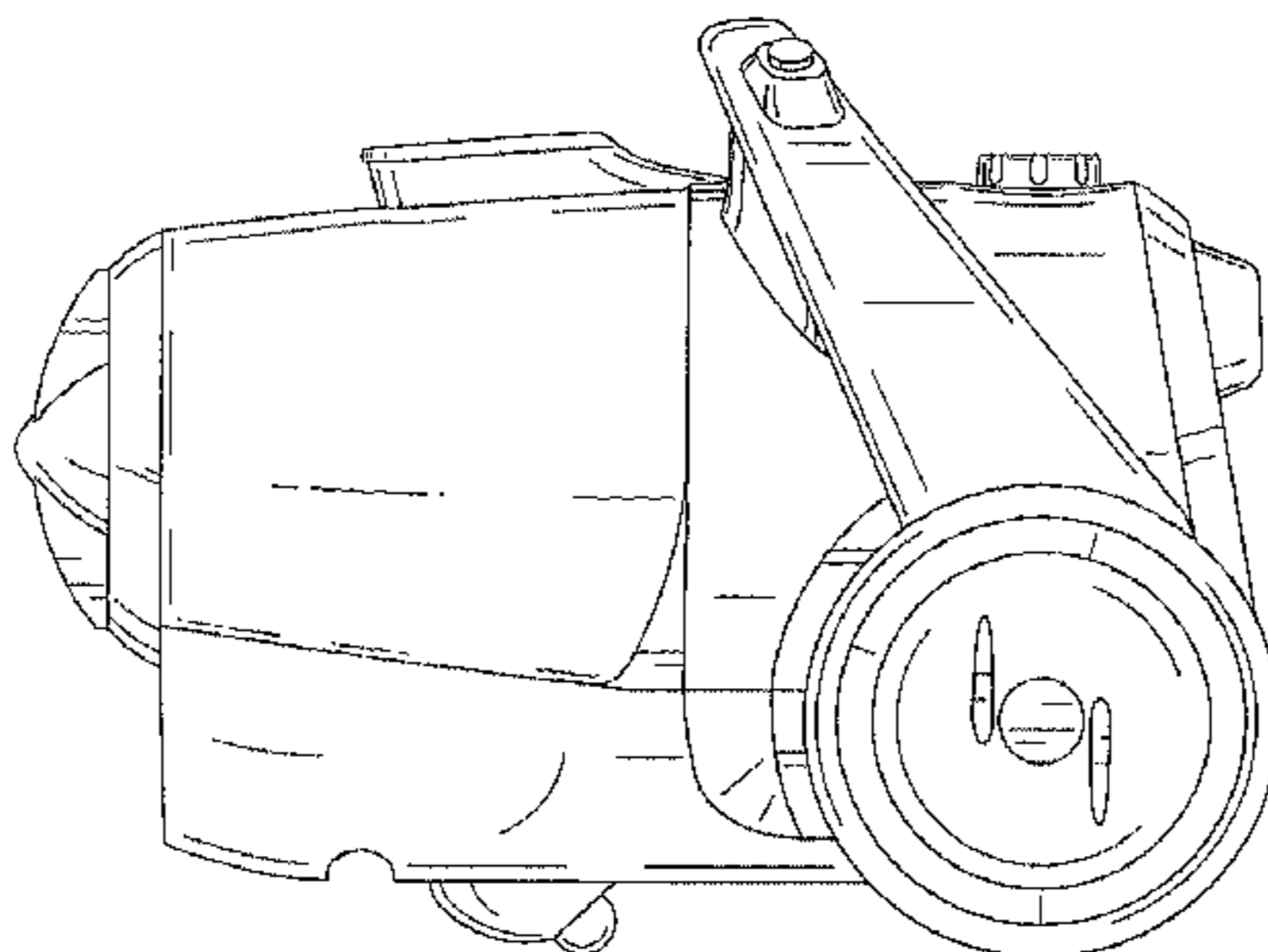
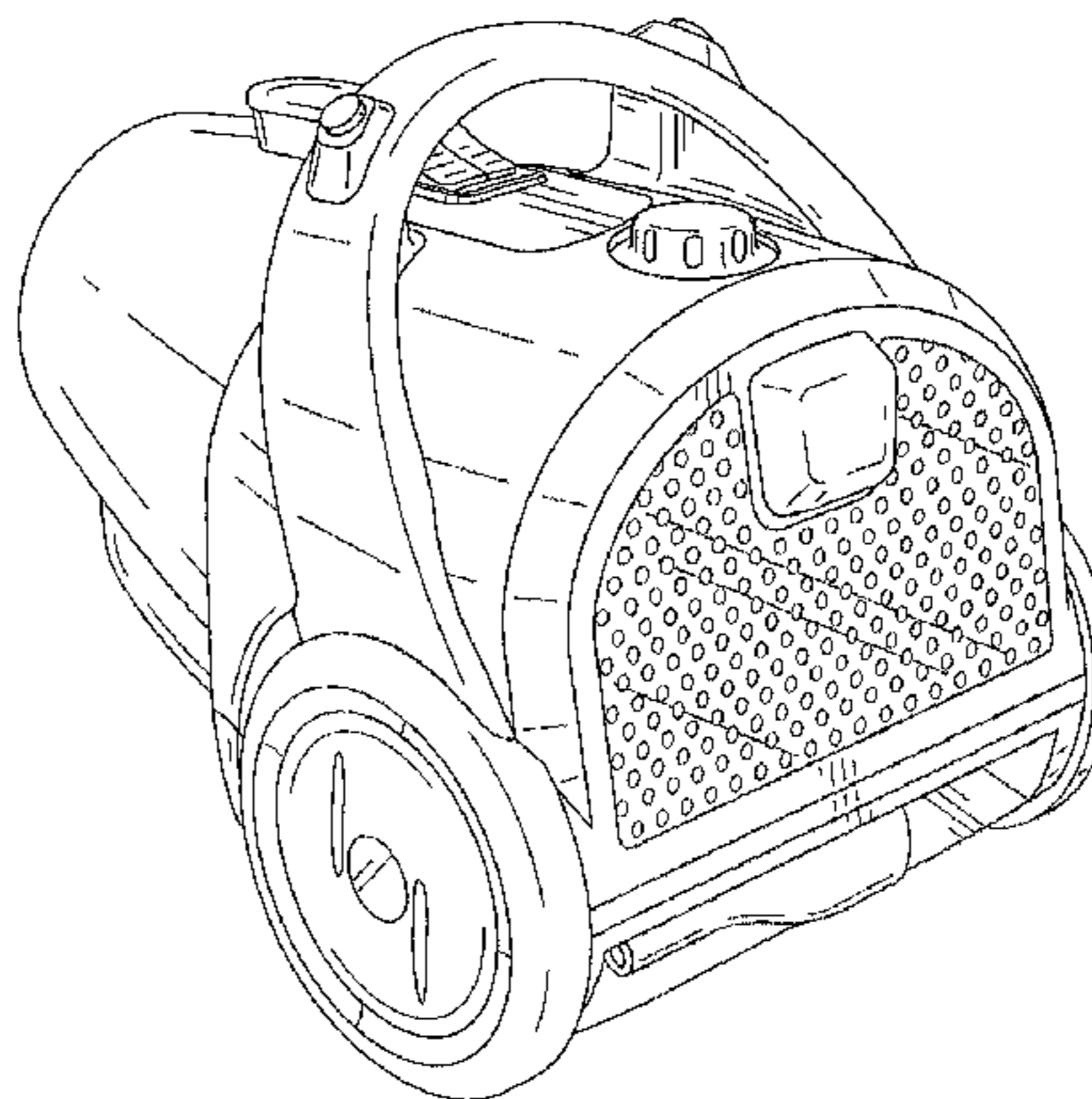
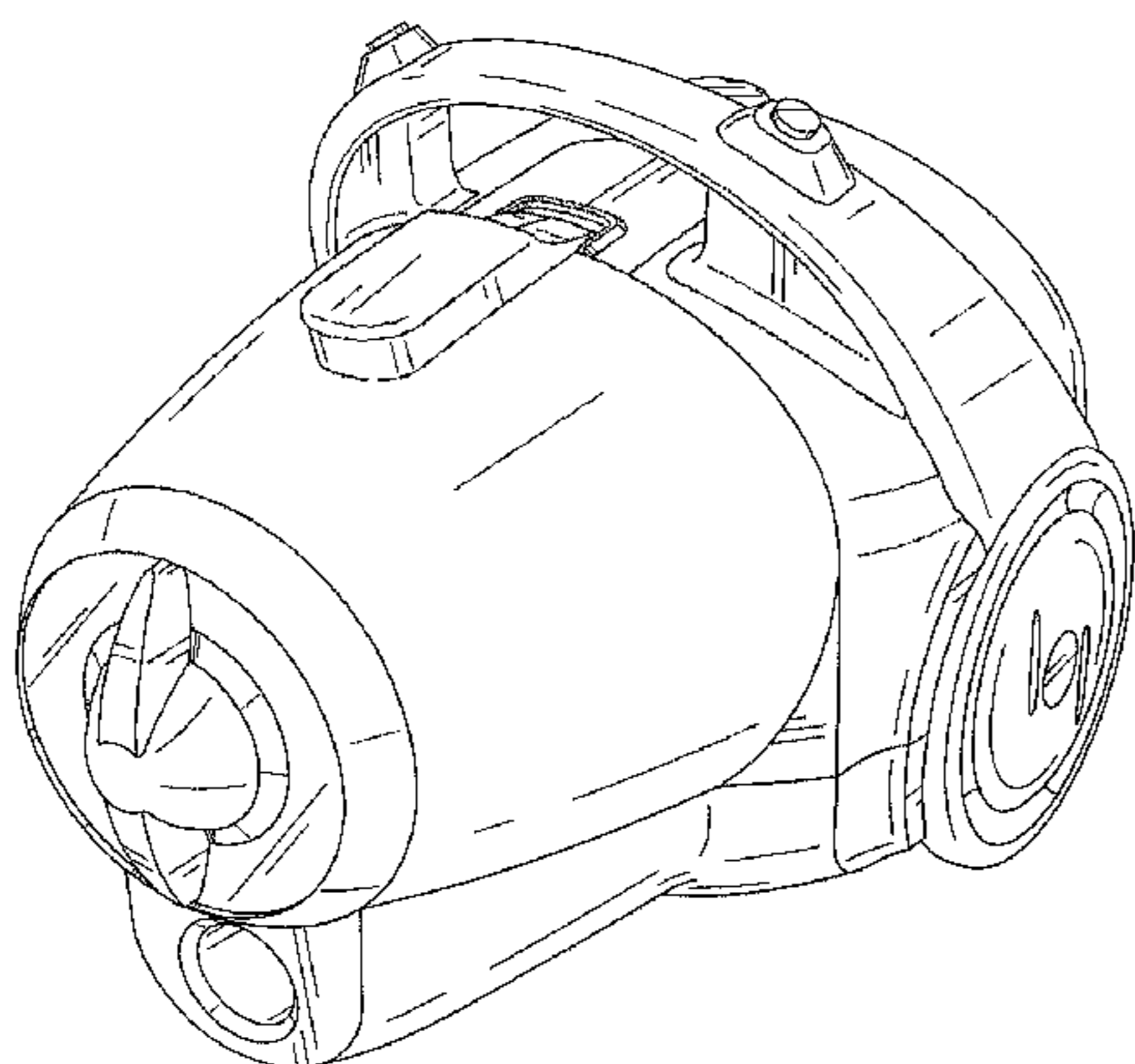


FIG. 1

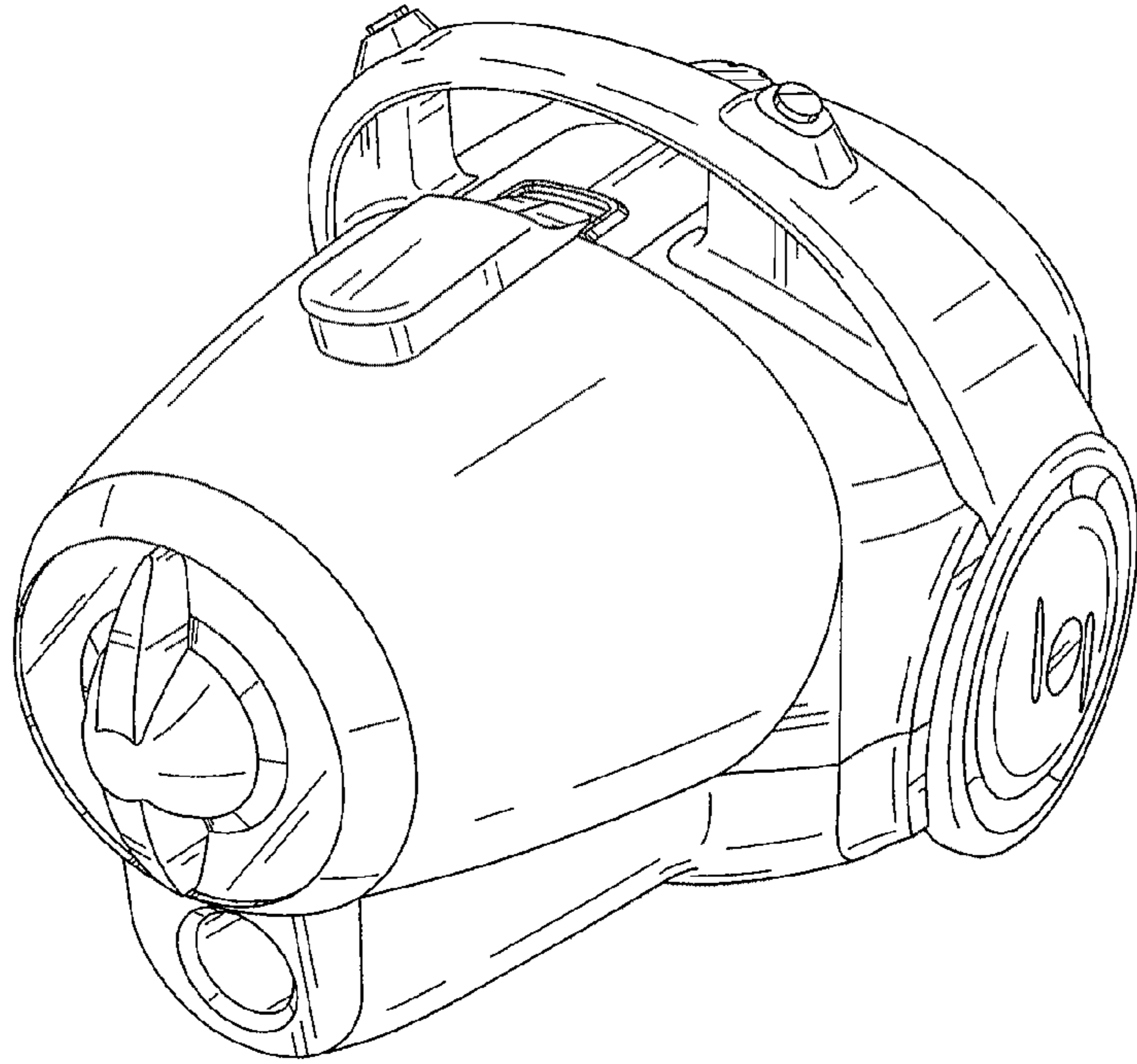


FIG. 2

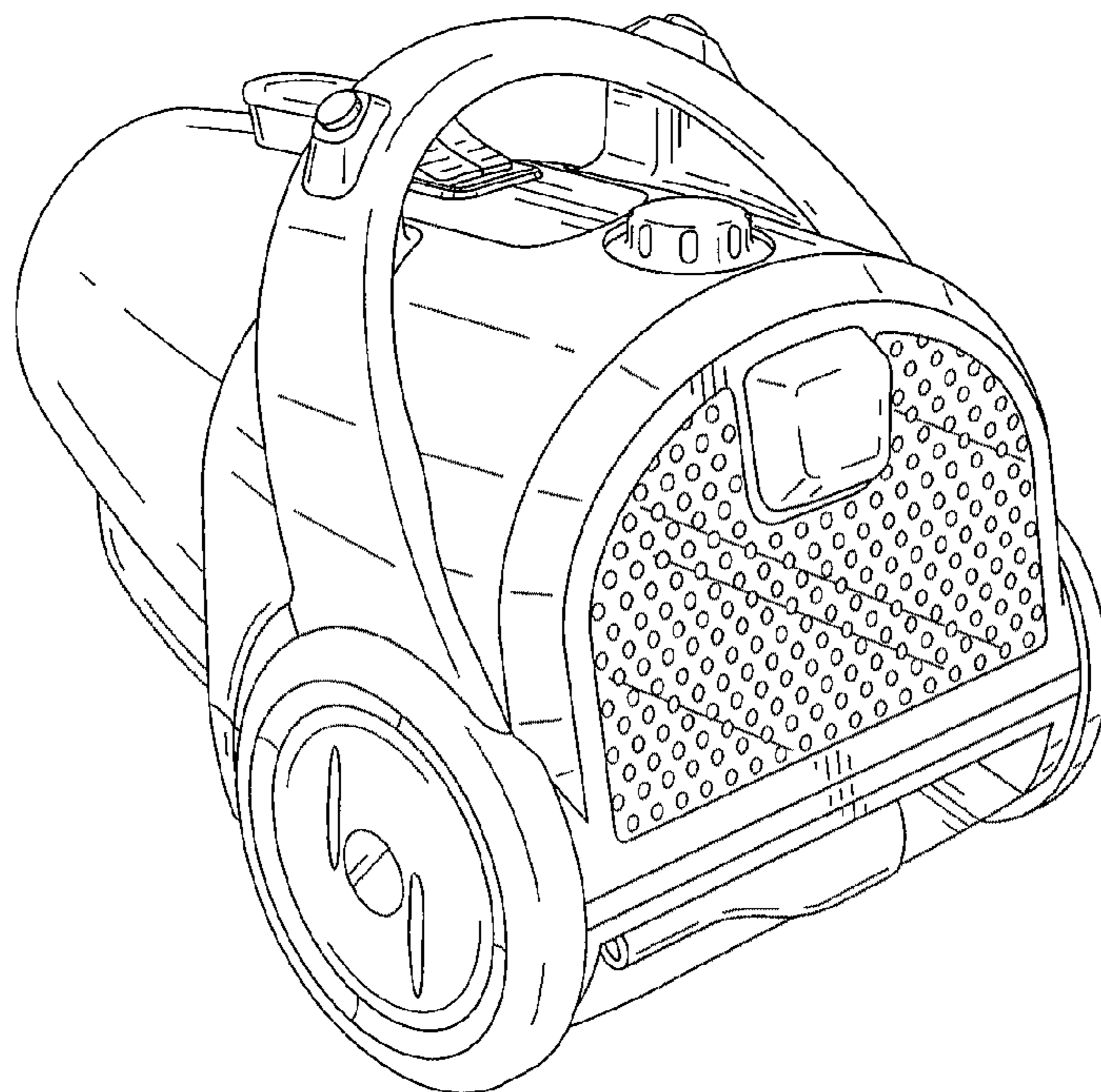


FIG.3

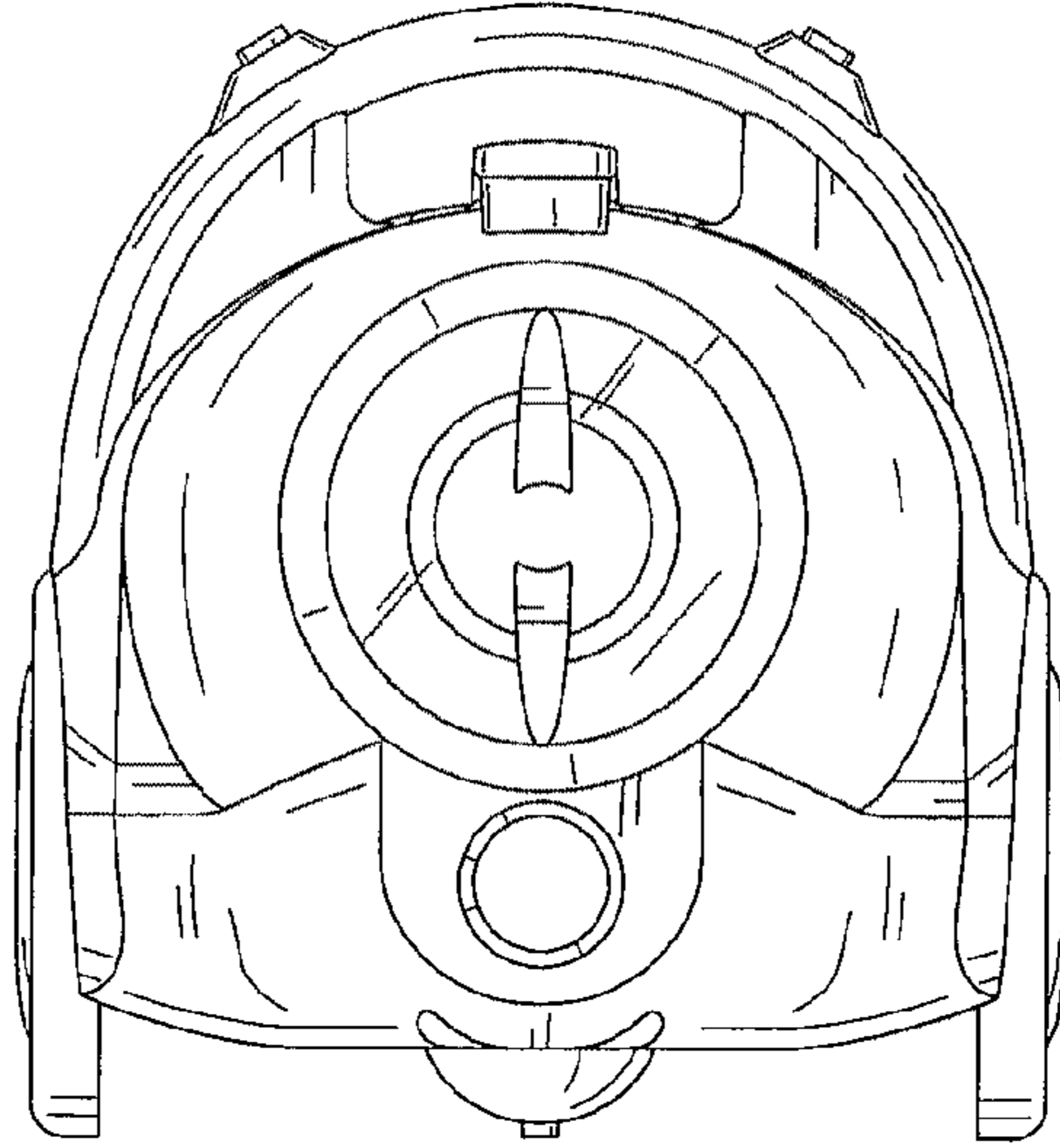


FIG.4

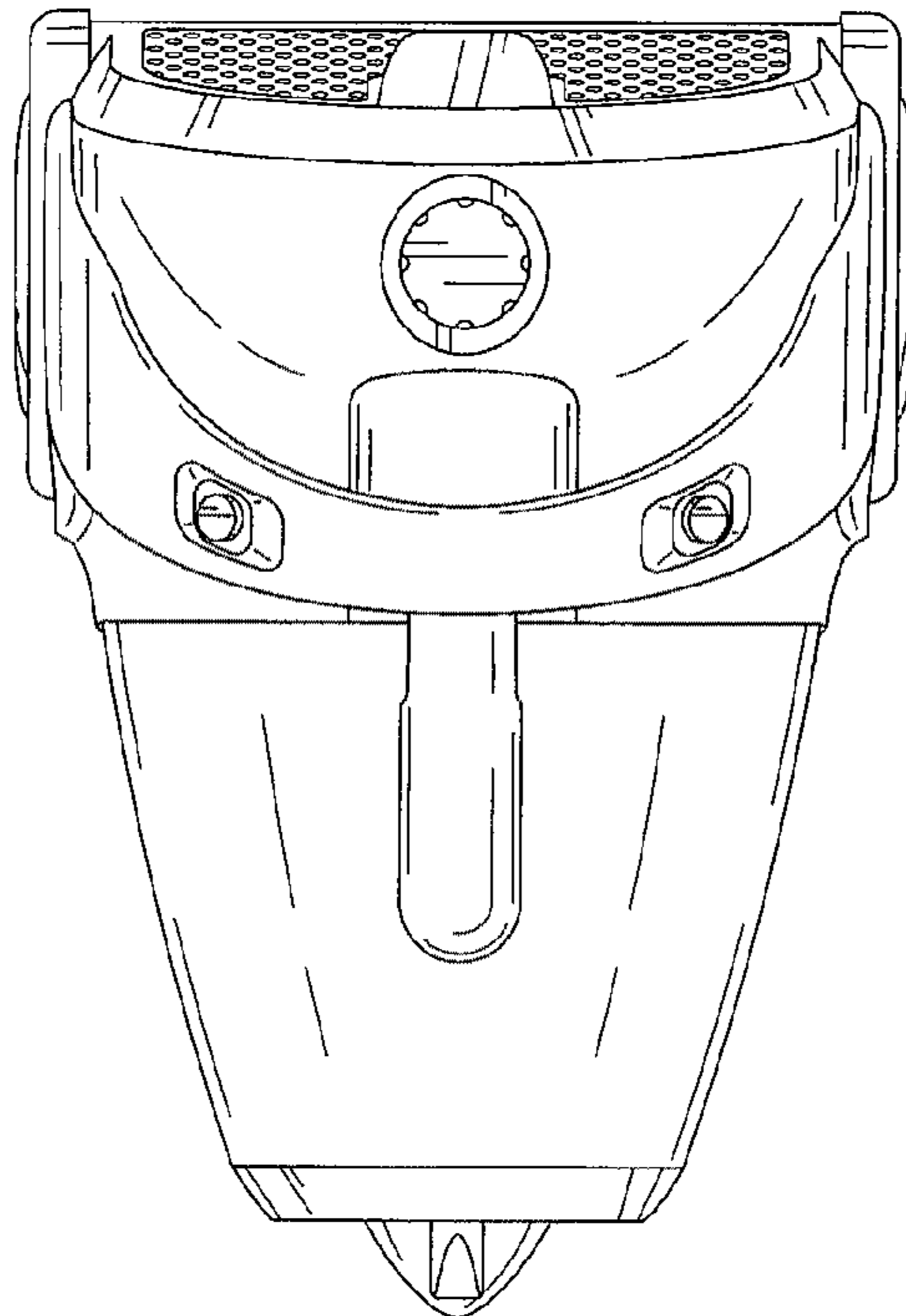


FIG.5

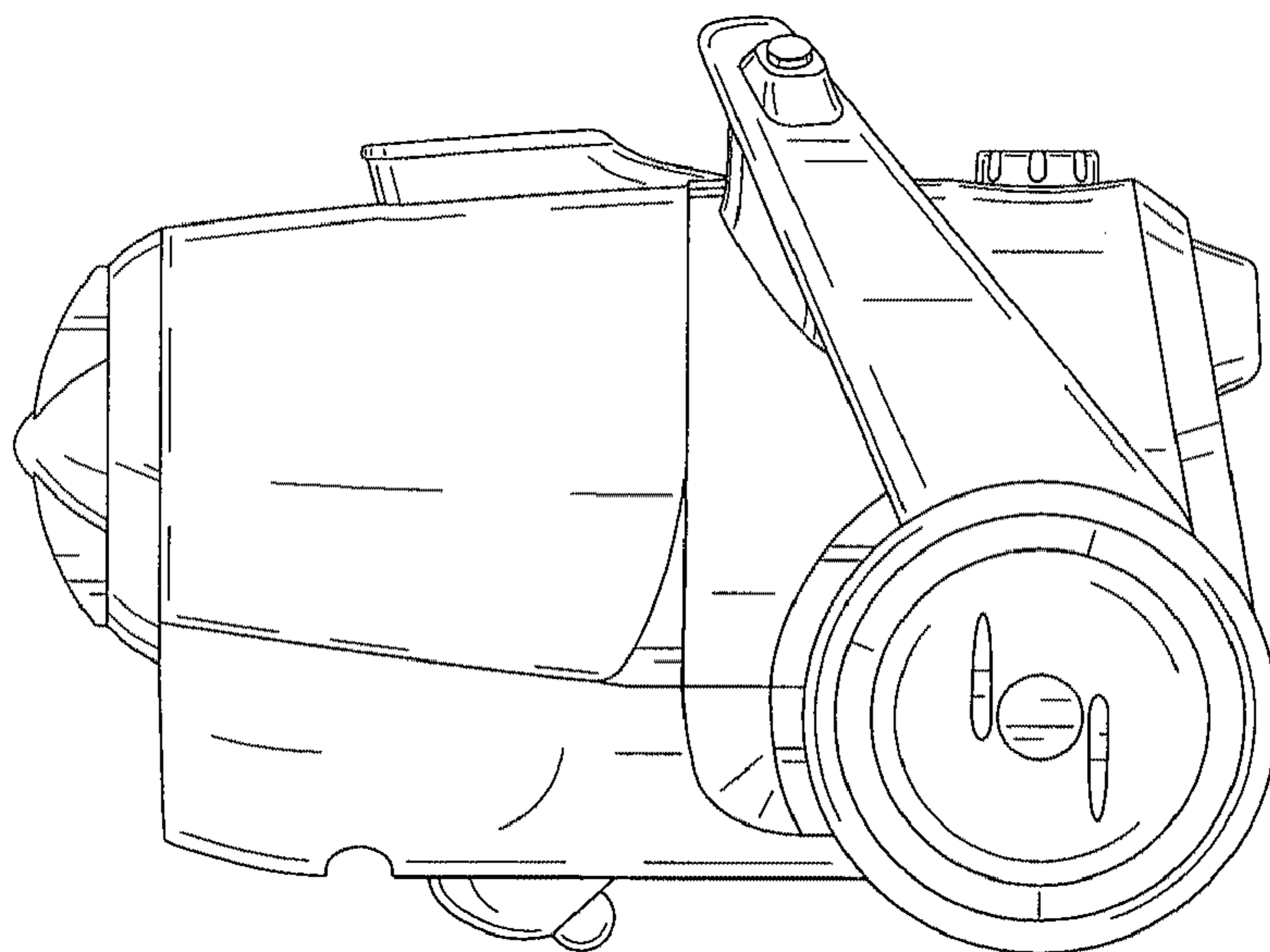


FIG.6

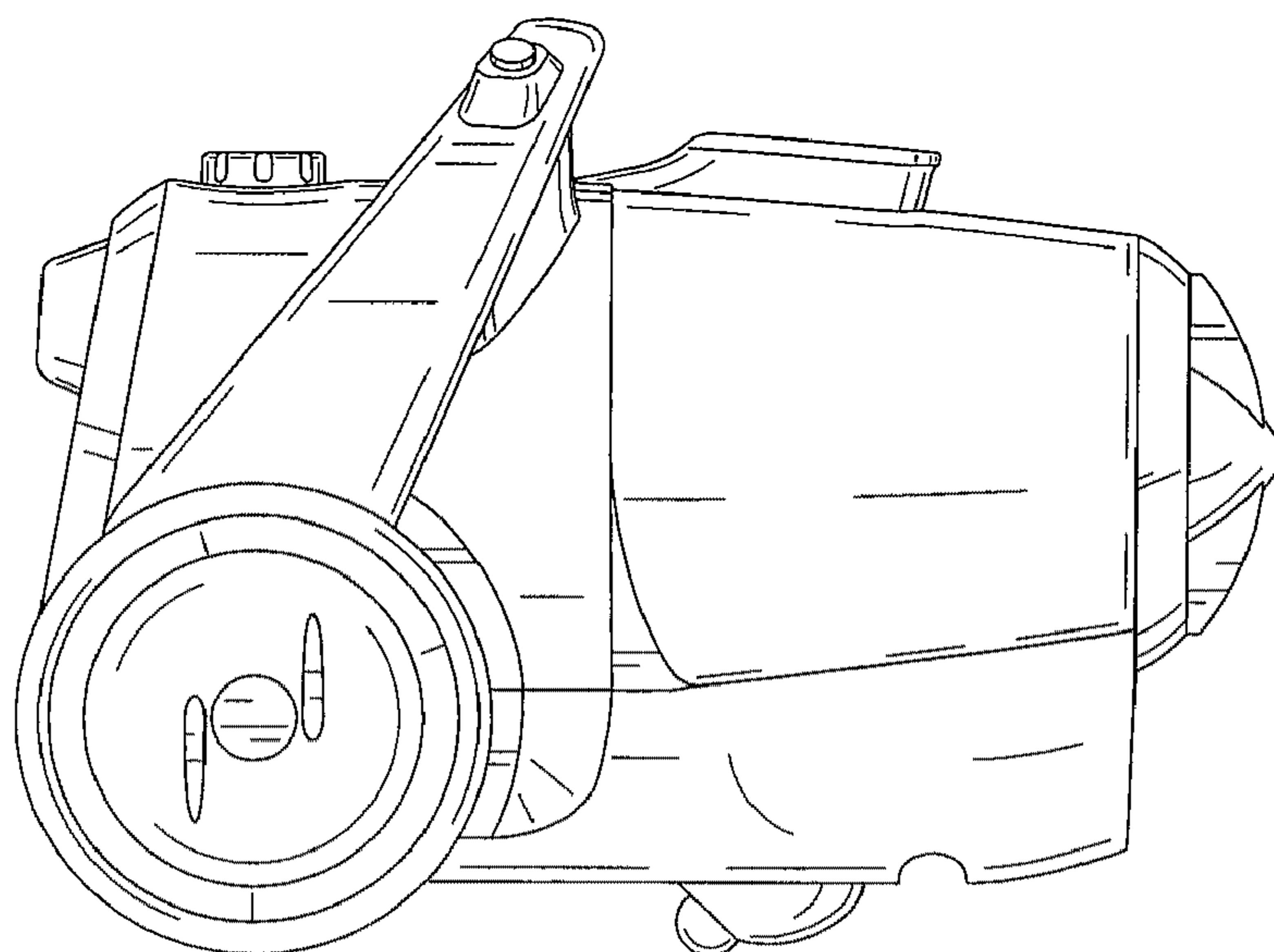


FIG.7

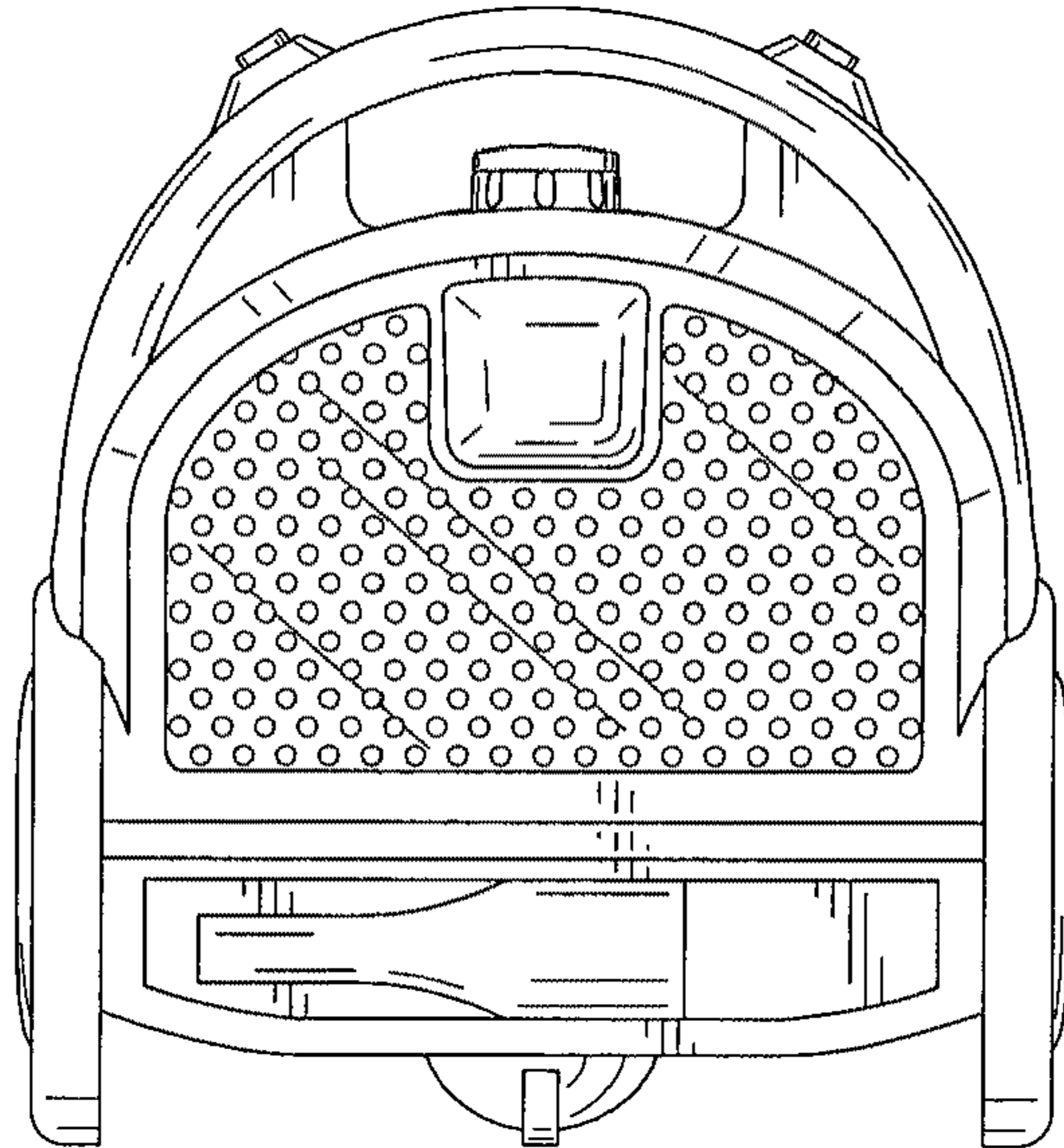


FIG.8

