



US00D580607S

(12) **United States Design Patent**  
**Tobias**

(10) **Patent No.:** **US D580,607 S**  
(45) **Date of Patent:** **\*\* Nov. 11, 2008**

(54) **GARMENT STEAMER**

(75) Inventor: **Andrew J. Tobias**, Pacific Palisades, CA (US)

(73) Assignee: **Ninth Tentacle, Inc.**, Marina del Rey, CA (US)

(\*\*) Term: **14 Years**

(21) Appl. No.: **29/295,020**

(22) Filed: **Sep. 20, 2007**

(51) **LOC (8) Cl.** ..... **15-05**

(52) **U.S. Cl.** ..... **D32/17**

(58) **Field of Classification Search** ..... D32/9,  
D32/68-73, 17-18, 21, 23-24, 31-33; 68/5 R,  
68/222, 5 A; 38/85, 82, 77.8, 81, 94, 77.83,  
38/79, 96; 392/405, 324, 333, 342, 379,  
392/403; 219/259, 242, 254, 246; 8/149.3;  
15/344, 329, 320-322, 415.1-422.1, 327.1-327.2,  
15/327.6-327.7

See application file for complete search history.

(56) **References Cited**

**U.S. PATENT DOCUMENTS**

5,609,047 A \* 3/1997 Hellman et al. .... 68/222  
D451,653 S \* 12/2001 Berreth et al. .... D32/17

D452,594 S \* 12/2001 Rosa ..... D32/21  
D464,180 S \* 10/2002 Chen ..... D32/9  
D465,886 S \* 11/2002 Doria ..... D32/17  
D497,693 S \* 10/2004 Hecker et al. .... D32/17  
6,886,373 B2 \* 5/2005 Carrubba et al. .... 68/222  
D537,215 S \* 2/2007 Foersterling ..... D32/9  
D561,958 S \* 2/2008 Hahn ..... D32/17  
2004/0144140 A1 \* 7/2004 Lee ..... 68/222

\* cited by examiner

*Primary Examiner*—Ruth McInroy

(74) *Attorney, Agent, or Firm*—Kelly, Lowry & Kelley, LLP

(57) **CLAIM**

The ornamental design for a garment steamer, as shown.

**DESCRIPTION**

FIG. 1 is a front, top and side perspective view of a garment steamer embodying my new design;

FIG. 2 is a front elevational view thereof;

FIG. 3 is a rear elevational view thereof;

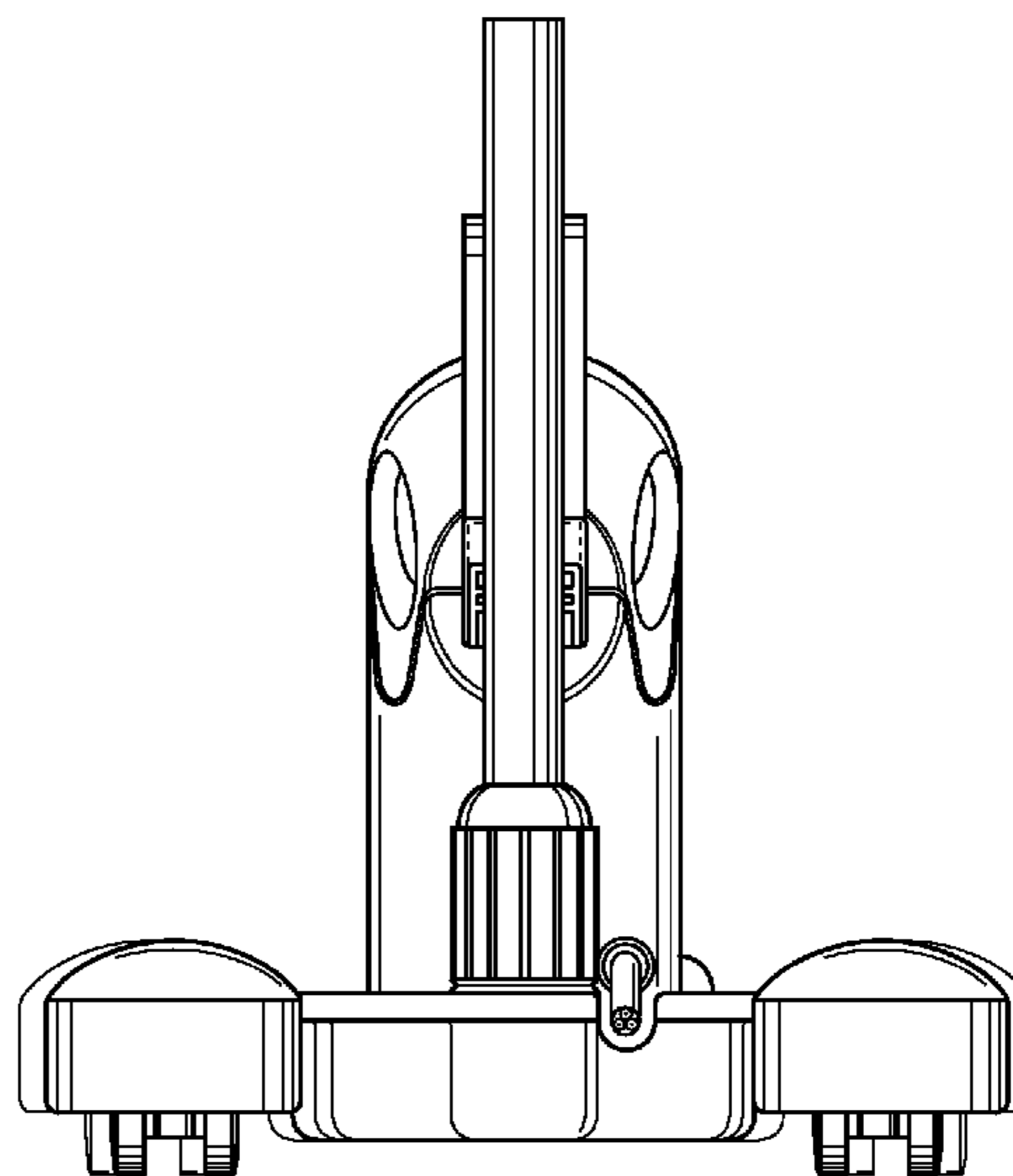
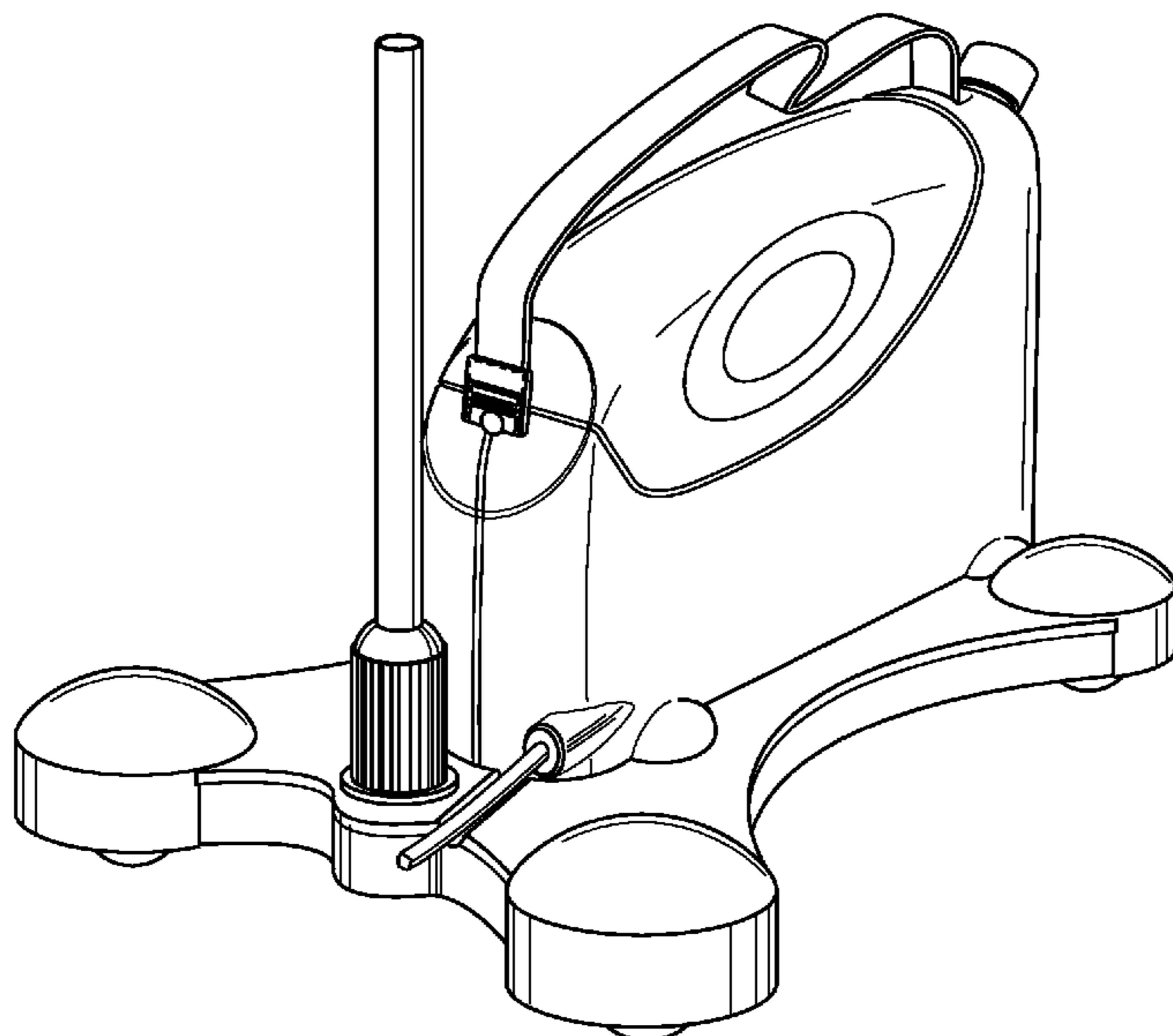
FIG. 4 is a right-side elevational view thereof;

FIG. 5 is a left-side elevational view thereof;

FIG. 6 is a top plan view thereof; and,

FIG. 7 is a bottom plan view thereof.

**1 Claim, 4 Drawing Sheets**



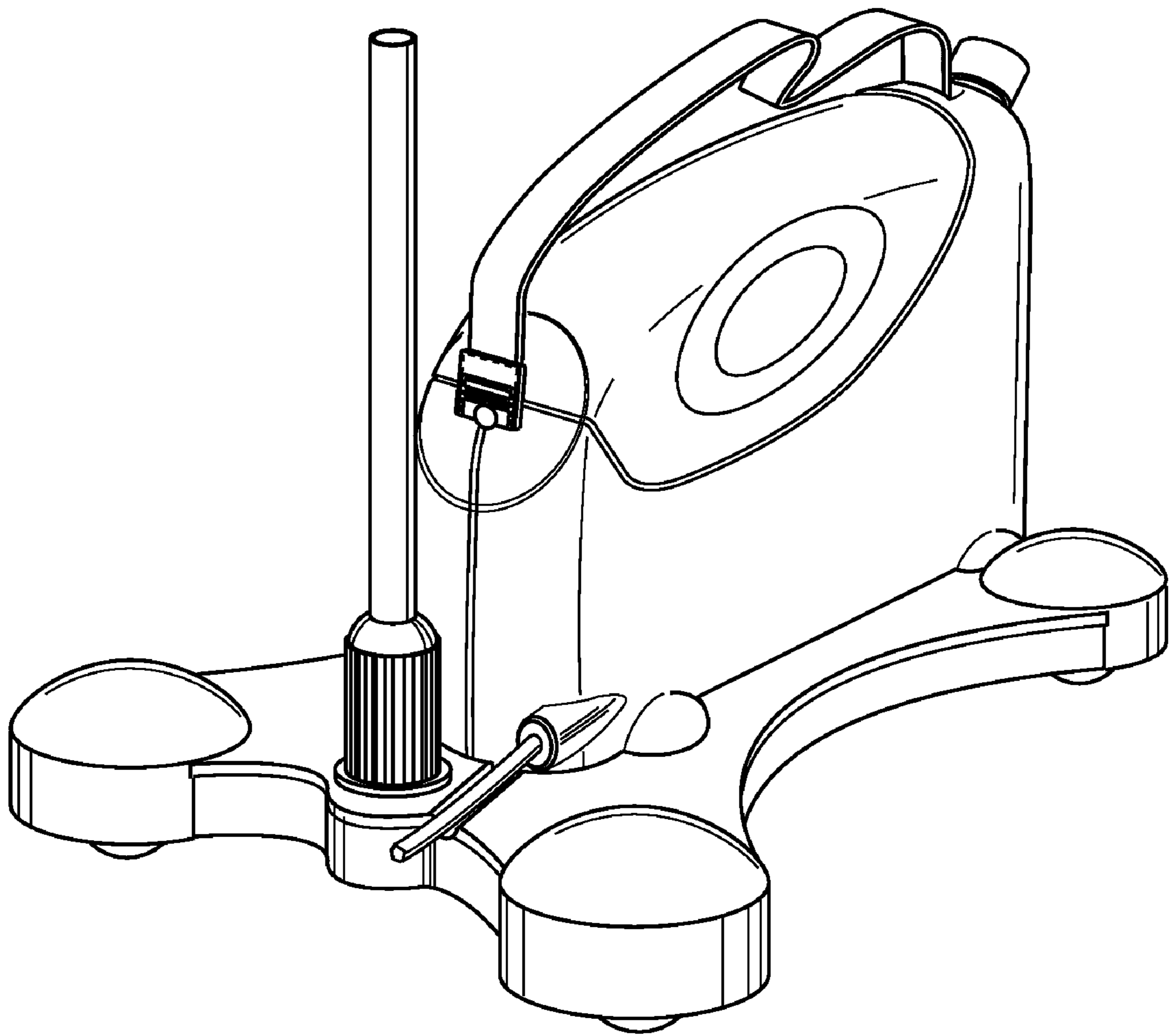


FIG. 1

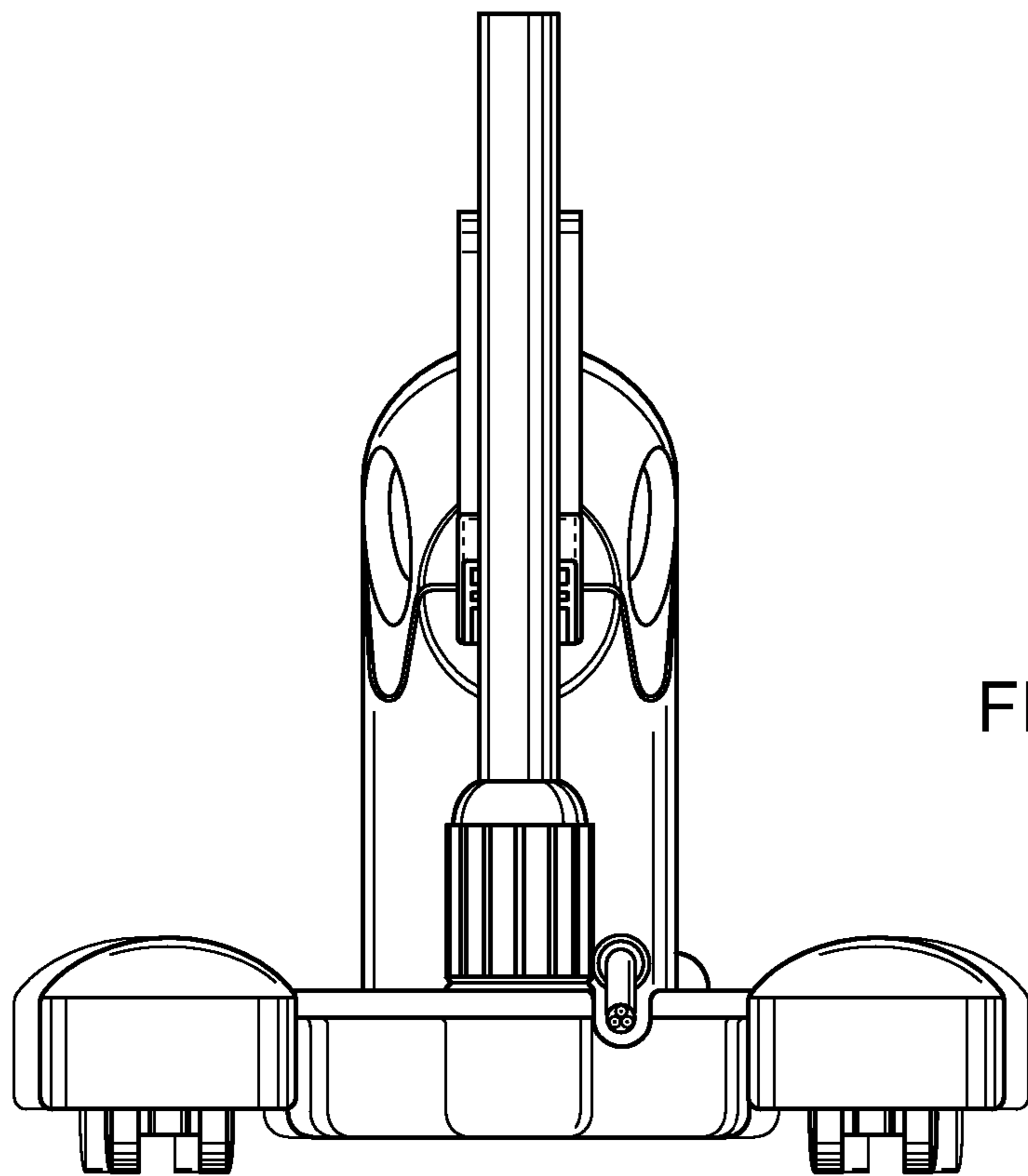


FIG. 2

FIG. 3

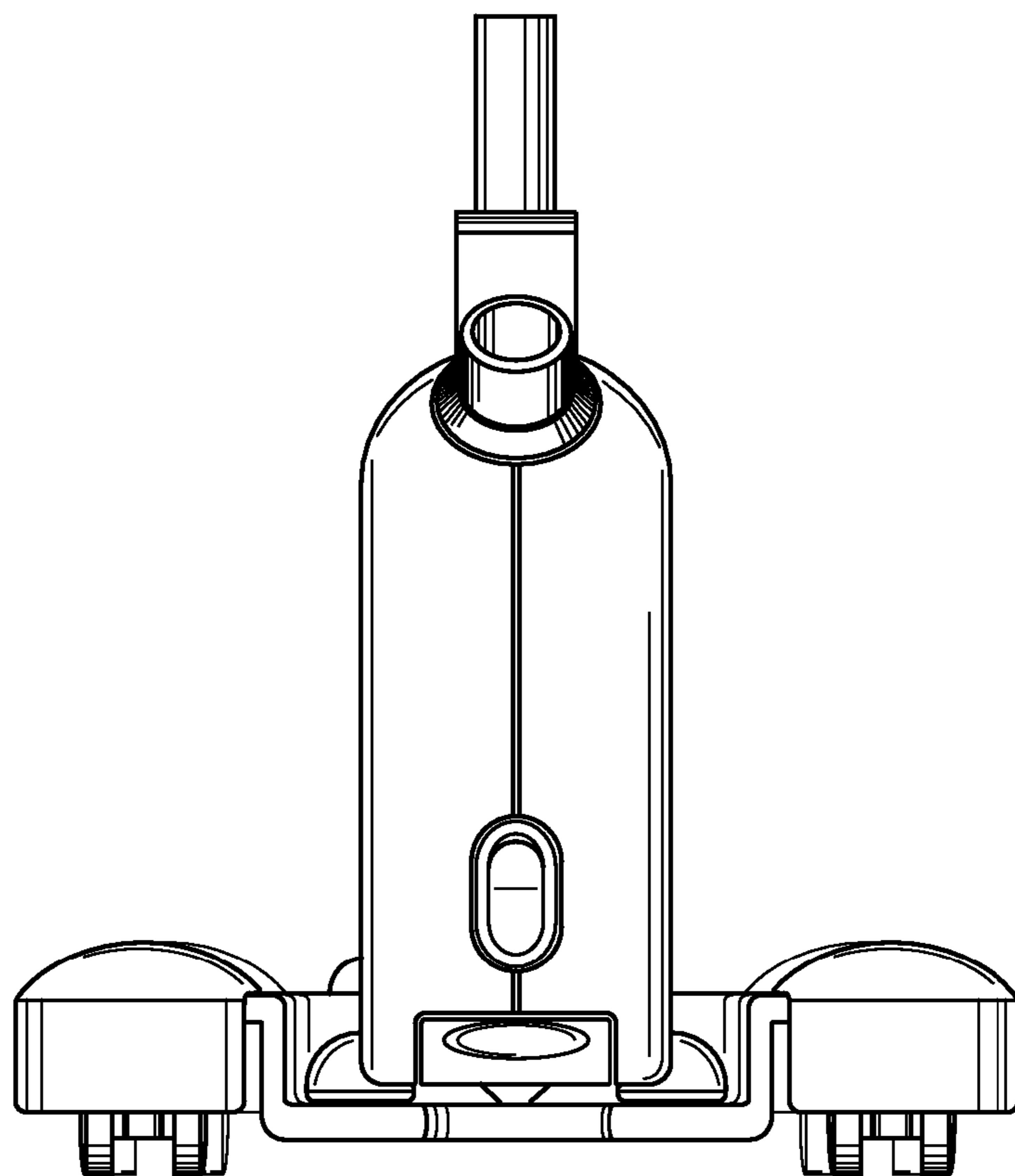


FIG. 4

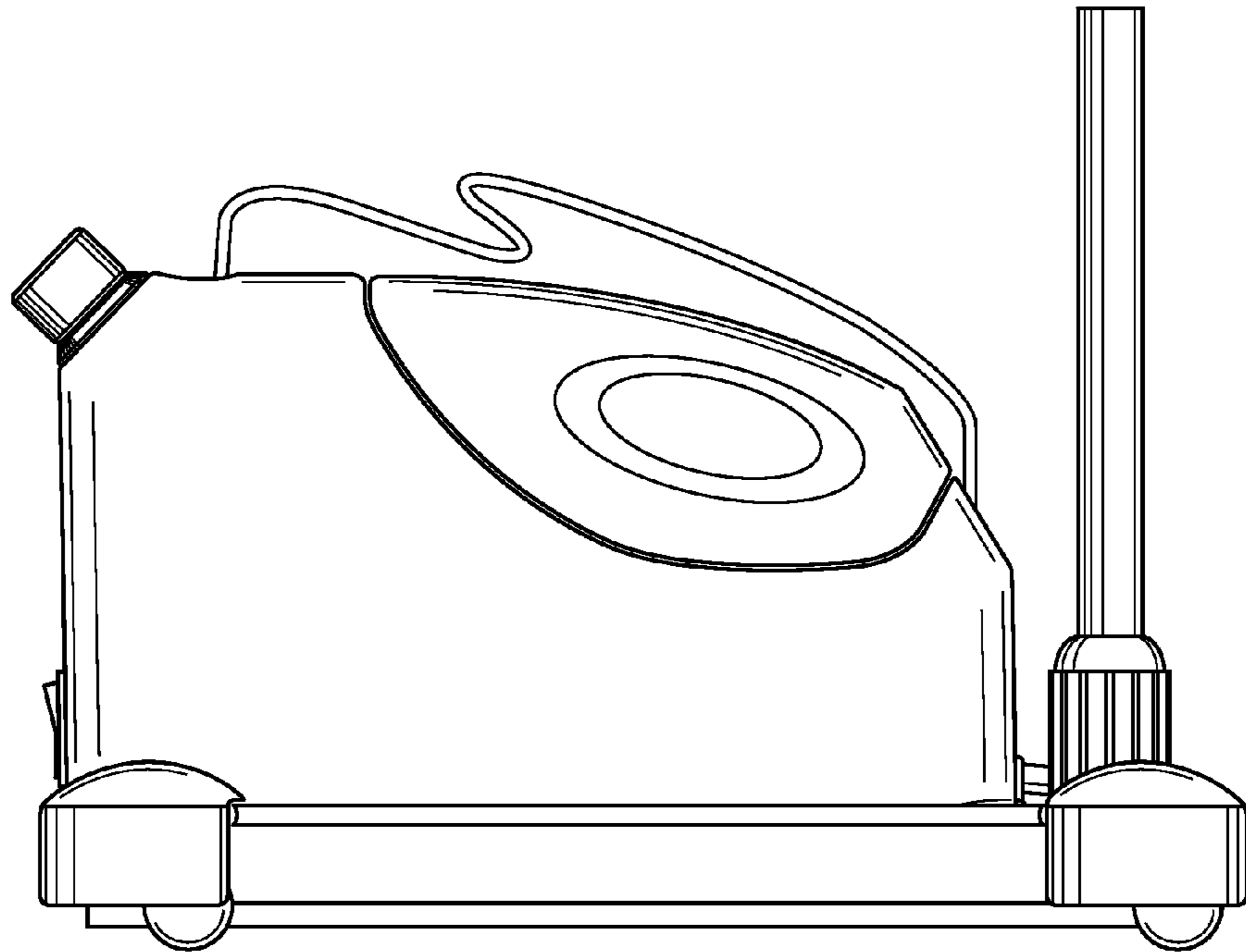
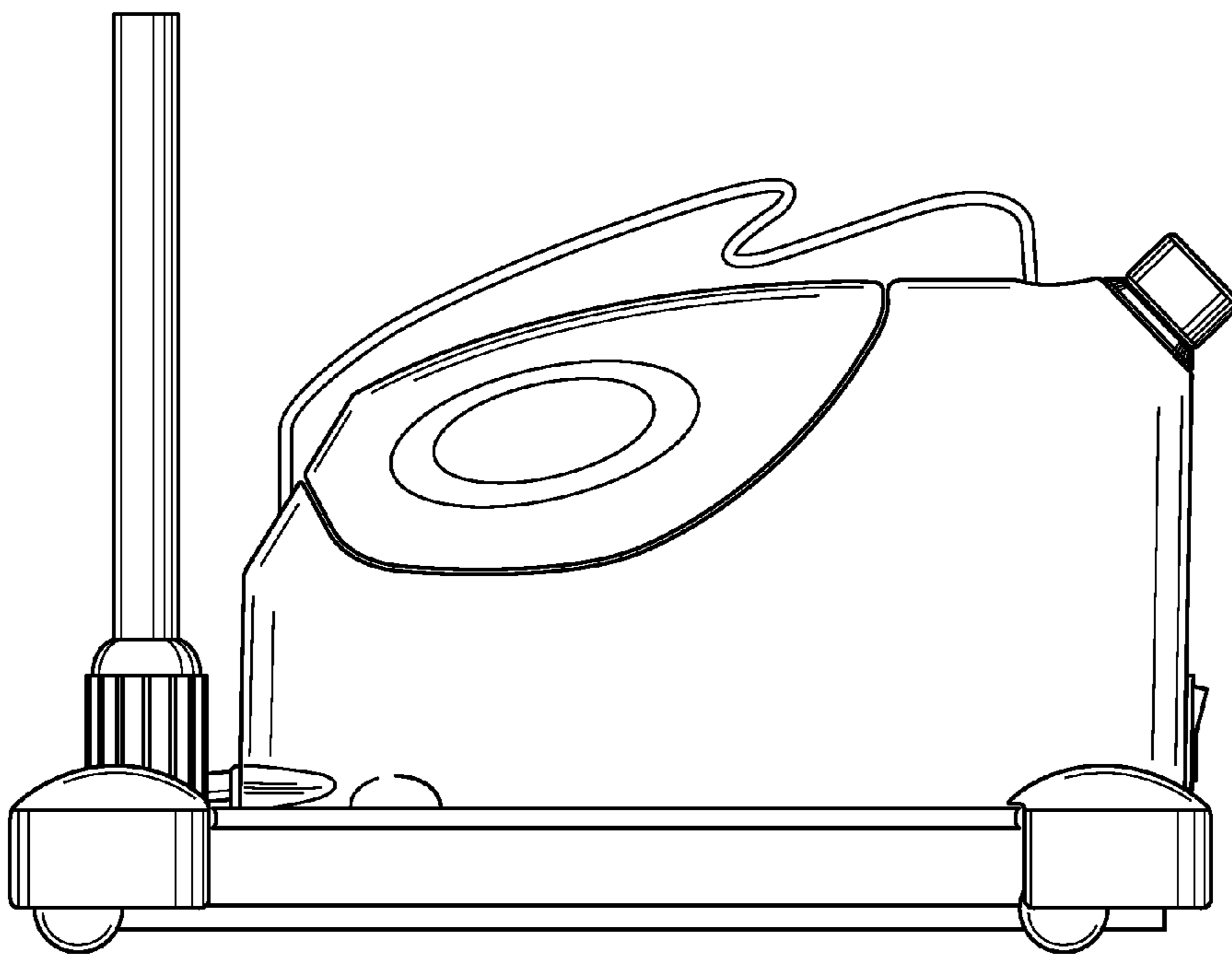


FIG. 5



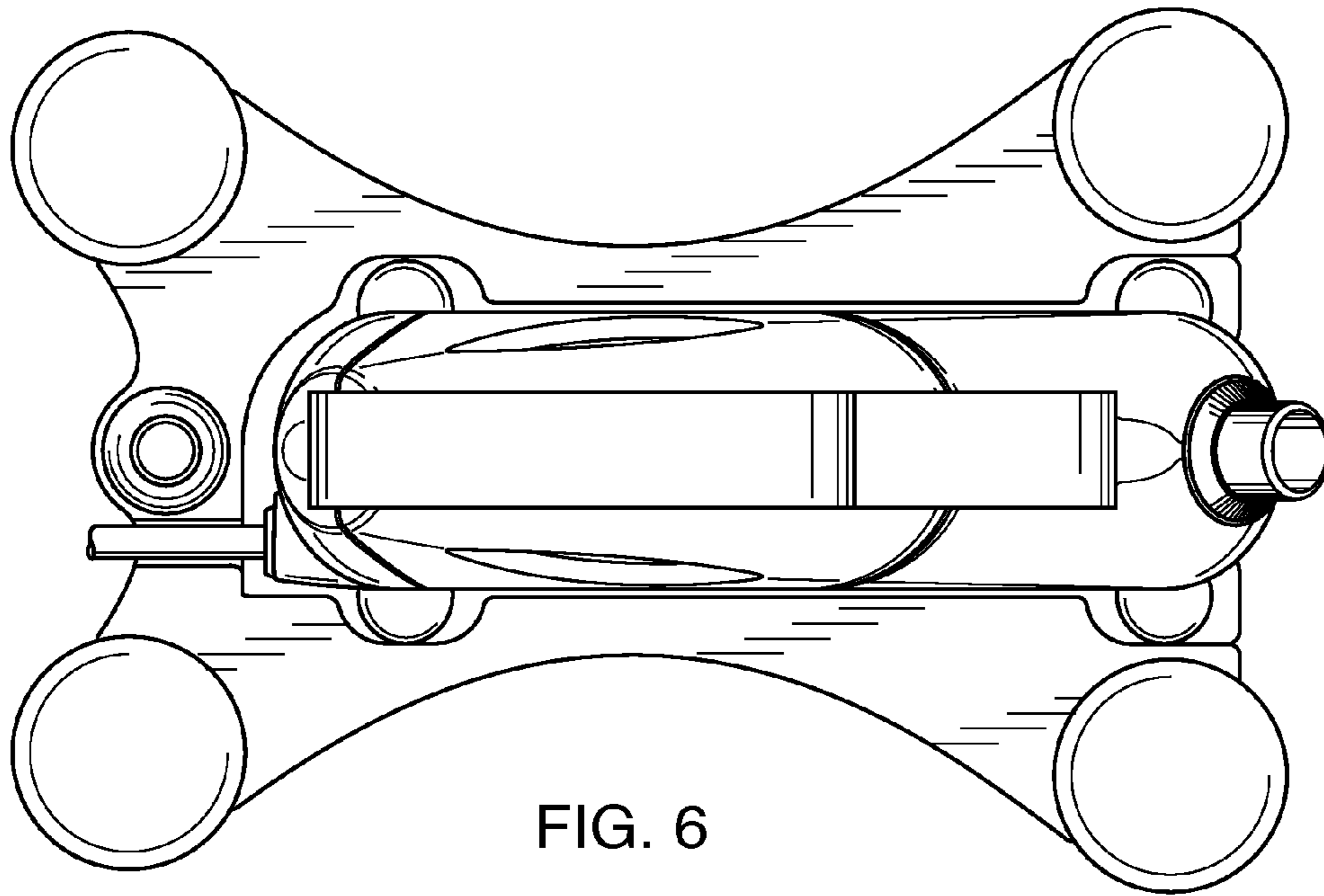


FIG. 6

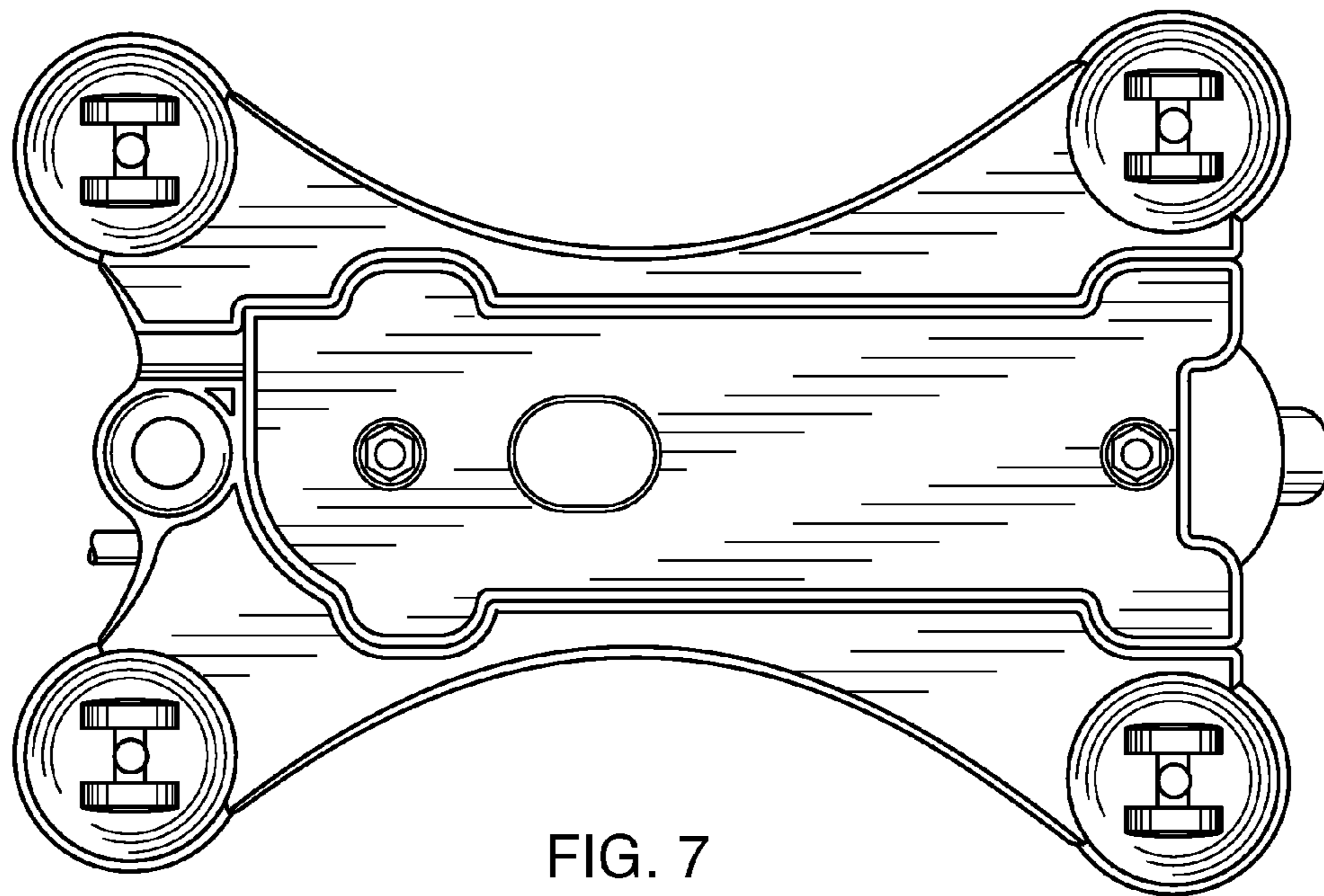


FIG. 7