

US00D580606S

(12) **United States Design Patent**
Dammkoehler et al.

(10) **Patent No.:** **US D580,606 S**
(45) **Date of Patent:** **** Nov. 11, 2008**

(54) **SWEEPING MACHINE**

(75) Inventors: **Denis Dammkoehler**, Backnang (DE);
Christian Rummel, Benningen (DE)

(73) Assignee: **Alfred Kaercher GmbH & Co. KG**,
Winnenden (DE)

(**) Term: **14 Years**

(21) Appl. No.: **29/294,074**

(22) Filed: **Dec. 19, 2007**

(30) **Foreign Application Priority Data**

Jun. 26, 2007 (EM) 000746730

(51) **LOC (8) Cl.** **15-05**

(52) **U.S. Cl.** **D32/16**

(58) **Field of Classification Search** D32/1,
D32/15-16, 17-18, 21; 15/320-323, 327.1-327.7,
15/353, 49.1

See application file for complete search history.

(56) **References Cited**

U.S. PATENT DOCUMENTS

2,972,159	A *	2/1961	Kimmerle et al.	15/340.4
D228,087	S *	8/1973	Kasper et al.	D32/16
D257,845	S *	1/1981	Peabody et al.	D32/16
D273,620	S *	4/1984	Kimzey et al.	D32/16
D329,311	S *	9/1992	Knowlton et al.	D32/16
D376,227	S *	12/1996	Knowlton et al.	D32/16
D382,383	S *	8/1997	Knowlton et al.	D32/16
D391,699	S *	3/1998	Creecy	D32/16
6,964,081	B1 *	11/2005	Clement et al.	15/320

OTHER PUBLICATIONS

Extract from catalog of Alfred Kaercher GmbH & Co. KG, "Catalogue 2001/2002", cover, pp. 40-45, 56 and last page (Jun. 2001).

Extract from catalog of Alfred Kaercher GmbH & Co. KG, "Programme 2002", cover, pp. 87-90, 92-99, 121 and last page (Feb. 2002).

Extract from catalog of Alfred Kaercher GmbH & Co. KG, "Programme 2003", cover, pp. 154, 177, 179-184, 186, 188, 190, 192 and last page (Dec. 2002).

Extract from catalog of Alfred Kaercher GmbH & Co. KG, "Programme 2004", cover, pp. 192-193, 221-223, 225-231, 233, 235 and last page (Feb. 2004).

Extract from catalog of Alfred Kaercher GmbH & Co. KG, "Programme 2005", cover, pp. 180-183, 208-209, 211-219 and last page (Dec. 2004).

Extract from catalog of Alfred Kaercher GmbH & Co. KG, "Programme 2006", cover, pp. 190-193, 226-237 and last page (Dec. 2005).

* cited by examiner

Primary Examiner—Louis S Zarfaz

Assistant Examiner—Kathleen M Sims

(74) *Attorney, Agent, or Firm*—Lipsitz & McAllister, LLC

(57) **CLAIM**

The ornamental design for a sweeping machine, as shown and described.

DESCRIPTION

FIG. 1 is a front, top, right side perspective view of a sweeping machines showing our new design;

FIG. 2 is a front, top, left side perspective view thereof;

FIG. 3 is a front elevational view thereof;

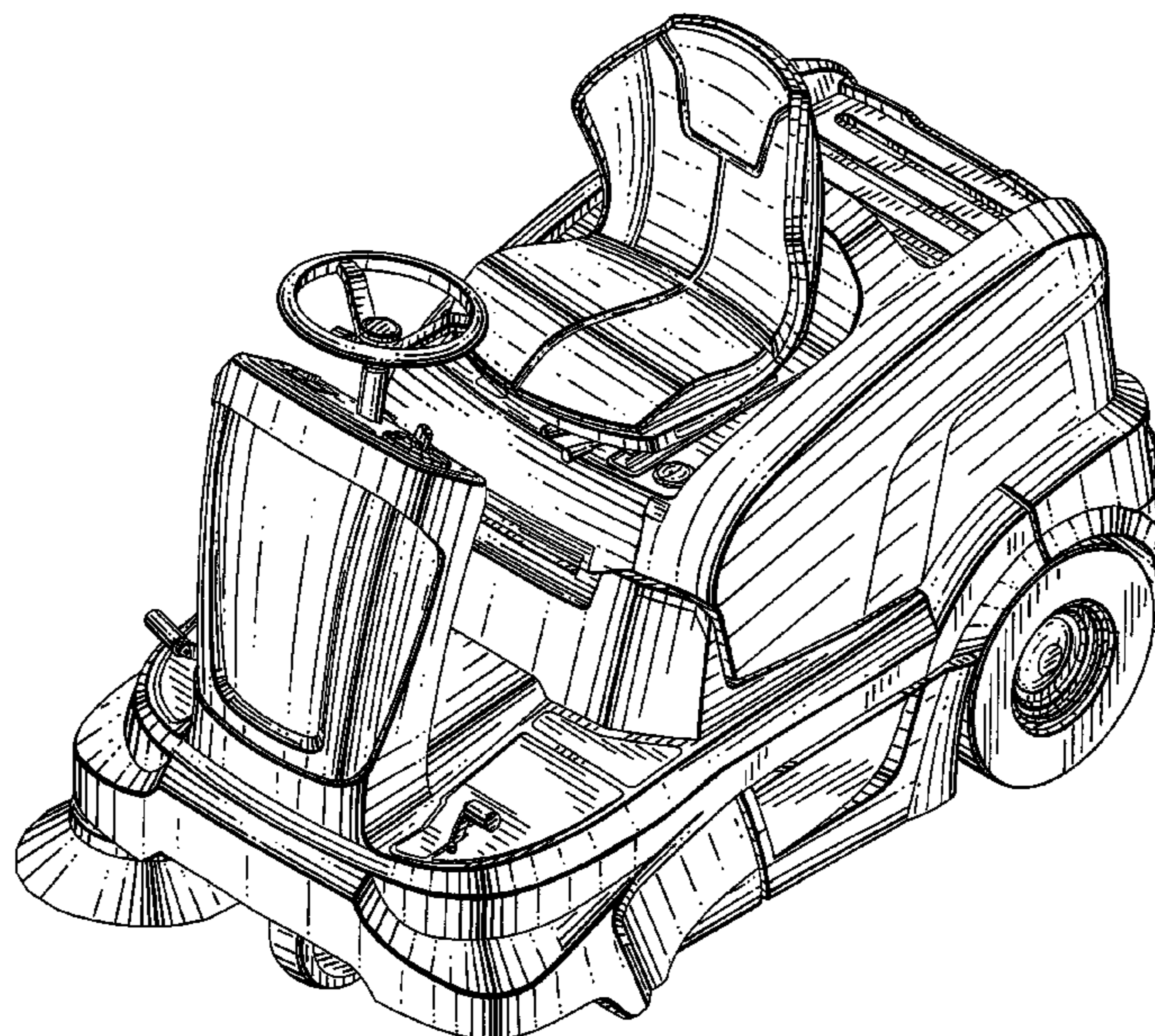
FIG. 4 is a right side elevational view thereof;

FIG. 5 is a rear elevational view thereof;

FIG. 6 is a left side elevational view thereof; and,

FIG. 7 is a top plan view thereof.

1 Claim, 7 Drawing Sheets



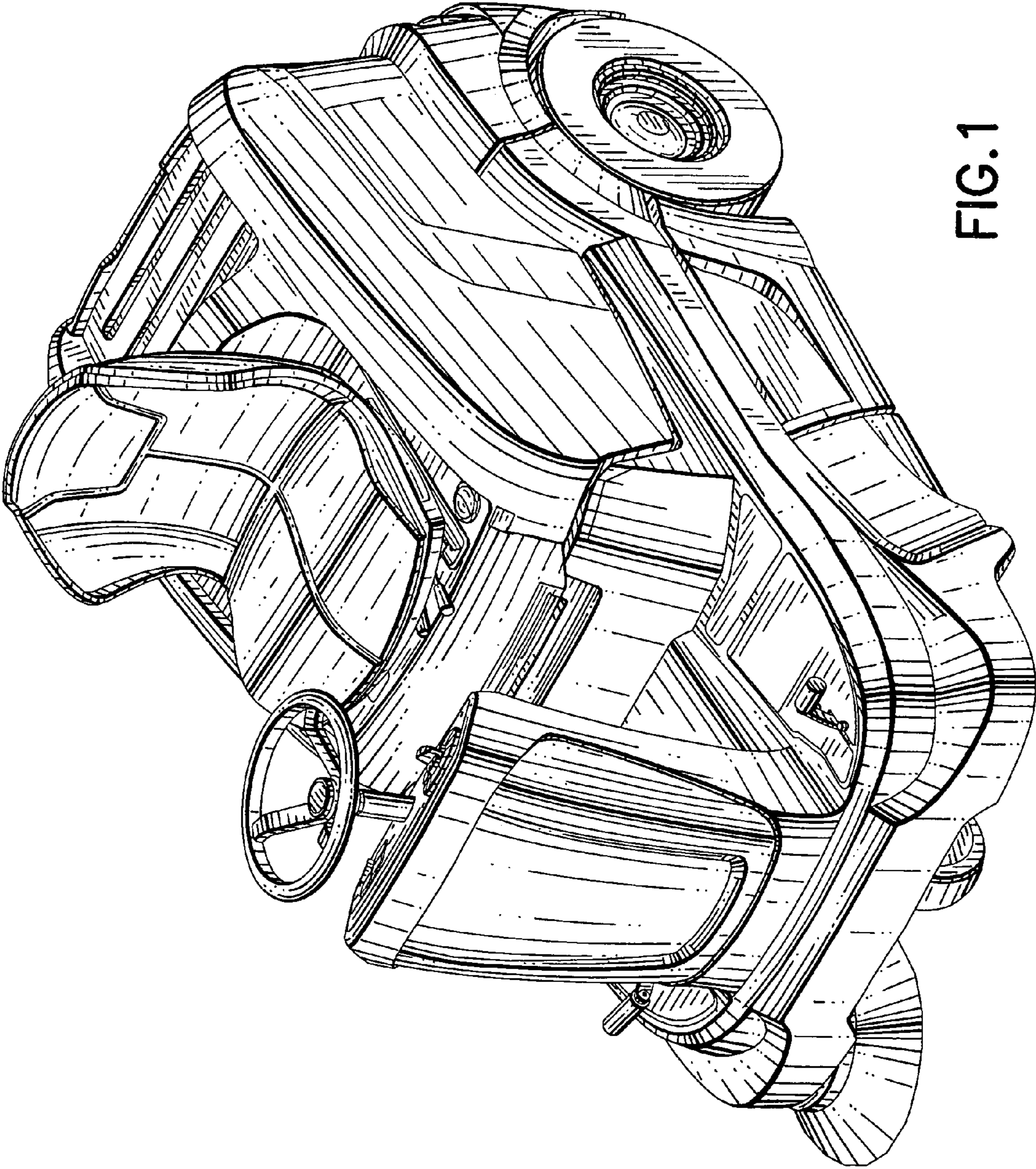
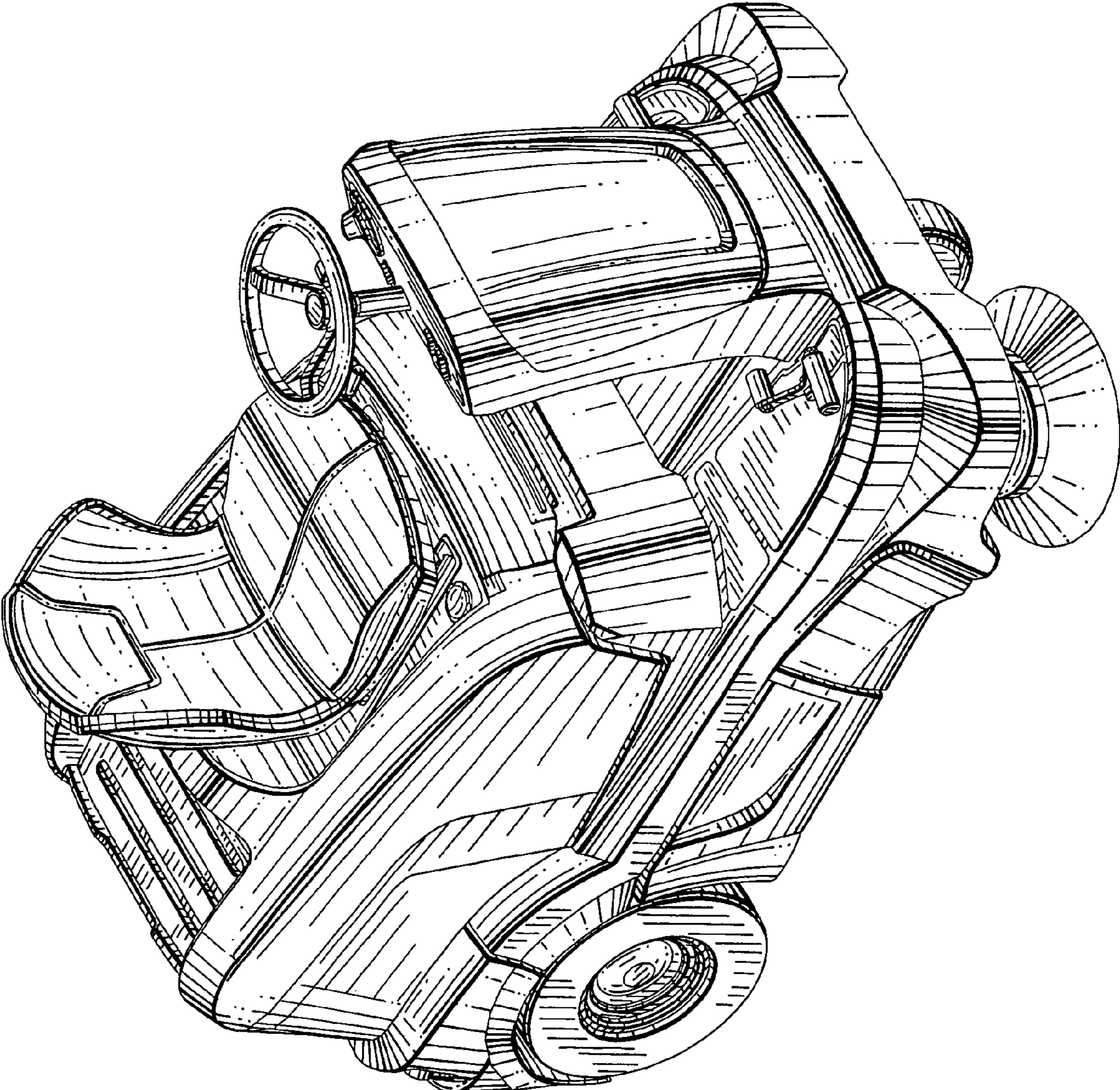


FIG.1

FIG. 2



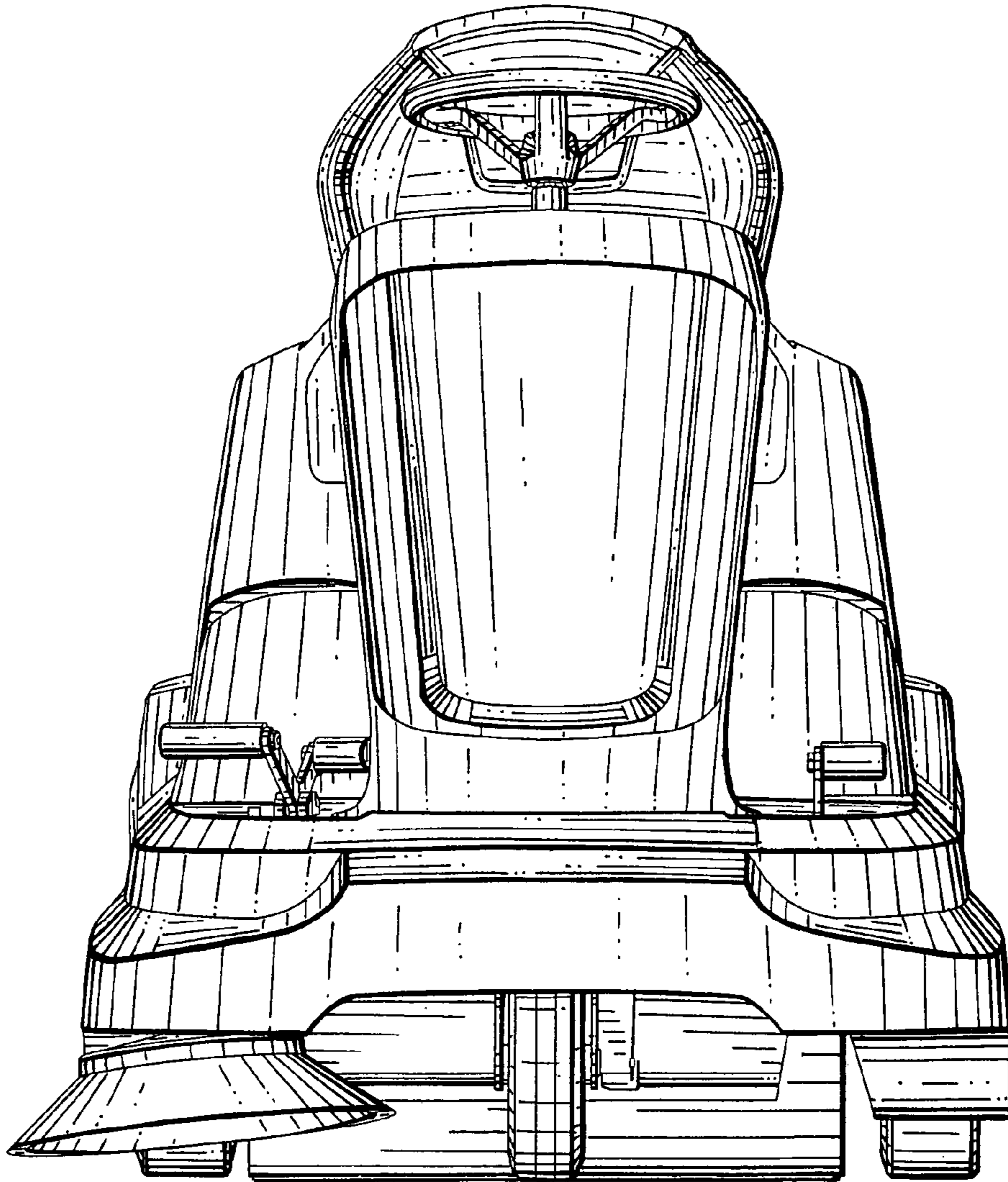


FIG.3

FIG.4

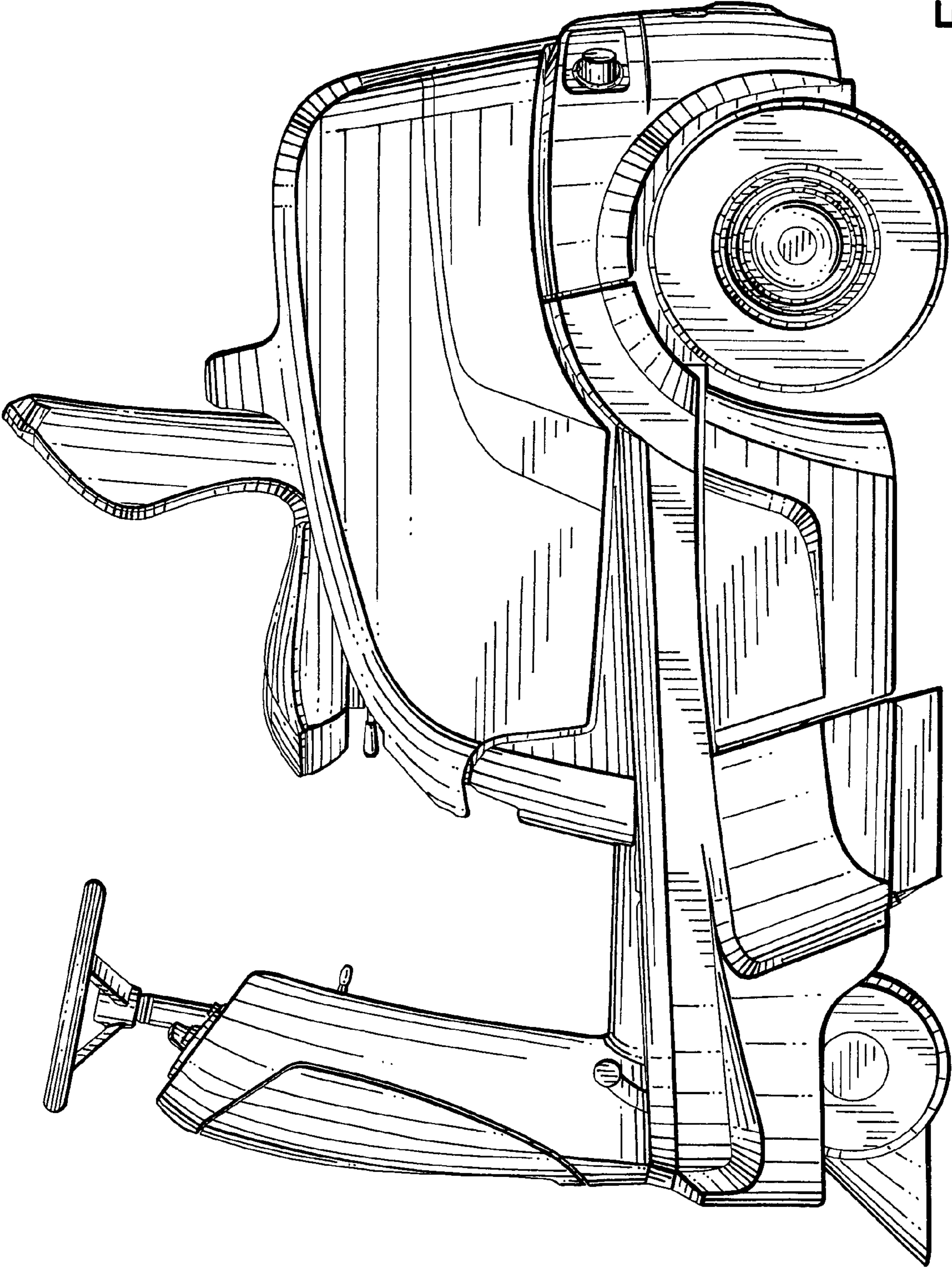
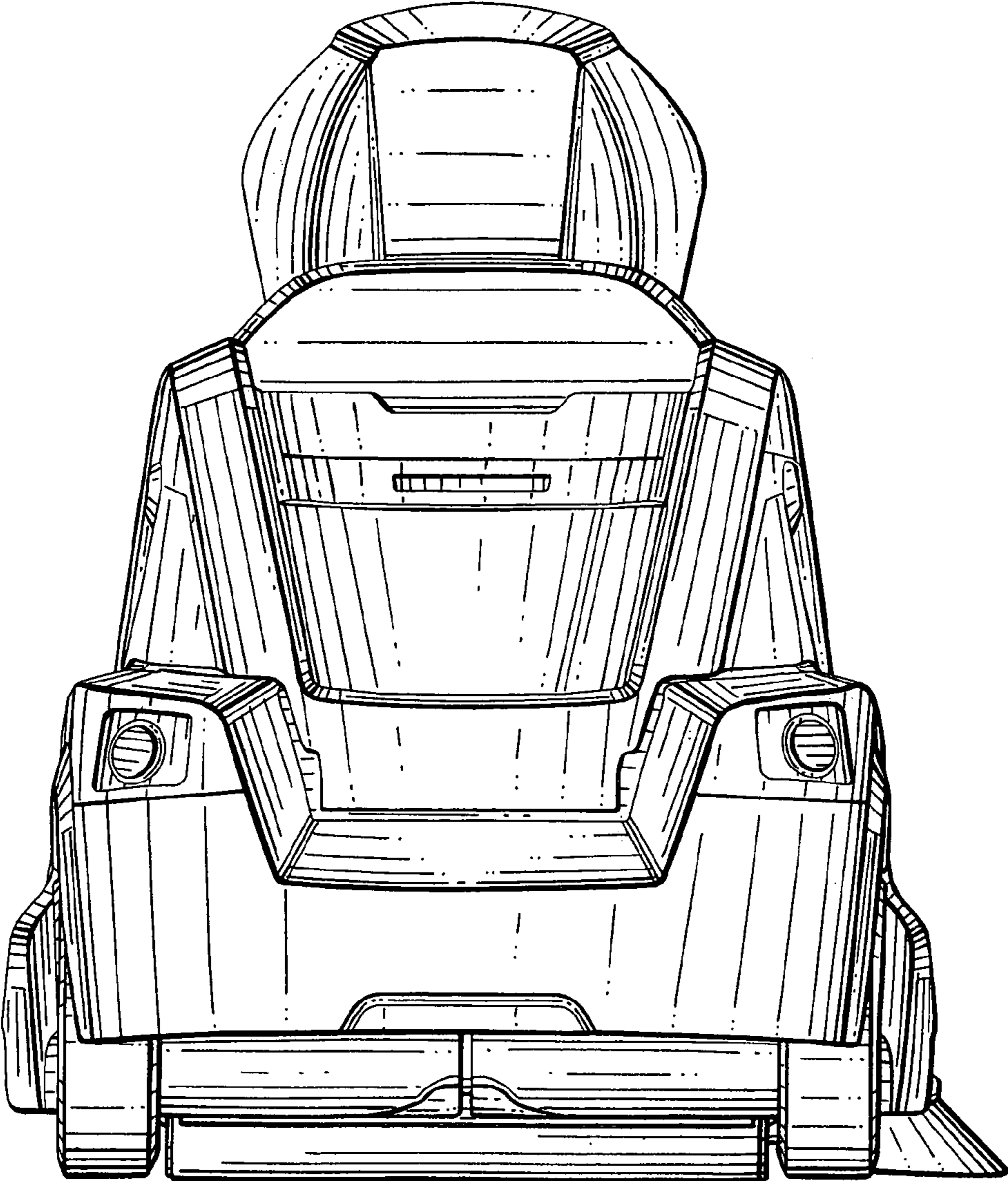


FIG.5



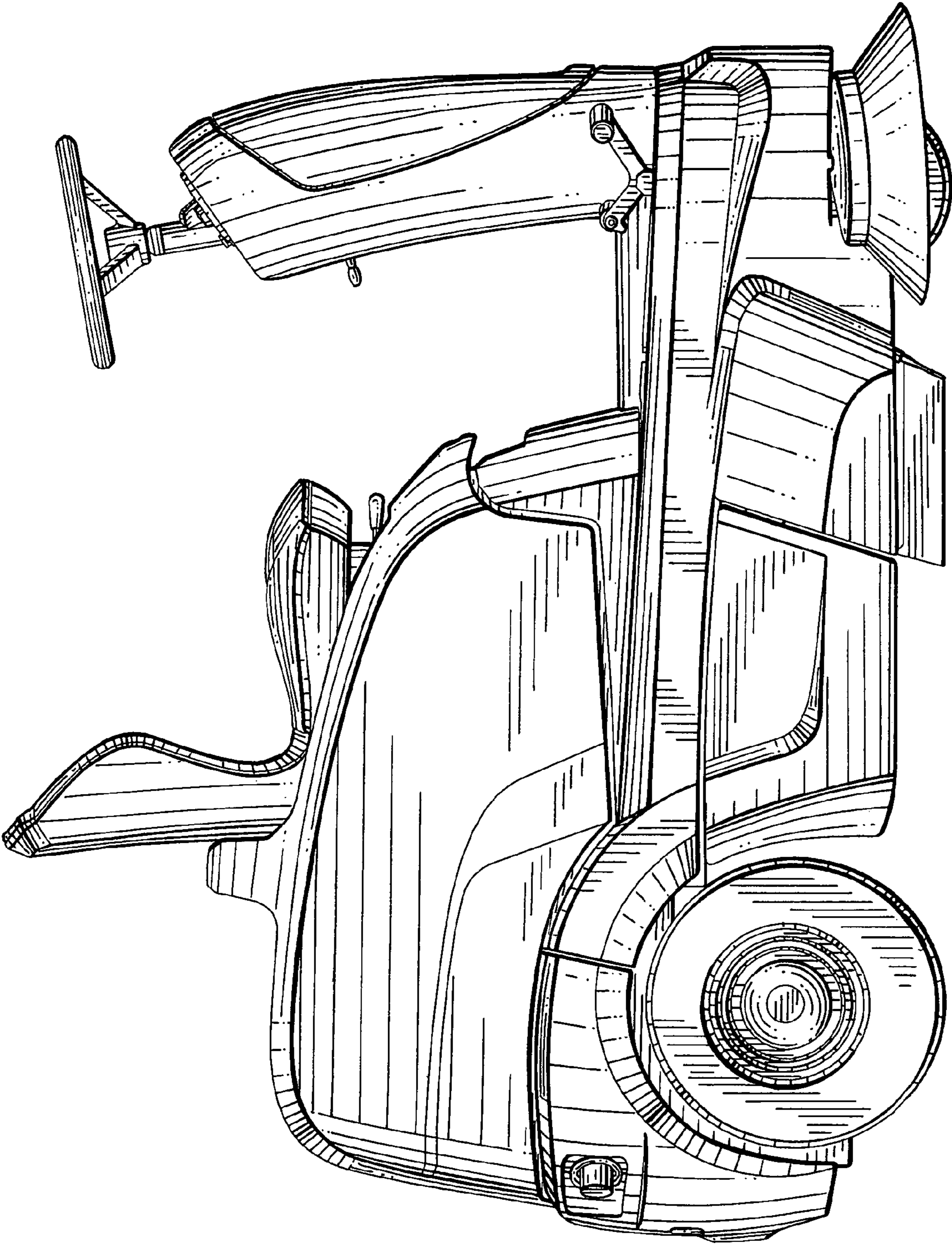


FIG. 6

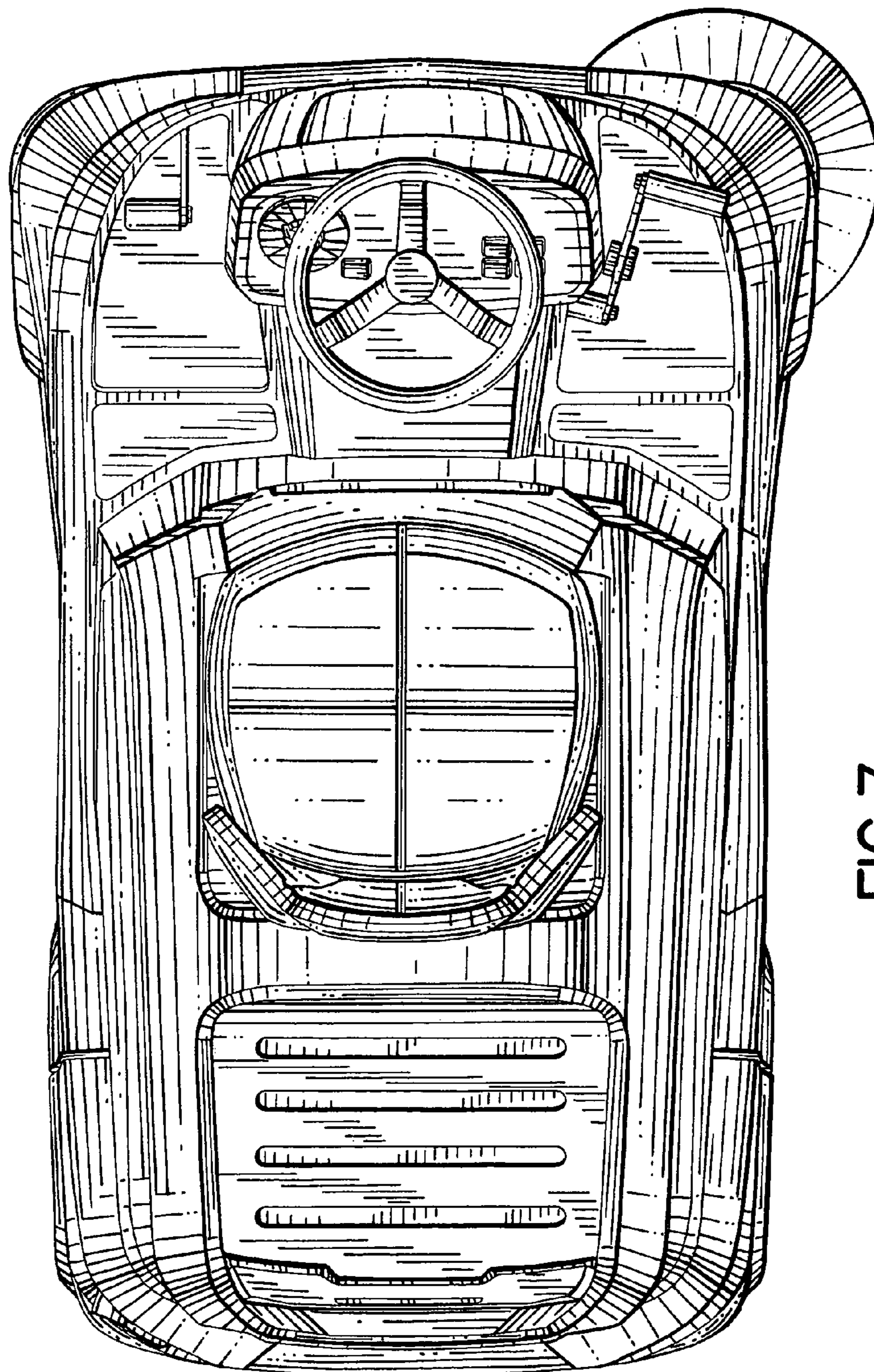


FIG. 7

UNITED STATES PATENT AND TRADEMARK OFFICE
CERTIFICATE OF CORRECTION

PATENT NO. : Des. 580,606 S
APPLICATION NO. : 29/294074
DATED : November 11, 2008
INVENTOR(S) : Dammkoehler et al.

Page 1 of 1

It is certified that error appears in the above-identified patent and that said Letters Patent is hereby corrected as shown below:

The description of Figure 1 is corrected to read:

--FIG. 1 is a front, top, right side perspective view of a sweeping machine showing our new design;--

Signed and Sealed this

Twenty-fourth Day of February, 2009



JOHN DOLL
Acting Director of the United States Patent and Trademark Office