



US00D580605S

(12) **United States Design Patent**
Rodenkirch et al.

(10) **Patent No.:** **US D580,605 S**

(45) **Date of Patent:** **** Nov. 11, 2008**

(54) **FLOOR FINISH APPLICATOR**

6,279,838 B1 * 8/2001 Sivells et al. 239/146

(75) Inventors: **Douglas S. Rodenkirch**, Sun Prairie, WI (US); **Scott I. Biba**, Highland, WI (US); **Craig P. Conner**, Madison, WI (US); **Daniel R. Nett**, Sun Prairie, WI (US); **Nicholas S. Reback**, Monona, WI (US)

FOREIGN PATENT DOCUMENTS

WO WO 03/106042 A1 12/2003

OTHER PUBLICATIONS

<http://www.hillyard.com/images/product/HIL50124.jpg>, Jan. 4, 2008.*

<http://www.hillyard.com>, Jan. 4, 2008.*

Pages 1-10 of an Owner's Manual entitled Ultra-Trak Model 5000, dated Mar. 4, 2005.

Two pages showing an advertisement of the KiaMotion II Kaivac Cleaning Systems dated Feb. 14, 2006.

Two pages showing an advertisement of the KiaMotion Kaivac Cleaning Systems dated Feb. 14, 2006.

One page of an advertisement showing the Hillyard, The Cleaning Resource dated Feb. 14, 2006.

One page of a Newsletter showing the KiaMotion SUV Kiavac Cleaning Systems dated Feb. 14, 2006.

* cited by examiner

Primary Examiner—Louis S Zarfaz

Assistant Examiner—Kathleen M Sims

(74) *Attorney, Agent, or Firm*—Gregory S. Bollis

(73) Assignee: **JohnsonDiversey, Inc.**, Sturtevant, WI (US)

(**) Term: **14 Years**

(21) Appl. No.: **29/282,454**

(22) Filed: **Jul. 20, 2007**

(51) **LOC (8) Cl.** **15-05**

(52) **U.S. Cl.** **D32/15**

(58) **Field of Classification Search** D32/1,
D32/15-25, 31, 33-34; D8/61, 62, 67; D4/102;
15/49.1, 232, 320-323, 331-332, 340, 344,
15/34, 353-354

See application file for complete search history.

(57) **CLAIM**

The ornamental design for a floor finish applicator, as shown and described.

(56) **References Cited**

U.S. PATENT DOCUMENTS

2,979,756 A	4/1961	Wallis	15/546
3,457,015 A	7/1969	Taber	401/48
3,797,743 A *	3/1974	Kommers et al.	239/148
D232,938 S *	9/1974	Hettich	D15/13
D234,513 S *	3/1975	Kommers	D15/13
D235,996 S *	7/1975	Scheider	D15/13
3,940,065 A *	2/1976	Ware et al.	239/146
D241,439 S *	9/1976	Ware et al.	D15/13
3,981,596 A	9/1976	Melton	401/48
4,124,315 A	11/1978	Melton	401/48
D262,627 S *	1/1982	David et al.	D15/13
4,471,713 A	9/1984	Cote et al.	118/108
4,588,318 A	5/1986	O'Brien et al.	401/146
D307,590 S *	5/1990	Ridgeon	D15/13
D341,913 S *	11/1993	Swan	D32/15
6,017,163 A	1/2000	Keppers et al.	401/48
6,070,808 A *	6/2000	Kildow	239/146

DESCRIPTION

FIG. 1 is right, front perspective view of a floor finish applicator embodying our new design;

FIG. 2 is a front elevational view thereof;

FIG. 3 is a rear elevational view thereof;

FIG. 4 is a right side elevation view thereof;

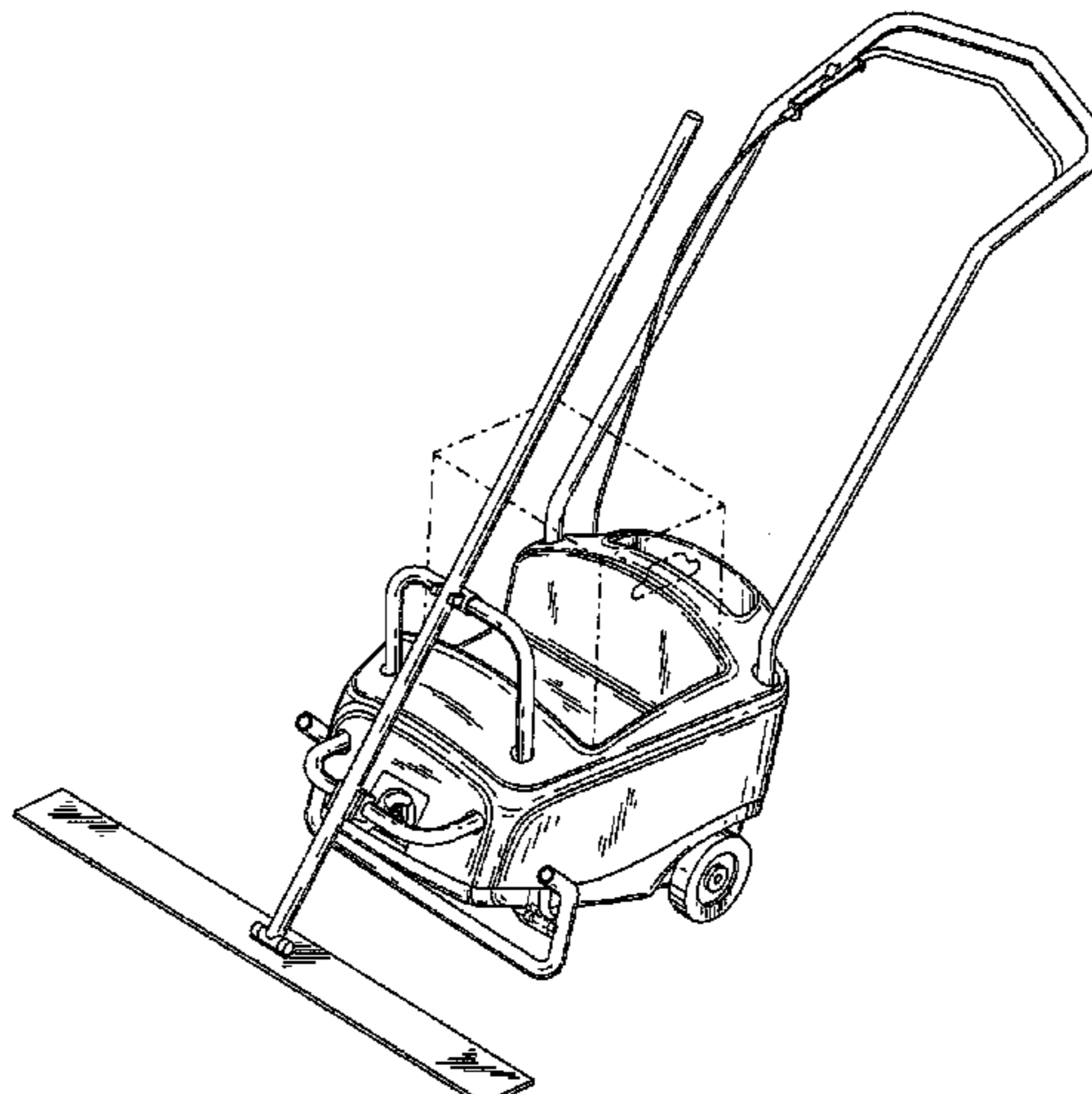
FIG. 5 is a left side elevational view thereof;

FIG. 6 is a top plan view thereof; and,

FIG. 7 is a bottom plan view thereof.

The broken line representations of a container in FIGS. 1 and 2 and the broken line representation of a spray applicator in FIG. 2 are for illustration only and forms no part of the claimed design.

1 Claim, 6 Drawing Sheets



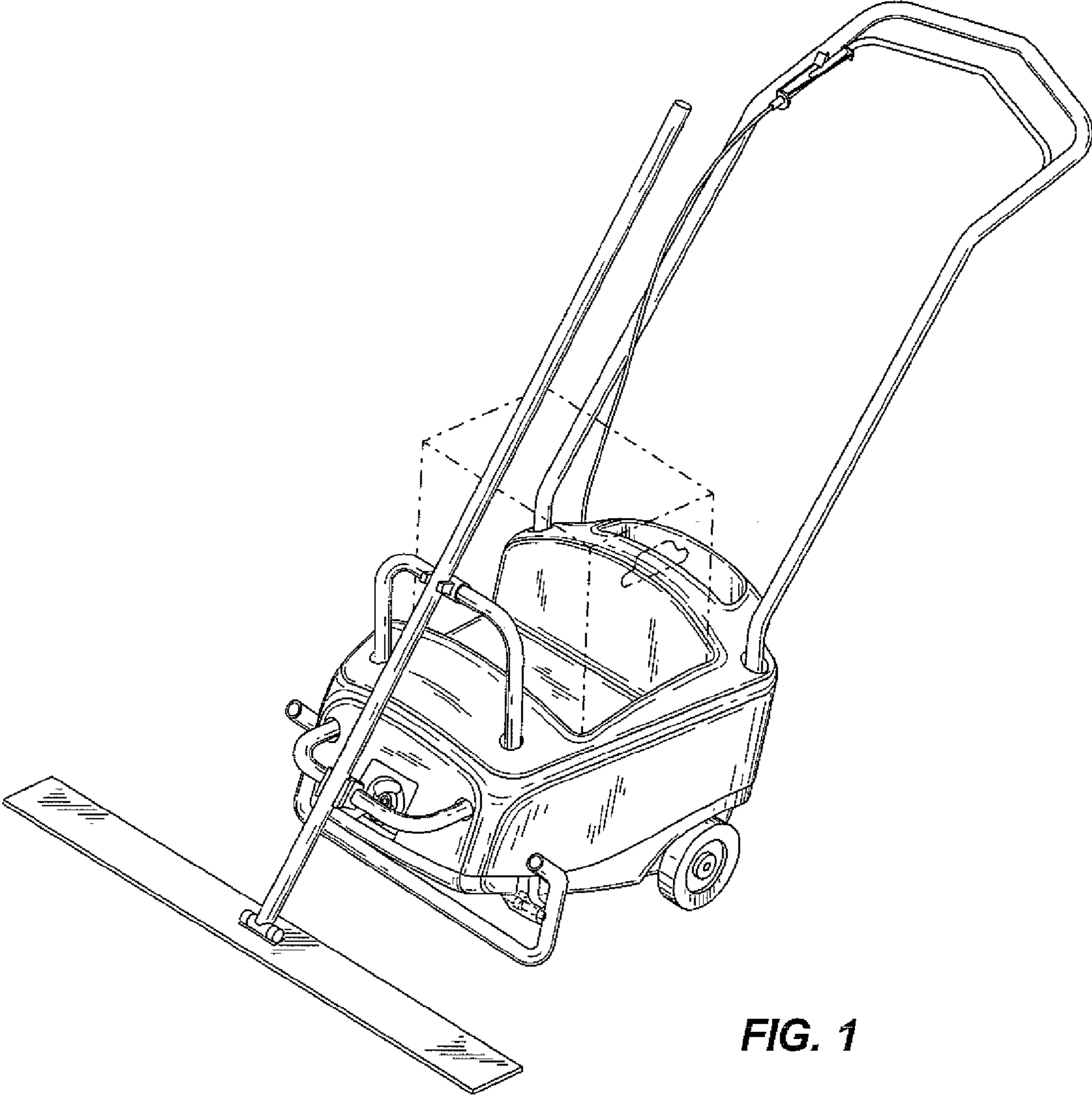


FIG. 1

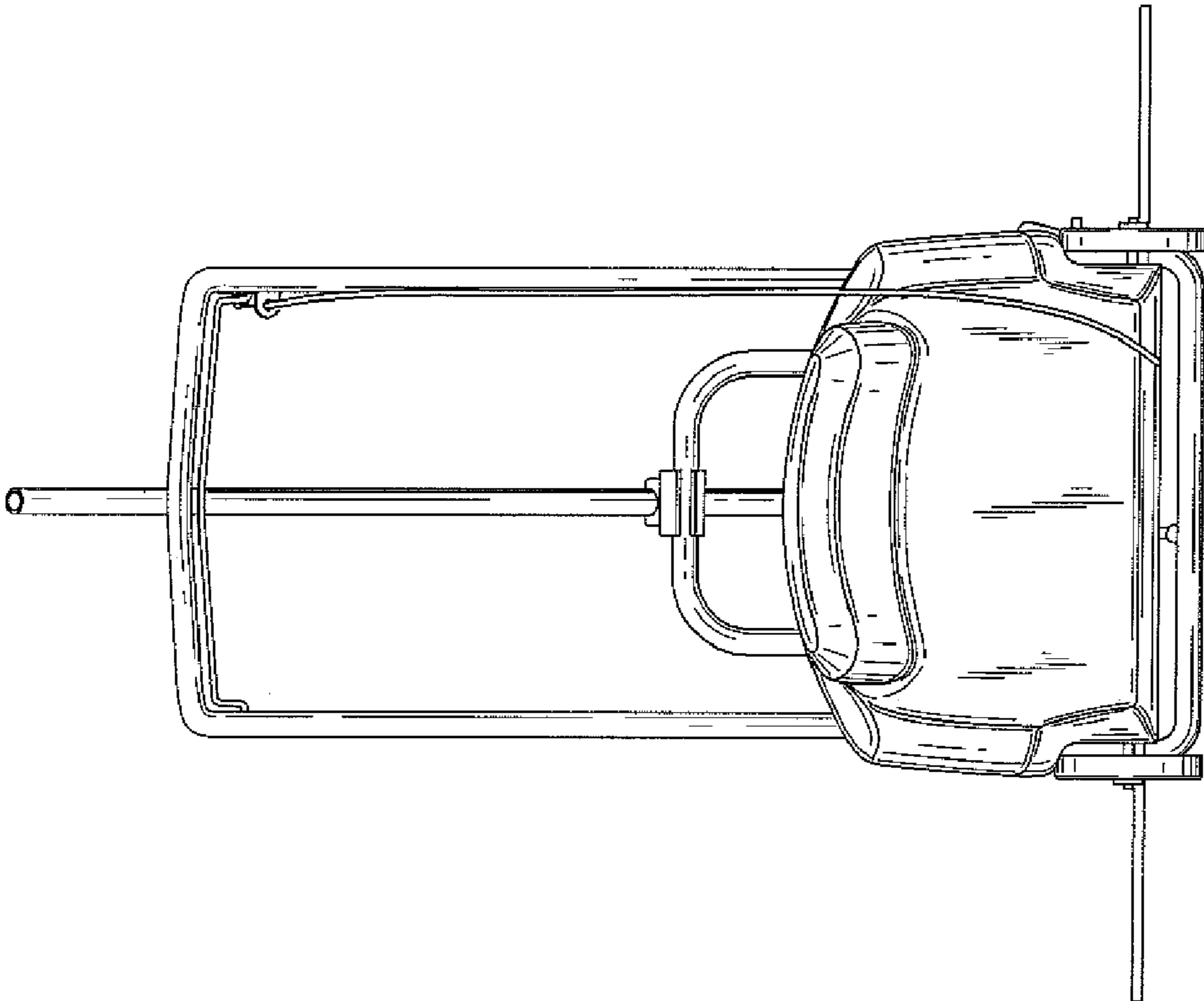


FIG. 3

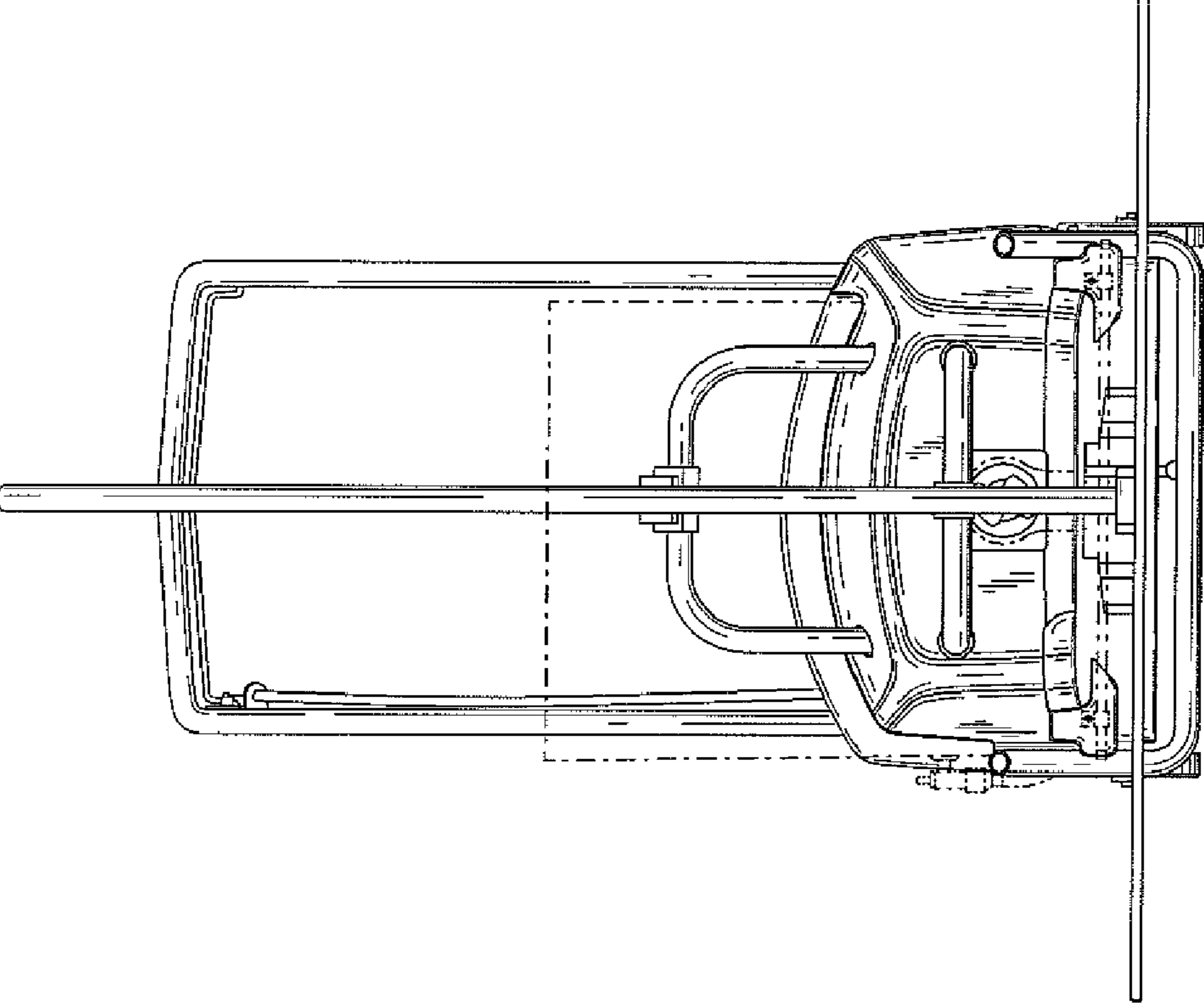


FIG. 2

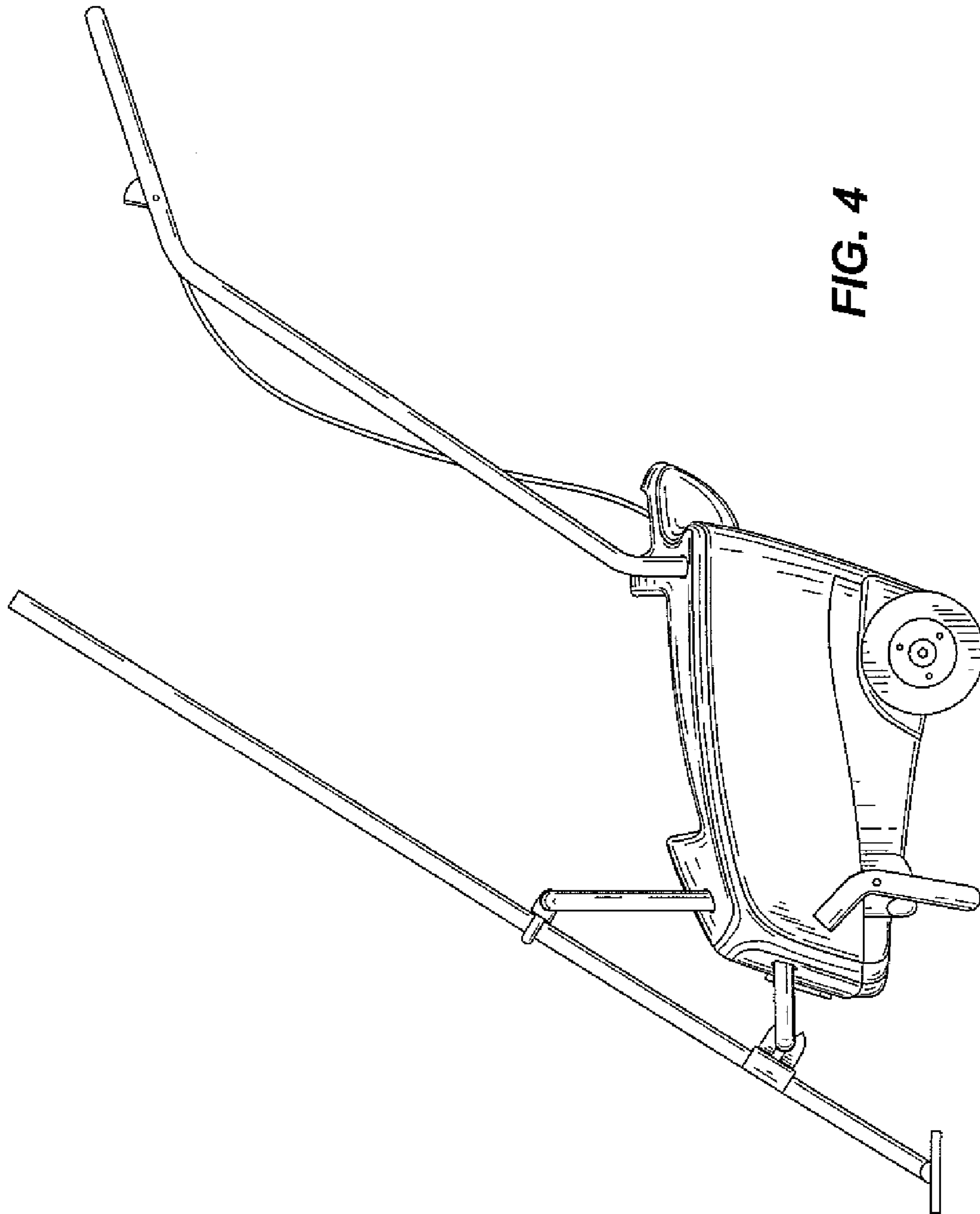


FIG. 4

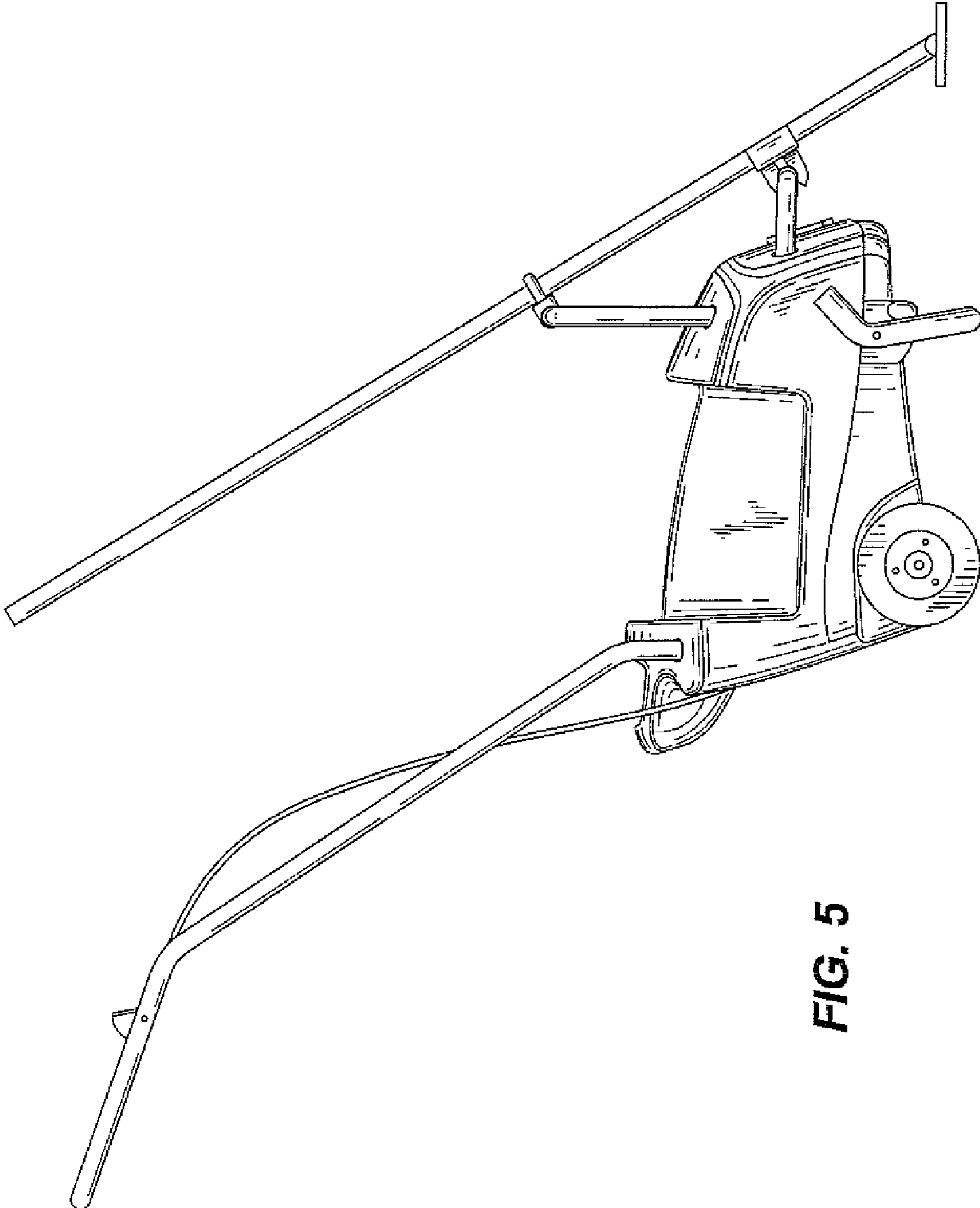


FIG. 5

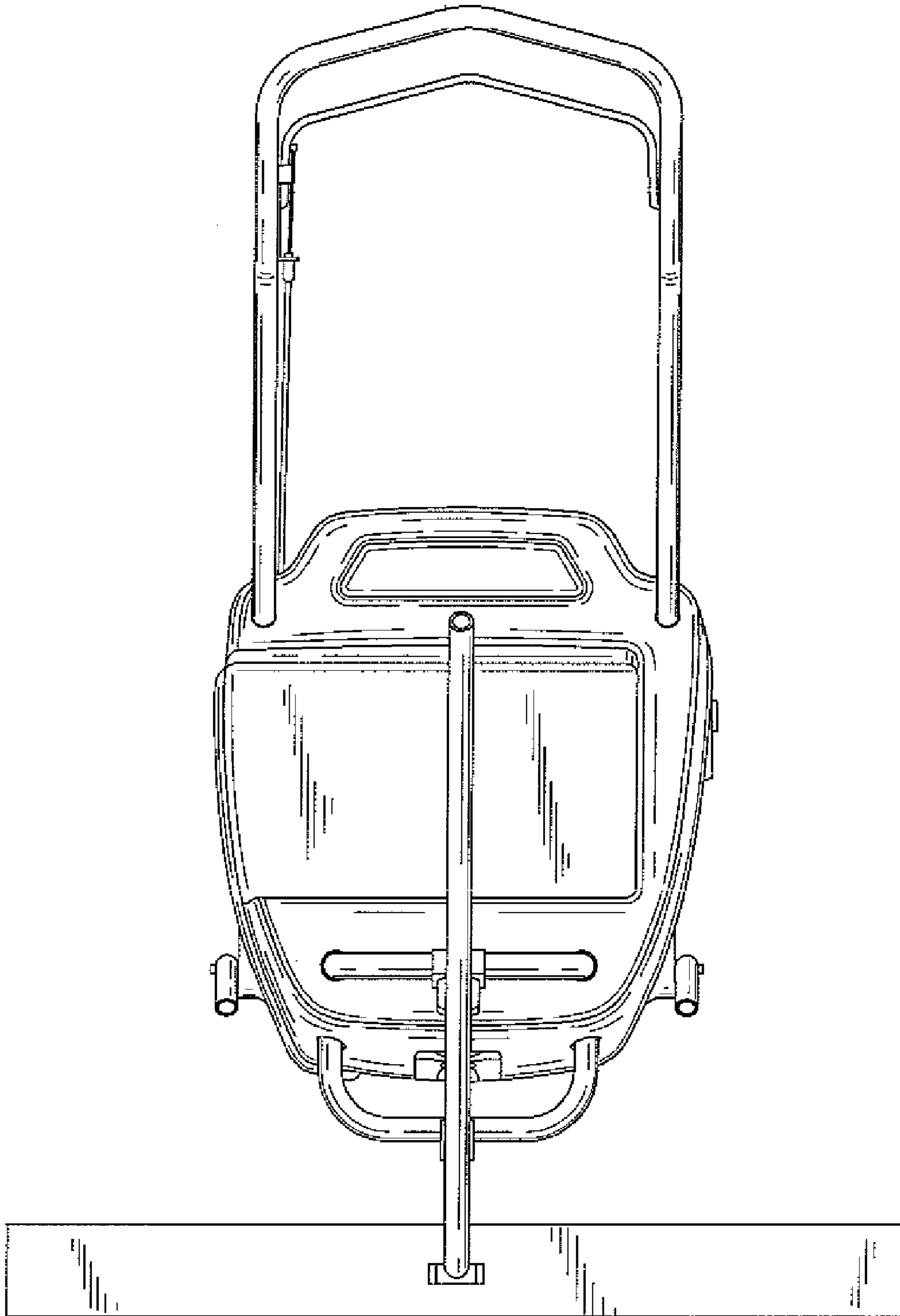


FIG. 6

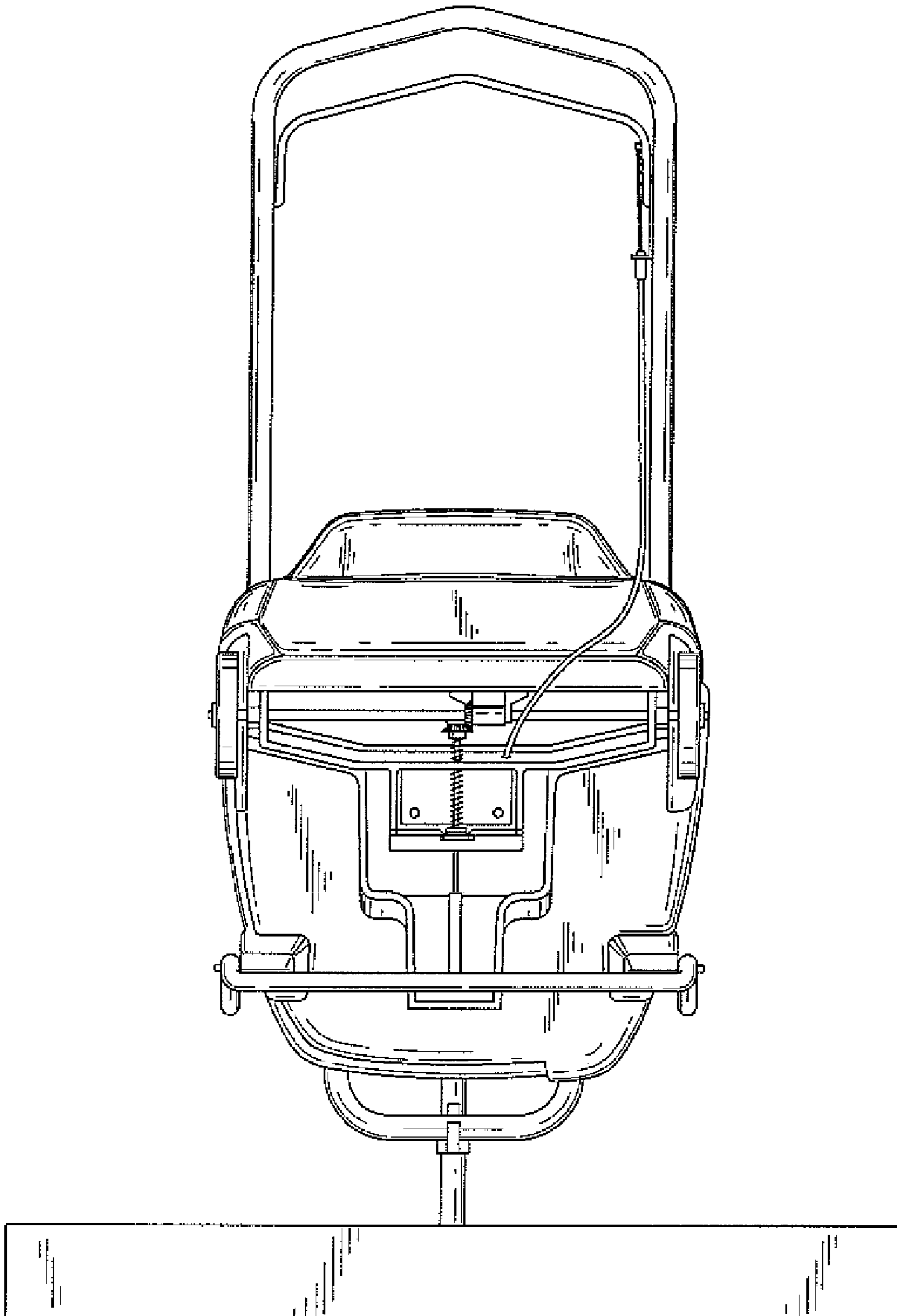


FIG. 7