



US00D580602S

(12) **United States Design Patent**
Andrako

(10) **Patent No.:** **US D580,602 S**

(45) **Date of Patent:** **** Nov. 11, 2008**

(54) **BIRD SWING FOR CAGE**

(76) **Inventor:** **Stanley George Andrako**, 16321 Lorain Ave., Apartment #401, Cleveland, OH (US) 44111

(**) **Term:** **14 Years**

(21) **Appl. No.:** **29/291,288**

(22) **Filed:** **Aug. 23, 2007**

(51) **LOC (8) Cl.** **30-02**

(52) **U.S. Cl.** **D30/119**

(58) **Field of Classification Search** D30/110-111, D30/119, 124-128, 160; 119/57.8-57.9, 119/531, 536-537, 706-708, 467-468

See application file for complete search history.

(56) **References Cited**

U.S. PATENT DOCUMENTS

D153,272	S *	4/1949	Forner	D30/119
D175,292	S *	8/1955	Austgen	D30/160
D180,914	S *	9/1957	Otis	D30/119
2,808,807	A *	10/1957	Winton et al.	119/468
D183,655	S *	10/1958	Hansen	D30/119
3,398,719	A	8/1968	Walker		
3,810,445	A *	5/1974	Stadler	119/537
4,677,938	A	7/1987	Tominaga		
5,010,848	A *	4/1991	Rankin	119/468
5,218,927	A *	6/1993	Addams	119/537
5,265,557	A *	11/1993	Lovitz	119/468
5,315,957	A	5/1994	Garay		
D353,693	S *	12/1994	Lawson	D30/119
5,413,068	A *	5/1995	Segal	119/537

5,588,397	A	12/1996	Johnakin, III		
D384,442	S *	9/1997	Cirelli	D30/119
5,803,018	A *	9/1998	Liou	119/461
D400,314	S *	10/1998	Nicolai et al.	D30/119
D419,268	S *	1/2000	Frank	D30/119
D420,472	S *	2/2000	Dellasandro et al.	D30/119
D437,979	S *	2/2001	Lian	D30/119
D469,586	S *	1/2003	McGinn et al.	D30/119
D483,157	S *	12/2003	Yang	D30/119
6,827,040	B1 *	12/2004	McGinn et al.	119/706
7,086,352	B2 *	8/2006	Goodger	119/537
D559,475	S *	1/2008	Bonner	D30/160
2002/0124807	A1	9/2002	Engelking et al.		

* cited by examiner

Primary Examiner—Cathy Anne MacCormac

(74) *Attorney, Agent, or Firm*—Theresa M. Seal

(57) **CLAIM**

The ornamental design for a bird swing for cage, as shown and described.

DESCRIPTION

FIG. 1 is a perspective view of a bird swing for cage;

FIG. 2 is another perspective view thereof;

FIG. 3 is a front elevation view thereof; the rear view being a mirror image thereof;

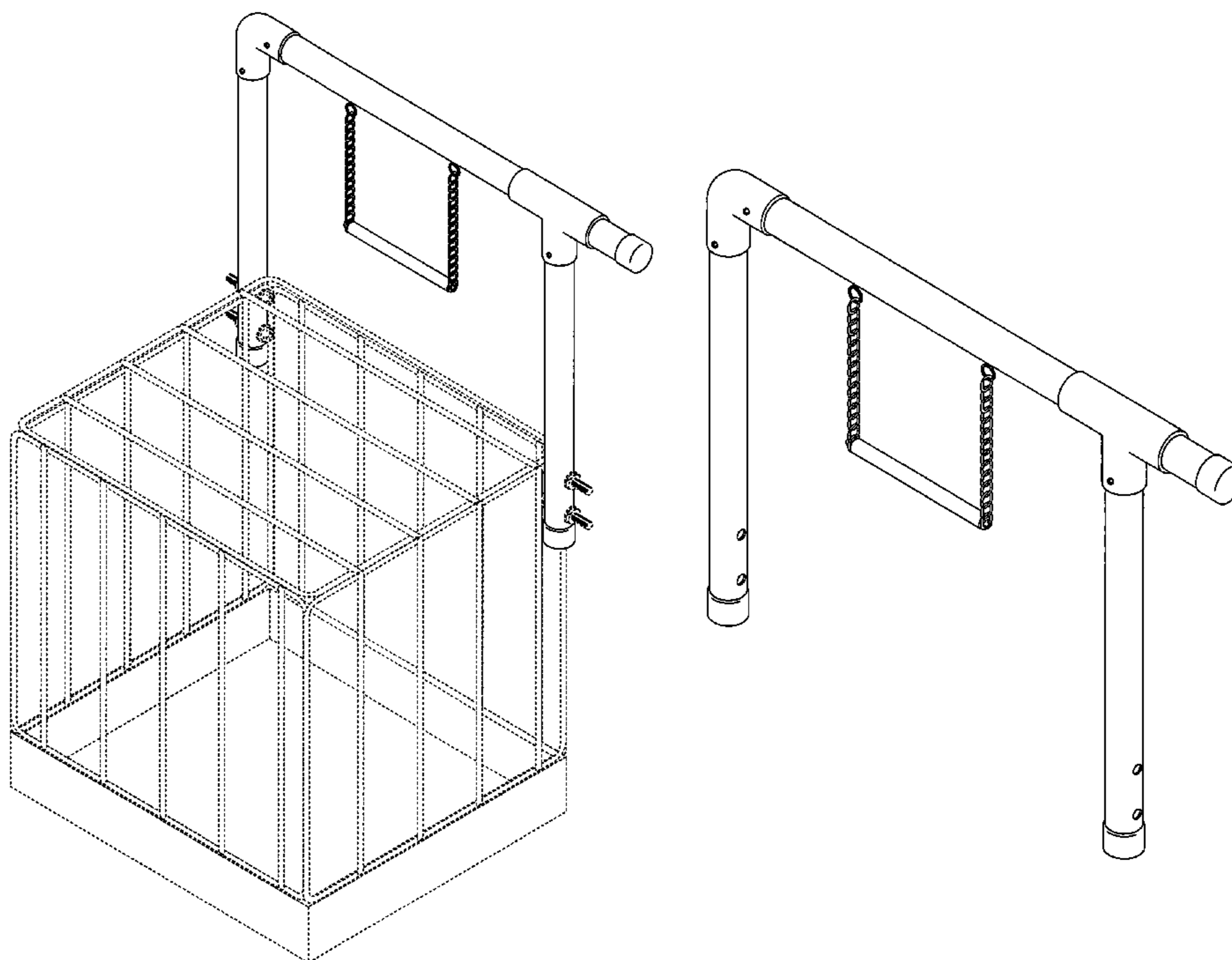
FIG. 4 is a left side view thereof;

FIG. 5 is a right side view thereof;

FIG. 6 is a top plan view thereof; and,

FIG. 7 is a bottom plan view thereof.

1 Claim, 4 Drawing Sheets



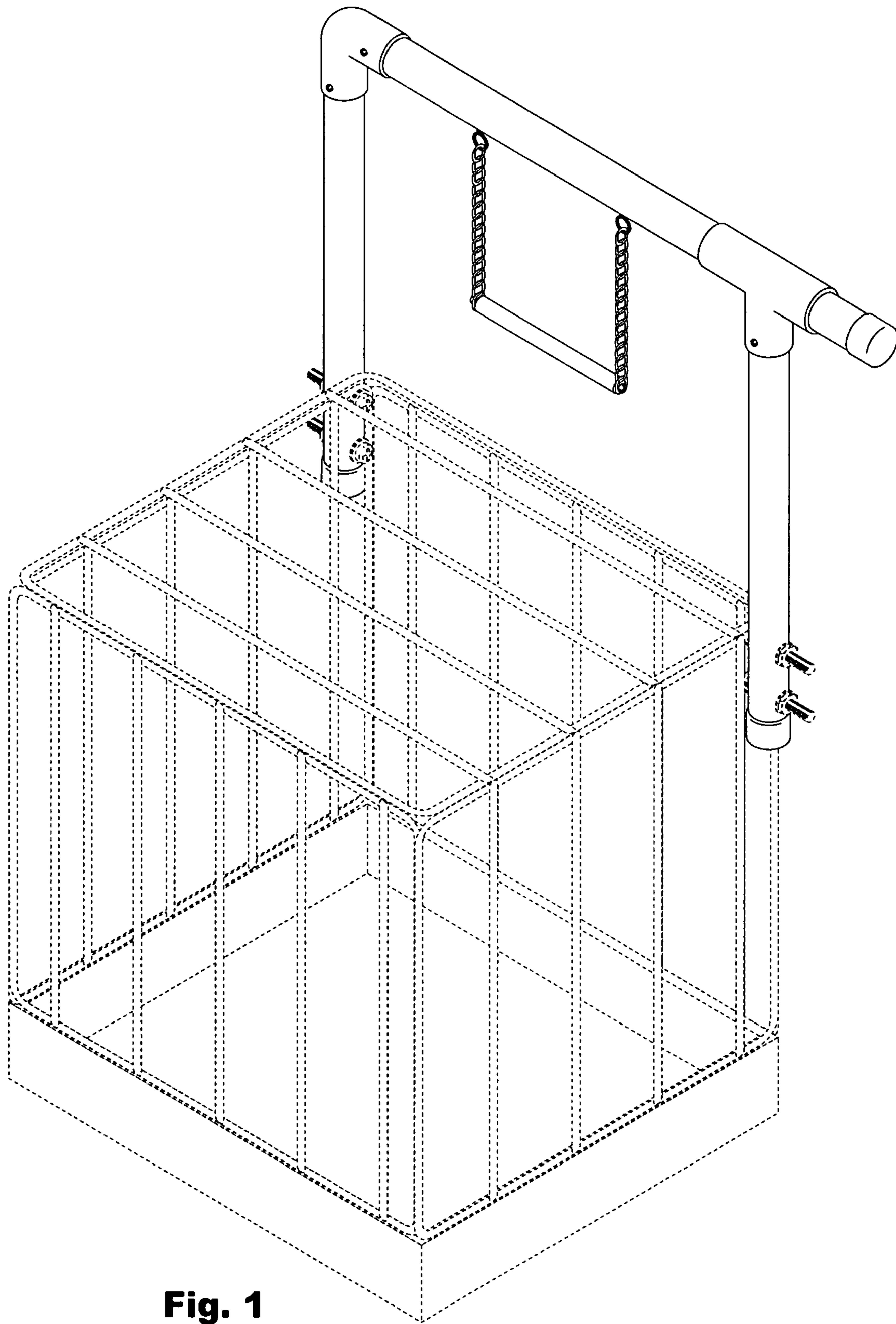


Fig. 1

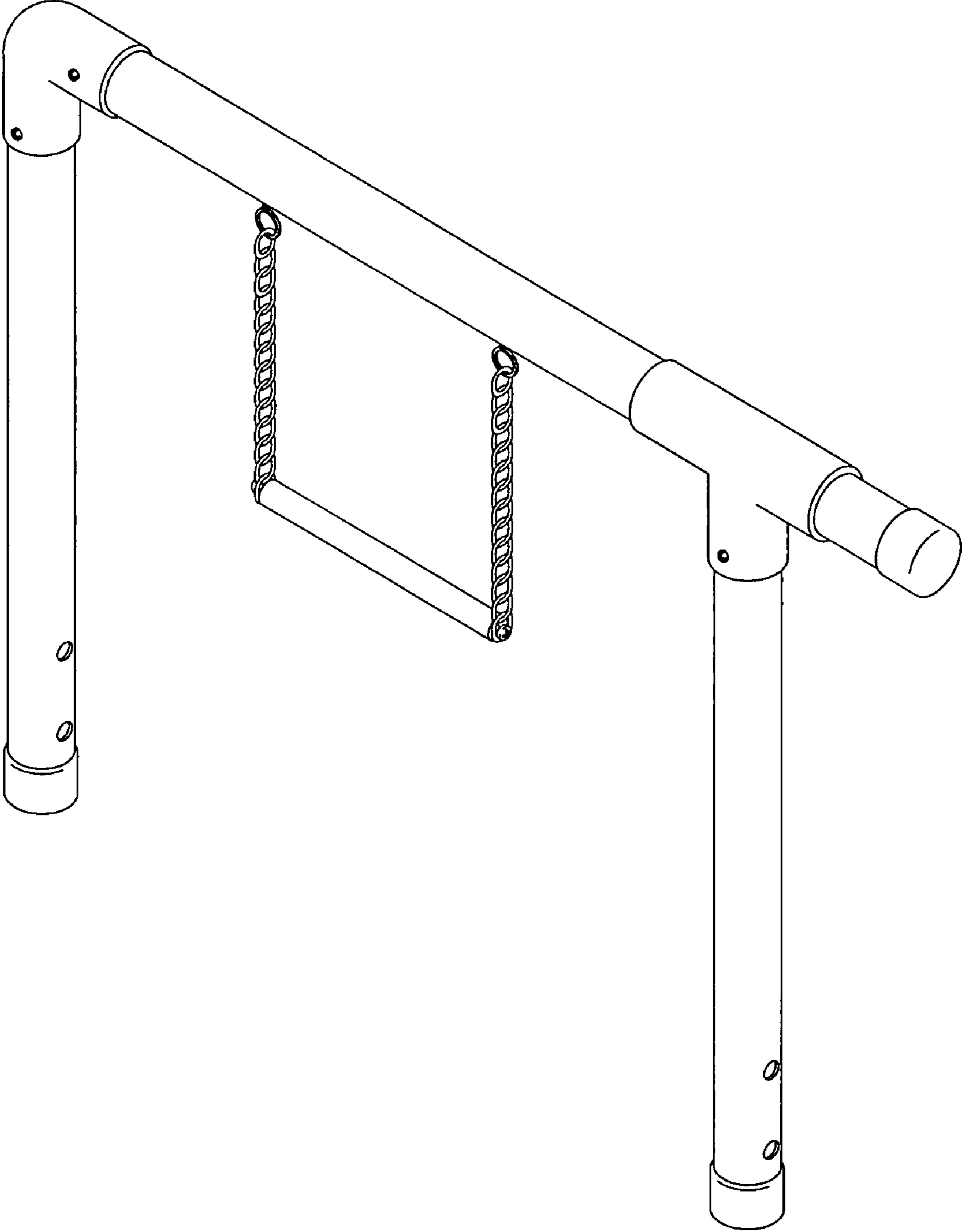


Fig. 2

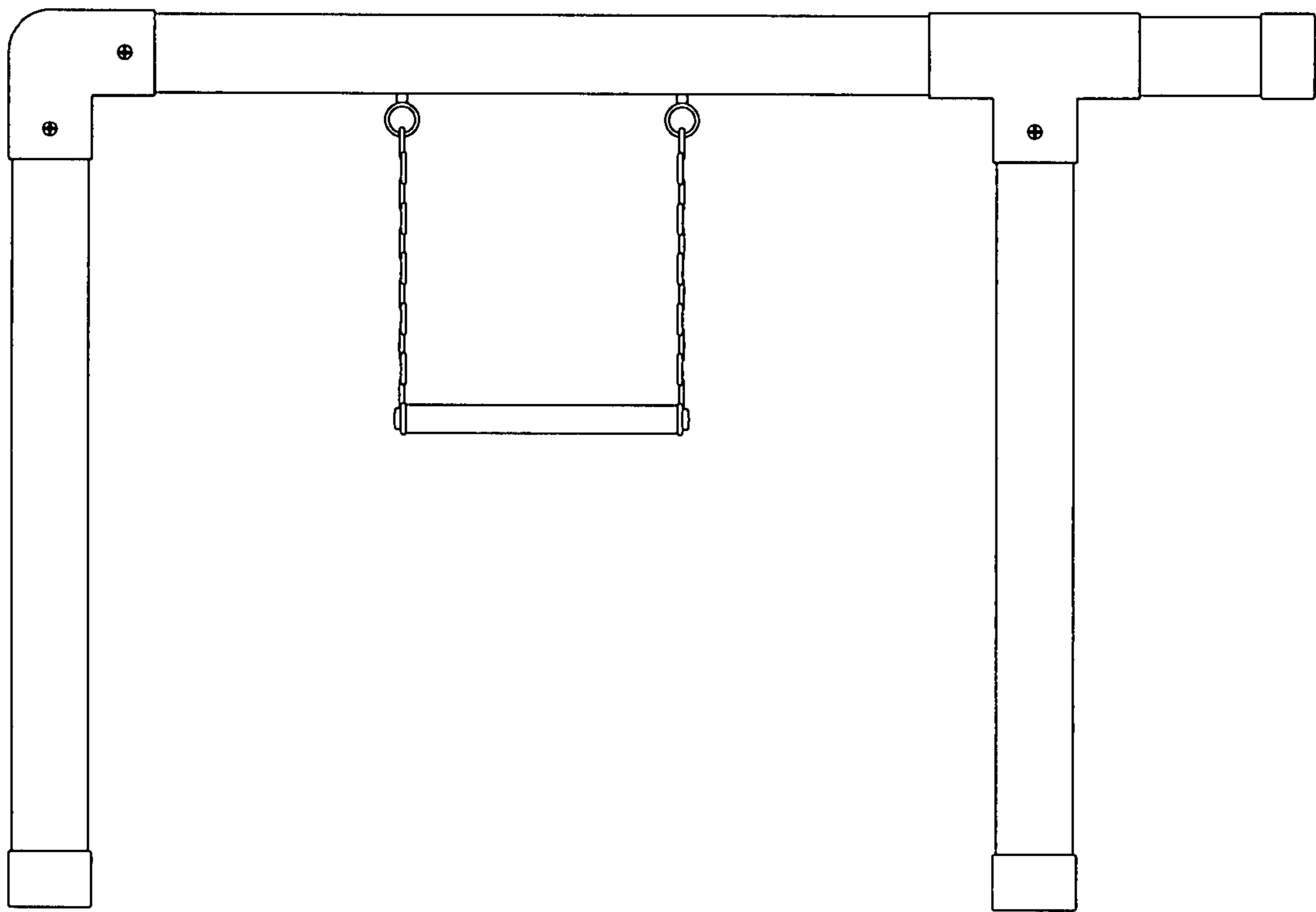


Fig. 3

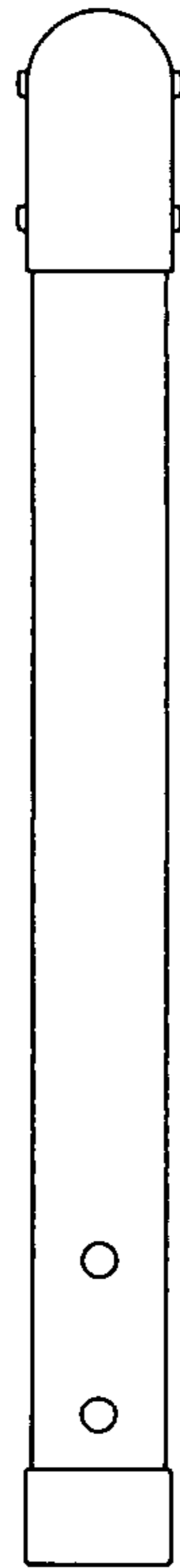


Fig. 4

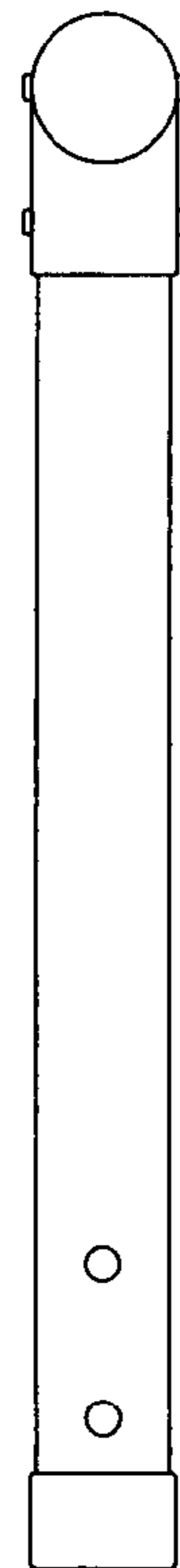


Fig. 5

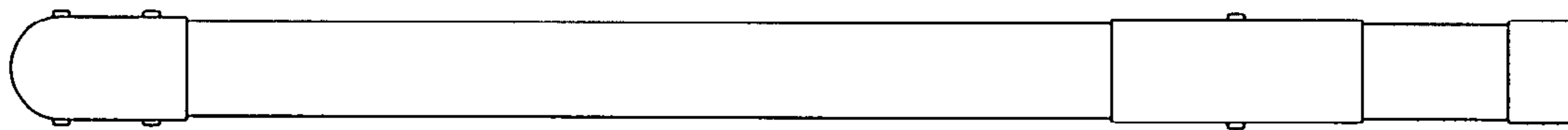


Fig. 6

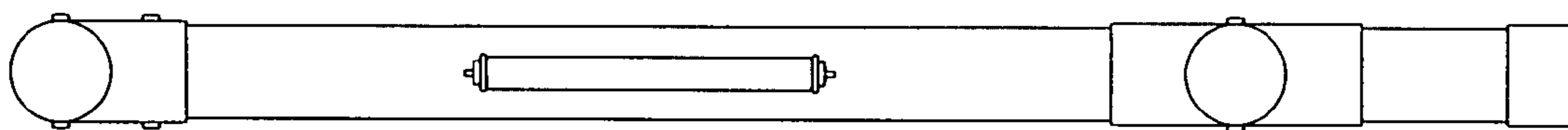


Fig. 7