



US00D580594S

(12) **United States Design Patent**
Leung

(10) **Patent No.:** **US D580,594 S**

(45) **Date of Patent:** **** Nov. 11, 2008**

(54) **HAIR DRYER**

D479,358 S * 9/2003 Yeung D28/13
D494,318 S * 8/2004 Nishizawa et al. D28/13
D499,209 S * 11/2004 Ikesaki D28/13

(75) Inventor: **Anthony Kit Lun Leung**, North Point
(CN)

* cited by examiner

(73) Assignee: **Conair Corporation**, Stamford, CT
(US)

Primary Examiner—Janice E. Seeger

Assistant Examiner—Zenia I Bennett

(**) Term: **14 Years**

(74) *Attorney, Agent, or Firm*—Lawrence Cruz

(21) Appl. No.: **29/285,172**

(57) **CLAIM**

(22) Filed: **Mar. 22, 2007**

The ornamental design for a hair dryer, as shown and described.

(51) **LOC (8) Cl.** **28-03**

(52) **U.S. Cl.** **D28/13**

(58) **Field of Classification Search** D28/12-19;
34/96-101; 392/380-385; 219/222

See application file for complete search history.

DESCRIPTION

(56) **References Cited**

U.S. PATENT DOCUMENTS

D398,717 S * 9/1998 Kling et al. D28/13
D425,243 S * 5/2000 Mattis D28/13
D429,028 S * 8/2000 Muller et al. D28/13
D438,340 S * 2/2001 Gudefin D28/13
D456,562 S * 4/2002 Micinilio et al. D28/13
D460,214 S * 7/2002 Parodi D28/13
D468,862 S * 1/2003 Barski D28/13
D474,858 S * 5/2003 Harris et al. D28/13

FIG. 1 is a perspective view of a hair dryer showing my new design;

FIG. 2 is a right side view thereof;

FIG. 3 is a left side view thereof;

FIG. 4 is a front view thereof;

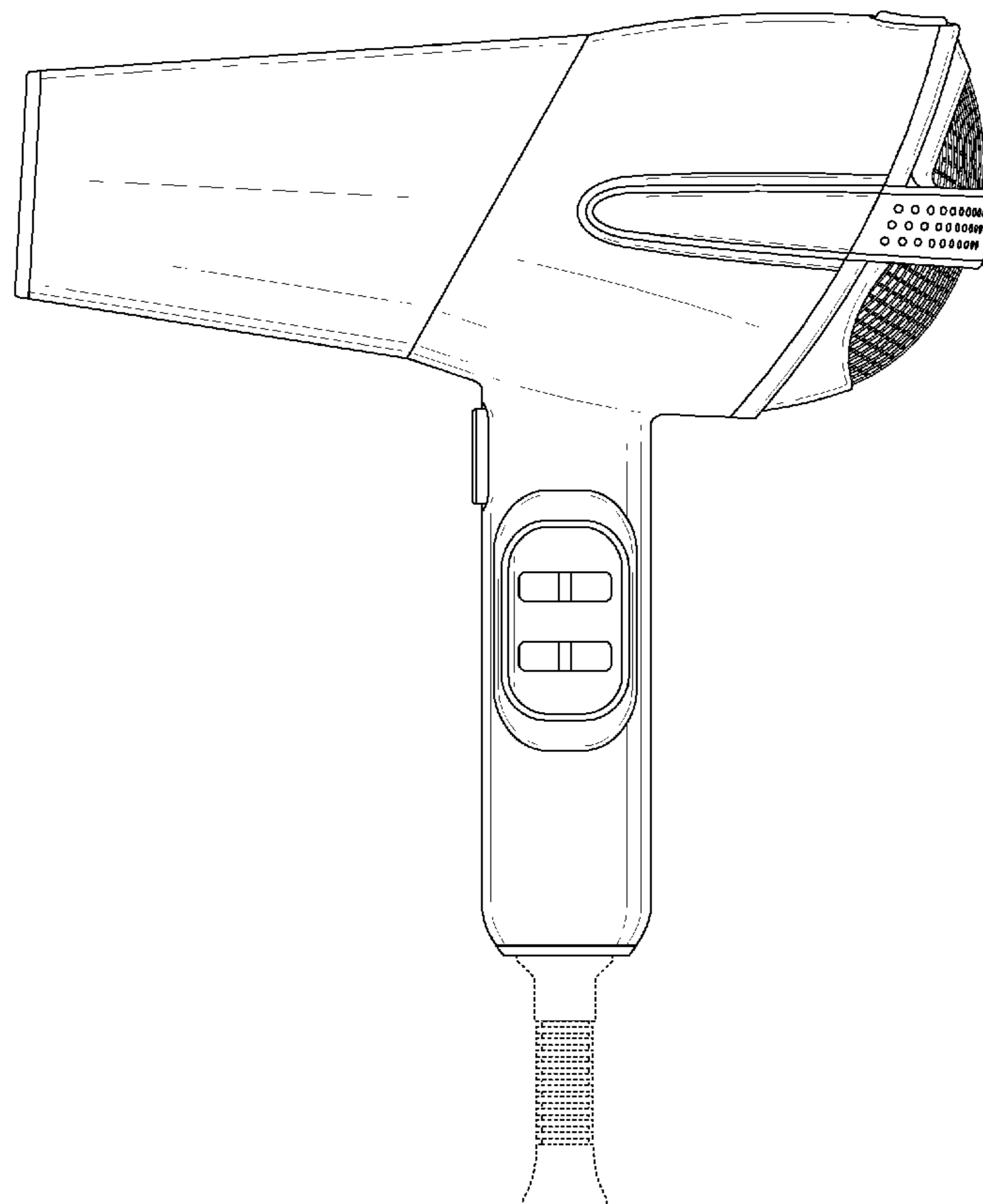
FIG. 5 is a top view thereof;

FIG. 6 is a rear view thereof; and,

FIG. 7 is a bottom view.

The broken lines are shown for illustrative purposes only and form no part of the claimed design.

1 Claim, 7 Drawing Sheets



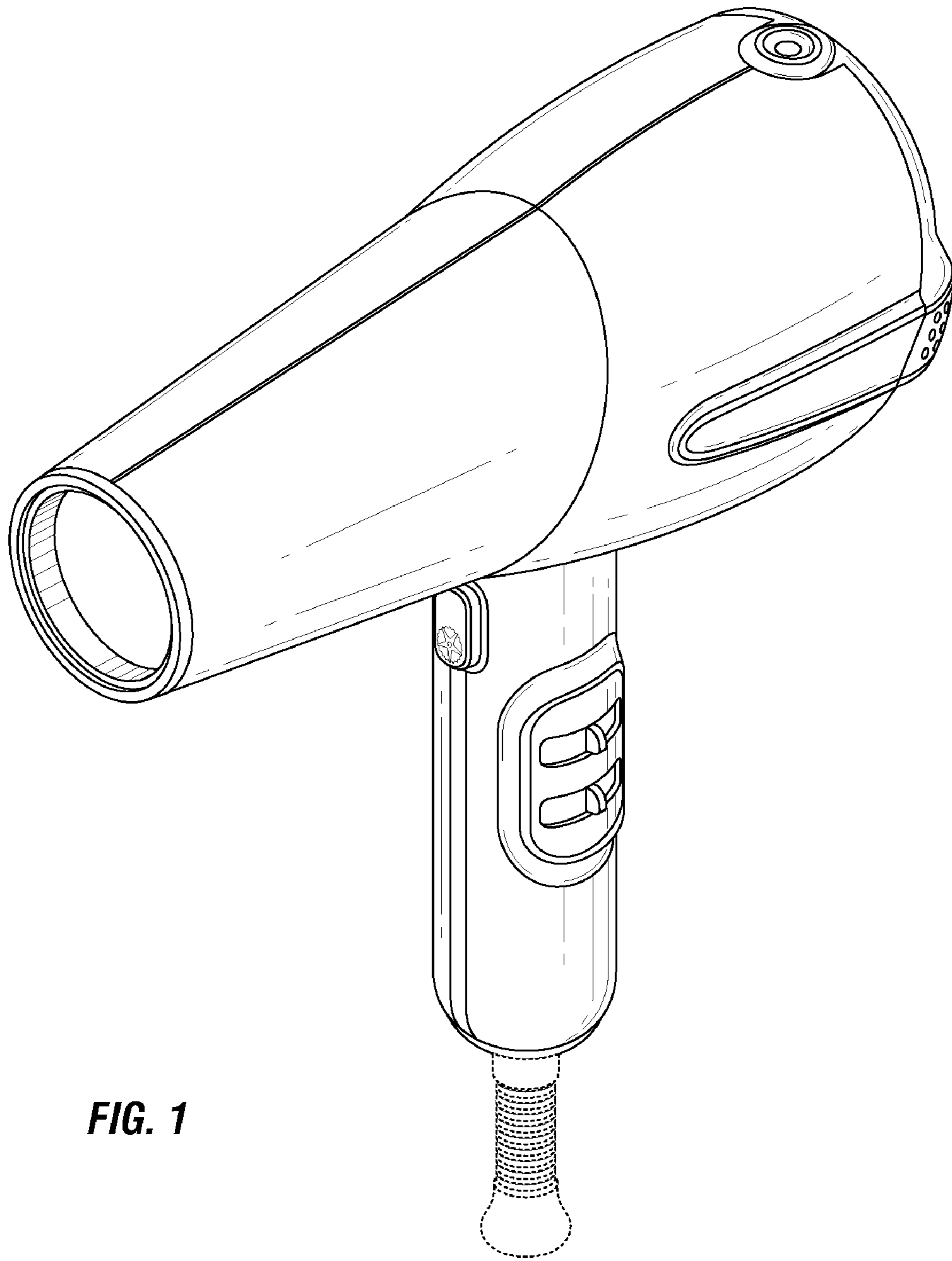


FIG. 1

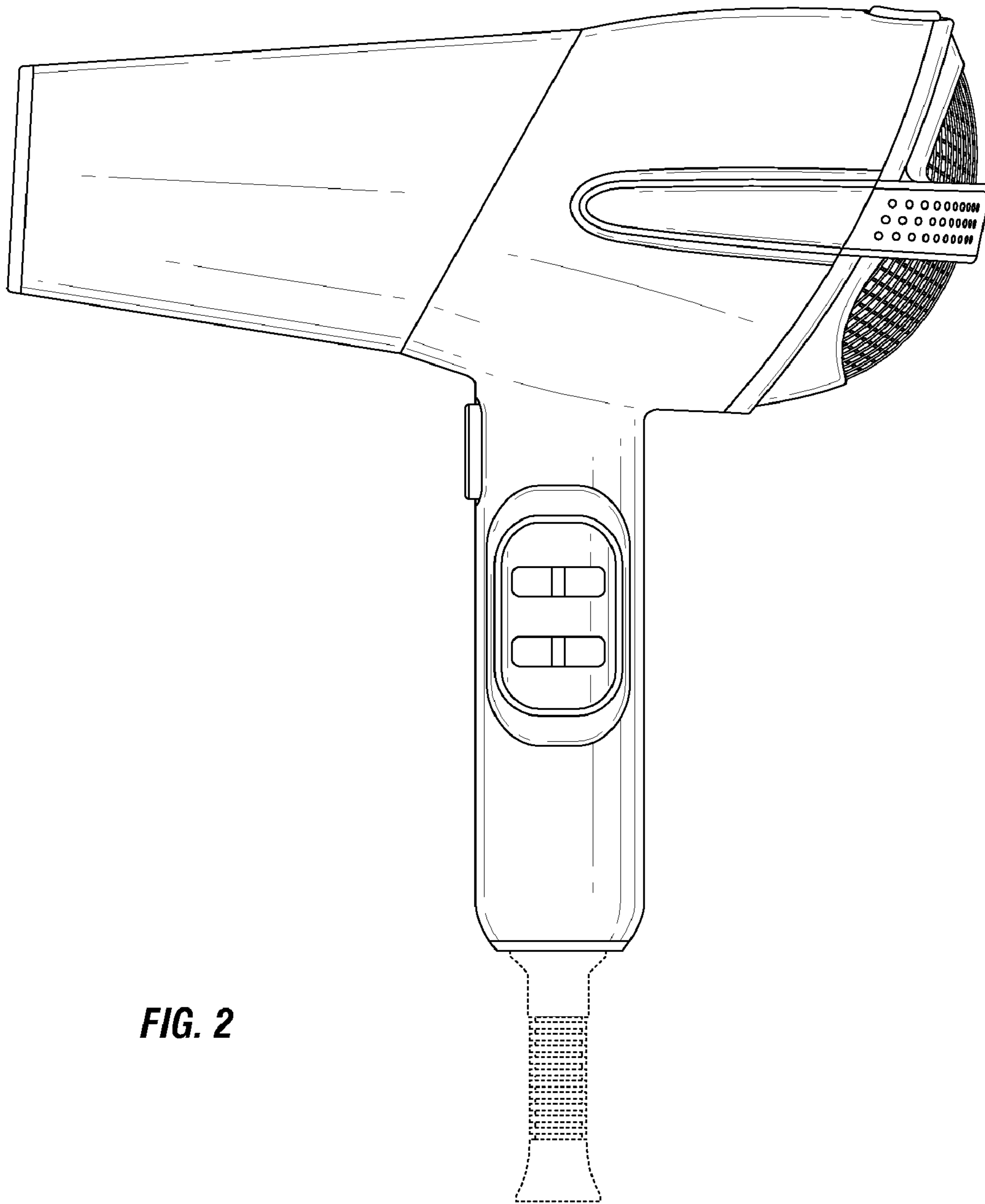


FIG. 2

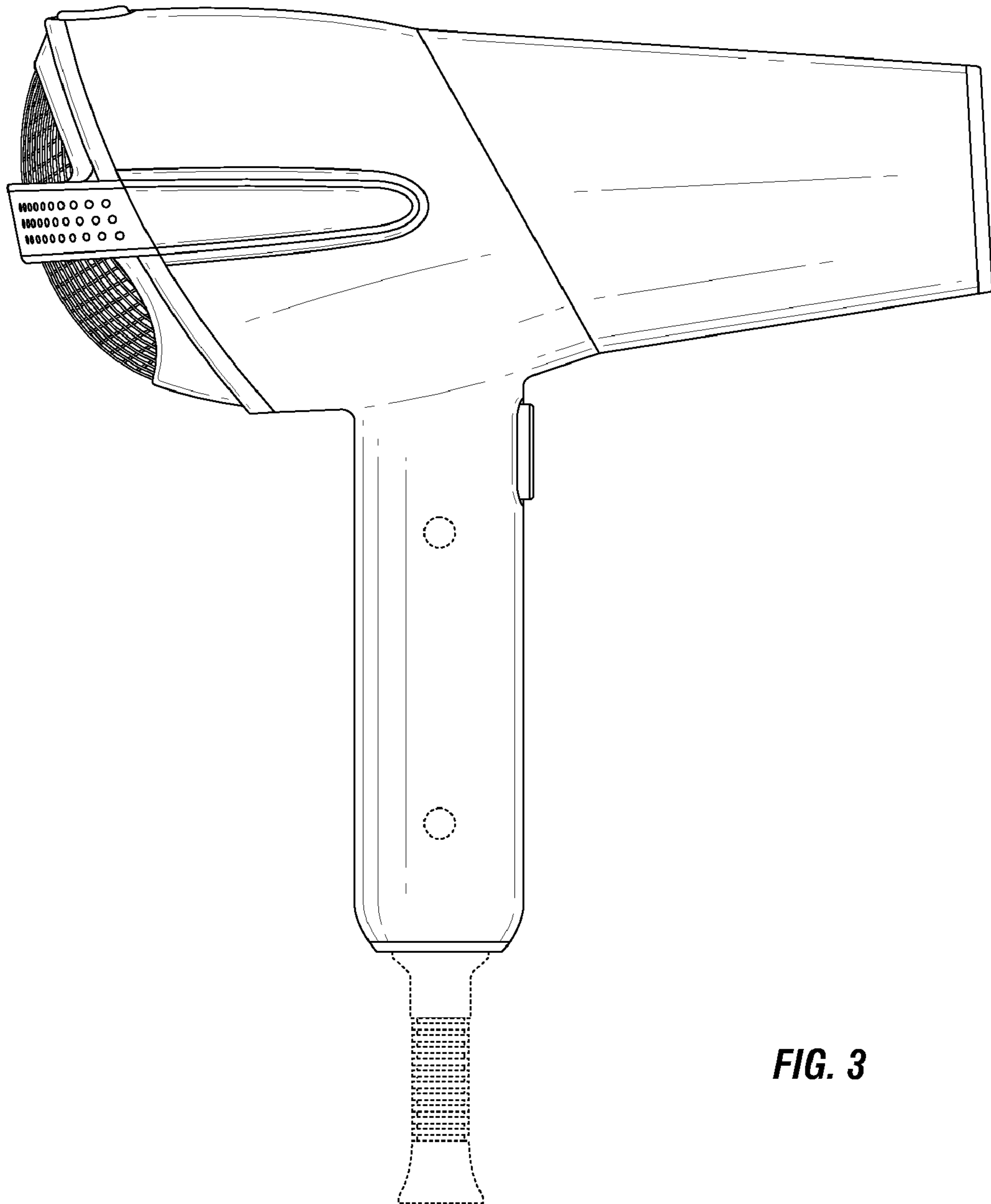


FIG. 3

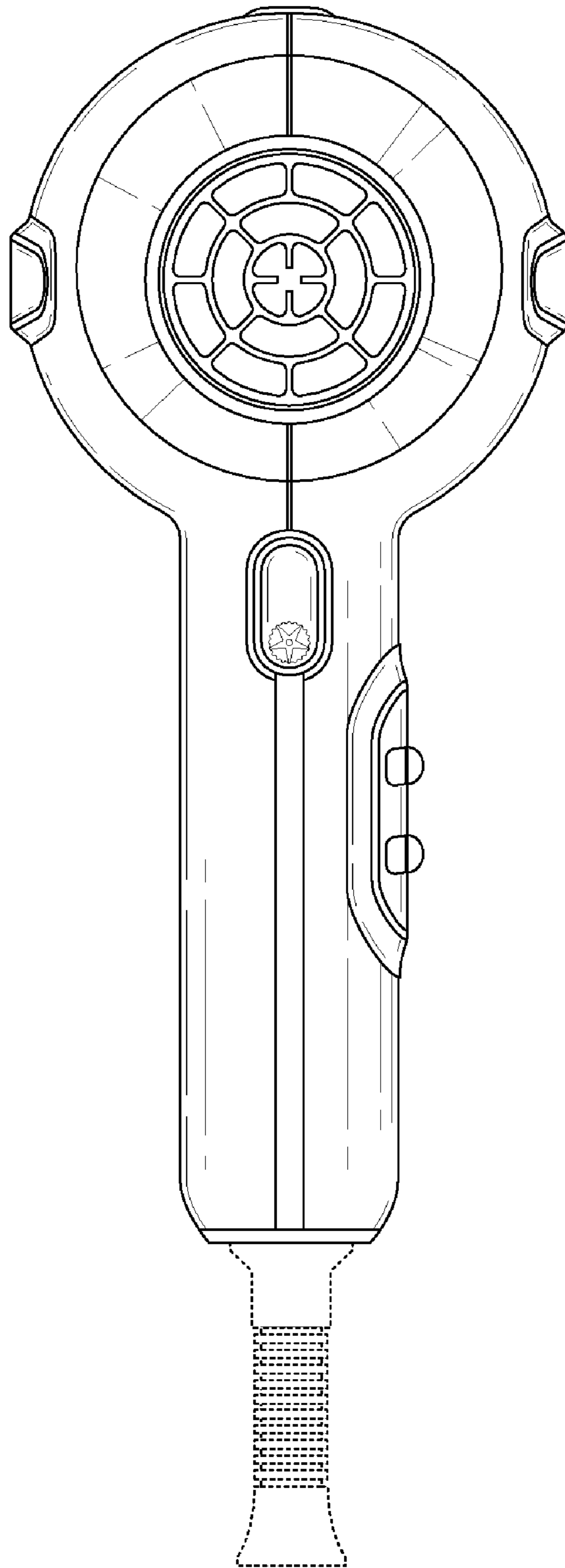


FIG. 4

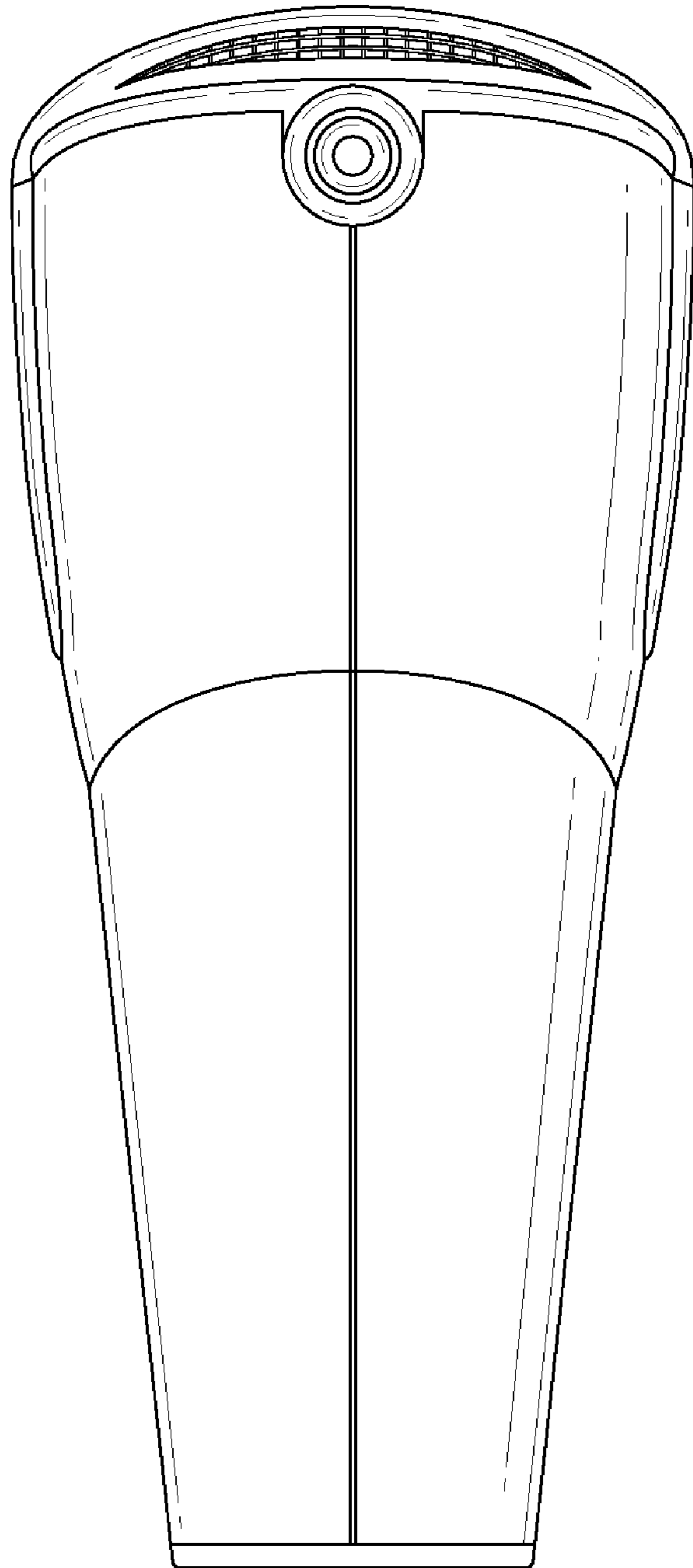


FIG. 5

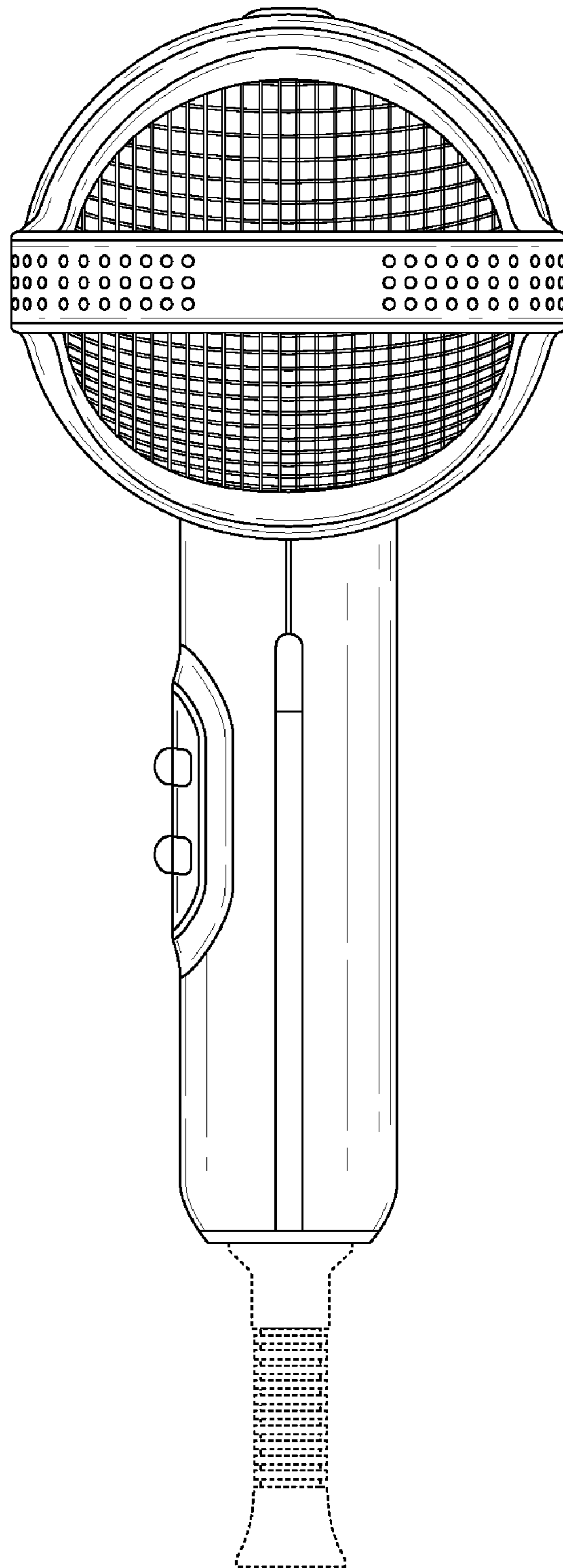


FIG. 6

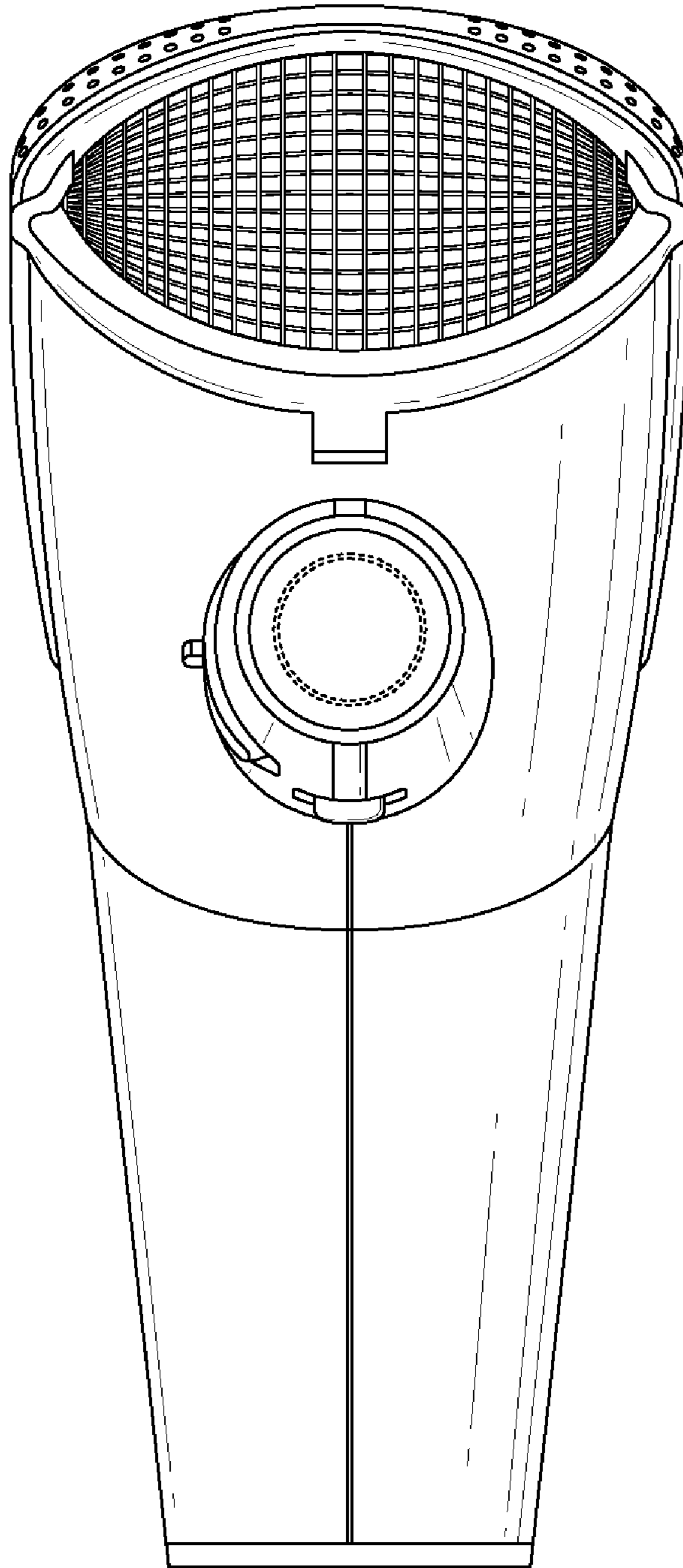


FIG. 7