



US00D580590S

(12) **United States Design Patent**  
**Cytrynowicz**

(10) **Patent No.:** **US D580,590 S**

(45) **Date of Patent:** **\*\* Nov. 11, 2008**

(54) **CRANKSHAFT LAMP FOR DISPLAYING A MODEL CAR**

4,438,646 A \* 3/1984 Saban ..... 73/105

D318,741 S \* 7/1991 Drucker ..... D26/110

D345,024 S \* 3/1994 Fox ..... D26/58

5,778,576 A \* 7/1998 Kaviani ..... 40/409

D500,572 S \* 1/2005 Linder et al. .... D26/93

(76) Inventor: **Daniel Cytrynowicz**, 3828 Clarington Ave., Culver City, CA (US) 90232

(\*\*) Term: **14 Years**

(21) Appl. No.: **29/304,339**

\* cited by examiner

(22) Filed: **Feb. 28, 2008**

*Primary Examiner*—Freda S. Nunn  
*Assistant Examiner*—Kevin K Rudzinski  
(74) *Attorney, Agent, or Firm*—Winstead PC

**Related U.S. Application Data**

(63) Continuation of application No. 11/951,968, filed on Dec. 6, 2007.

(57) **CLAIM**

(51) **LOC (8) Cl.** ..... **26-99**

The ornamental design for crankshaft lamp for displaying a model car, as shown and described.

(52) **U.S. Cl.** ..... **D26/142**

(58) **Field of Classification Search** ..... D26/93,  
D26/94, 110, 51, 107, 105, 97, 103, 138,  
D26/24, 57, 112, 113, 142, 146, 147, 148,  
D26/149, 153; 362/287, 153, 181, 217, 257,  
362/382, 395, 410, 412, 441, 414, 416, 431;  
D14/217, 253

**DESCRIPTION**

See application file for complete search history.

FIG. 1 is a perspective view of the crankshaft lamp for displaying a model car therein; and,

FIG. 2 is a side view of the crankshaft lamp for displaying a model car therein.

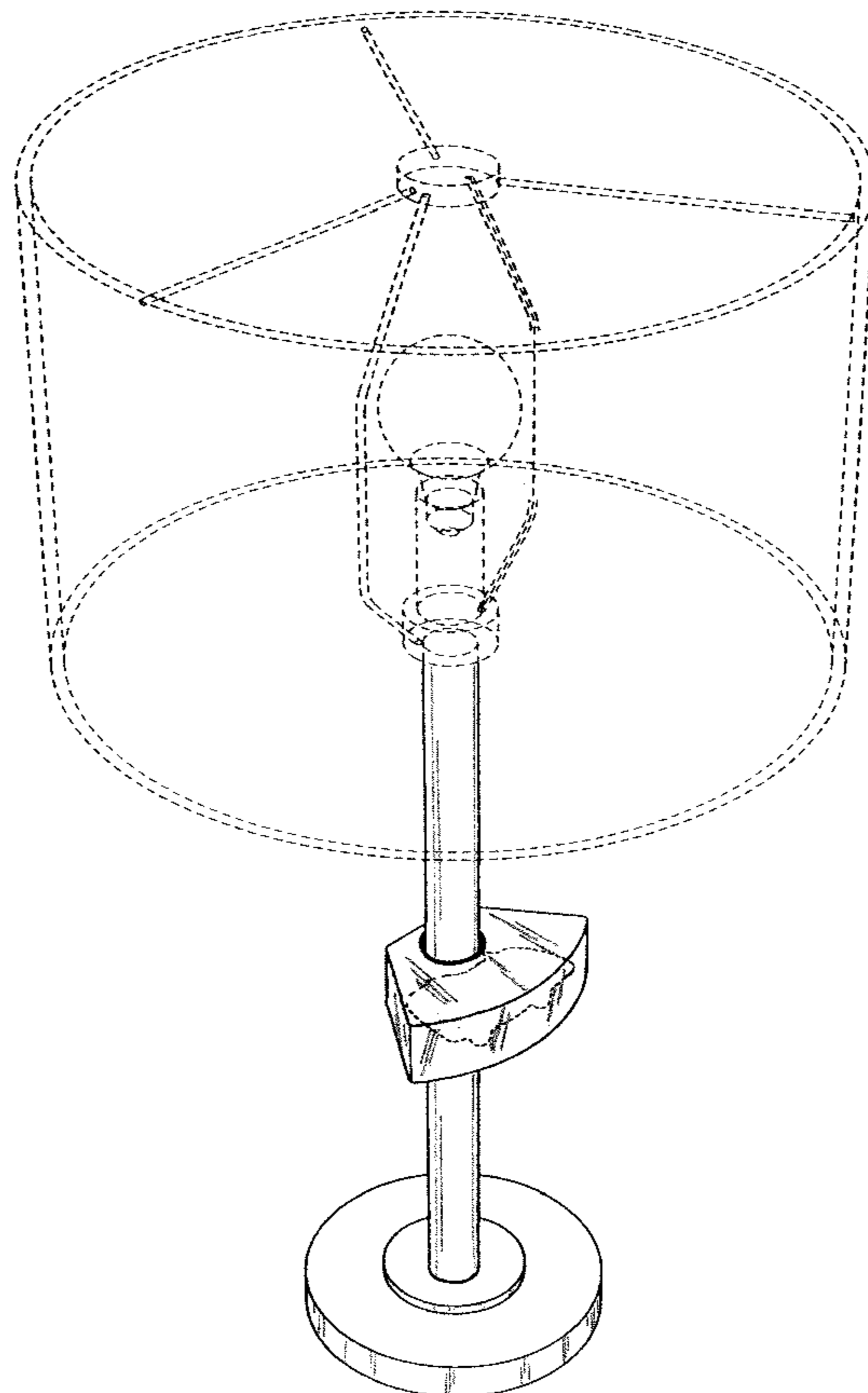
(56) **References Cited**

The portion of the drawings shown with dashed lines do not form a part of the claimed design.

**U.S. PATENT DOCUMENTS**

D270,484 S \* 9/1983 White ..... D26/94

**1 Claim, 2 Drawing Sheets**



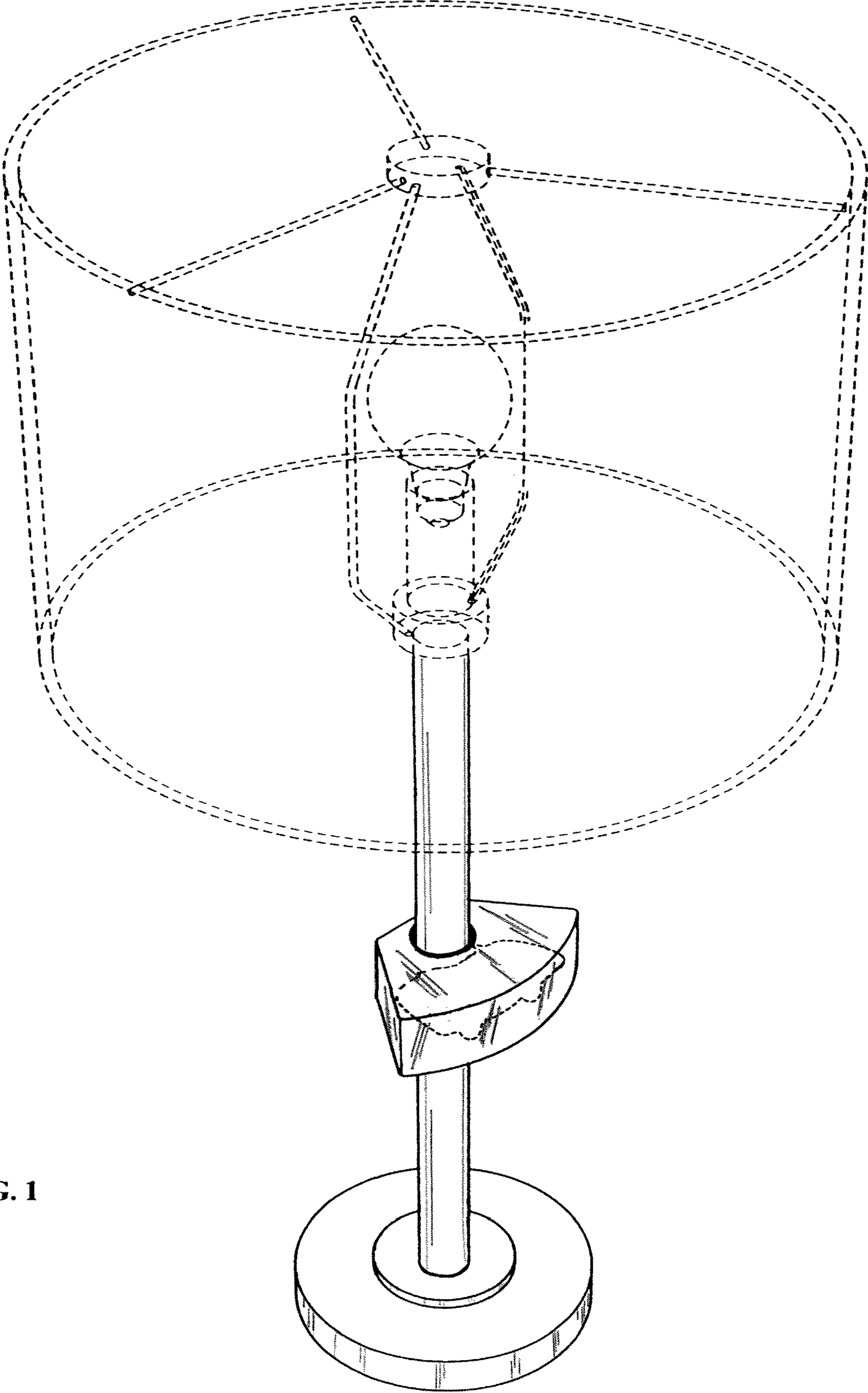


FIG. 1

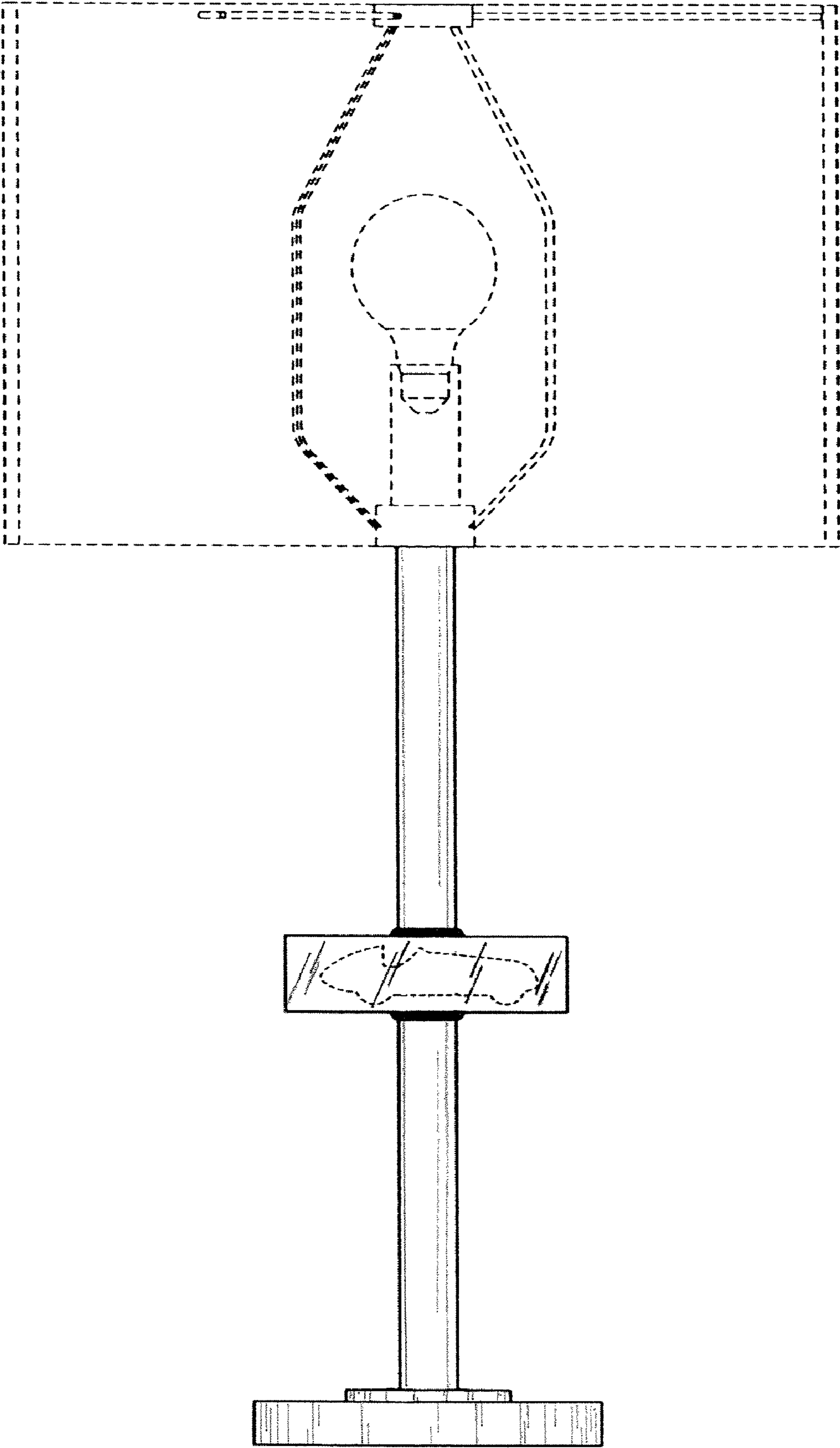


FIG. 2