



US00D580588S

(12) **United States Design Patent**  
**Lemelson**

(10) **Patent No.:** **US D580,588 S**

(45) **Date of Patent:** **\*\* Nov. 11, 2008**

(54) **INTEGRATED LIGHT HEAD**

(75) Inventor: **Greg M. Lemelson**, Southborough, MA (US)

(73) Assignee: **Floga Holdings LLC**, Southborough, MA (US)

(\*\*) Term: **14 Years**

(21) Appl. No.: **29/250,722**

(22) Filed: **Nov. 29, 2006**

**Related U.S. Application Data**

(63) Continuation of application No. 11/564,108, filed on Nov. 28, 2006.

(51) **LOC (8) Cl.** ..... **26-99**

(52) **U.S. Cl.** ..... **D26/138**

(58) **Field of Classification Search** ..... D26/72, D26/63, 85, 28, 124, 118, 65, 60, 40, 41, D26/42, 80, 87, 68, 67, 37, 49, 74, 77, 86, D26/88, 89, 93, 103, 104, 105, 113, 114, D26/119, 122, 123, 128, 138, 142, 143, 152; 362/365, 96, 147, 151, 153, 217, 643, 654, 362/257, 290, 296, 297, 301, 302, 309, 317, 362/341, 342, 343, 347, 348, 349, 362, 364, 362/395, 404, 405, 410, 441; 126/258

See application file for complete search history.

(56) **References Cited**

**U.S. PATENT DOCUMENTS**

3,511,981 A 5/1970 Haraden et al.  
D224,038 S \* 6/1972 Adra ..... D26/63

(Continued)

**FOREIGN PATENT DOCUMENTS**

EP 01441952/EP B1 6/2006  
EP 01683720/EP A2 7/2006

**OTHER PUBLICATIONS**

“DPN-56 ProfileElite™ Strip Softbox with Universal Connector by DynaPhos” Amvona.com (Mansfield, Massachusetts); [http://www.amvona.com/v7/shop/?page=shop/flypage&product\\_id=2718](http://www.amvona.com/v7/shop/?page=shop/flypage&product_id=2718) (downloaded Dec. 14, 2006).

(Continued)

*Primary Examiner*—Freda S. Nunn

*Assistant Examiner*—Kevin K Rudzinski

(74) *Attorney, Agent, or Firm*—Antoinette G Giugliano PC

(57) **CLAIM**

The ornamental design for an integrated light head, as shown and described.

**DESCRIPTION**

FIG. 1 is a perspective view showing the front of the integrated light head of the present invention.

FIG. 2 is a side view of the integrated light head.

FIG. 3 is a front view of the integrated light head.

FIG. 4 is bottom plan view of the integrated light head.

FIG. 5 is a back view of the integrated light head.

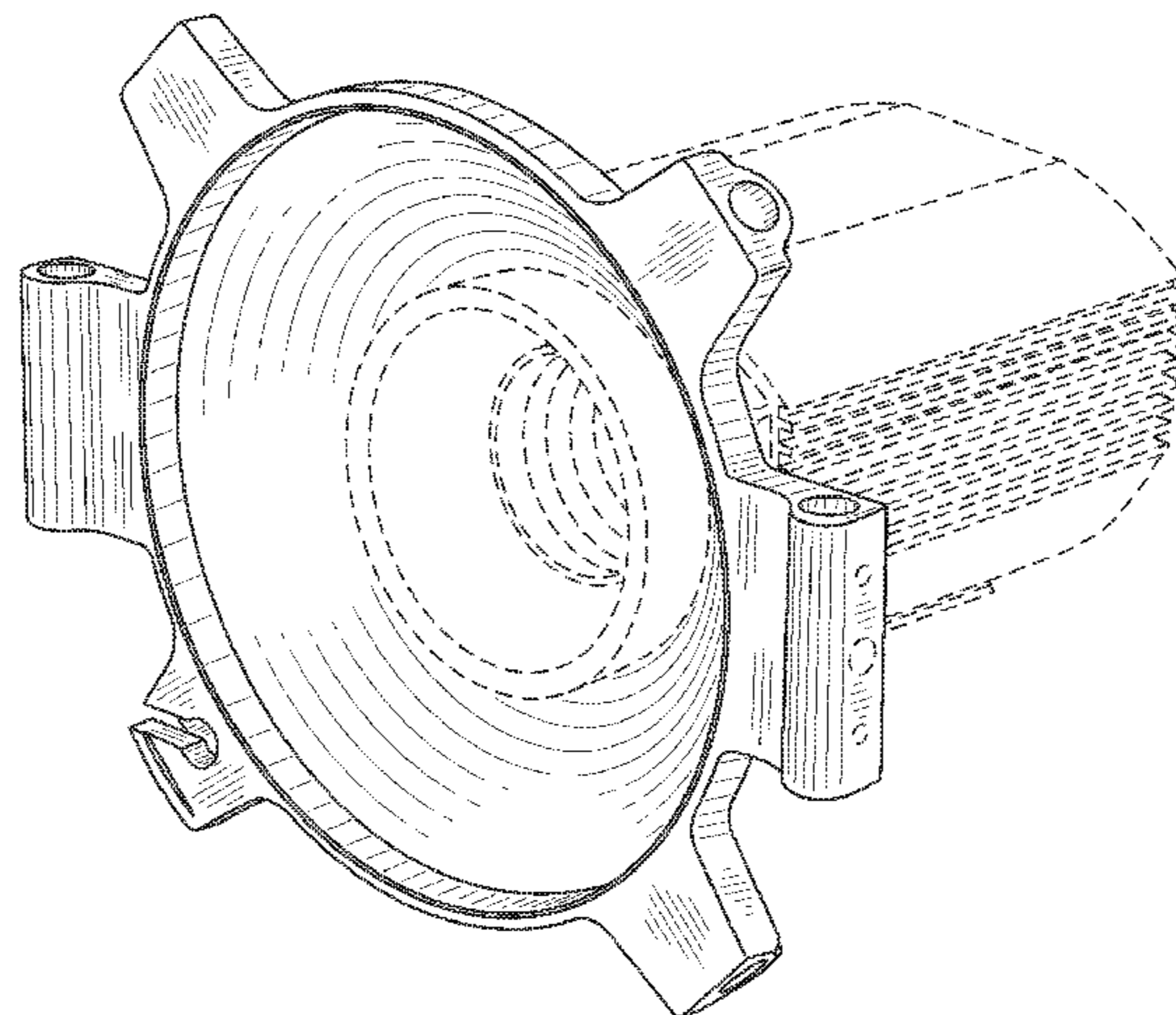
FIG. 6 is a top plan view of the integrated light head; and,

FIG. 7 is another side view of the integrated light head.

The broken lines shown are included for the purpose of illustrating environmental structure and form no part of the claimed design.

The present invention involves an ornamental design of a light head that combines softbox connectors with a parabolic head. In particular, the light head has a parabolic head integrated with softbox connectors used for connecting, e.g., a standard rectangular softbox, a strip softbox or an octagonal softbox. The parabolic head is partially formed from a concave or bowl-like shape base, and has an opening for receiving the bulb socket of a power source. Softbox connectors are integrated and placed on the outside edge or circumference of the parabolic head. The connectors are protrusions having a recess, on one or more faces of the protrusion, for receiving ends of a softbox frame member. The shape of a connector complements the frame member used to secure the photographic accessory. The integration of the connectors and parabolic head provides a unique ornamental light head design.

**1 Claim, 4 Drawing Sheets**



# US D580,588 S

Page 2

## U.S. PATENT DOCUMENTS

3,684,371 A 8/1972 Weisglass  
4,019,042 A 4/1977 Baliozian  
4,432,636 A 2/1984 Tarsia  
D291,835 S \* 9/1987 Michael ..... D26/24  
D316,310 S \* 4/1991 Stromberg ..... D26/131  
5,072,349 A \* 12/1991 Waniga ..... 362/238  
5,139,220 A 8/1992 Leonian  
5,365,306 A 11/1994 Delueg  
5,497,295 A 3/1996 Gehly  
5,530,627 A 6/1996 Morgan  
5,651,609 A \* 7/1997 Pelton et al. .... 362/294  
D435,923 S \* 1/2001 Hiller et al. .... D26/63

D452,029 S \* 12/2001 Chen ..... D26/72  
6,577,378 B1 6/2003 Gallagher  
6,962,423 B2 11/2005 Hamilton  
2005/0063189 A1 3/2005 Ossolinski  
2005/0286254 A1 \* 12/2005 Richardson et al. .... 362/388

## OTHER PUBLICATIONS

“Dyna-lite Parabolic Reflector 10"/50 Deg” Amazon.com  
(Seattle, Washington); <http://www.amazon.com/exec/obidos/ASIN/B000B73ORS/dealtime-photo-20/ref=nosim>  
(downloaded Dec. 14, 2006).

\* cited by examiner

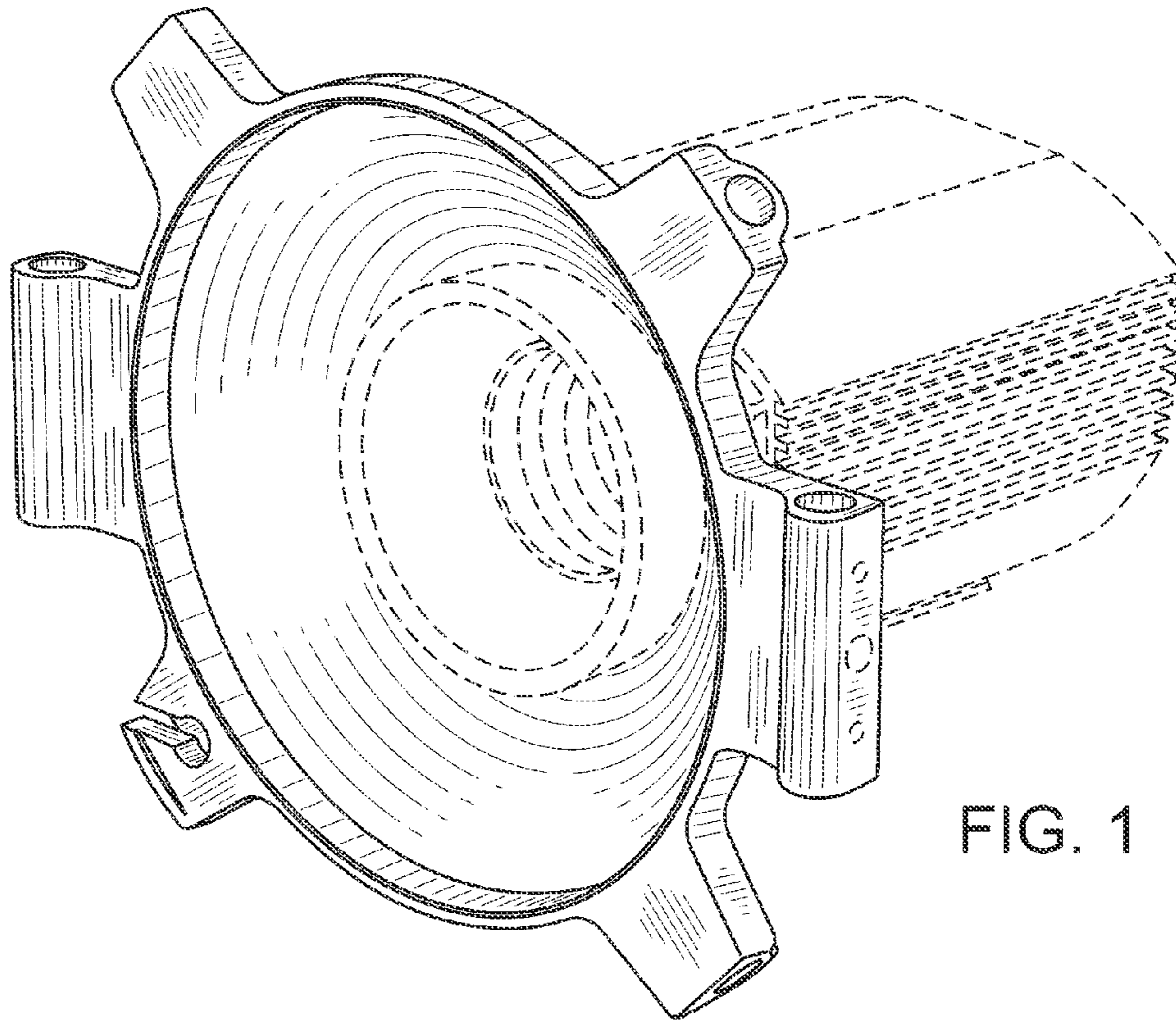


FIG. 1

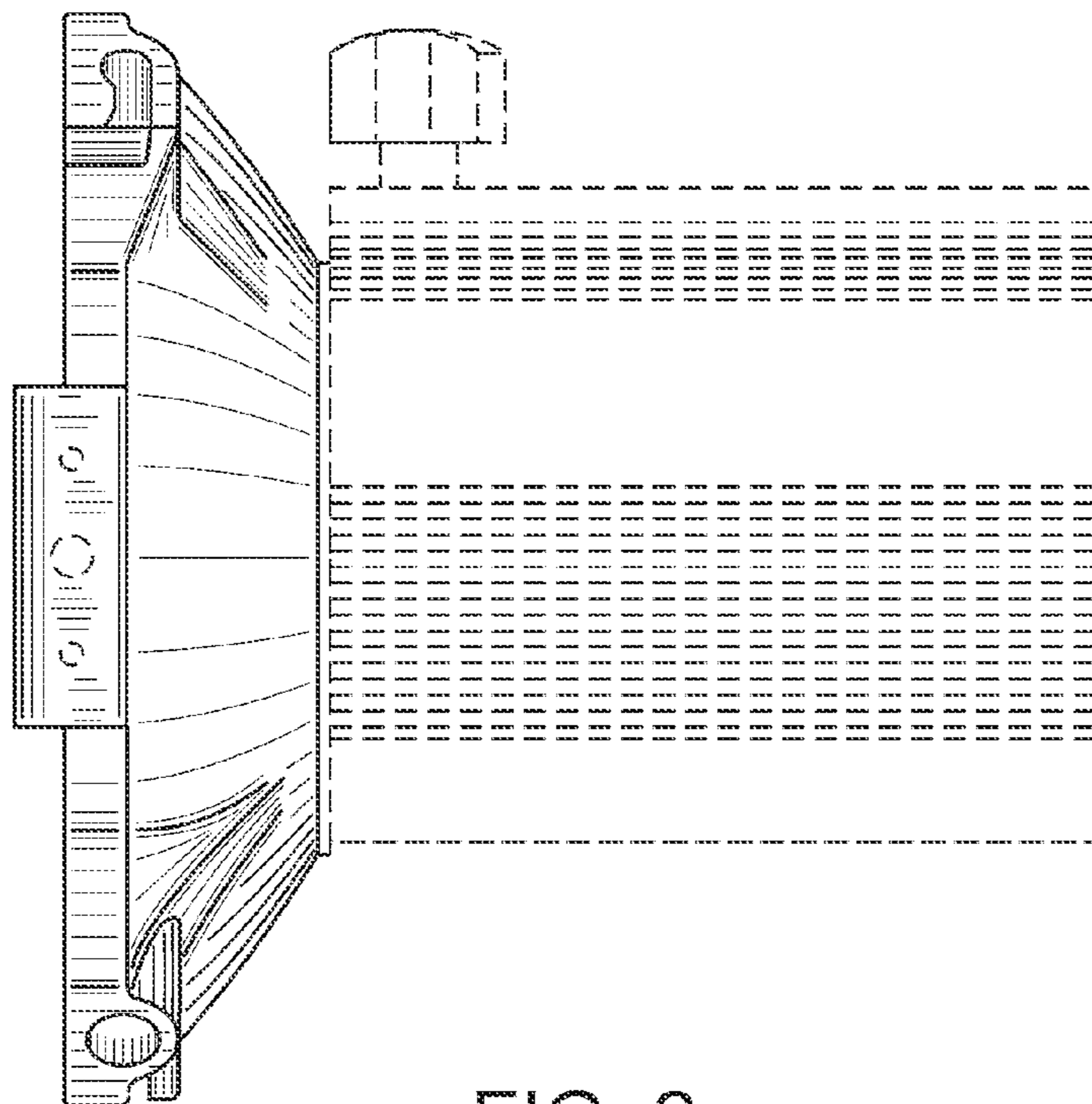


FIG. 2

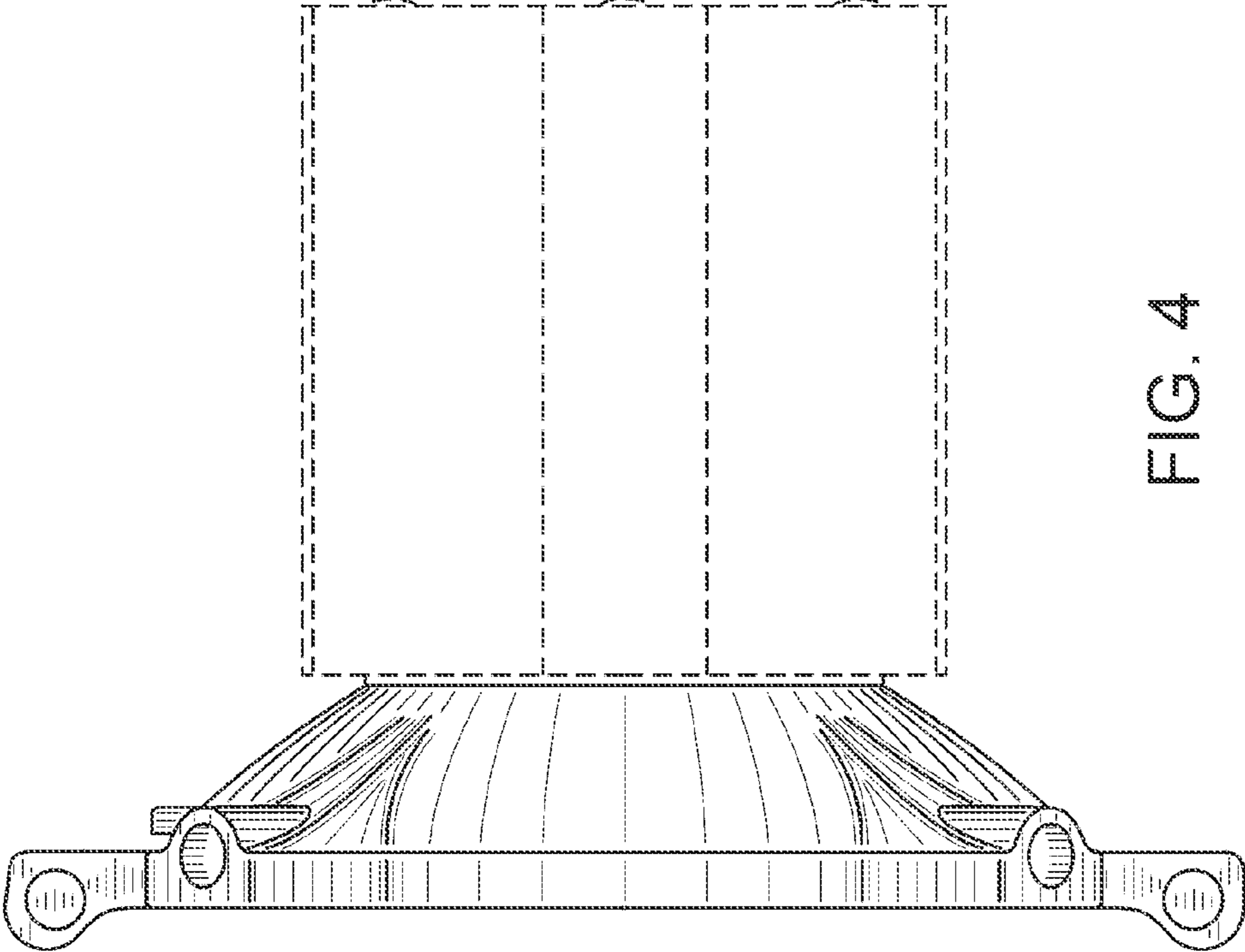


FIG. 4

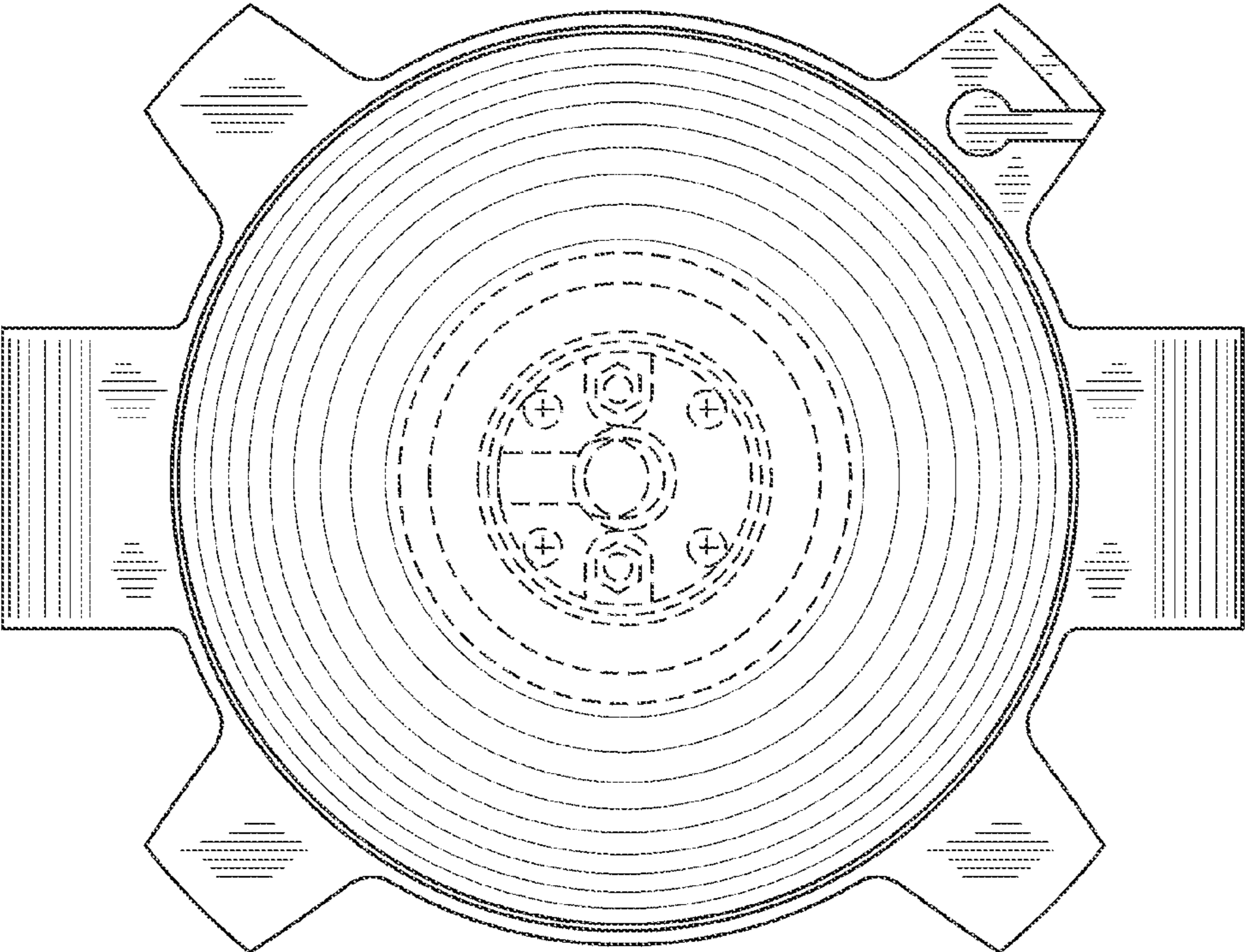


FIG. 3

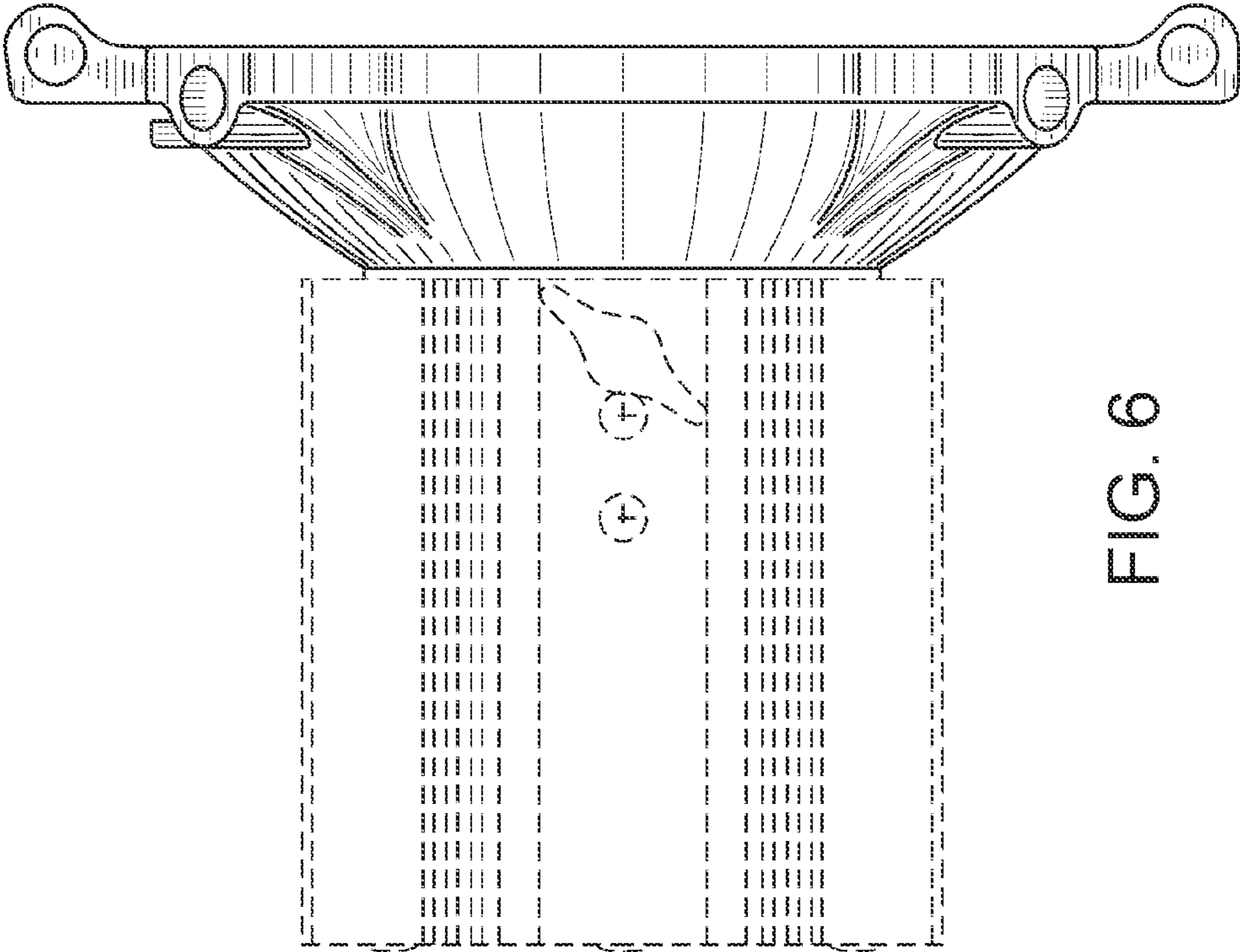


FIG. 6

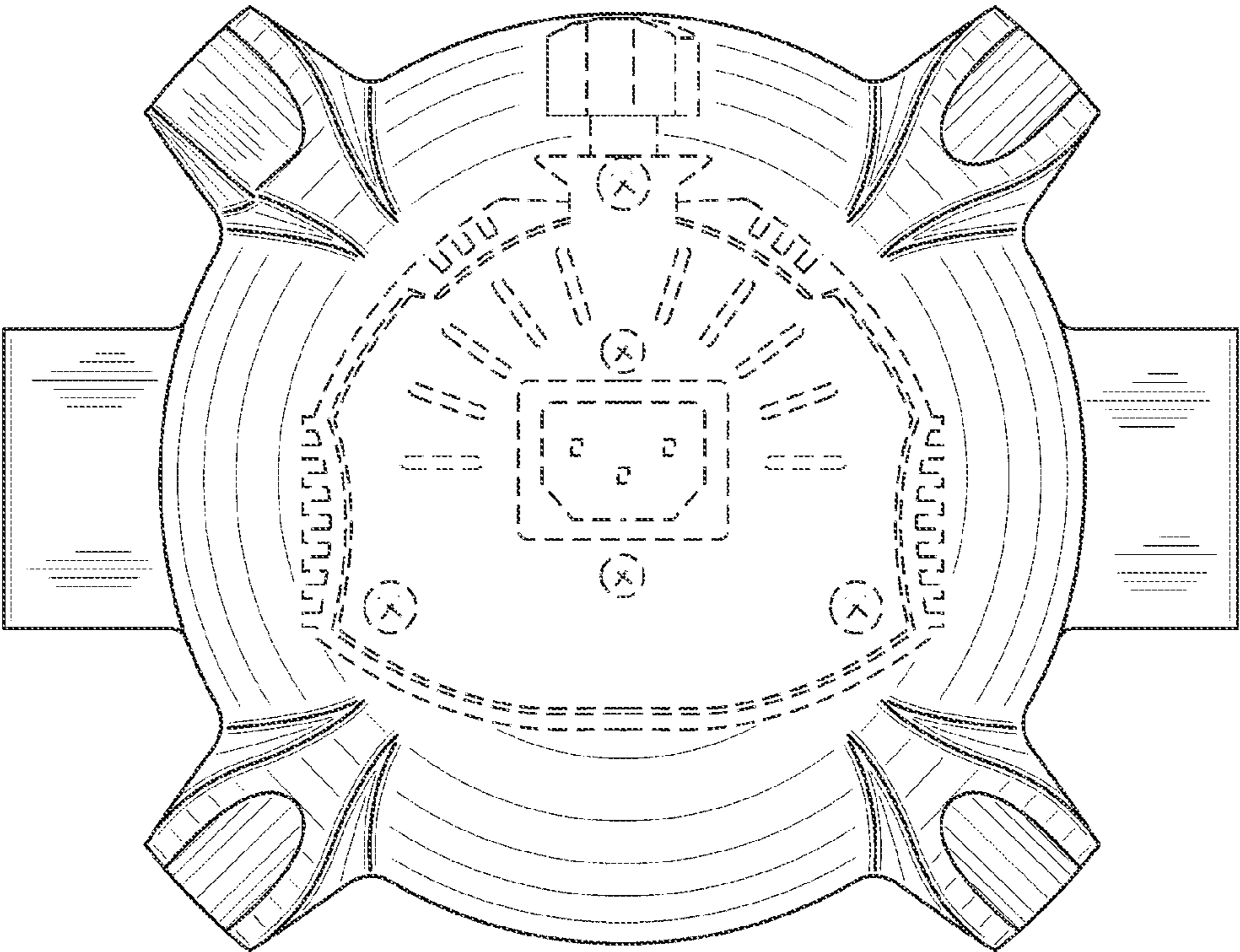


FIG. 5

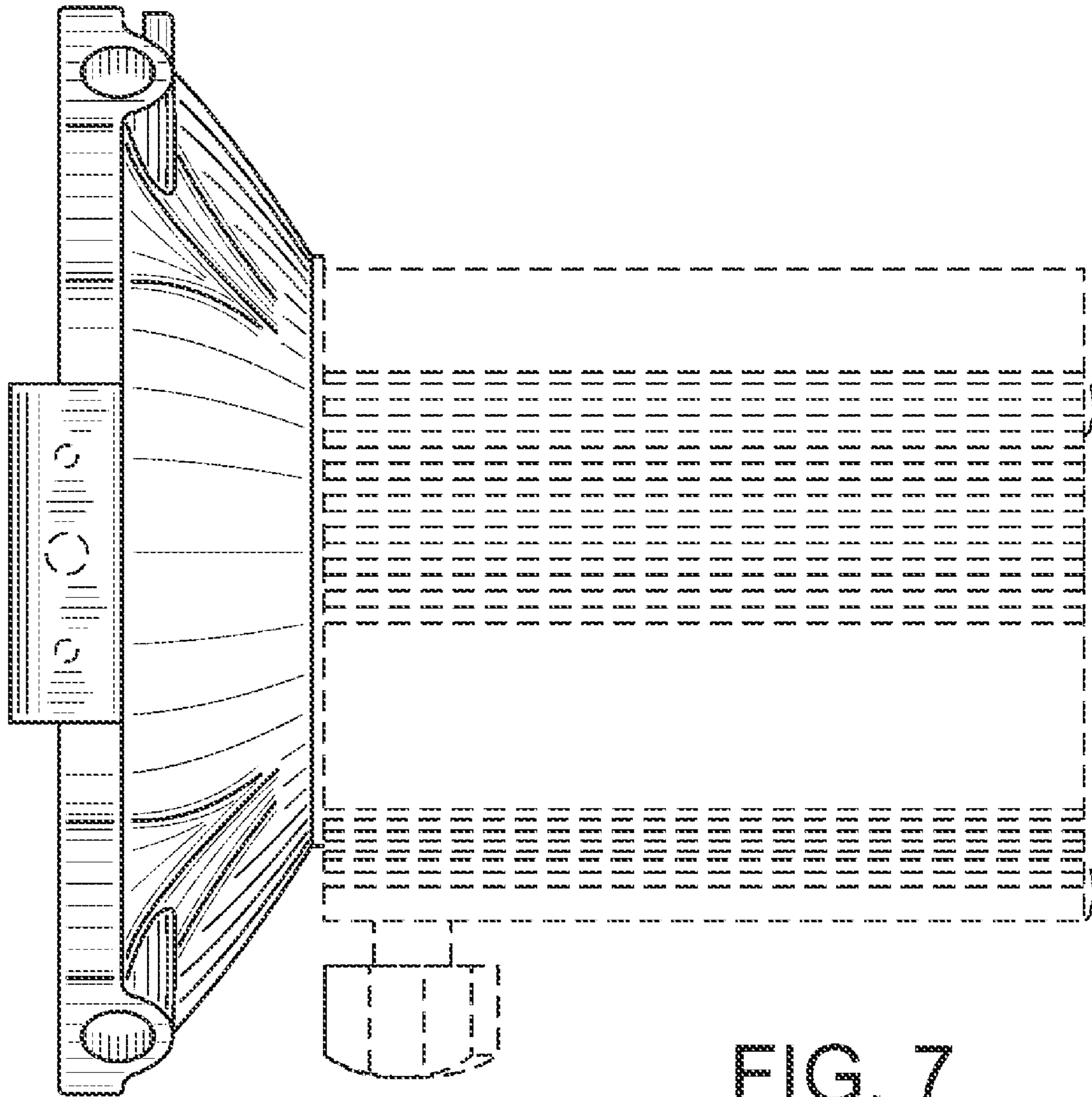


FIG. 7