



US00D580587S

(12) **United States Design Patent**  
**Yando**

(10) **Patent No.:** **US D580,587 S**

(45) **Date of Patent:** **\*\* Nov. 11, 2008**

(54) **LAMP**

D464,763 S \* 10/2002 Hsu ..... D26/108  
D544,135 S \* 6/2007 Ke ..... D26/106

(75) Inventor: **Roslyn Yando**, Brainardsville, NY (US)

\* cited by examiner

(73) Assignee: **Schonbek Worldwide Lighting, Inc.**,  
Plattsburgh, NY (US)

*Primary Examiner*—Brian N Vinson

(74) *Attorney, Agent, or Firm*—Heslin Rothenberg Farley &  
Mesiti P.C.

(\*\*) Term: **14 Years**

(57) **CLAIM**

(21) Appl. No.: **29/302,464**

The ornamental design for a lamp, as shown and described.

(22) Filed: **Jan. 17, 2008**

**DESCRIPTION**

(51) **LOC (8) Cl.** ..... **26-03**

This application is related to commonly assigned, concurrently filed application Ser. No. 29/302,466.

(52) **U.S. Cl.** ..... **D26/106**

(58) **Field of Classification Search** ..... D26/24,  
D26/93, 106, 108, 155; D11/131, 143, 152;  
362/122, 154, 255, 257, 317, 362, 382, 457,  
362/458, 806, 808

FIG. 1 is an isometric view of the lamp of the present design  
FIG. 2 is a front elevation view thereof, the rear elevation view  
being identical thereto;

See application file for complete search history.

FIG. 3 is a right side elevation view thereof, the left side  
elevation view being identical thereto; and,

(56) **References Cited**

FIG. 4 is a top plan view thereof.

**U.S. PATENT DOCUMENTS**

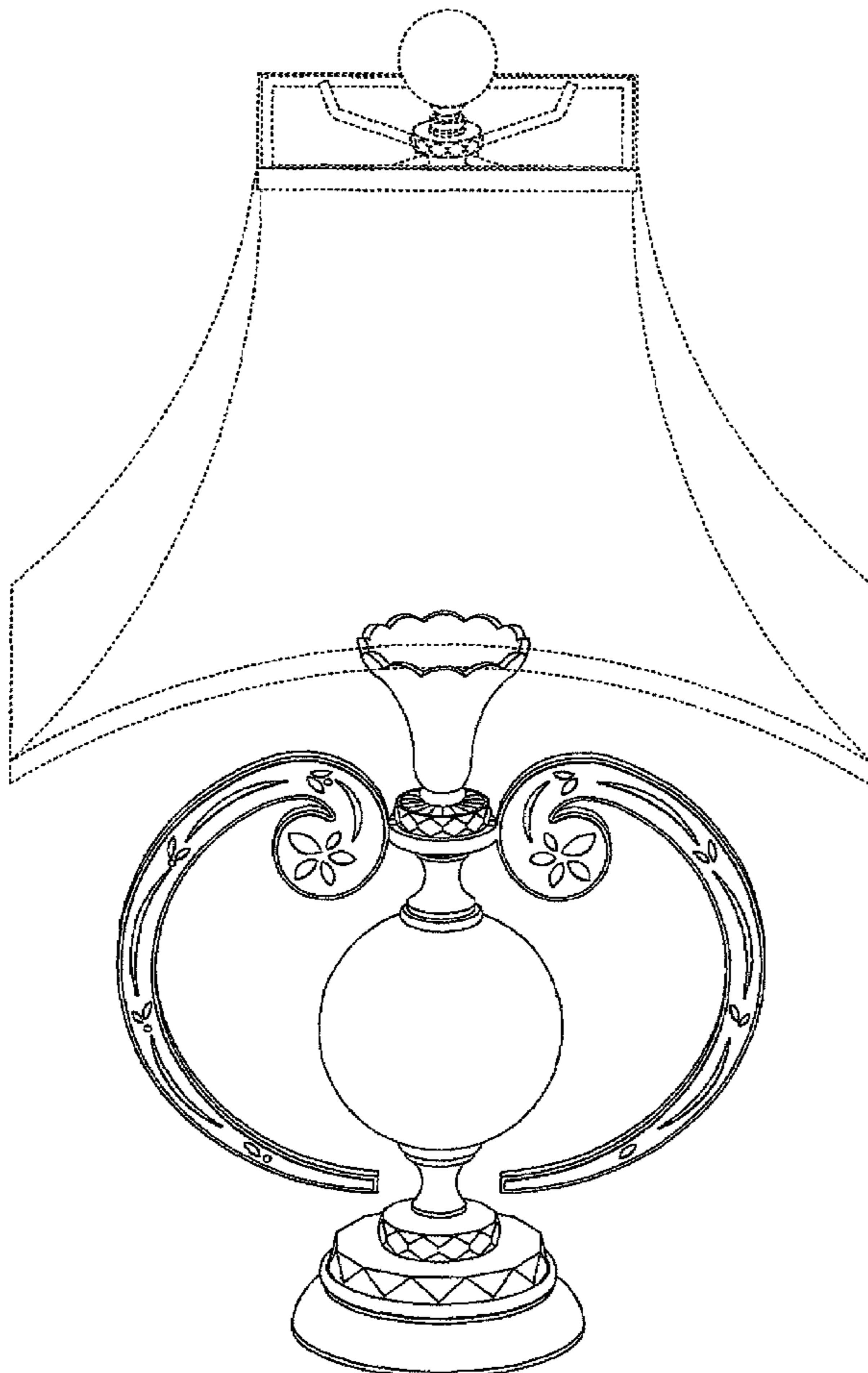
The broken line shown is for illustrative purposes only and  
forms no part of the claimed invention.

D447,594 S \* 9/2001 Orozco ..... D26/106

D451,233 S \* 11/2001 Dolan ..... D26/106

D464,165 S \* 10/2002 Hsu ..... D26/108

**1 Claim, 4 Drawing Sheets**



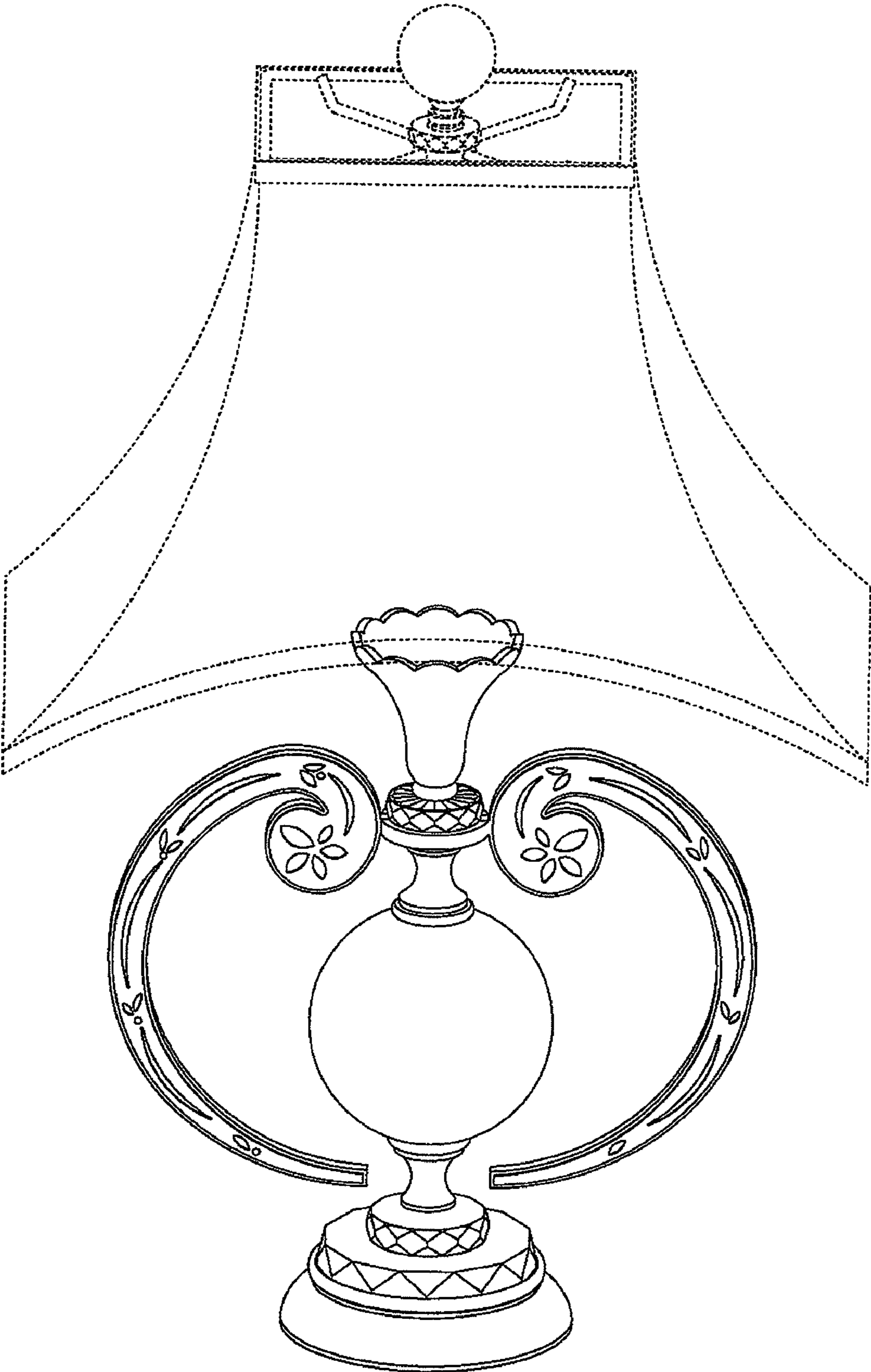


FIG. 1

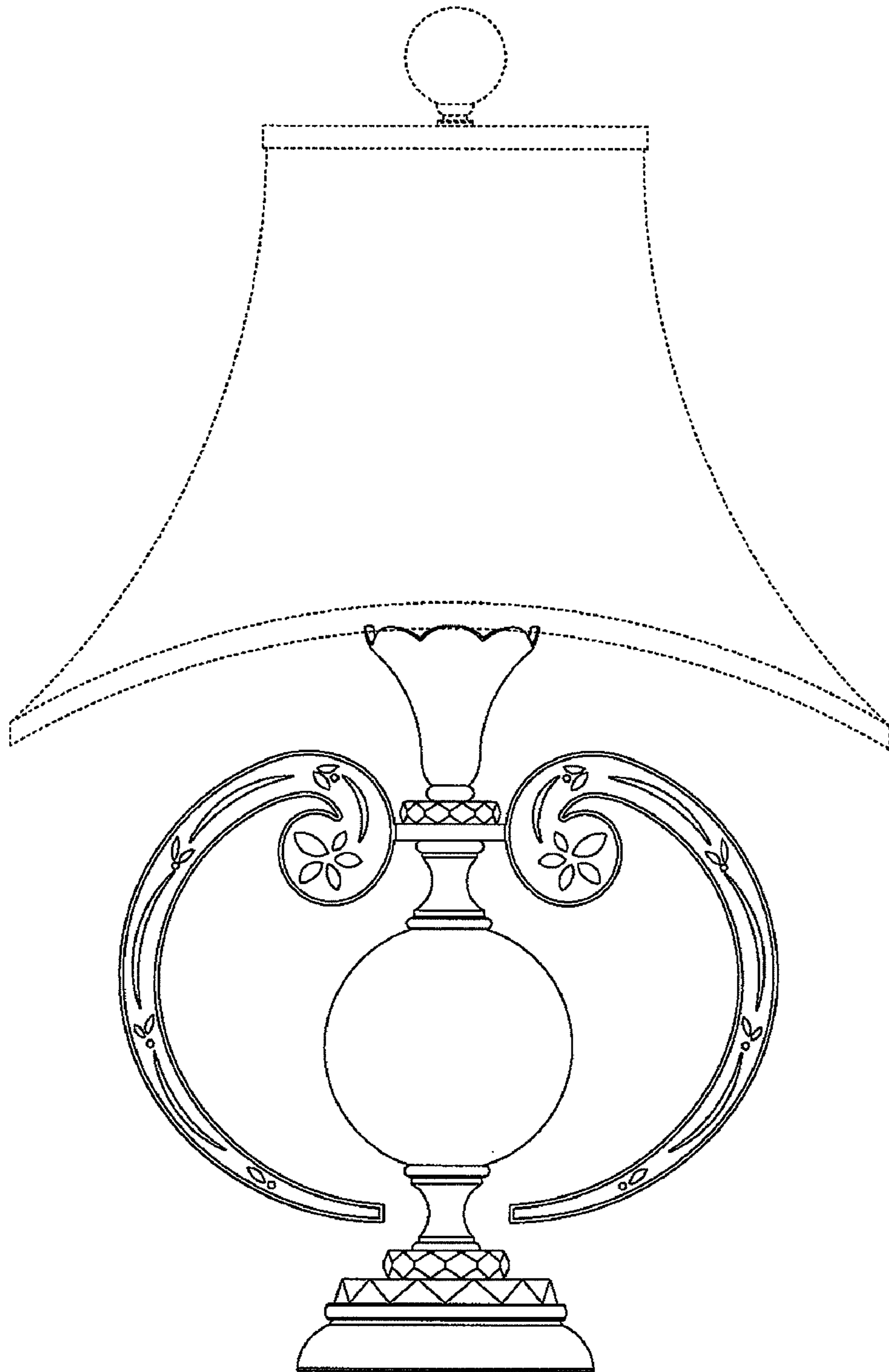


FIG. 2

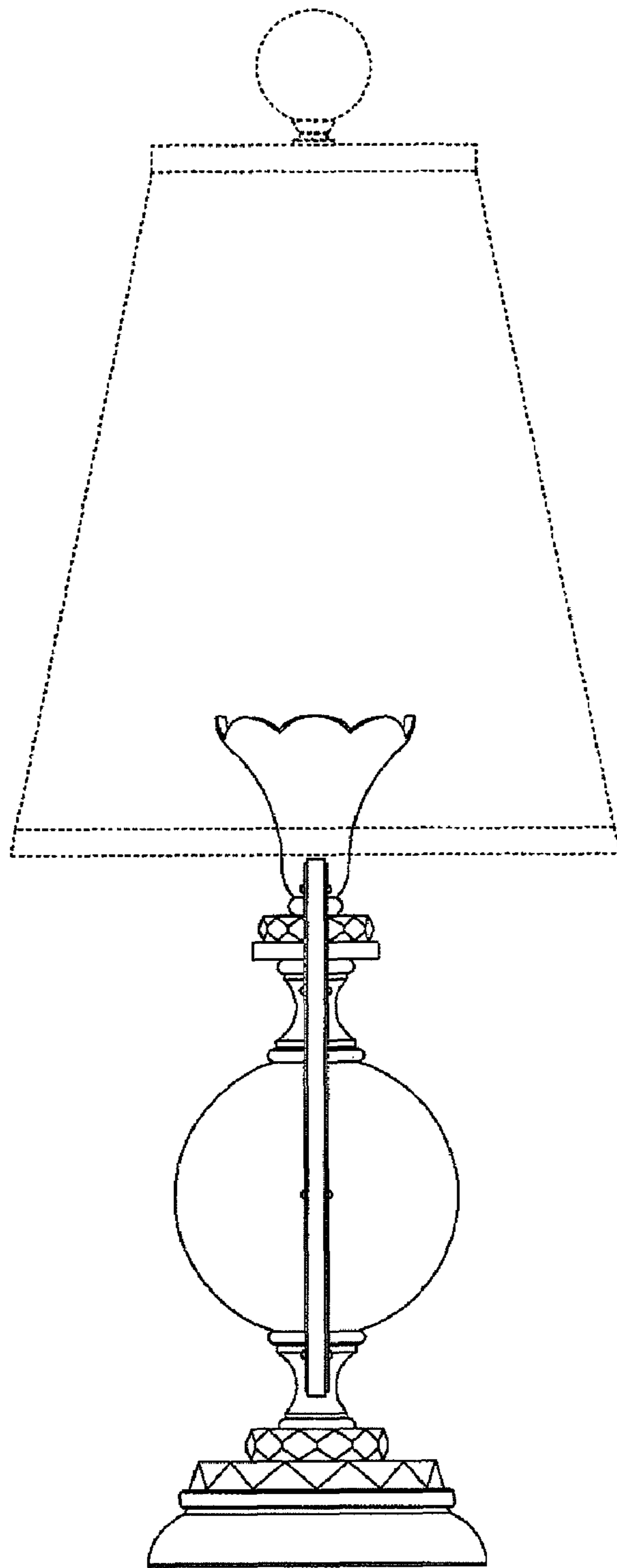


FIG. 3

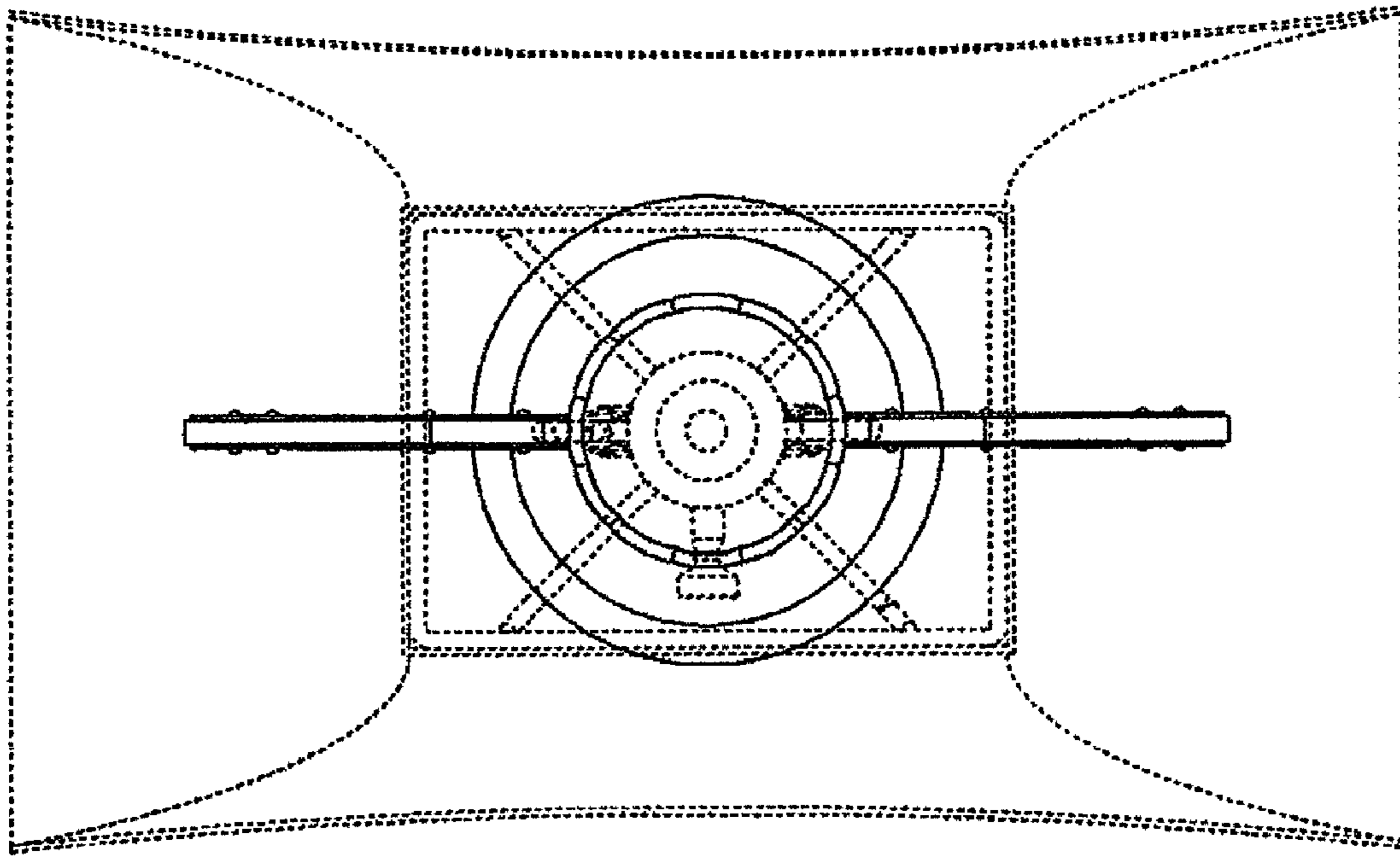


FIG. 4