



US00D580586S

(12) **United States Design Patent**
Zhou et al.

(10) **Patent No.:** **US D580,586 S**

(45) **Date of Patent:** **** Nov. 11, 2008**

(54) **LED LAMP**

(75) Inventors: **Qin-Fei Zhou**, Shenzhen (CN);
Xin-Jian Xiao, Shenzhen (CN); **Ye-Ke Xie**, Shenzhen (CN); **Shih-Hsun Wung**, Taipei Hsien (TW); **Yong-Dong Chen**, Shenzhen (CN)

(73) Assignee: **Foxconn Technology Co., Ltd.**, Tu-Cheng, Taipei Hsien (TW)

(**) Term: **14 Years**

(21) Appl. No.: **29/317,308**

(22) Filed: **Apr. 26, 2008**

(51) **LOC (8) Cl.** **26-03**

(52) **U.S. Cl.** **D26/92; D26/71**

(58) **Field of Classification Search** D26/67-71,
D26/85, 87, 92; 362/147, 152, 183, 414,
362/431, 545

See application file for complete search history.

(56) **References Cited**

U.S. PATENT DOCUMENTS

1,034,211 A * 7/1912 De Palma 362/431
D75,431 S * 6/1928 Kaplan et al. D26/87
D275,969 S * 10/1984 Bowers D26/67

D299,762 S * 2/1989 King et al. D26/87
D308,260 S * 5/1990 Shemitz D26/85
D308,261 S * 5/1990 Shemitz D26/87
D329,920 S * 9/1992 Dieperink et al. D26/87
D390,992 S * 2/1998 Shemitz D26/63
D438,665 S * 3/2001 Rochon D26/87
D572,401 S * 7/2008 Chandler D26/87
2007/0253208 A1 * 11/2007 Howard et al. 362/431

* cited by examiner

Primary Examiner—Clare E Heflin

(74) *Attorney, Agent, or Firm*—Frank R. Niranjana

(57) **CLAIM**

The ornamental design for an LED lamp, as shown.

DESCRIPTION

FIG. 1 is a perspective view of an LED lamp showing our new design;

FIG. 2 is a front elevational view thereof;

FIG. 3 is a rear elevational view thereof;

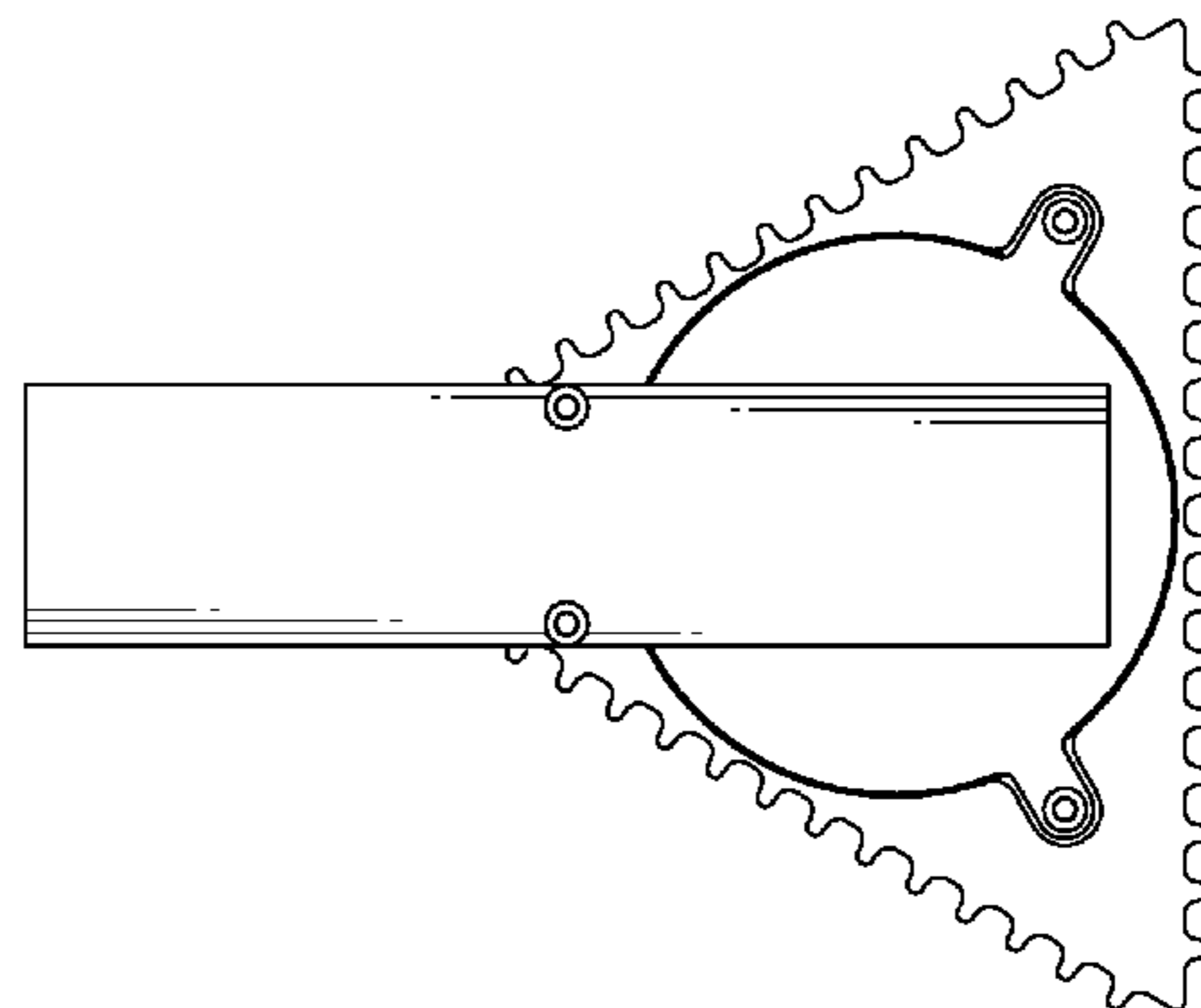
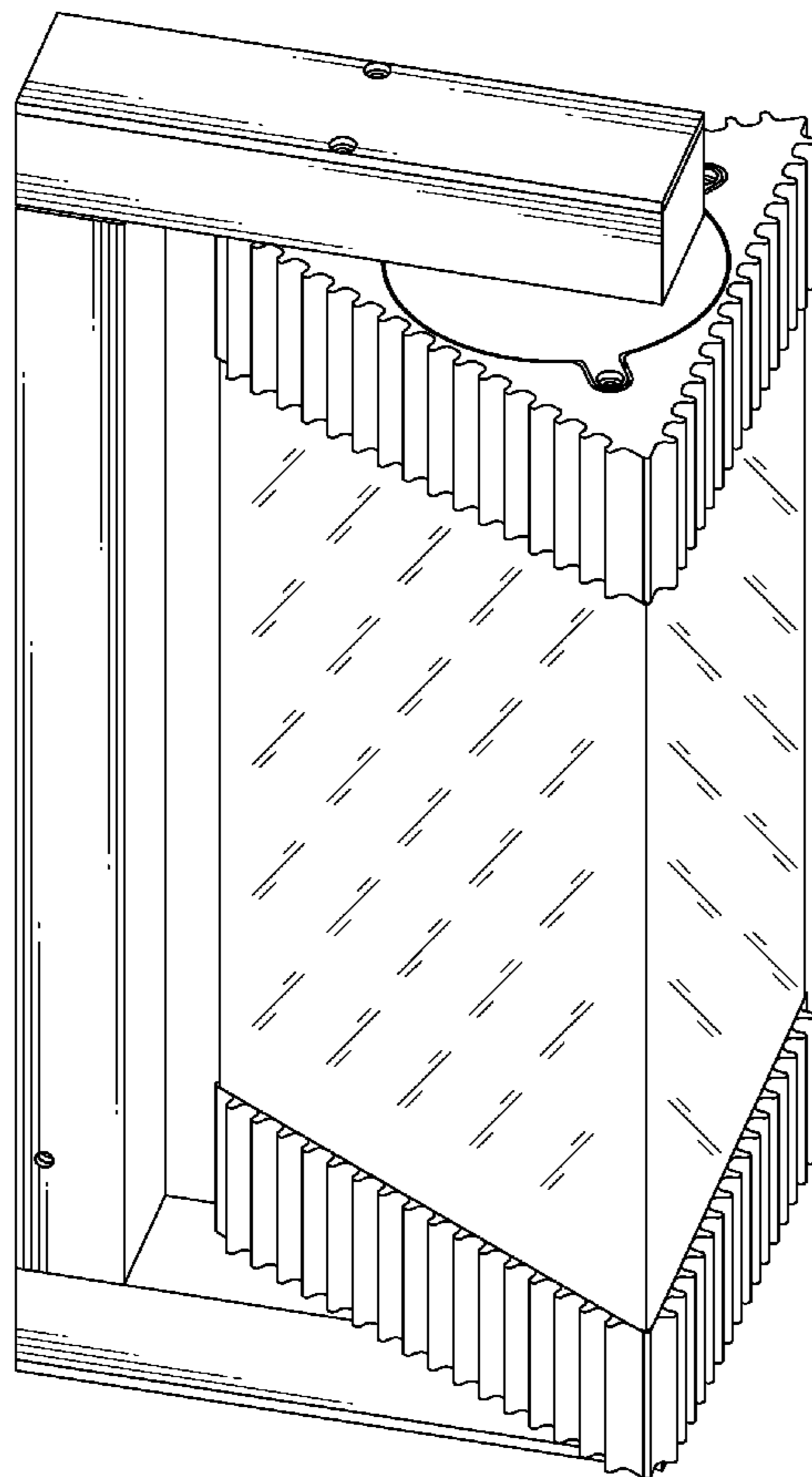
FIG. 4 is a left-side, elevational view thereof;

FIG. 5 is a right-side, elevational view thereof;

FIG. 6 is a top plan view thereof; and,

FIG. 7 is a bottom plan view thereof.

1 Claim, 7 Drawing Sheets



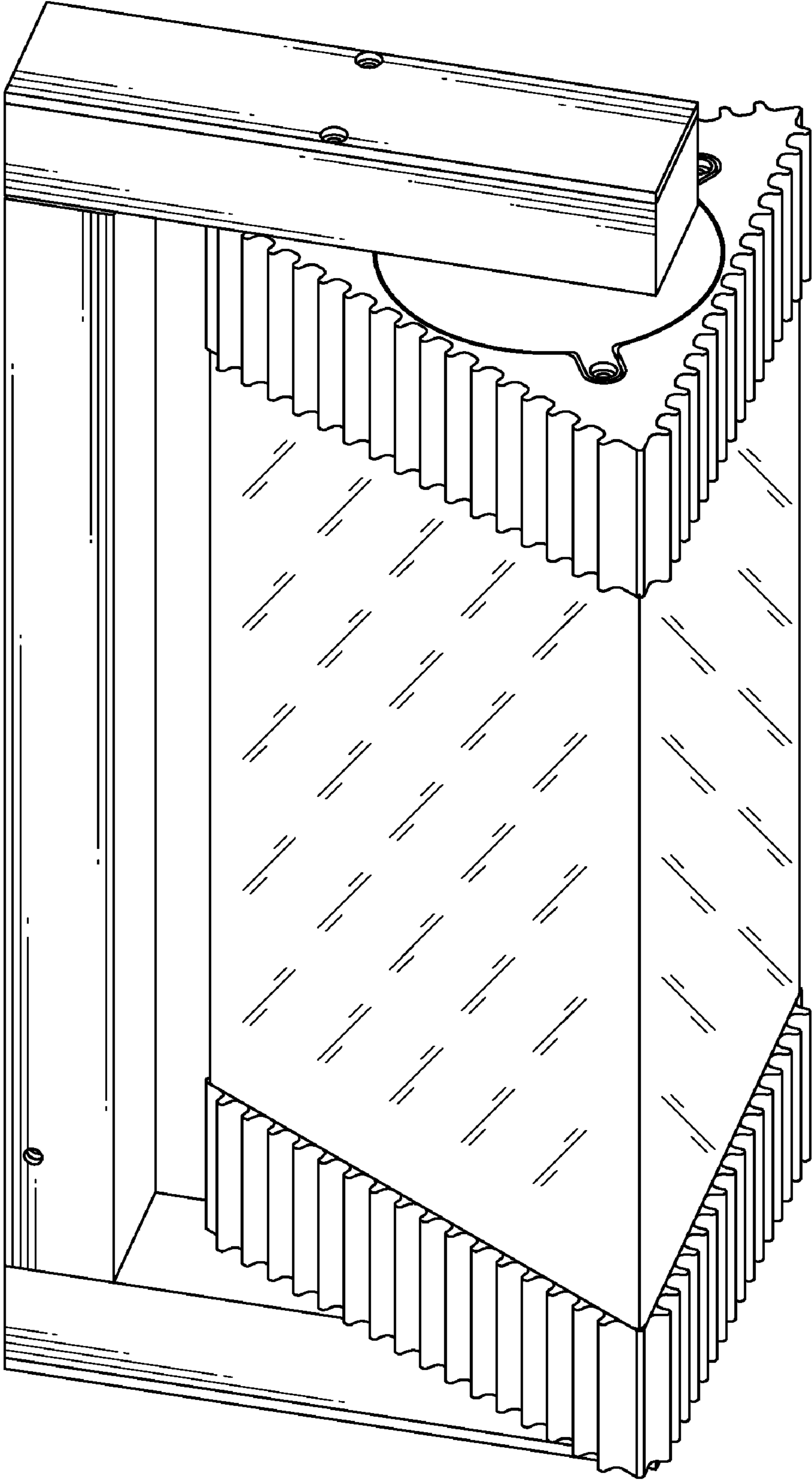


FIG. 1

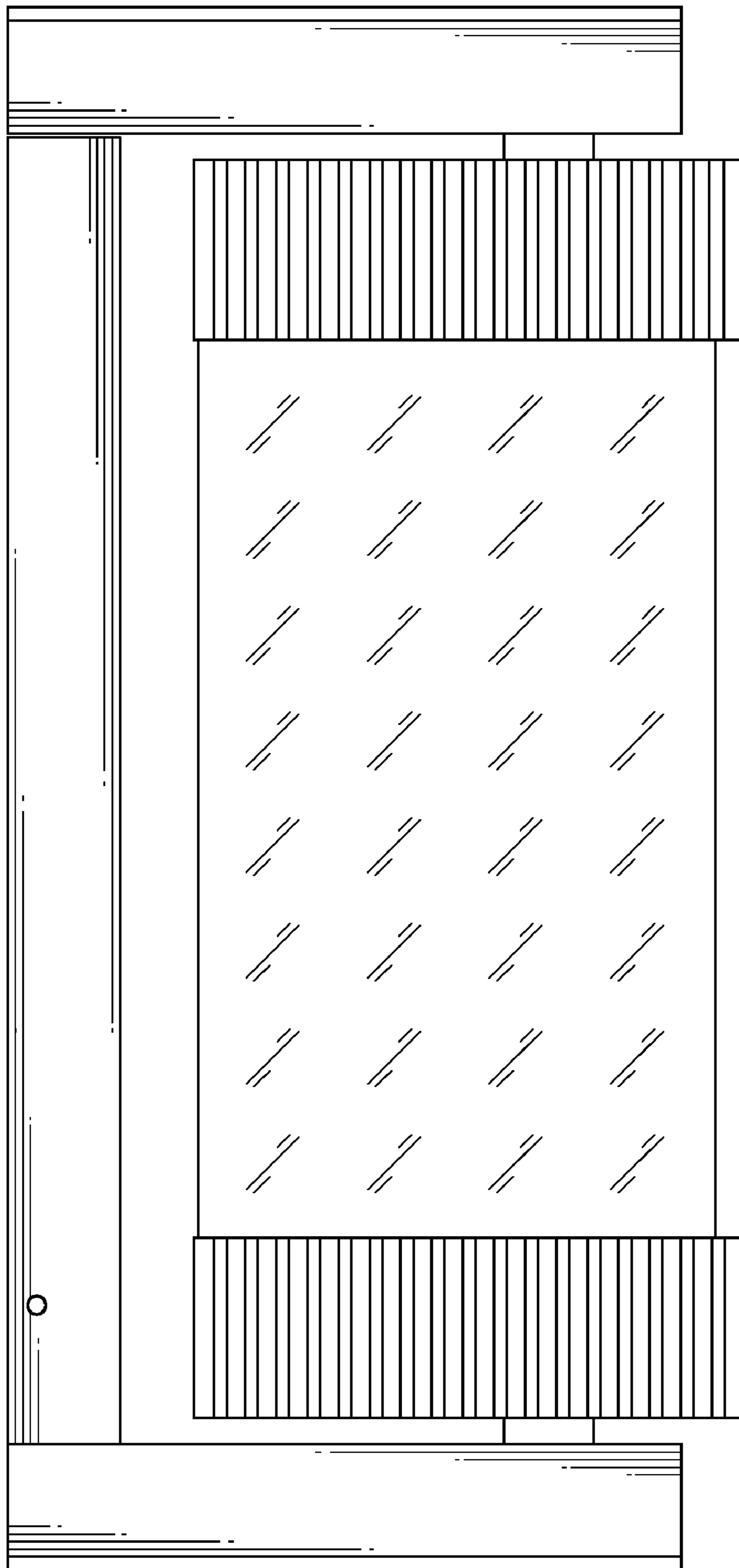


FIG. 2

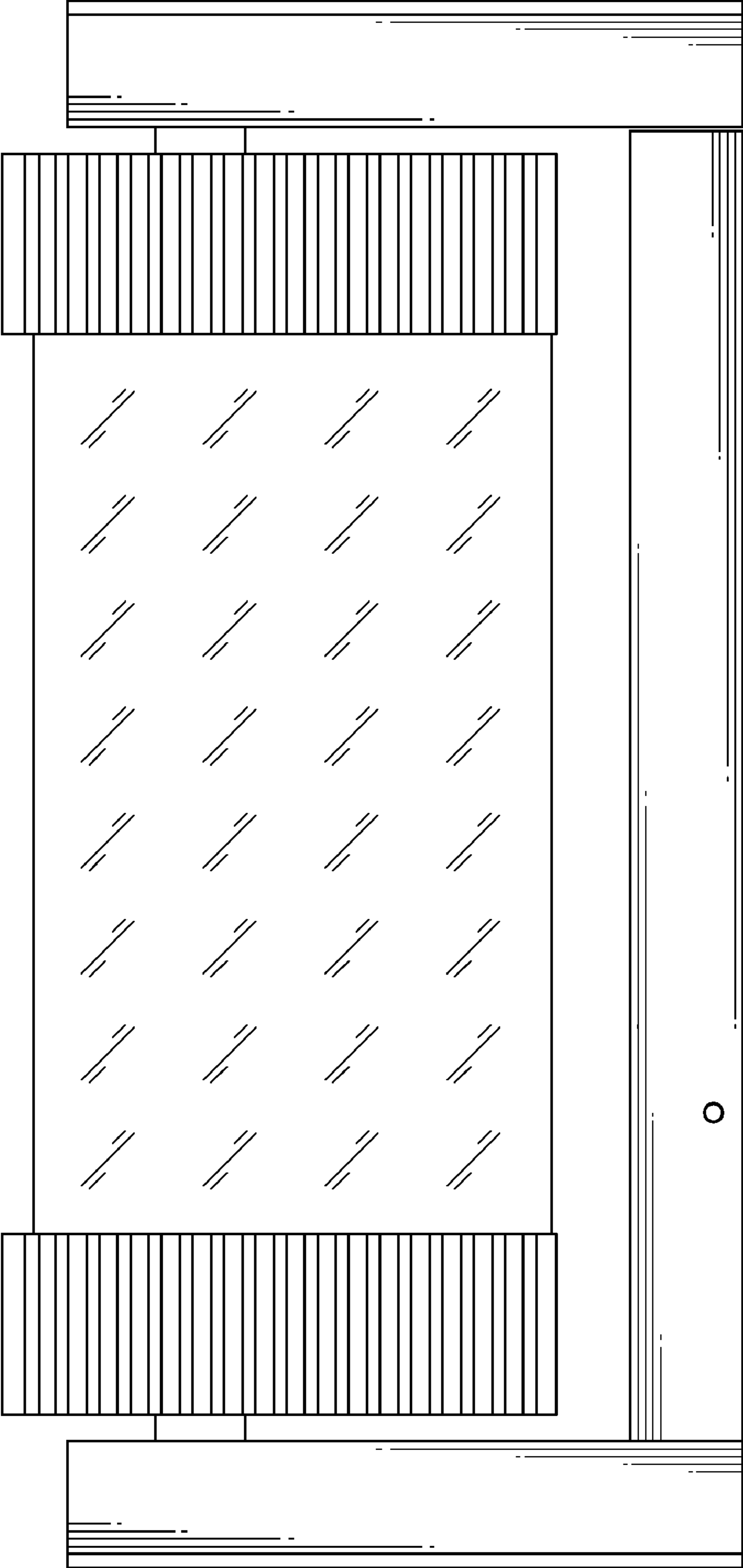


FIG. 3

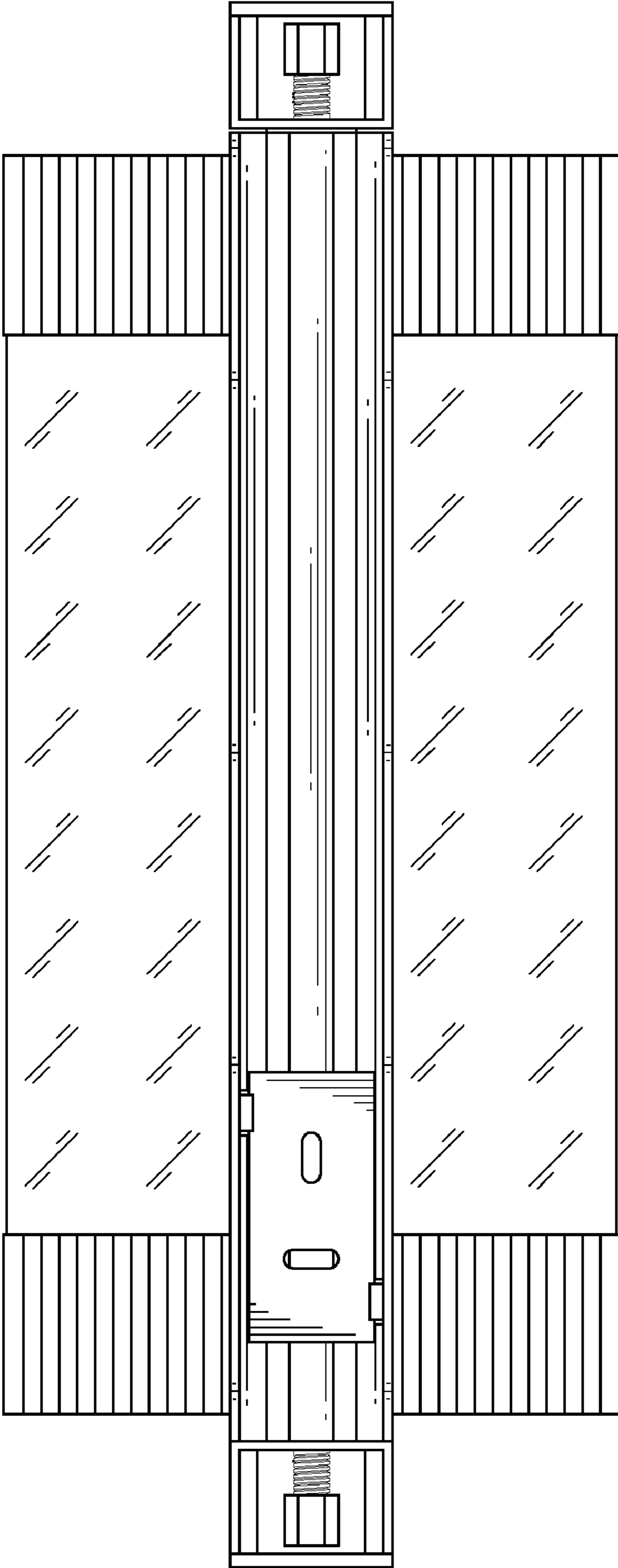


FIG. 4

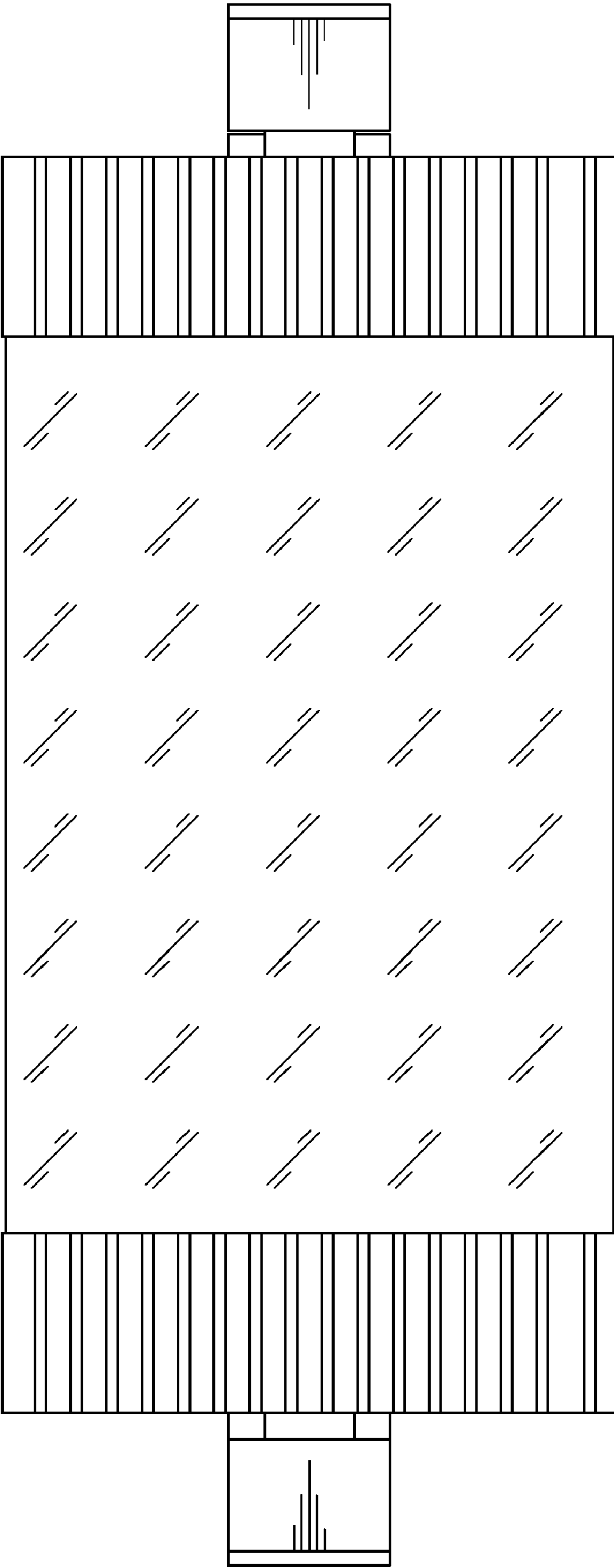


FIG. 5

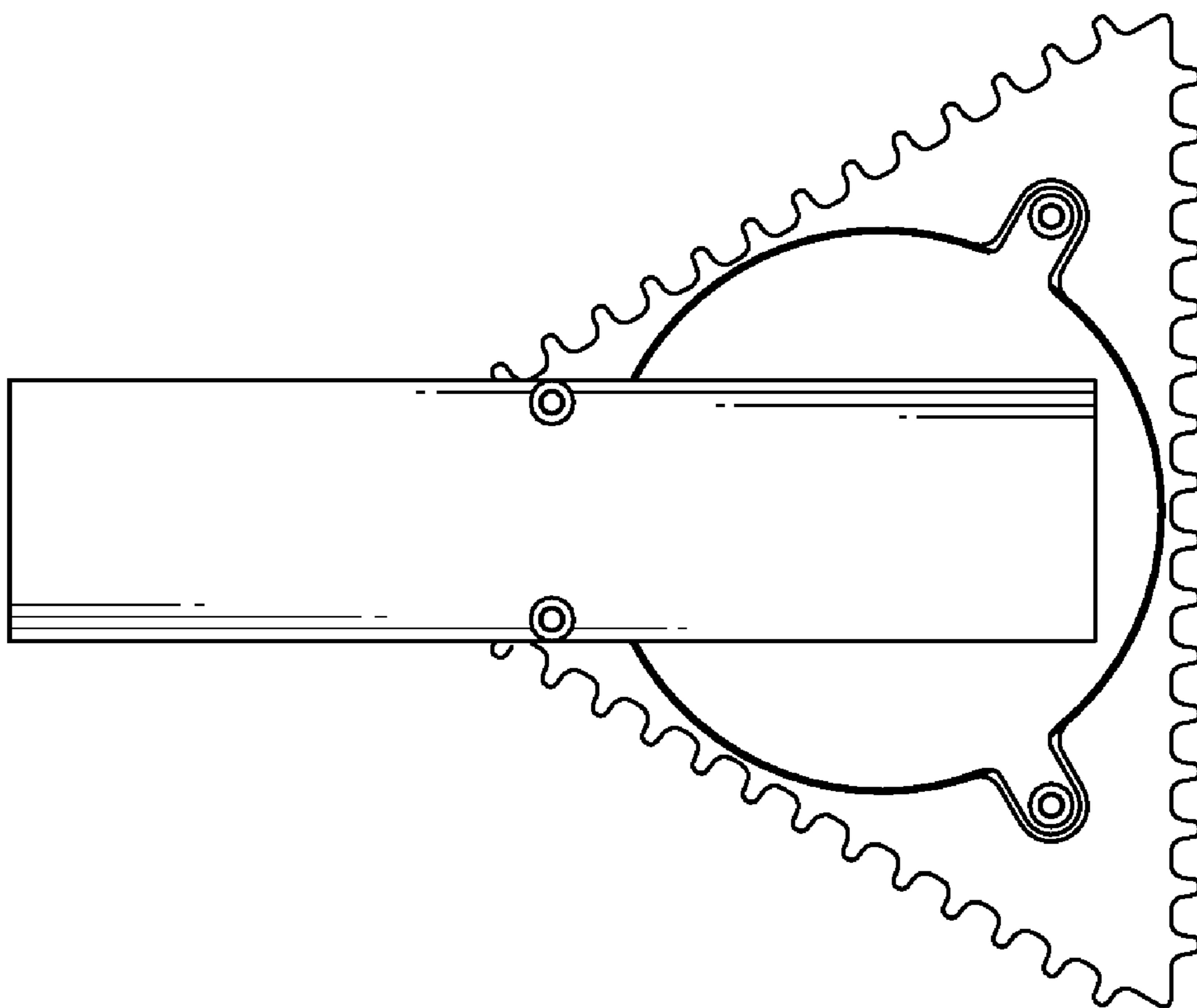


FIG. 6

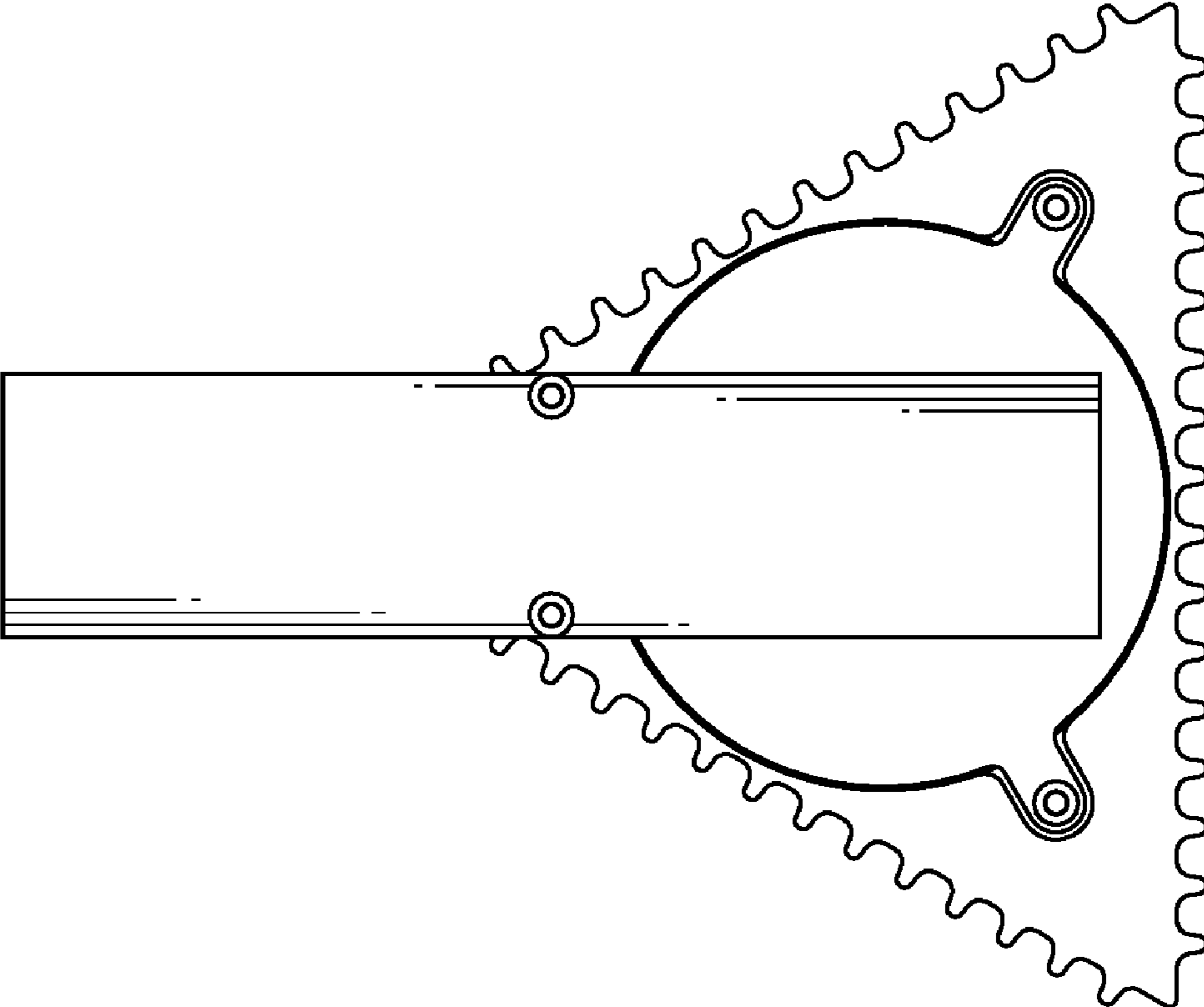


FIG. 7