



US00D580585S

(12) **United States Design Patent**
Otero

(10) **Patent No.:** **US D580,585 S**

(45) **Date of Patent:** **** Nov. 11, 2008**

(54) **LIGHTING FIXTURE**

(75) Inventor: **Federico Otero**, Lima (PE)

(73) Assignee: **Boyd Lighting Fixture Company**, San Francisco, CA (US)

(**) Term: **14 Years**

(21) Appl. No.: **29/295,116**

(22) Filed: **Sep. 21, 2007**

(51) **LOC (8) Cl.** **26-03**

(52) **U.S. Cl.** **D26/88**

(58) **Field of Classification Search** D26/72,
D26/75-78, 85-89, 122; 362/147, 404, 407,
362/351, 360, 347, 350

See application file for complete search history.

(56) **References Cited**

U.S. PATENT DOCUMENTS

D129,135	S	*	8/1941	Vacha	D26/121
2,299,256	A	*	10/1942	Schultz	D26/121
D142,960	S	*	11/1945	Lee	D26/121
D167,816	S	*	9/1952	Steeber	D26/85
2,906,864	A	*	9/1959	Boutelle	362/354
D233,468	S	*	10/1974	Shemitz	D26/75
D352,798	S	*	11/1994	Her	D26/82
D411,634	S	*	6/1999	Connelly	D26/24
D459,525	S	*	6/2002	Barry	D26/88
D558,386	S	*	12/2007	Bickler et al.	D26/89
D566,878	S	*	4/2008	Duffy et al.	D26/85

OTHER PUBLICATIONS

Catacaos Room Divider, designer Federico OTERO, 4-pages, 2005.

* cited by examiner

Primary Examiner—Clare E Heflin

(74) *Attorney, Agent, or Firm*—Heslin Rothenberg Farley & Mesiti P.C.

(57) **CLAIM**

The ornamental design for a lighting fixture, as shown and described.

DESCRIPTION

FIG. 1 is a perspective view of a first embodiment of a lighting fixture comprising the new design;

FIG. 2 is a front elevational view thereof;

FIG. 3 is a right side elevational view thereof, a left side elevational view being a mirror image thereof;

FIG. 4 is bottom view thereof;

FIG. 5 is a perspective view of a second embodiment of a lighting fixture comprising the new design having a translucent side portion and a translucent layer above the circles;

FIG. 6 is a front elevational view thereof;

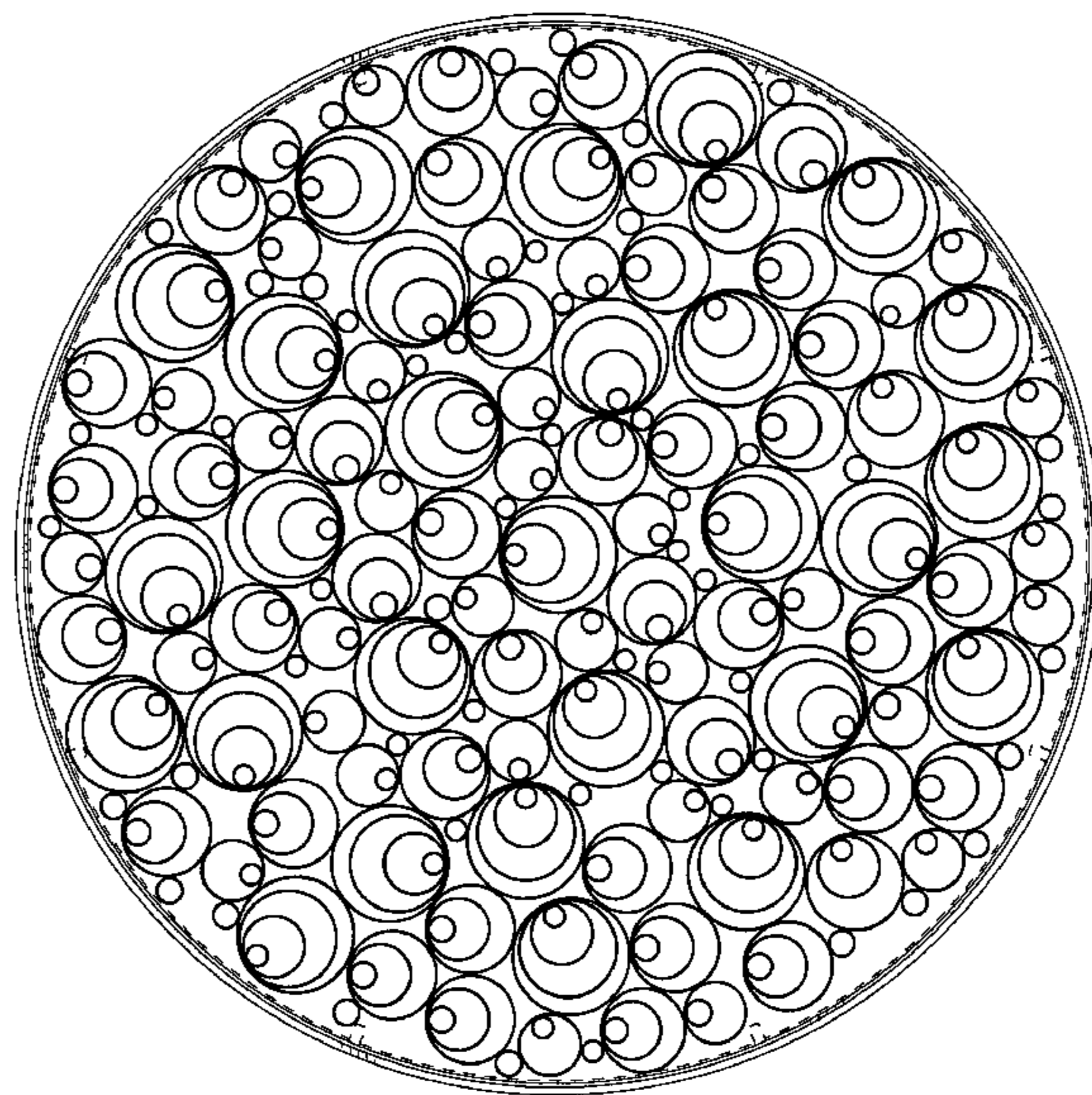
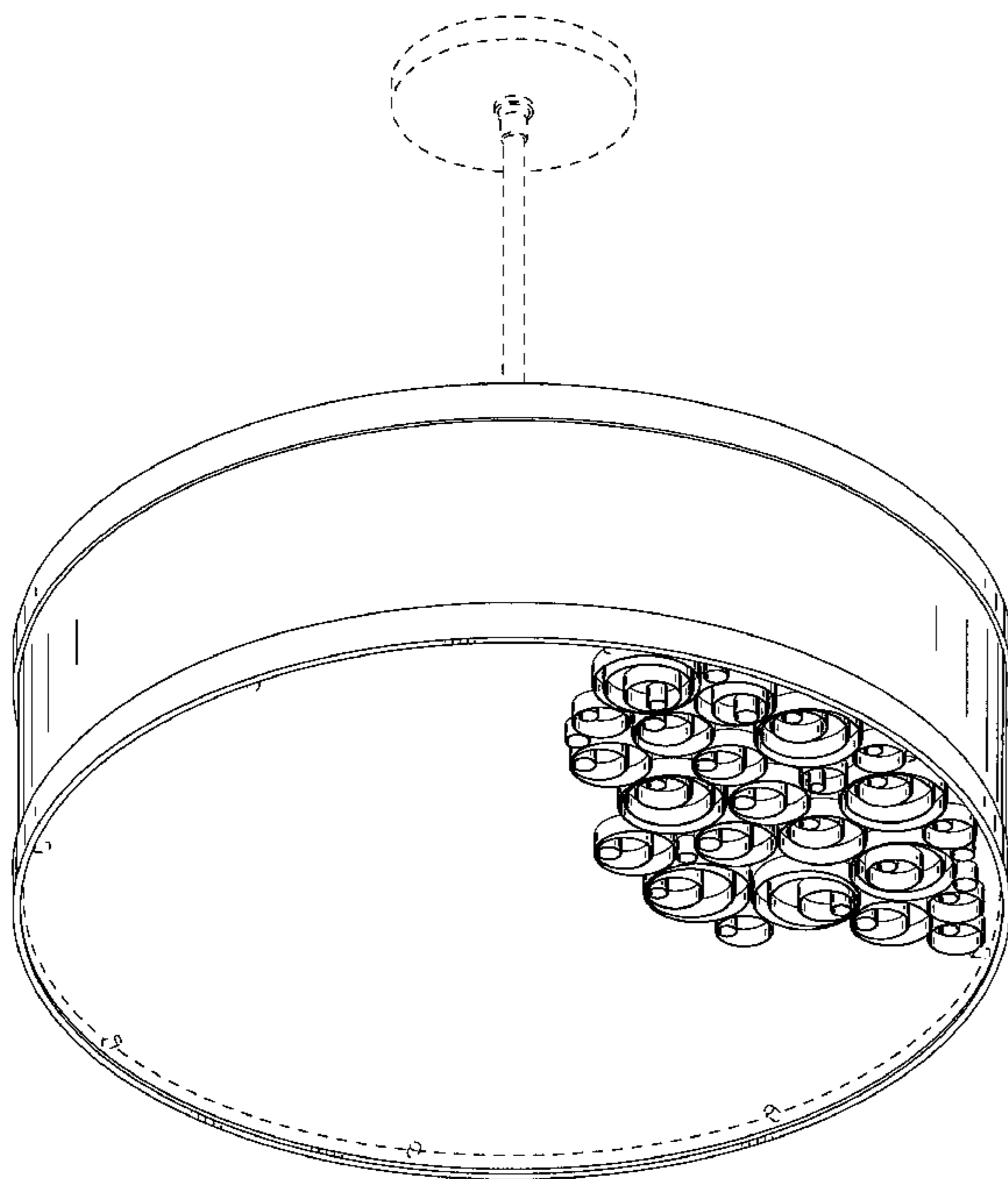
FIG. 7 is a right side elevational view thereof, a left side elevational view being a mirror image thereof; and,

FIG. 8 is bottom view thereof.

The showing of circles in FIG. 1 extends along the bottom as shown in FIG. 4, and the showing of circles in FIG. 5 extends along the bottom as shown in FIG. 8.

The broken lines in the figures are for illustration purposes only and form no part of the claimed invention.

1 Claim, 8 Drawing Sheets



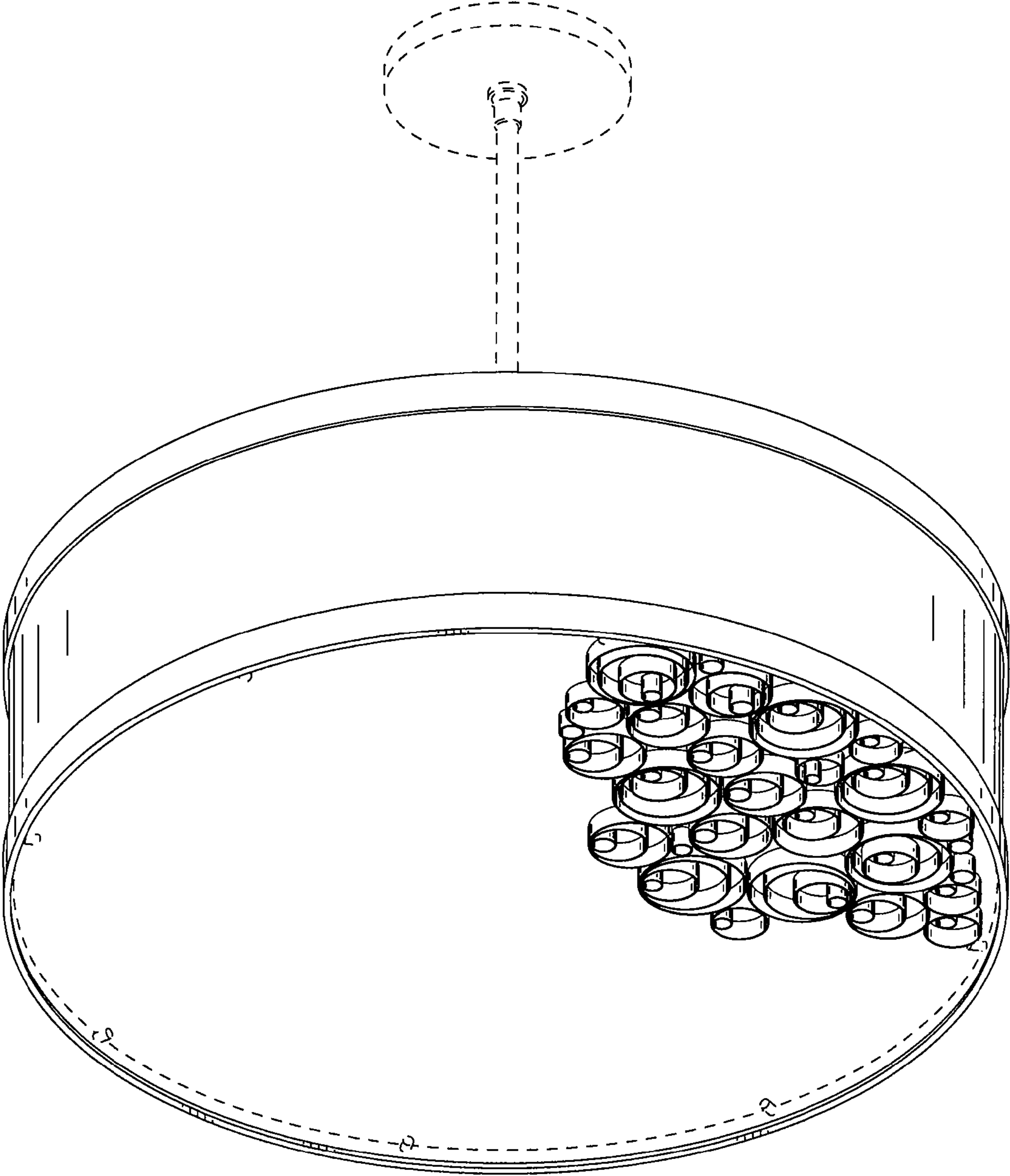


FIG. 1

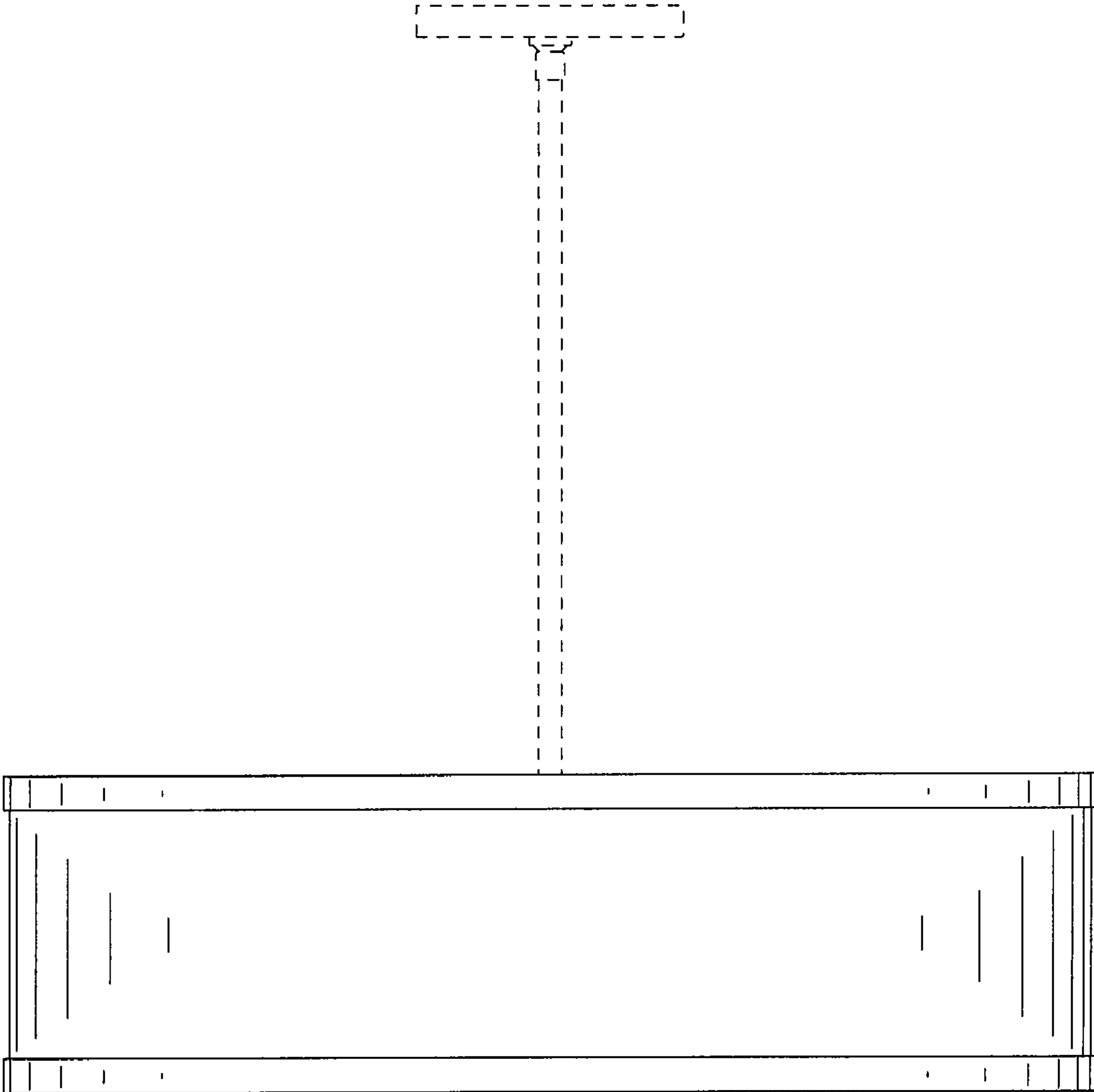


FIG. 2

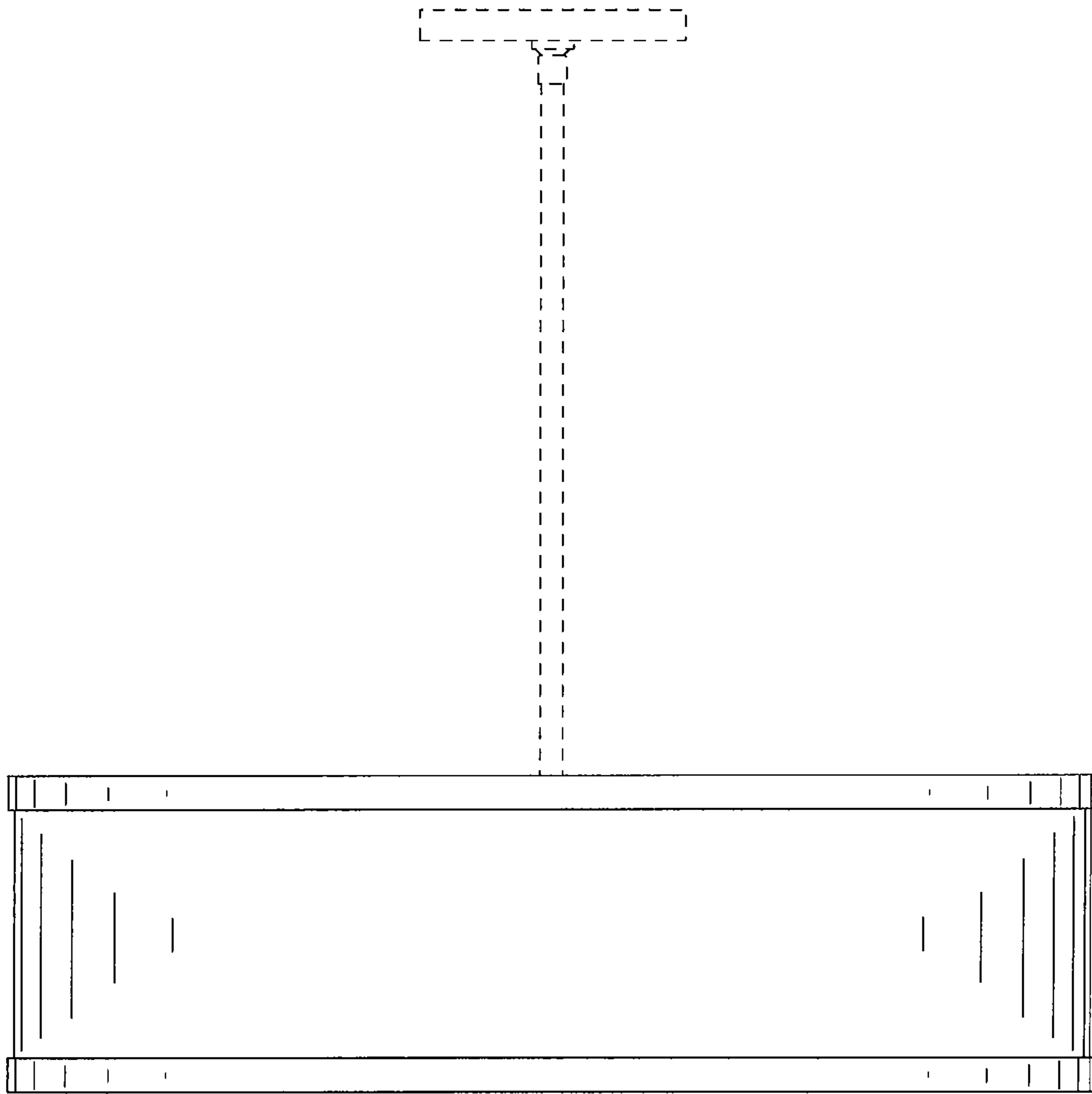


FIG. 3

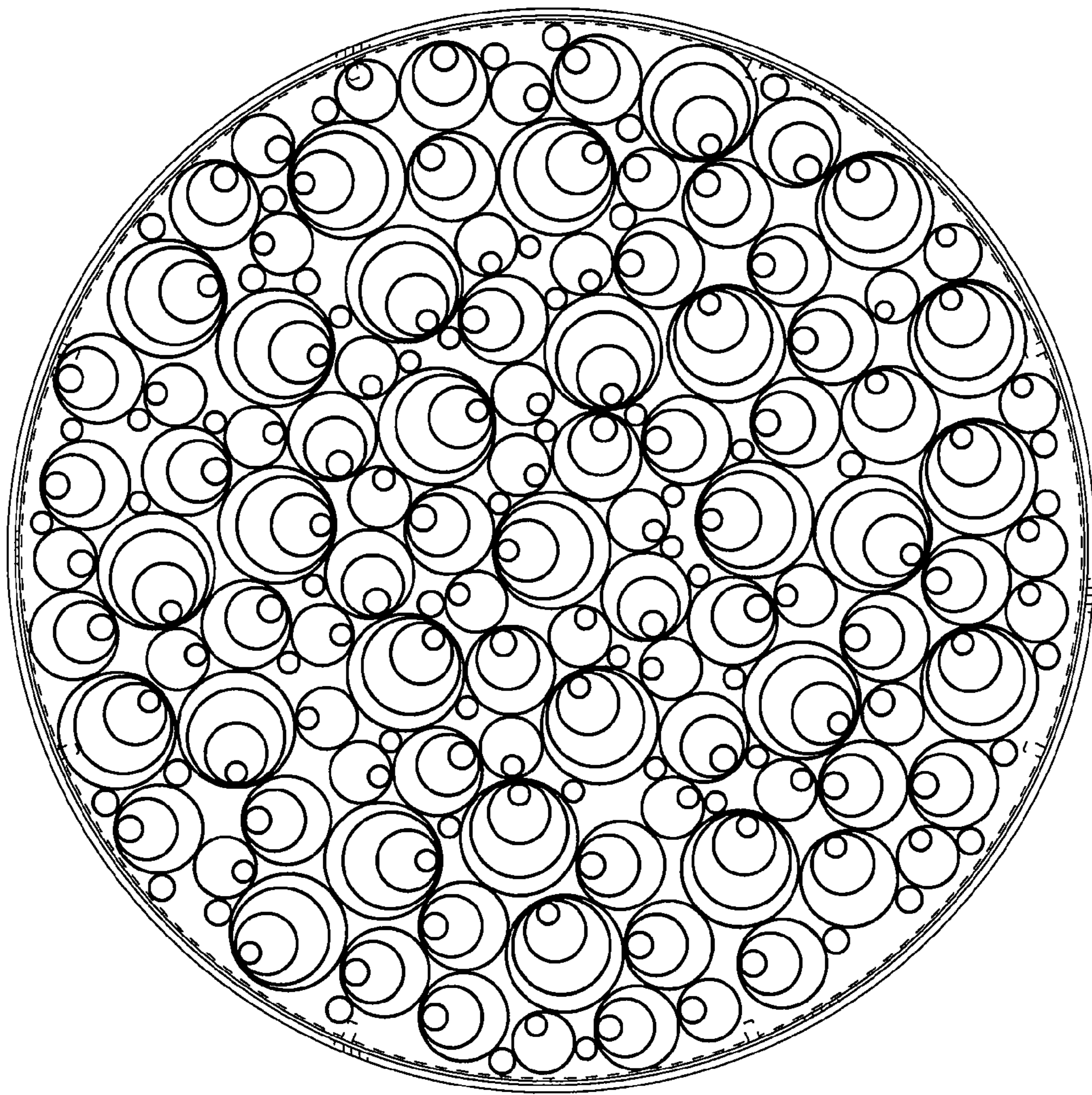


FIG. 4

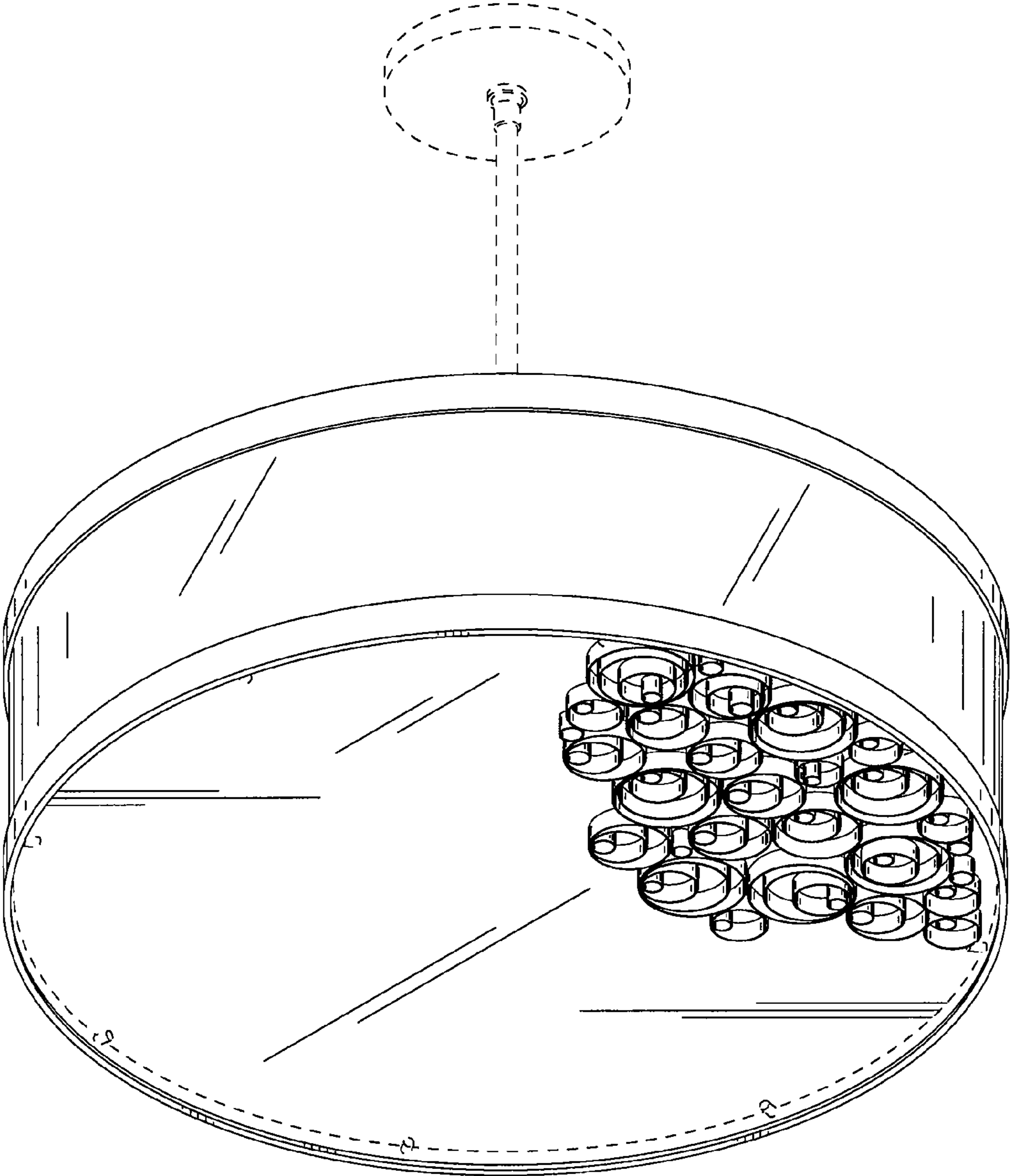


FIG. 5

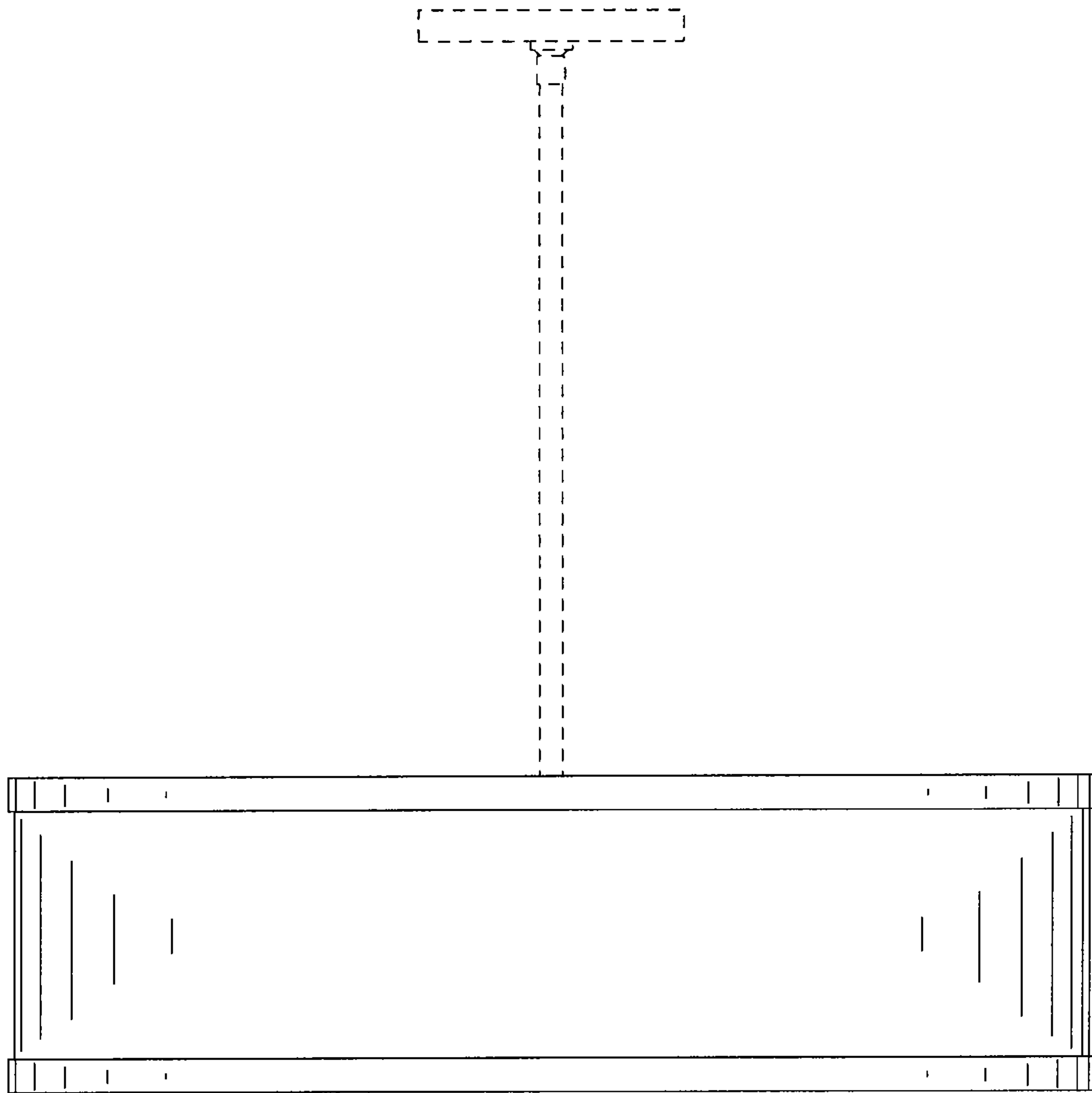


FIG. 6

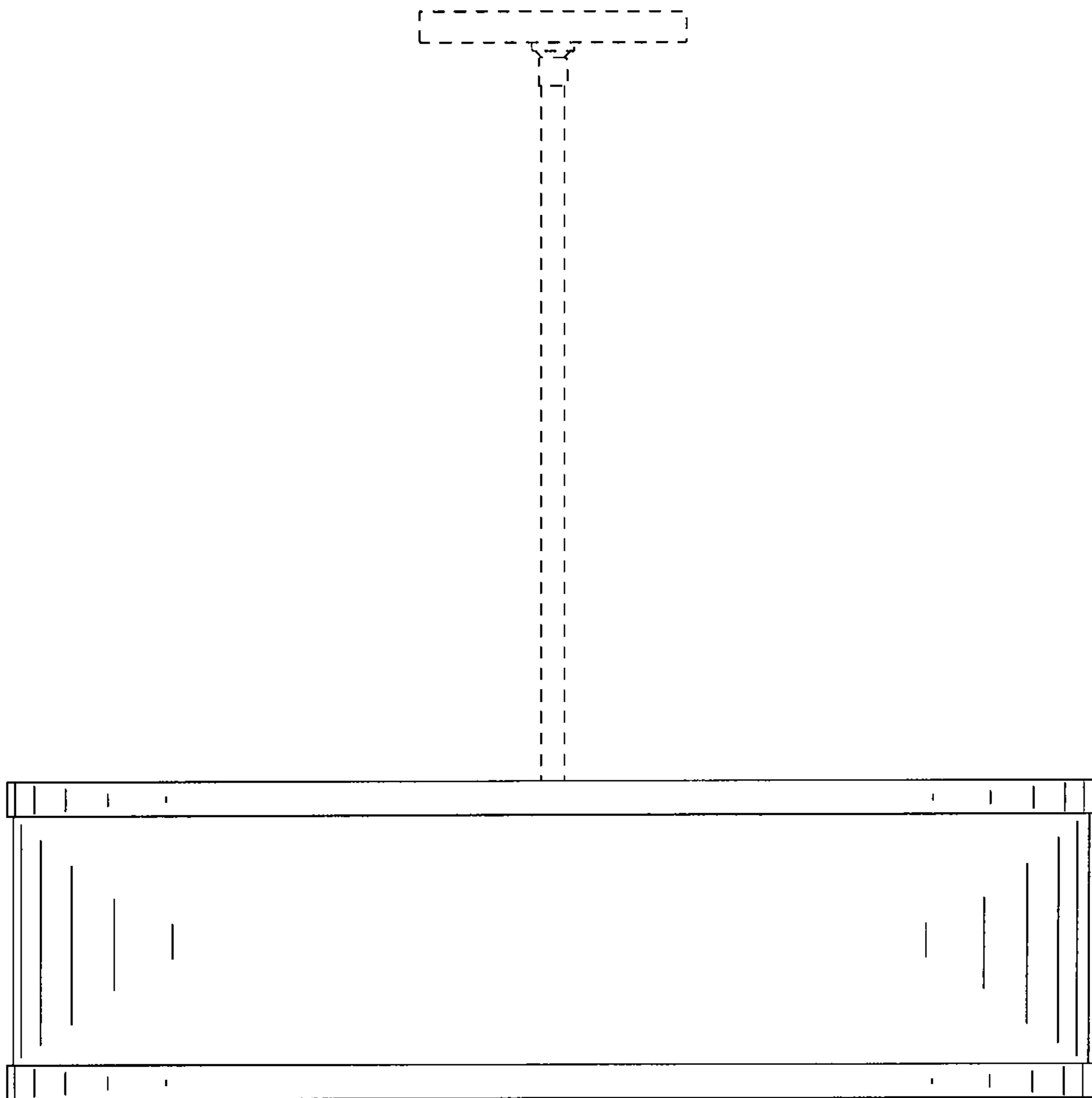


FIG. 7

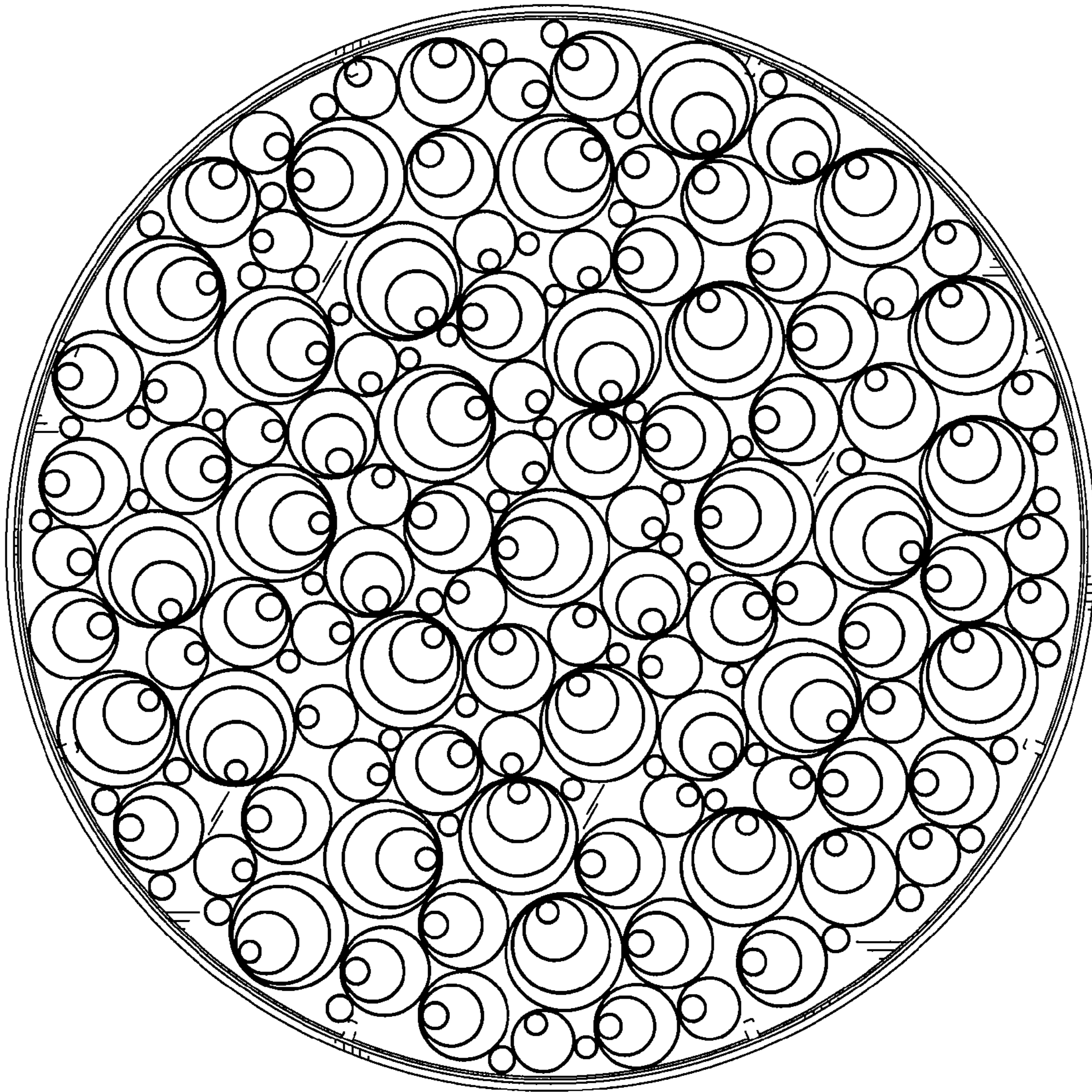


FIG. 8