



US00D580584S

(12) **United States Design Patent**  
**Hsu**

(10) **Patent No.:** **US D580,584 S**  
(45) **Date of Patent:** **\*\* Nov. 11, 2008**

(54) **WALL LAMP**

(75) Inventor: **Keen Hsu**, Taichung (TW)  
(73) Assignee: **Dong Guan Bright Yinhuey Lighting Co., Ltd. China**, Guang Dong (CN)

(\*\*) Term: **14 Years**

(21) Appl. No.: **29/281,300**

(22) Filed: **Jun. 20, 2007**

(51) **LOC (8) Cl.** ..... **26-03**

(52) **U.S. Cl.** ..... **D26/87**

(58) **Field of Classification Search** ..... D26/67,  
D26/72, 85, 87, 92, 118, 128, 130; 362/147,  
362/432, 351, 355, 356, 363, 370, 806  
See application file for complete search history.

(56) **References Cited**

**U.S. PATENT DOCUMENTS**

D318,930 S *	8/1991	Choi	.....	D26/87
D341,440 S *	11/1993	Hsu	.....	D26/87
D371,622 S *	7/1996	Hsu	.....	D26/87
D388,219 S *	12/1997	Hsu	.....	D26/87
D417,925 S *	12/1999	Meck et al.	.....	D26/87
D445,213 S *	7/2001	Jones et al.	.....	D26/87
D464,163 S *	10/2002	Orozco	.....	D26/87
D557,443 S *	12/2007	Hsu	.....	D26/87

**OTHER PUBLICATIONS**

“Kensington” on p. 320 of the Kichler Lighting Catalog # 104, (C)2004.\*  
Model #1963 on p. 99 of the American Lantern Catalog #ALC 687. (C)1987.\*  
Model # 1636PB on p. 134 of the Design House Lighting Catalog (C)1995.\*

\* cited by examiner

*Primary Examiner*—Clare E Heflin

(74) *Attorney, Agent, or Firm*—Alan Kamrath; Kamrath & Associates PA

(57) **CLAIM**

The ornamental design for a wall lamp, as shown and described.

**DESCRIPTION**

FIG. 1 is a front elevational view of a wall lamp showing my design;

FIG. 2 is a rear elevational view thereof;

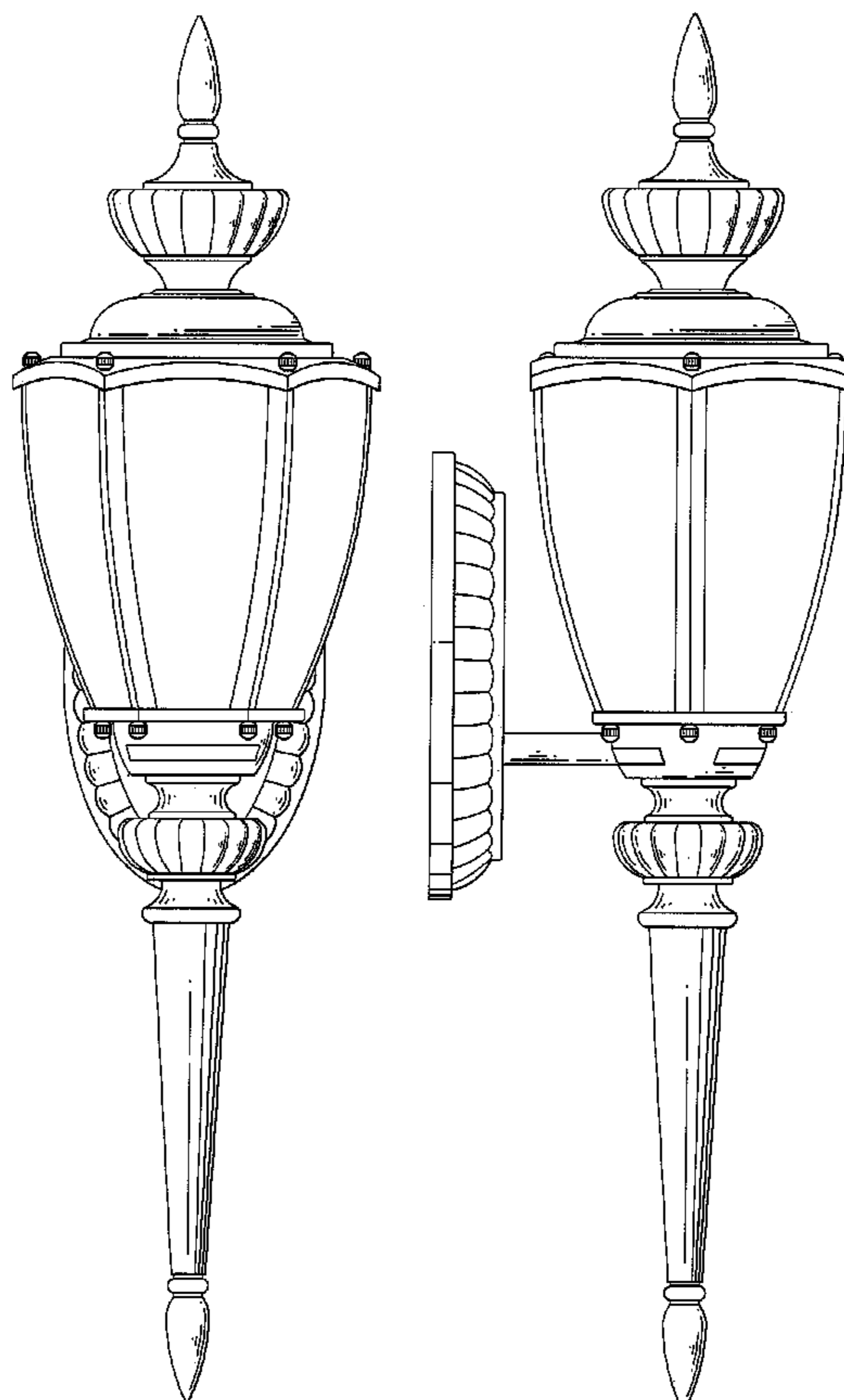
FIG. 3 is a left side elevational view thereof;

FIG. 4 is a right side elevational view thereof;

FIG. 5 is a top plan view thereof; and,

FIG. 6 is a bottom plan view thereof.

**1 Claim, 5 Drawing Sheets**



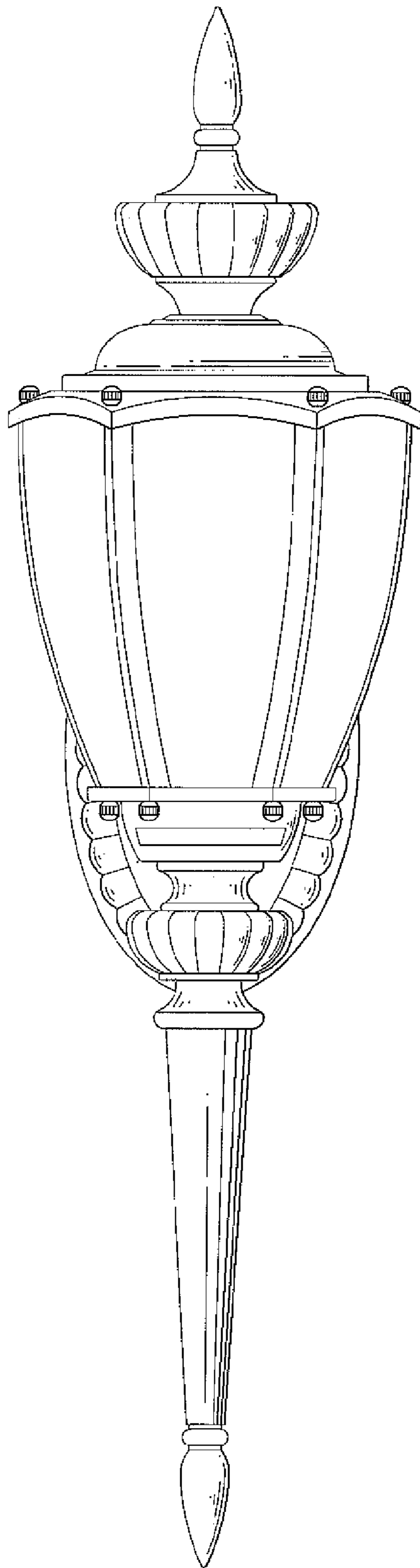


FIG. 1

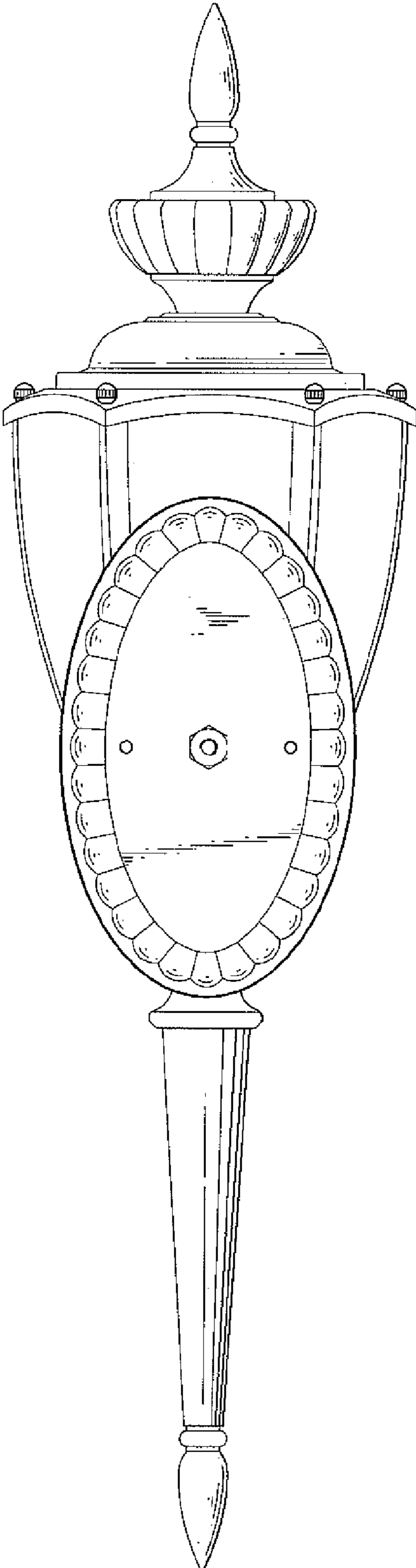


FIG. 2

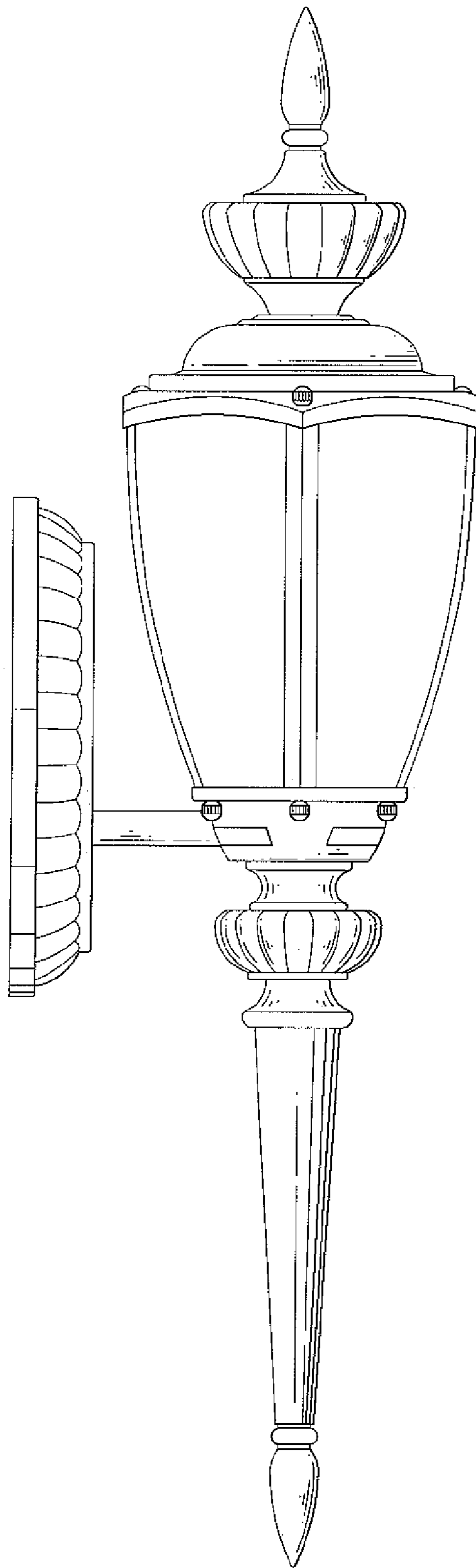


FIG. 3

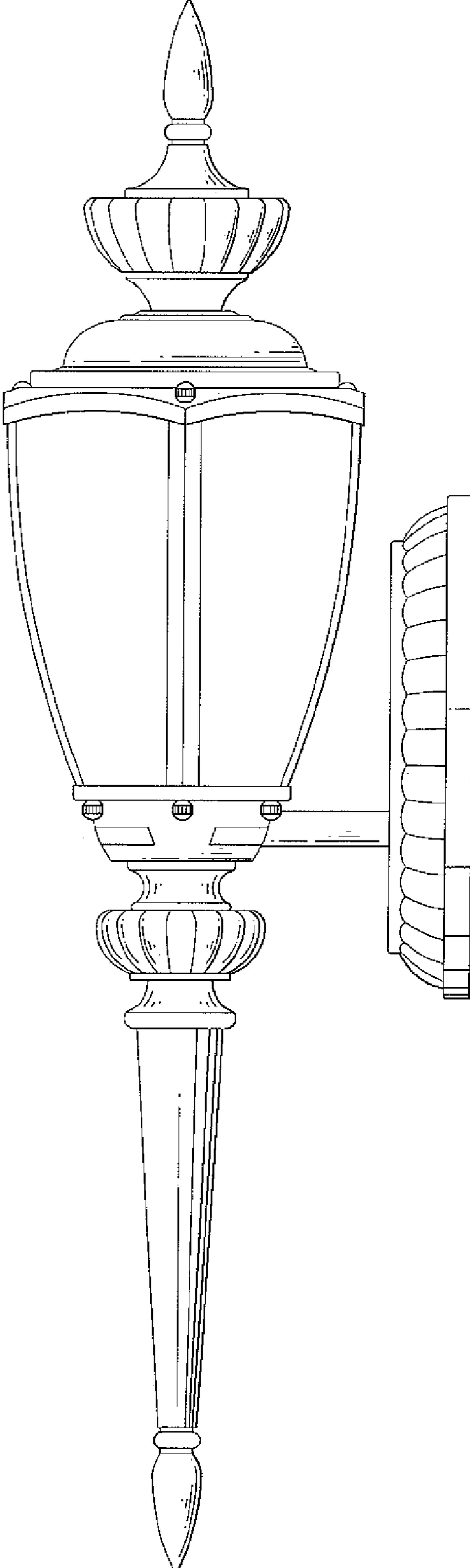


FIG. 4

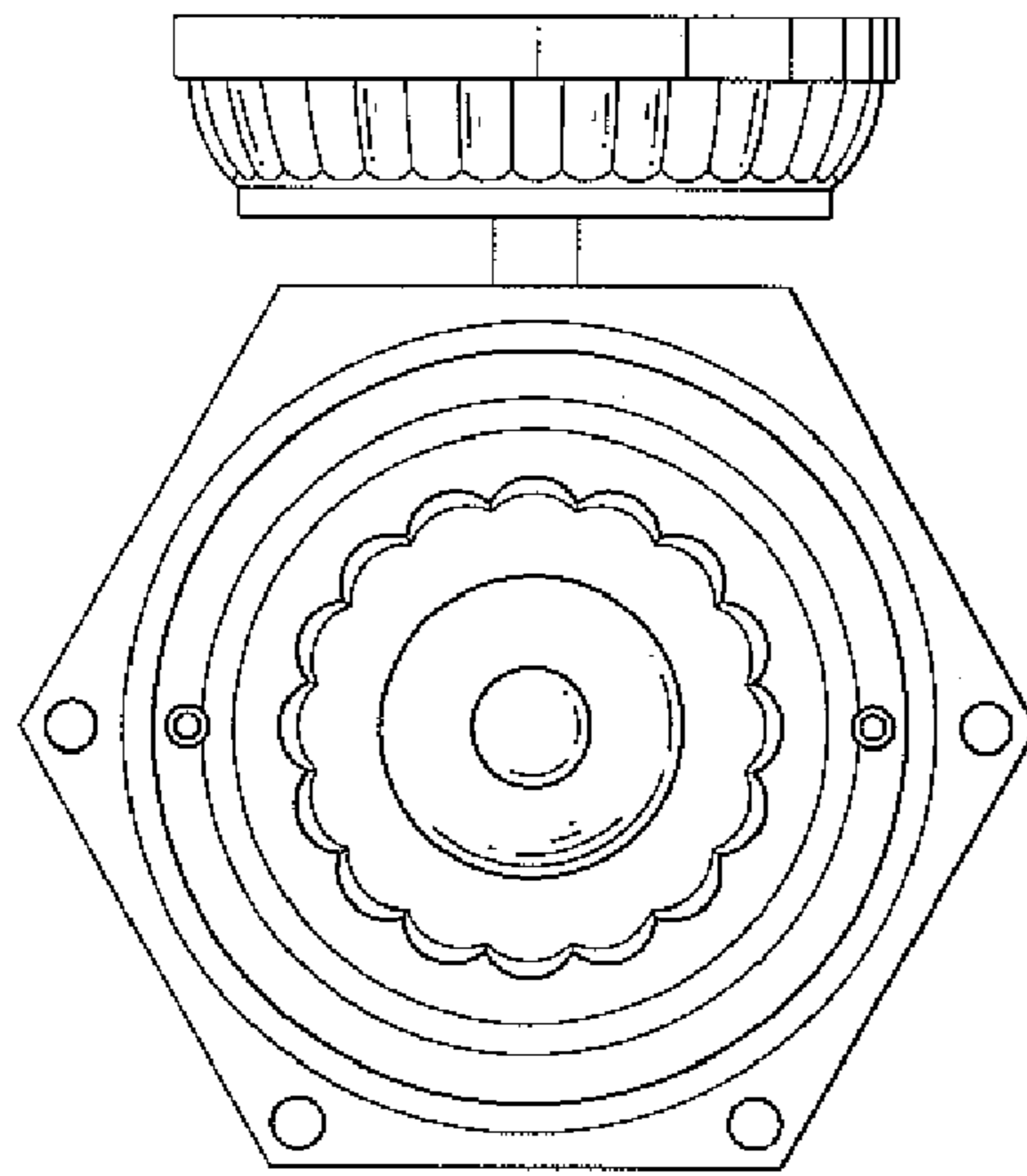


FIG. 5

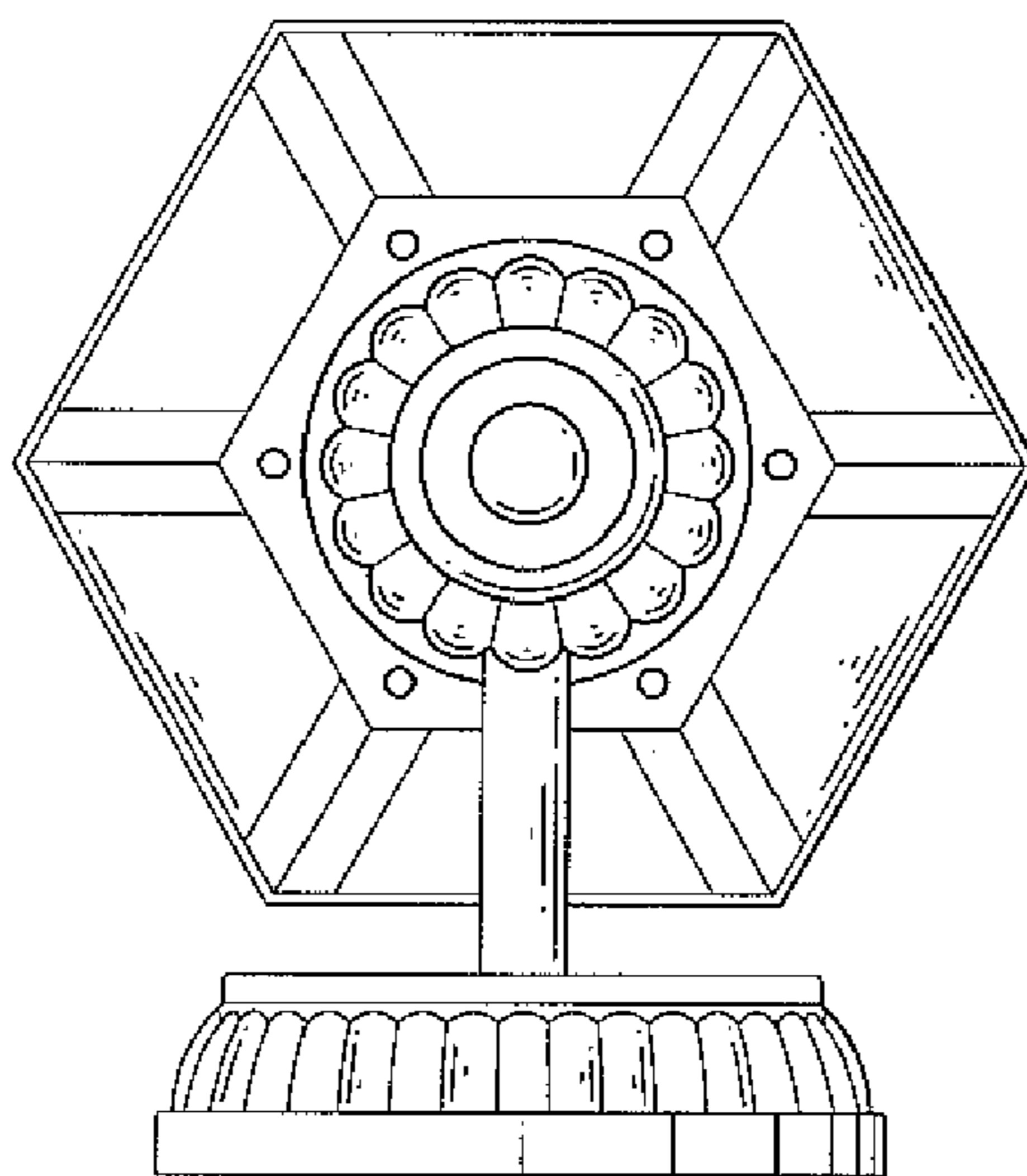


FIG. 6