



US00D580582S

(12) **United States Design Patent**  
**Fan**

(10) **Patent No.:** **US D580,582 S**

(45) **Date of Patent:** **\*\* Nov. 11, 2008**

(54) **LED STREET LAMP**

6,784,357 B1 \* 8/2004 Wang ..... 136/244  
7,044,617 B2 \* 5/2006 Maxwell et al. .... 362/145  
D542,958 S \* 5/2007 Lodhie et al. .... D26/67

(75) Inventor: **Ben Fan**, Heshan (CN)

\* cited by examiner

(73) Assignee: **He Shan Lide Electronic Enterprise Company Ltd.**, Heshan (CN)

*Primary Examiner*—Clare E Heflin

(\*\*) Term: **14 Years**

(74) *Attorney, Agent, or Firm*—Seyfarth Shaw LLP

(21) Appl. No.: **29/294,278**

(57) **CLAIM**

(22) Filed: **Jan. 2, 2008**

The ornamental design for the LED street lamp, as shown and described.

(51) **LOC (8) Cl.** ..... **26-05**

**DESCRIPTION**

(52) **U.S. Cl.** ..... **D26/71**

(58) **Field of Classification Search** ..... D26/67–71,  
D26/87, 92; 362/145, 249, 252, 431, 432  
See application file for complete search history.

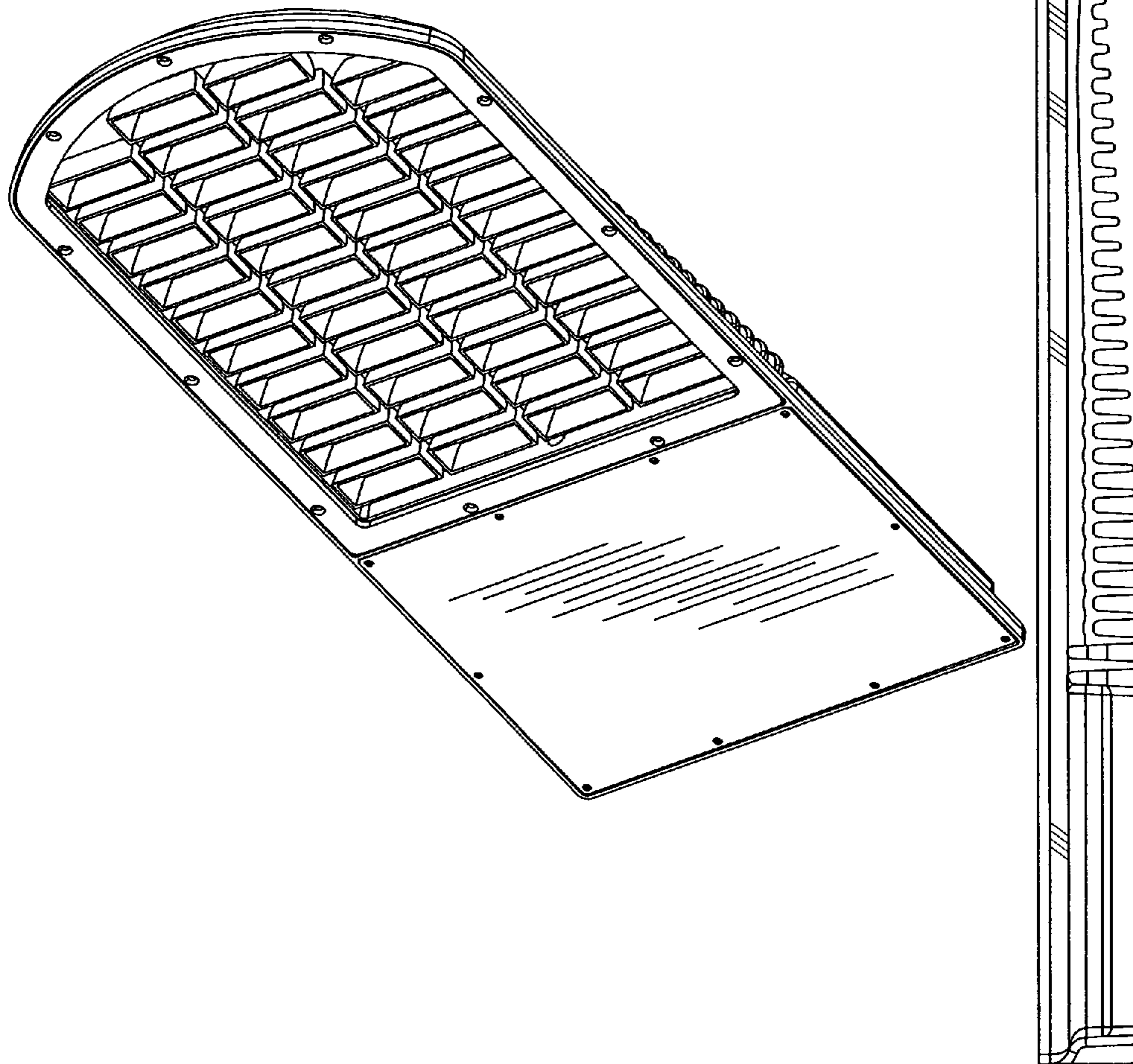
FIG. 1 is a perspective view of the LED street lamp;  
FIG. 2 is a front elevational view thereof;  
FIG. 3 is a rear elevational view thereof;  
FIG. 4 is a right-hand side elevational view thereof;  
FIG. 5 is a left-hand side elevational view thereof;  
FIG. 6 is a bottom plan view thereof; and,  
FIG. 7 is a top plan view thereof.

(56) **References Cited**

U.S. PATENT DOCUMENTS

D195,583 S \* 7/1963 Philips ..... D26/71  
3,862,411 A \* 1/1975 Persson ..... 362/431  
D358,902 S \* 5/1995 Webster, III ..... D26/87  
D389,262 S \* 1/1998 Compton ..... D26/67

**1 Claim, 7 Drawing Sheets**



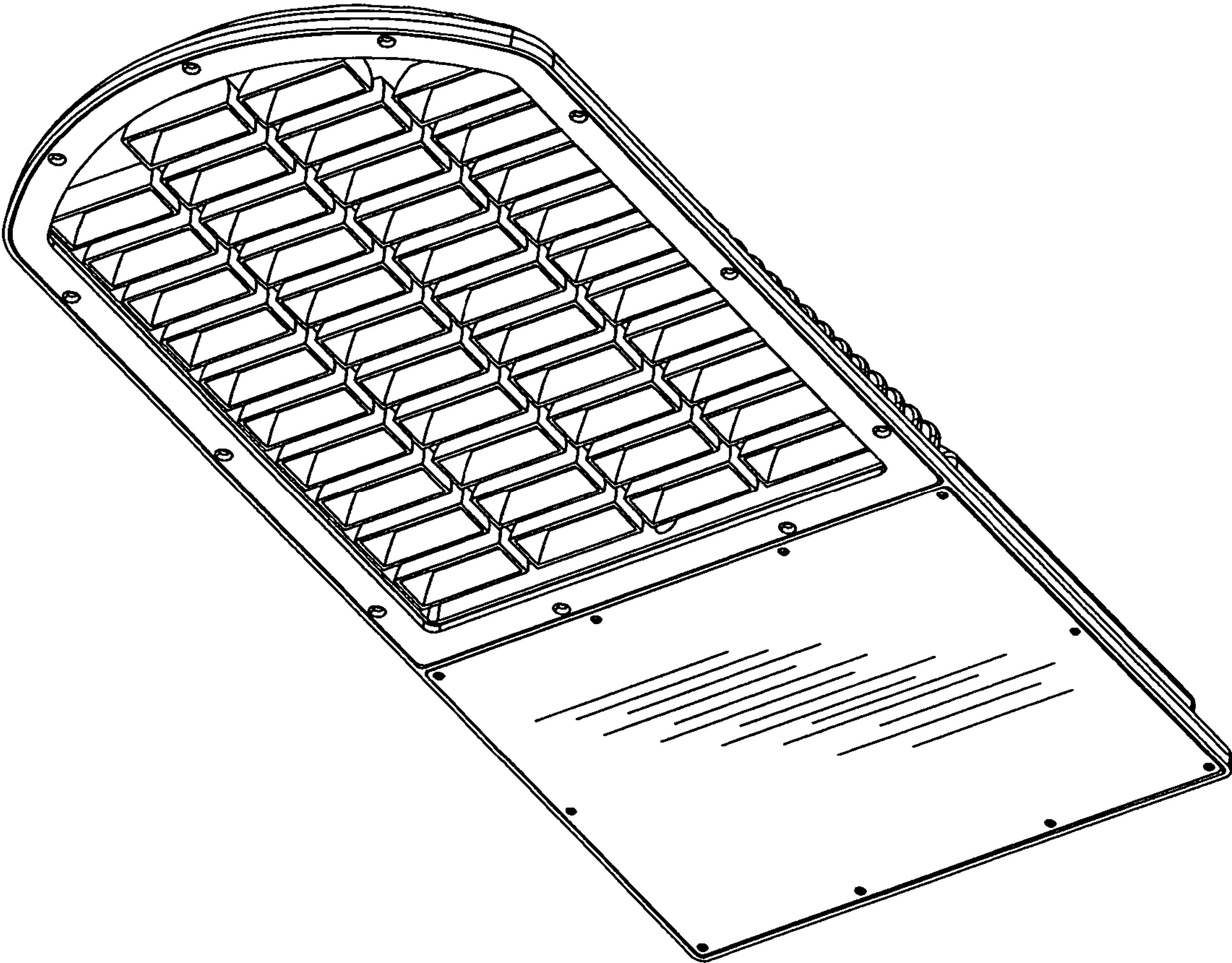


FIG.1

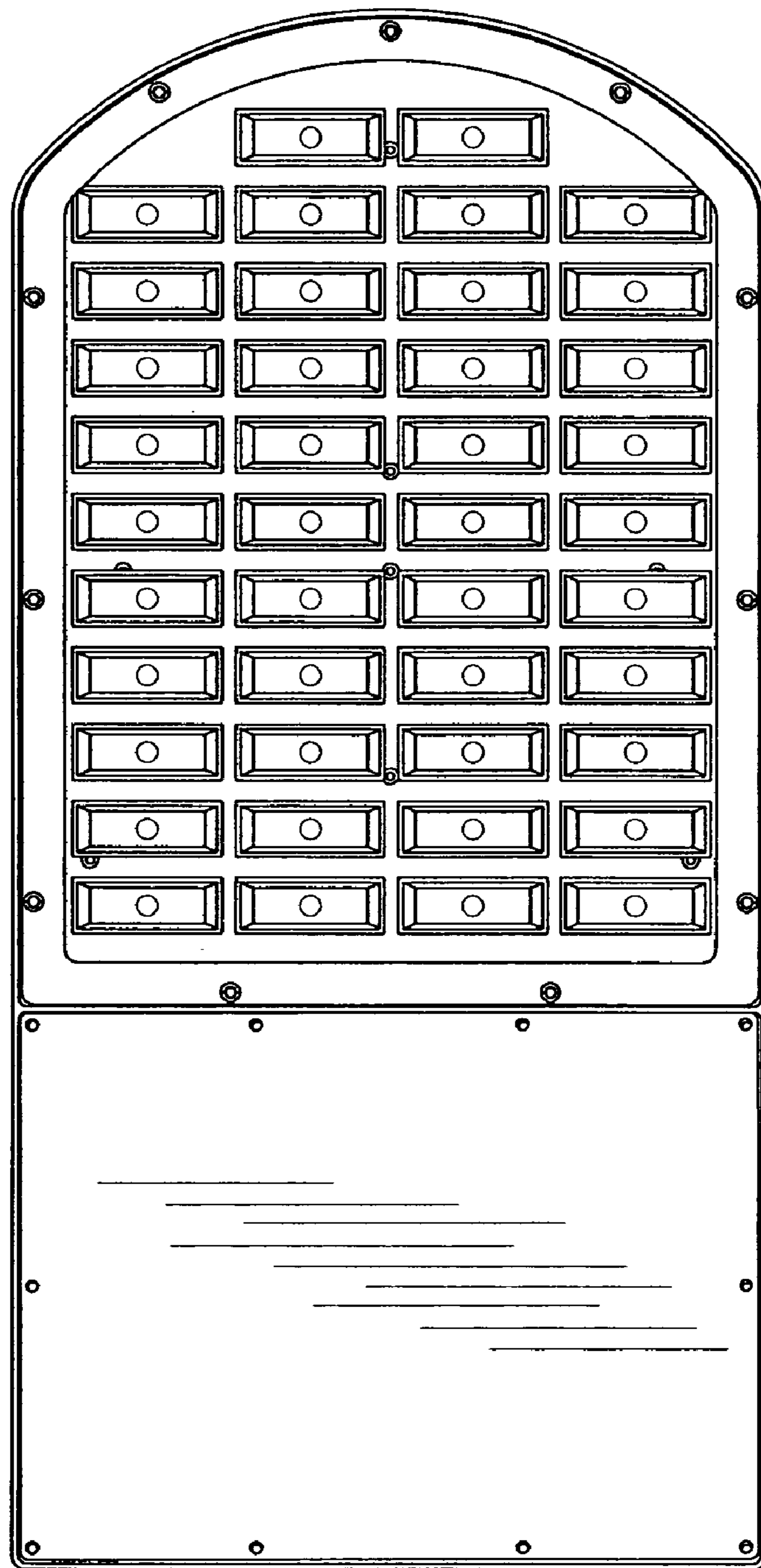


FIG.2

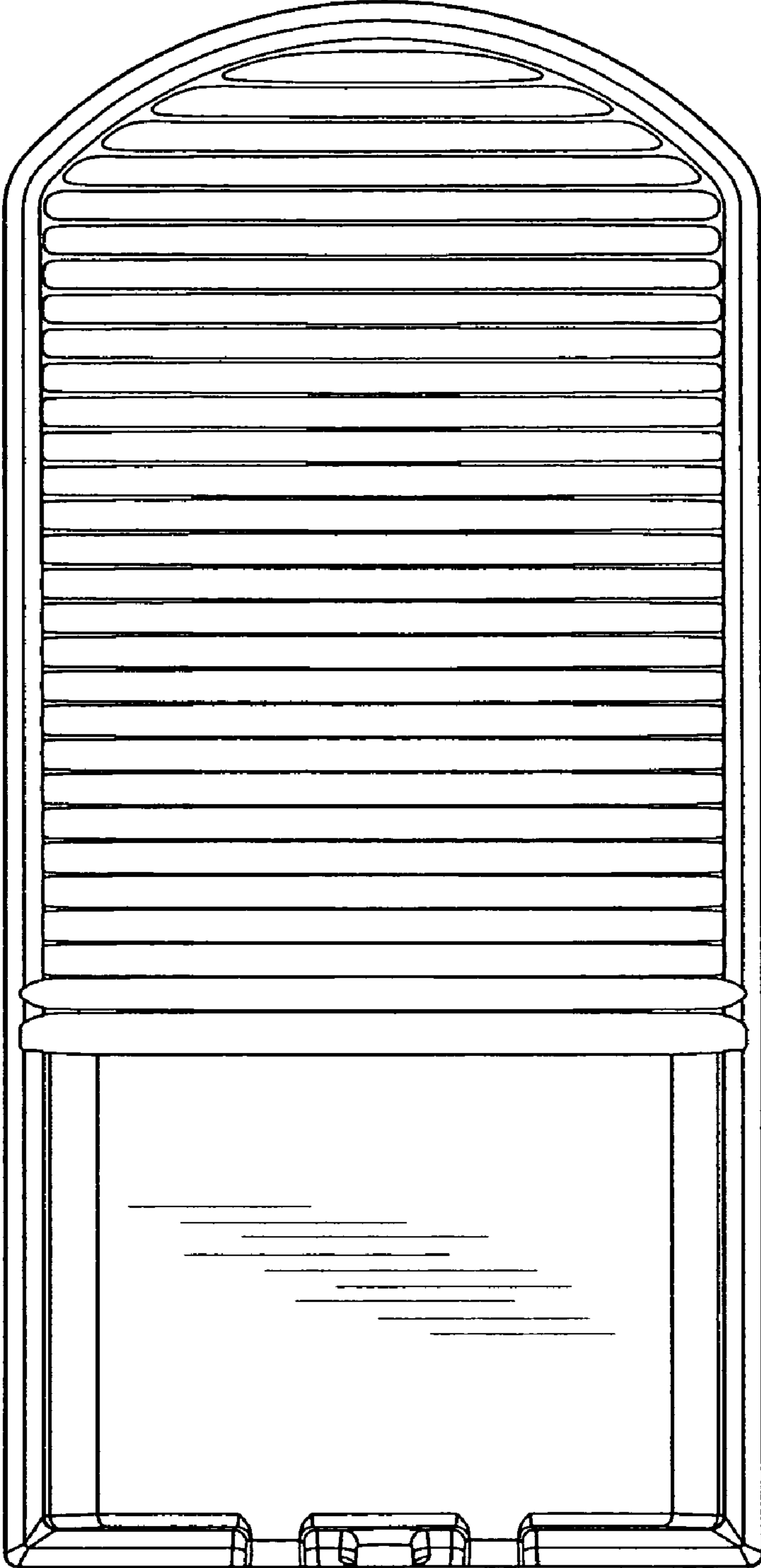


FIG.3

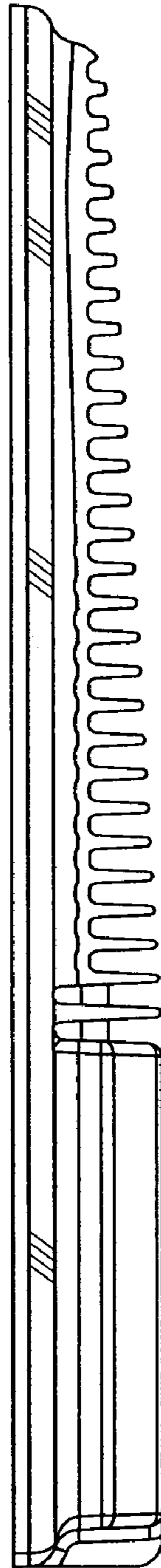


FIG.4



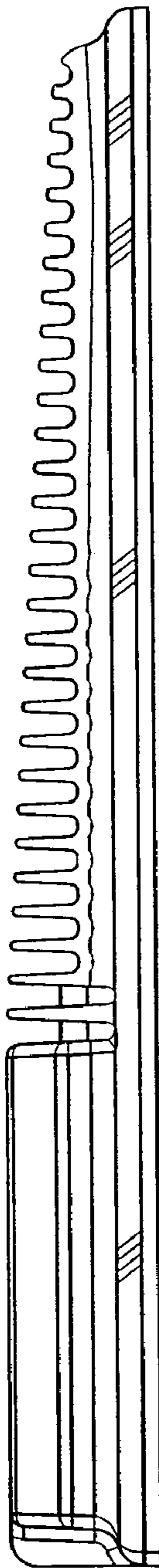


FIG.5

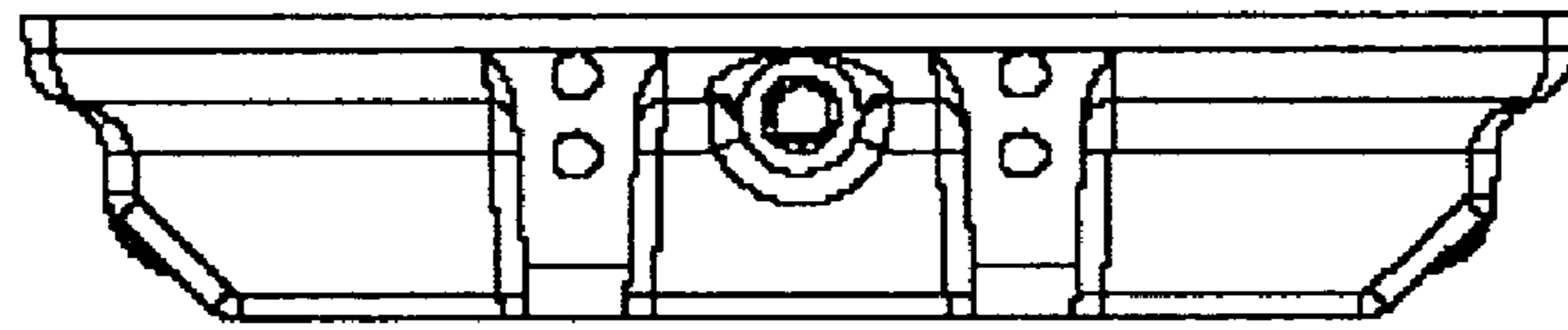


FIG.6

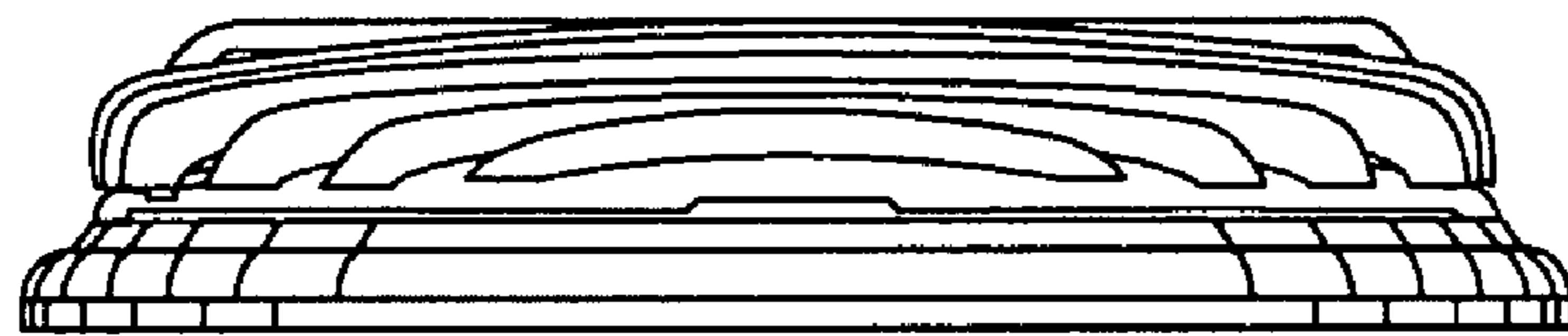


FIG. 7