



US00D580581S

(12) **United States Design Patent Grant**

(10) **Patent No.:** **US D580,581 S**

(45) **Date of Patent:** **\*\* Nov. 11, 2008**

(54) **LIGHTED POST CAP**

(75) Inventor: **Darcey Grant**, Kingsville (CA)

(73) Assignee: **Classy Caps Mfg. Inc.**, Kingsville, Ontario (CA)

(\*\*) Term: **14 Years**

(21) Appl. No.: **29/296,416**

(22) Filed: **Oct. 19, 2007**

(51) **LOC (8) Cl.** ..... **26-08**

(52) **U.S. Cl.** ..... **D26/68; D25/135**

(58) **Field of Classification Search** ..... D25/135; D26/68, 71; 52/28, 300, 301; 256/19, 20, 256/22, 65.01, 66, 65.11; 362/414

See application file for complete search history.

(56) **References Cited**

**U.S. PATENT DOCUMENTS**

164,979	A	6/1875	Davenport	
3,256,659	A	6/1966	Dudoff	
3,506,243	A	4/1970	Seiler	
D248,594	S *	7/1978	Tirsbier	..... D26/68
4,703,403	A	10/1987	Smith et al.	
4,722,514	A	2/1988	Pettit	
D316,452	S *	4/1991	Kira	..... D26/68
D377,229	S *	1/1997	Shalvi	..... D26/68
5,853,167	A	12/1998	West et al.	
5,934,035	A	8/1999	Rasmussen et al.	

D425,173	S *	5/2000	Landefeld	..... D26/68
D435,309	S *	12/2000	Landefeld	..... D26/68
6,328,457	B1	12/2001	Huang	
6,330,998	B1	12/2001	Roy	
D460,570	S	7/2002	Grant	
6,581,335	B2	6/2003	Grant	
D509,915	S *	9/2005	Rosian	..... D25/135

\* cited by examiner

*Primary Examiner*—Doris Clark

(74) *Attorney, Agent, or Firm*—Harness, Dickey & Pierce, P.L.C.

(57) **CLAIM**

I claim the ornamental design for a lighted post cap, as shown and described.

**DESCRIPTION**

FIG. 1 is a perspective view of a lighted post cap in accordance with the present invention;

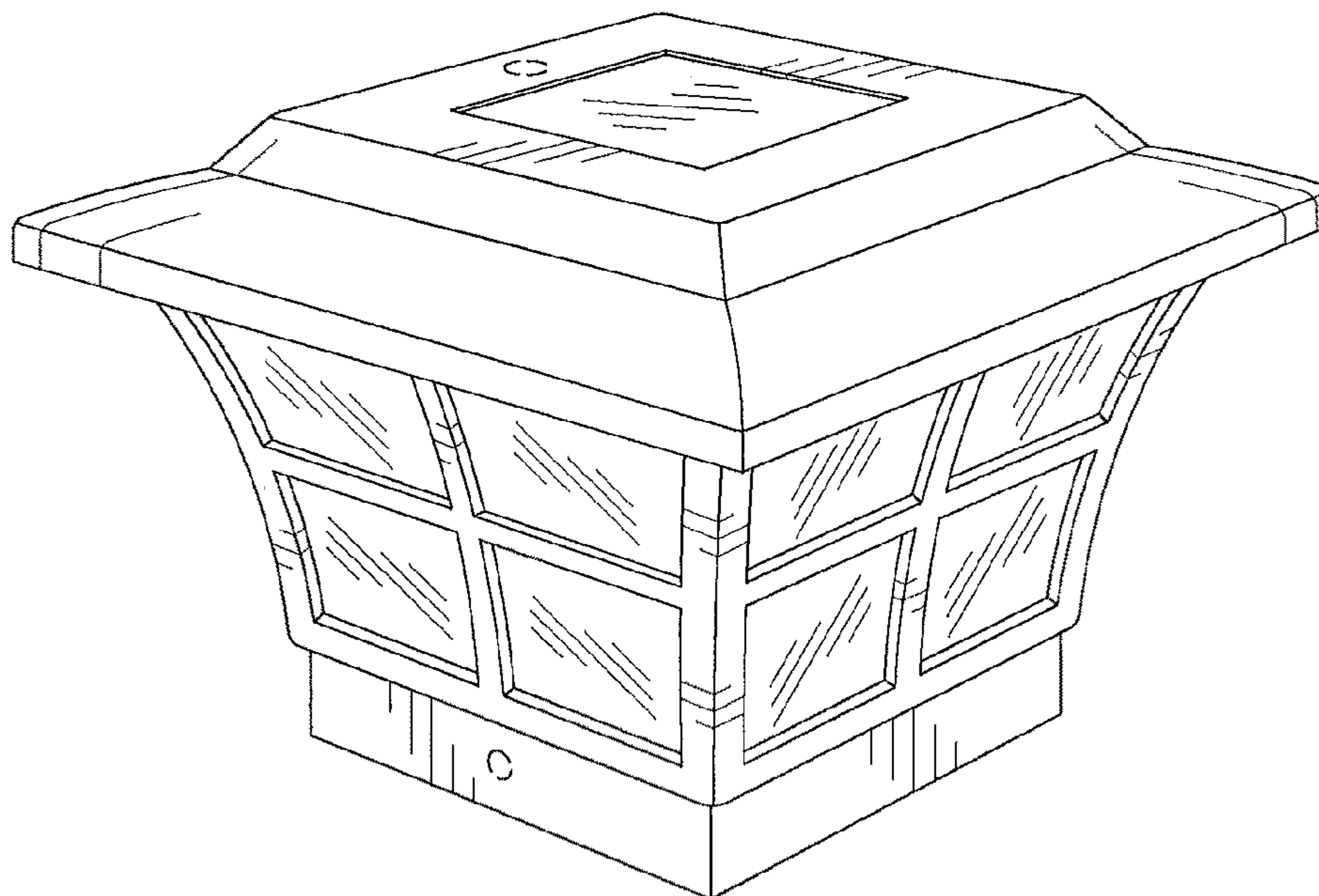
FIG. 2 is a top plan view of the present invention;

FIG. 3 is a side elevational view of the present invention; and,

FIG. 4 is a bottom plan view of the present invention, portions not shown in this view form no part of the claimed invention.

The purpose of the broken lines in the drawings indicates environmental structure that forms no part of the claimed invention.

**1 Claim, 2 Drawing Sheets**



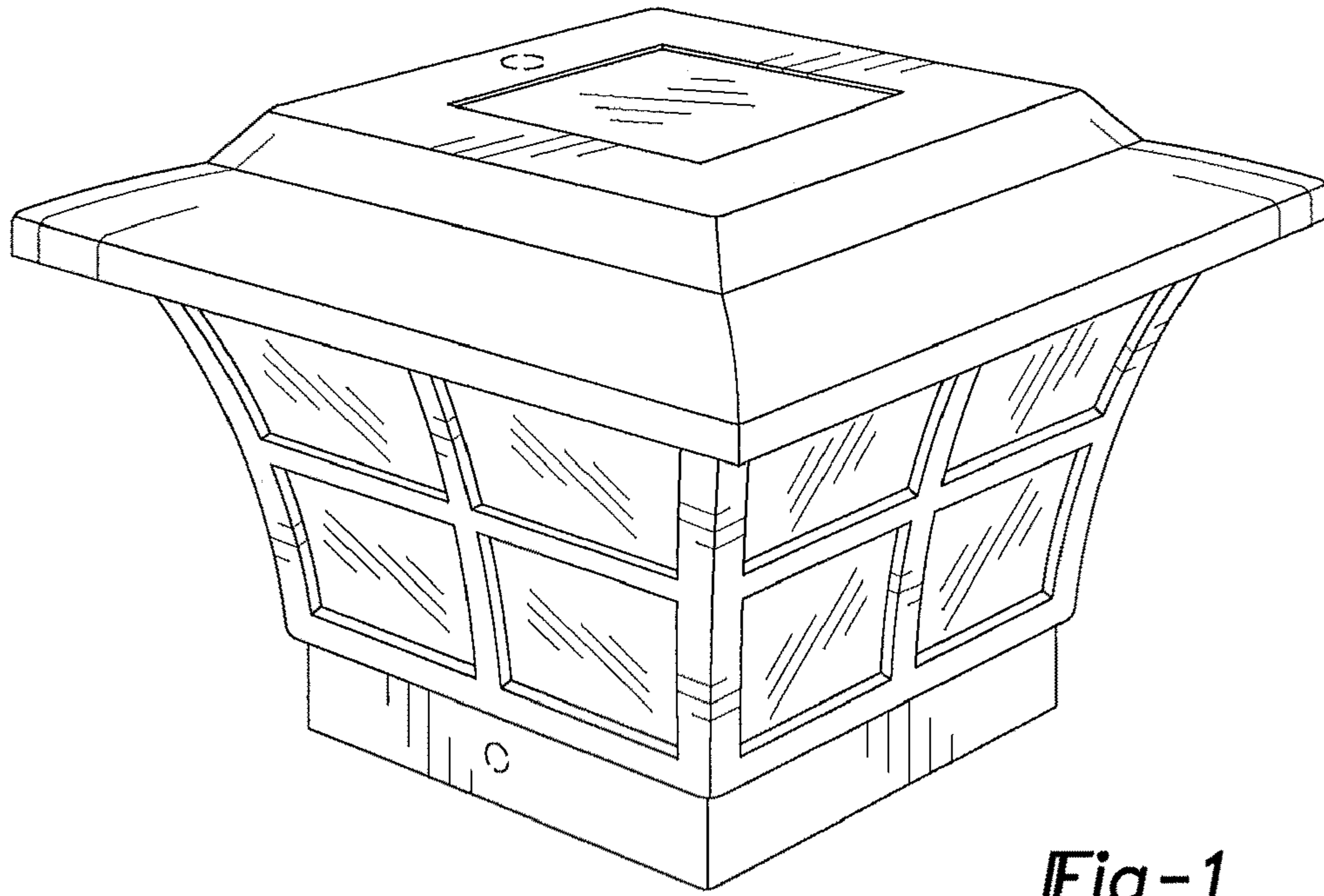


Fig-1

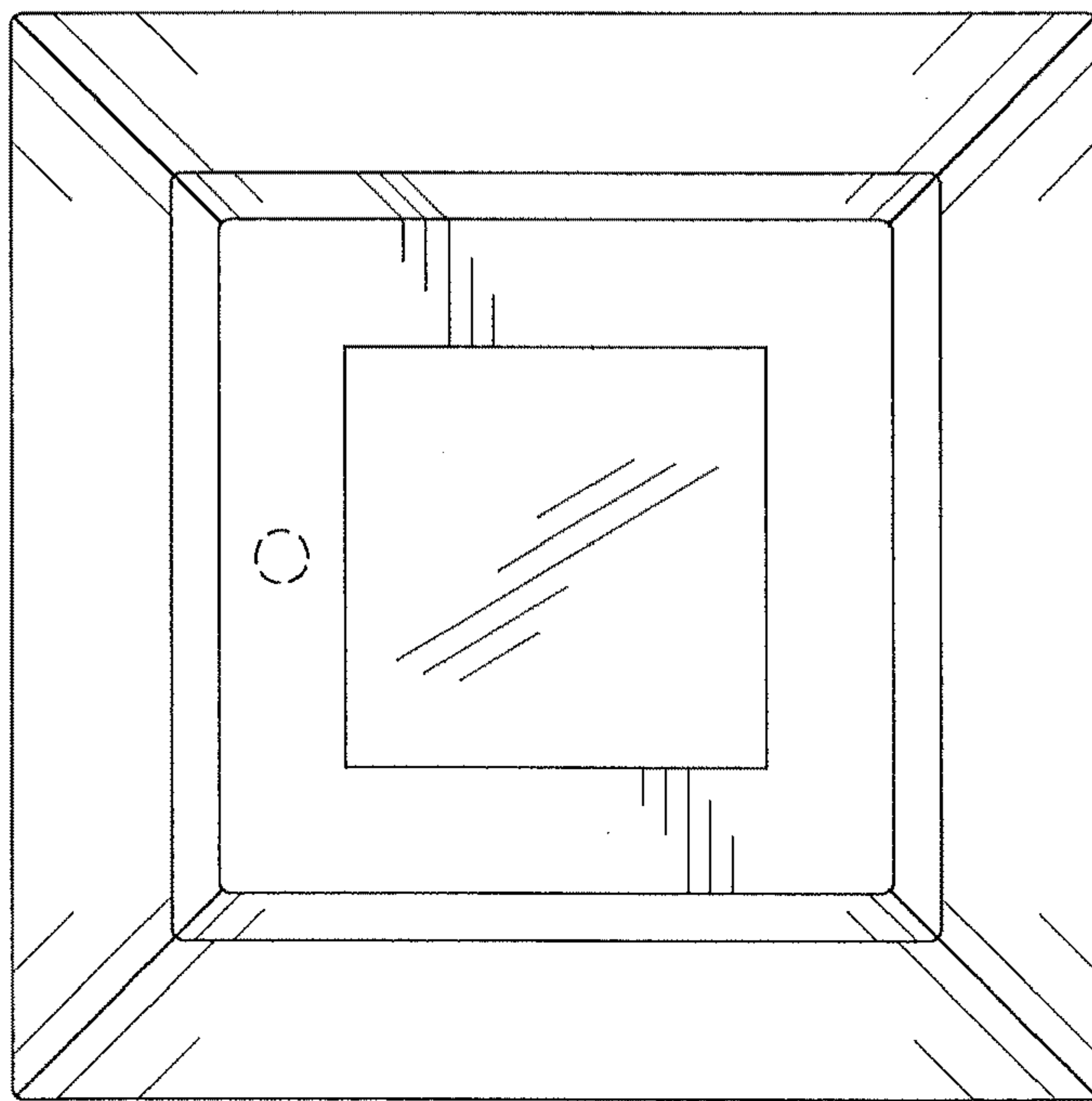


Fig-2

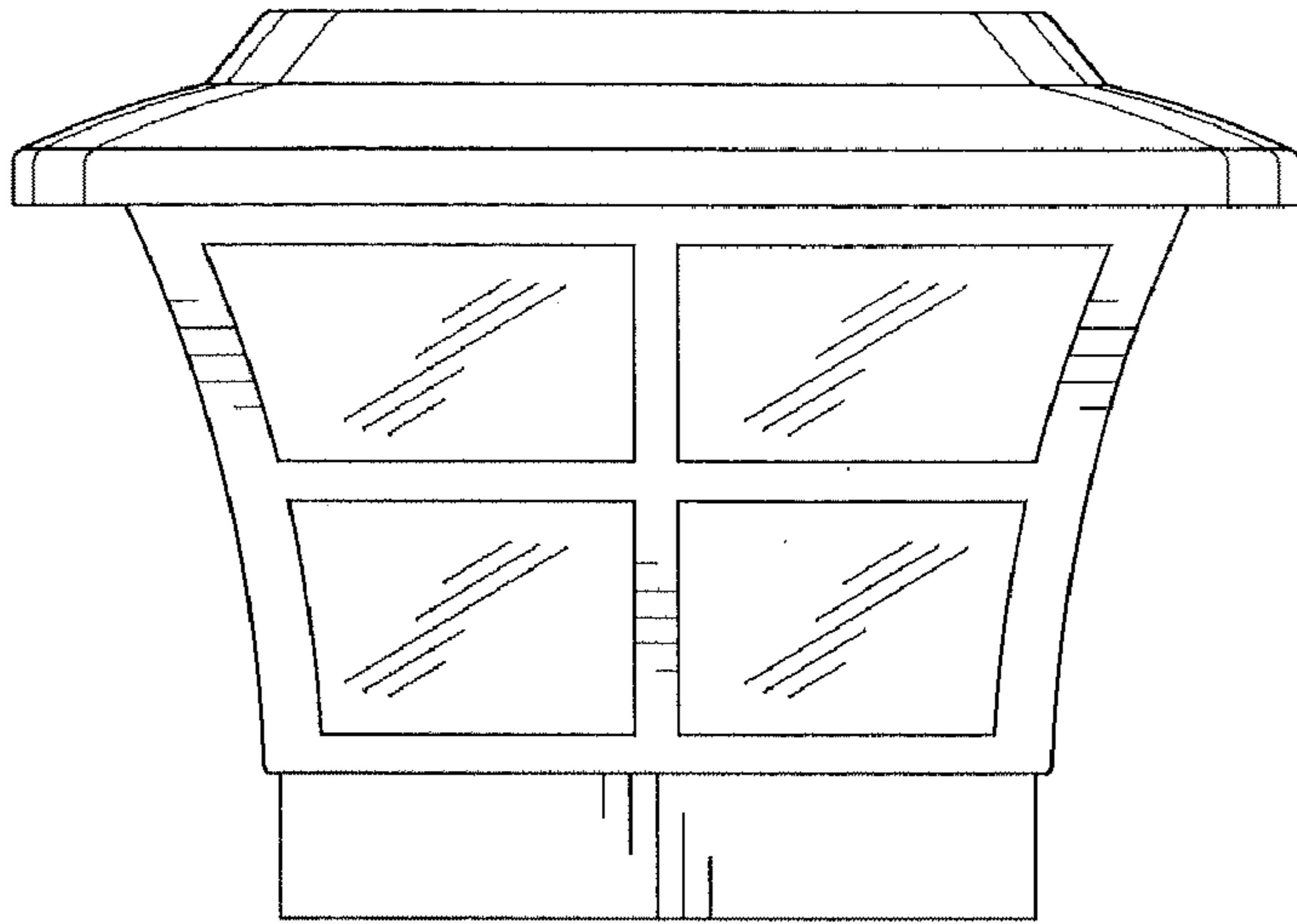


Fig-3

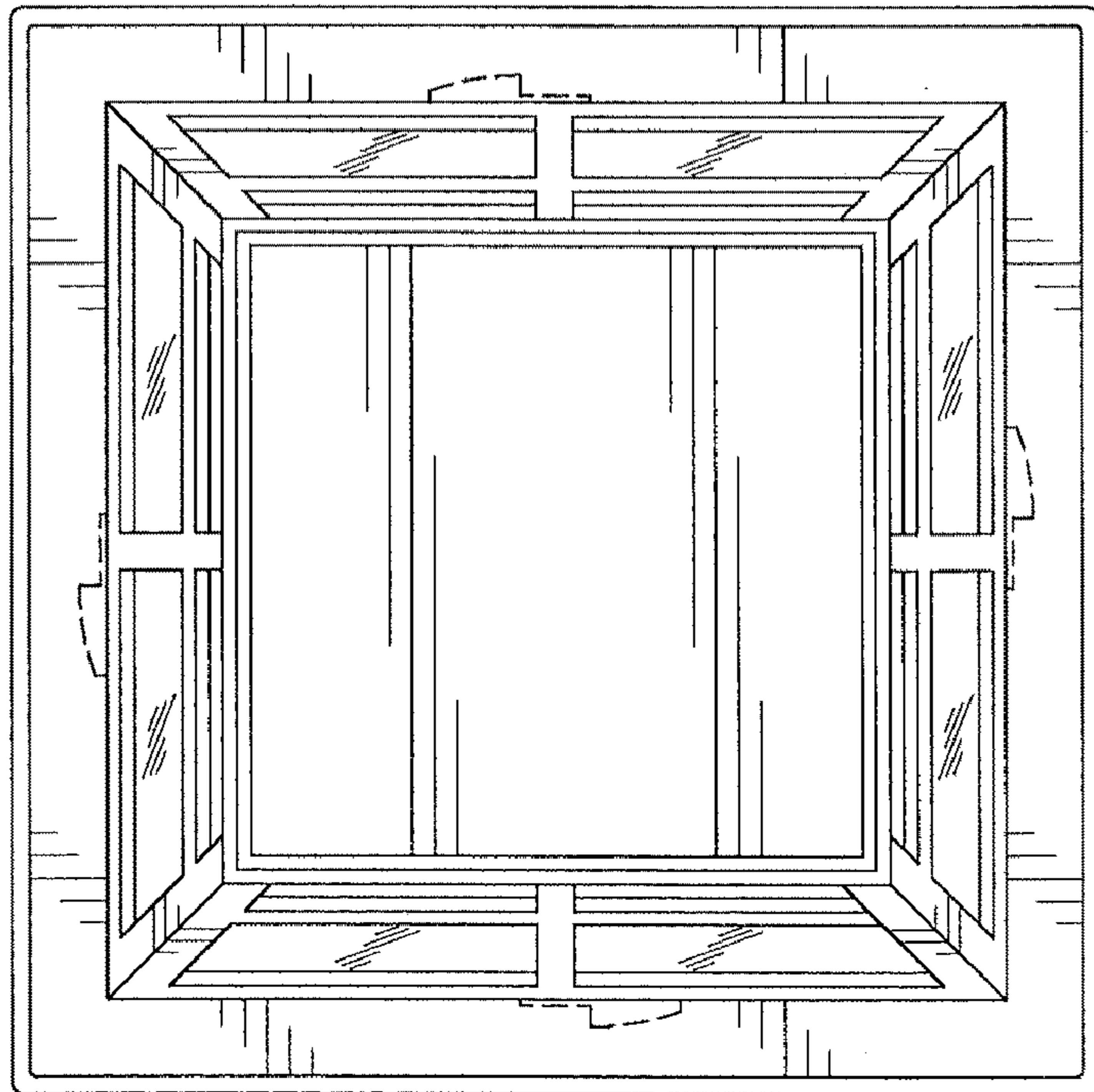


Fig-4