



US00D580580S

(12) **United States Design Patent**
Lodhie

(10) **Patent No.:** **US D580,580 S**

(45) **Date of Patent:** **** Nov. 11, 2008**

(54) **CIRCULAR LIGHT STRUCTURE**

(76) **Inventor:** **Pervaiz Lodhie**, 12 upper Blackwater Canyon Rd., Rolling Hills, CA (US) 90274

(**) **Term:** **14 Years**

(21) **Appl. No.:** **29/302,219**

(22) **Filed:** **Jan. 11, 2008**

(51) **LOC (8) Cl.** **26-05**

(52) **U.S. Cl.** **D26/67; D26/79**

(58) **Field of Classification Search** D26/67-71, D26/87, 92, 79; 362/145, 249, 252, 431, 362/432

See application file for complete search history.

(56) **References Cited**

U.S. PATENT DOCUMENTS

1,800,078	A	4/1931	Johnson	
1,838,789	A	12/1931	Schepperle	
2,260,473	A	10/1941	Minchillo	
2,408,643	A	10/1946	Hoy	
D173,500	S *	11/1954	Kruger et al.	D26/79
D191,128	S *	8/1961	Curtin et al.	D26/67
D192,125	S *	1/1962	Lasker	D26/67
D195,310	S	5/1963	Zagel	
3,156,418	A *	11/1964	Jablonski et al.	362/431
3,183,346	A	5/1965	Spaulding et al.	
3,474,381	A	10/1969	Baldwin	
3,539,801	A	11/1970	Bobrick	
3,603,918	A	9/1971	Woertz	
3,718,816	A	2/1973	Seelbach et al.	
3,980,368	A	9/1976	Fremont	
4,190,309	A	2/1980	Glass	
4,211,955	A	7/1980	Ray	
4,214,295	A	7/1980	Morton	
4,217,018	A	8/1980	Yoshida et al.	

D259,961	S *	7/1981	Wotowiec et al.	D26/26
D261,060	S *	9/1981	Wotowiec et al.	D26/93
4,655,520	A	4/1987	Cummings	
4,727,289	A	2/1988	Uchida	
4,729,742	A	3/1988	Onishi et al.	
4,772,869	A	9/1988	Grammas et al.	

(Continued)

OTHER PUBLICATIONS

Four (4) photographs of an LED light fixture that is commercially available.

(Continued)

Primary Examiner—Clare E Heflin

(74) *Attorney, Agent, or Firm*—Connolly Bovel Lodge & Hutz LLP

(57) **CLAIM**

The ornamental design for a circular light structure, as shown and described.

DESCRIPTION

FIG. 1 is a side view of the circular light structure showing the new design;

FIG. 2 is a front view thereof;

FIG. 3 is a top plan view thereof;

FIG. 4 is a bottom plan view thereof;

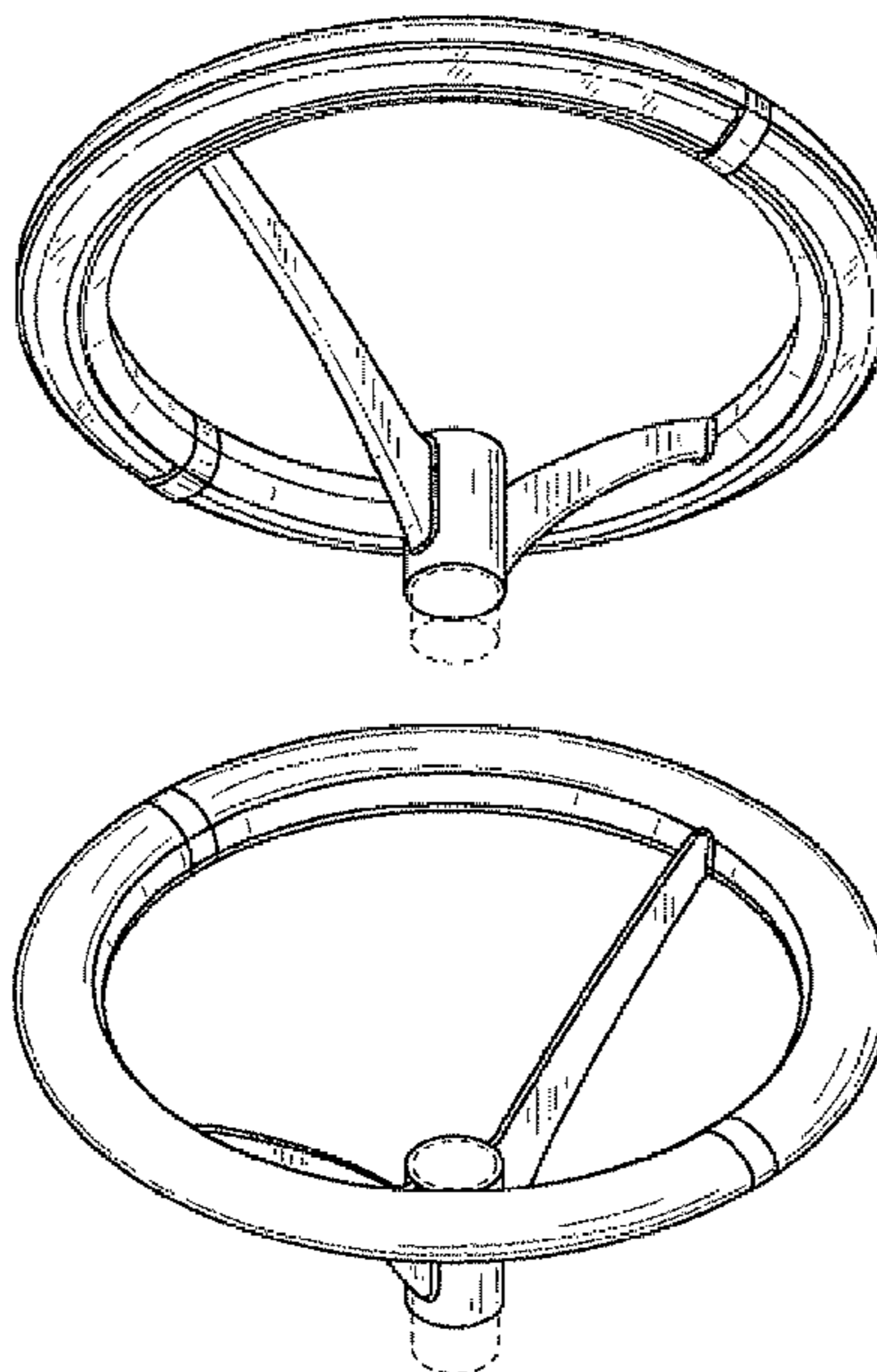
FIG. 5 is a bottom perspective view thereof;

FIG. 6 is a top perspective view thereof; and,

FIG. 7 is a side view thereof showing the design mounted on a street post.

The interior center post in FIGS. 1-6 and the street post in FIG. 7, are both shown in broken lines for illustrative purposes only and form no part of the claimed design.

1 Claim, 4 Drawing Sheets



US D580,580 S

Page 2

U.S. PATENT DOCUMENTS

4,812,814 A	3/1989	Elliott	5,921,660 A	7/1999	Yu		
4,868,719 A	9/1989	Kouchi et al.	5,929,788 A	7/1999	Vukosic		
4,907,361 A	3/1990	Villard	5,947,588 A	9/1999	Huang		
4,965,457 A	10/1990	Wrobel	5,964,051 A	10/1999	Loeber et al.		
5,055,984 A	10/1991	Hung et al.	5,984,494 A	11/1999	Chapman et al.		
D326,532 S	5/1992	Hume et al.	6,011,493 A	1/2000	Bushell et al.		
5,119,174 A	6/1992	Chen	6,013,985 A	1/2000	Green et al.		
5,151,679 A	9/1992	Dimmick	D434,510 S	11/2000	Lodhie		
5,152,601 A	10/1992	Ferng	6,152,568 A	11/2000	Baba et al.		
5,154,509 A	10/1992	Wulfman et al.	D441,115 S *	4/2001	Ewing	D26/68	
5,160,200 A	11/1992	Cheselske	6,220,722 B1	4/2001	Begemann		
5,160,201 A	11/1992	Wrobel	6,227,679 B1	5/2001	Zhang et al.		
5,193,904 A	3/1993	Rist et al.	6,234,648 B1	5/2001	Borner et al.		
5,224,773 A	7/1993	Arimura	6,283,612 B1	9/2001	Hunter		
5,237,490 A	8/1993	Ferng	6,336,613 B1	1/2002	Roth		
5,241,457 A	8/1993	Sasajima et al.	6,345,902 B2	2/2002	Ohkohdo et al.		
5,303,124 A	4/1994	Wrobel	6,371,636 B1	4/2002	Wesson		
5,353,209 A	10/1994	Foottit	6,457,270 B1	10/2002	Stark, III et al.		
5,390,092 A	2/1995	Lin	6,457,410 B1	10/2002	Zerillo		
5,400,228 A	3/1995	Kao	6,550,949 B1	4/2003	Bauer et al.		
5,410,453 A	4/1995	Ruskouski	8,580,228	6/2003	Chen et al.		
5,453,729 A	9/1995	Chu	6,598,996 B1	7/2003	Lodhie		
5,526,236 A	6/1996	Burnes et al.	6,659,622 B2	12/2003	Katogi et al.		
5,567,036 A	10/1996	Theobald et al.	6,659,623 B2	12/2003	Friend		
5,577,832 A	11/1996	Lodhie	6,659,632 B2	12/2003	Chen		
5,580,161 A *	12/1996	Vakil et al.	6,700,502 B1	3/2004	Pederson		
5,585,783 A	12/1996	Hall	6,722,771 B1	4/2004	Stephens		
5,588,740 A	12/1996	Kasuga	6,768,047 B2	7/2004	Chang et al.		
5,599,086 A	2/1997	Dutta	6,814,459 B2	11/2004	Pederson		
5,629,607 A	5/1997	Callahan et al.	D504,536 S *	4/2005	Emory et al.	D26/67	
5,647,658 A	7/1997	Ziadi	6,942,361 B1	9/2005	Kishimura et al.		
5,661,374 A	8/1997	Cassidy et al.	7,063,451 B2	6/2006	Shen		
5,661,645 A	8/1997	Hochstein	7,111,957 B2	9/2006	Bernhart et al.		
D385,051 S	10/1997	Wu	7,234,832 B2	6/2007	Lippis et al.		
5,702,177 A	12/1997	Lin	7,237,932 B2	7/2007	Ter-Hovhannissian		
D388,726 S	1/1998	Wu	2002/0163805 A1	11/2002	Hubbell et al.		
5,710,560 A	1/1998	Cohn	2002/0171543 A1	11/2002	Abbe et al.		
5,765,940 A	6/1998	Levy et al.	2002/0196707 A1	12/2002	Kitchin et al.		
5,772,315 A	6/1998	Shen	2003/0095404 A1	5/2003	Becks et al.		
5,793,164 A	8/1998	Authier	2004/0012959 A1	1/2004	Robertson et al.		
5,803,585 A	9/1998	Littman et al.	2004/0062041 A1	4/2004	Cross et al.		
5,806,965 A	9/1998	Deese	2006/0109661 A1	5/2006	Coushaine et al.		
D402,772 S	12/1998	Lodhie					
5,842,297 A	12/1998	Tung					
D404,506 S	1/1999	Lodhie					
5,855,268 A	1/1999	Zoladz, Jr.					
D405,201 S	2/1999	Lodhie					
5,887,968 A	3/1999	Logan					

OTHER PUBLICATIONS

LED light fixtures available on the following website: www.hollysolar.com.

LED light fixtures available on the following website: www.geblighting.com.

* cited by examiner

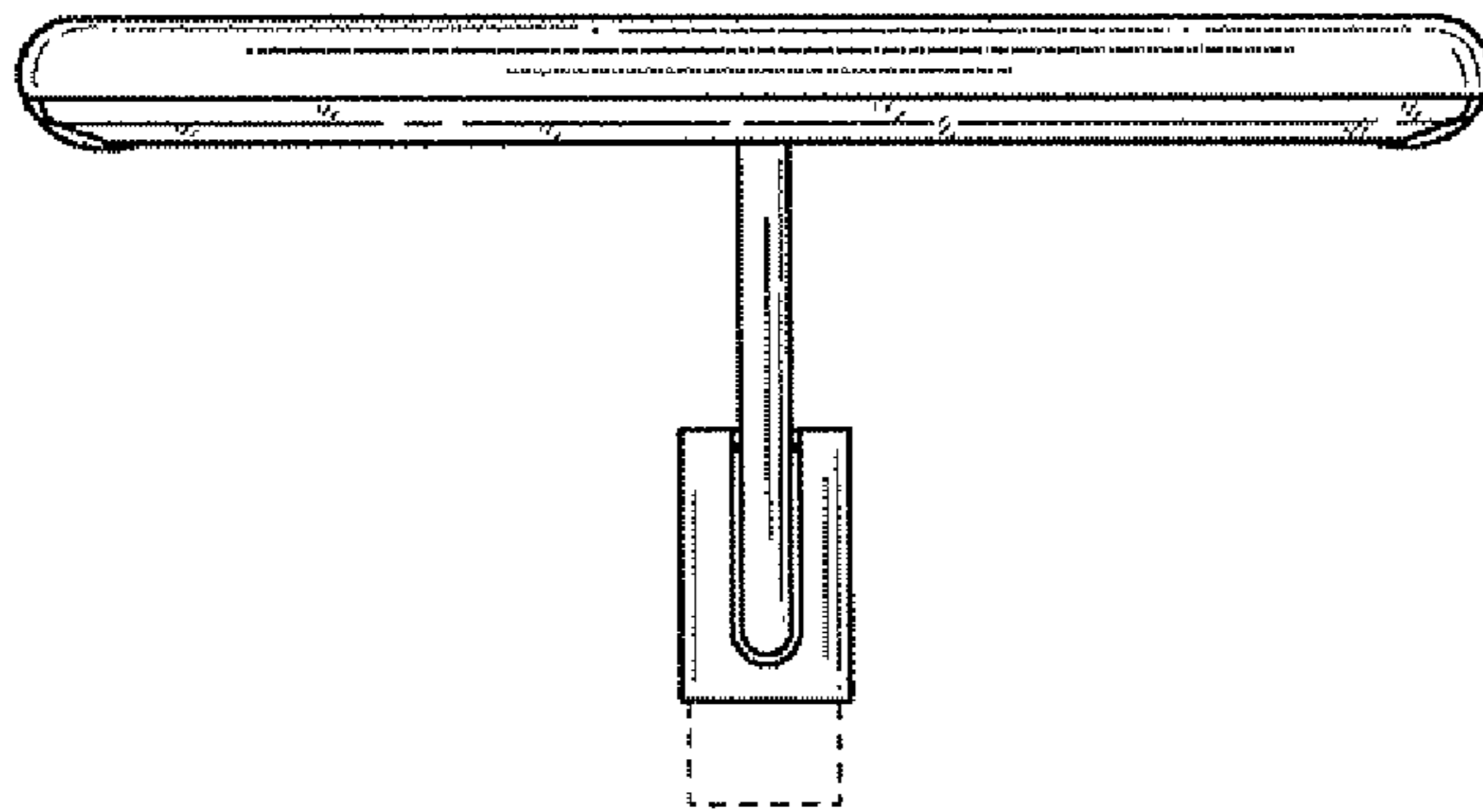


FIG. 1

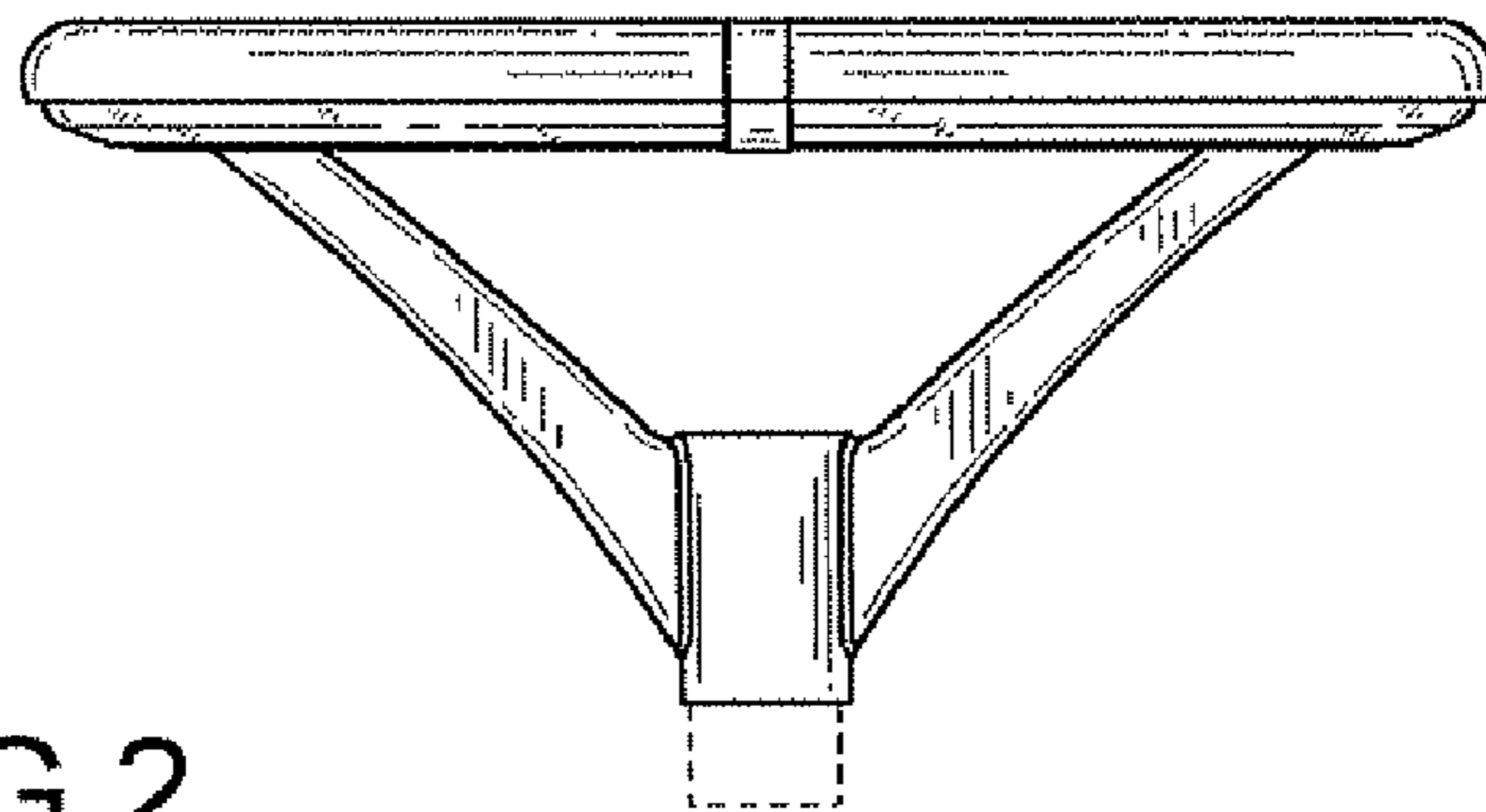


FIG. 2

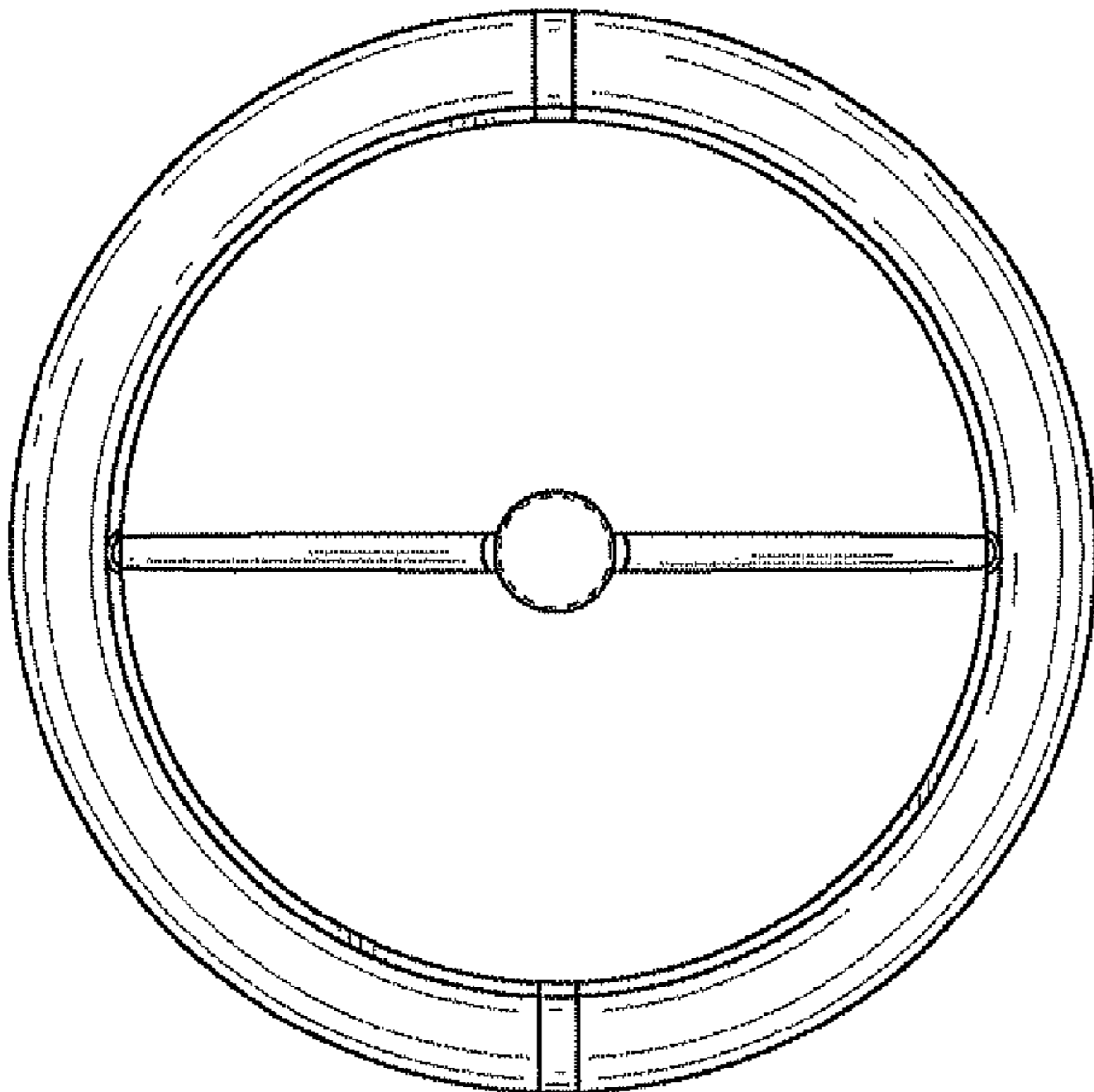


FIG.3

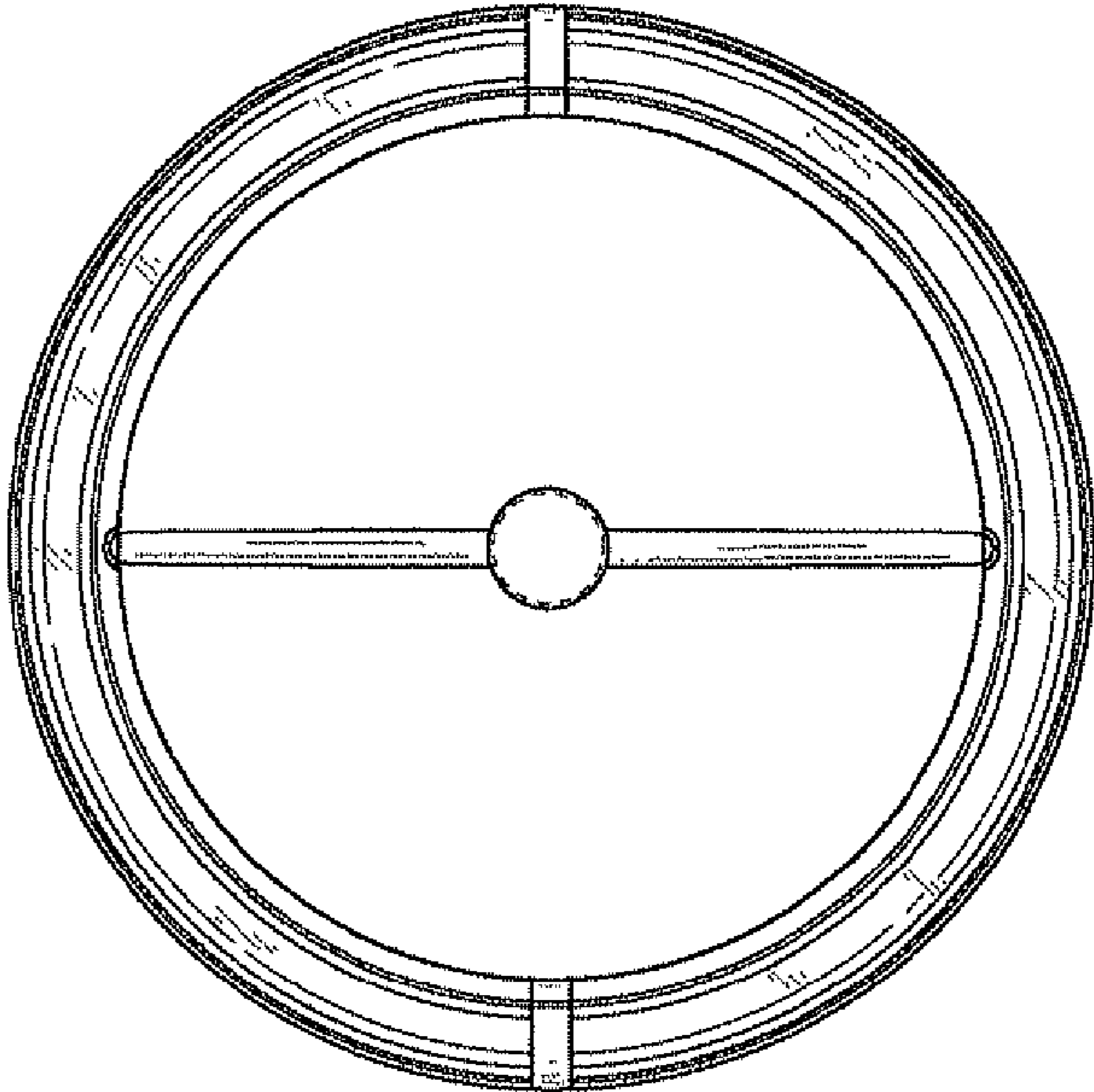


FIG.4

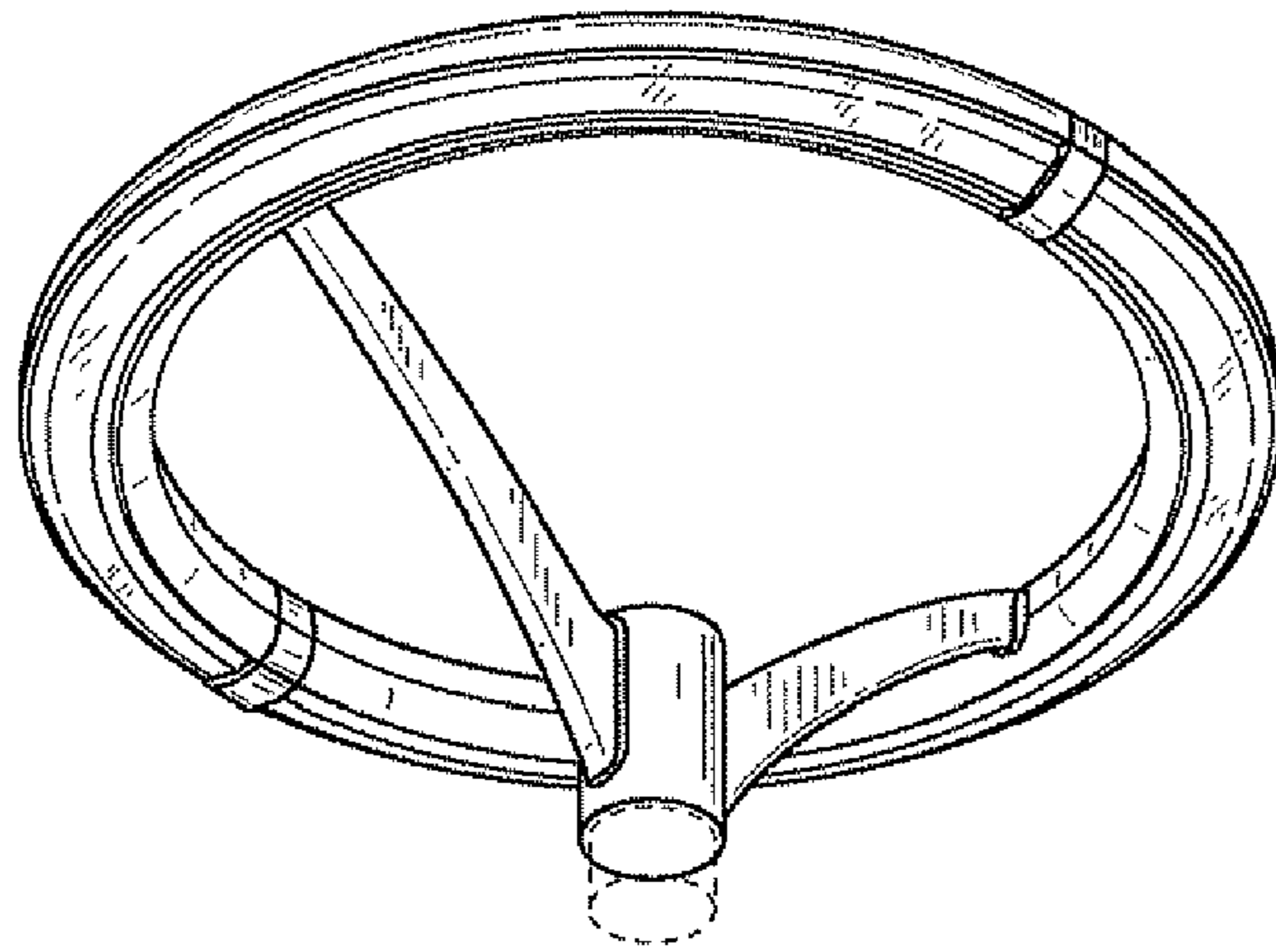


FIG. 5

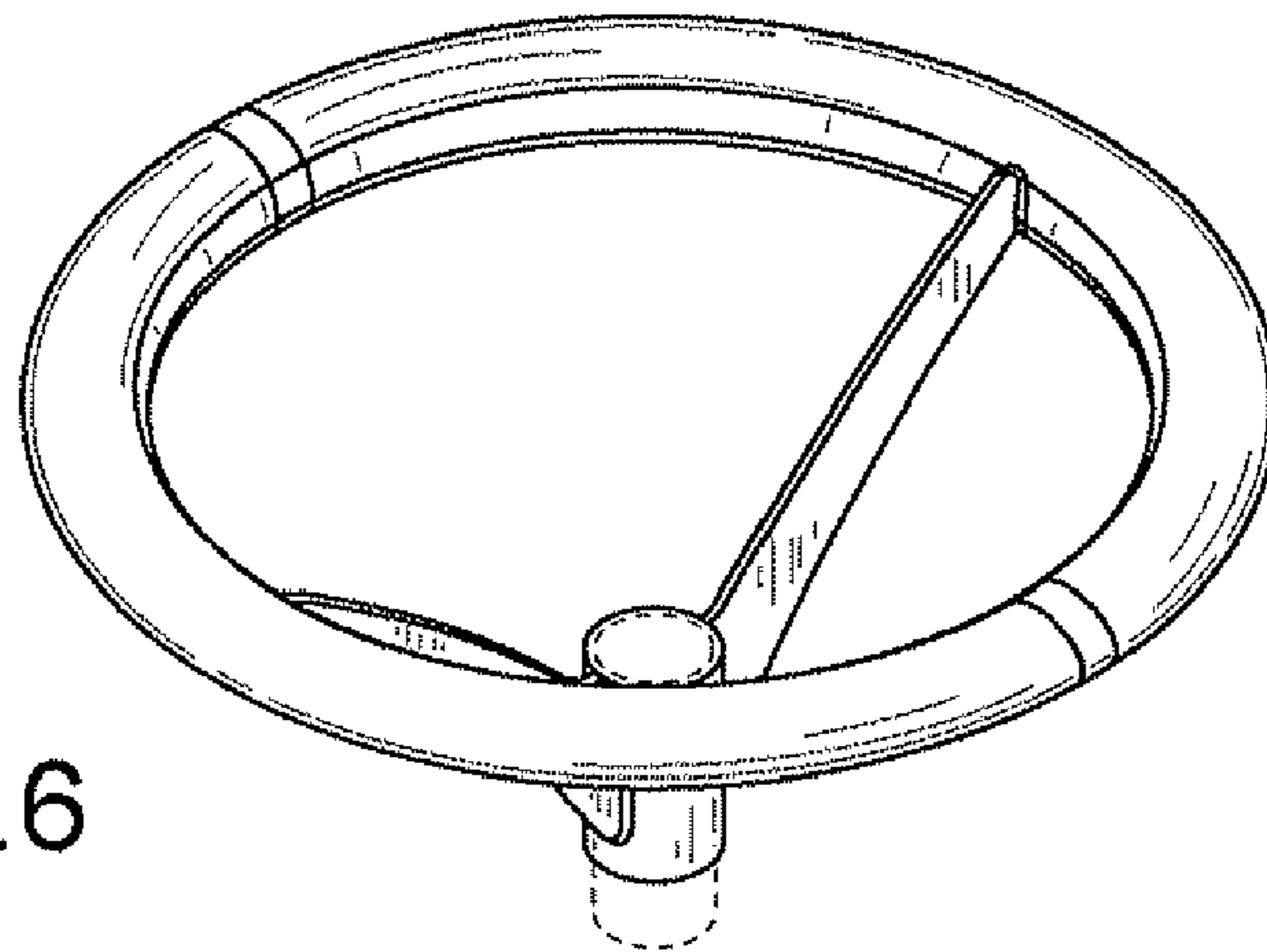


FIG. 6

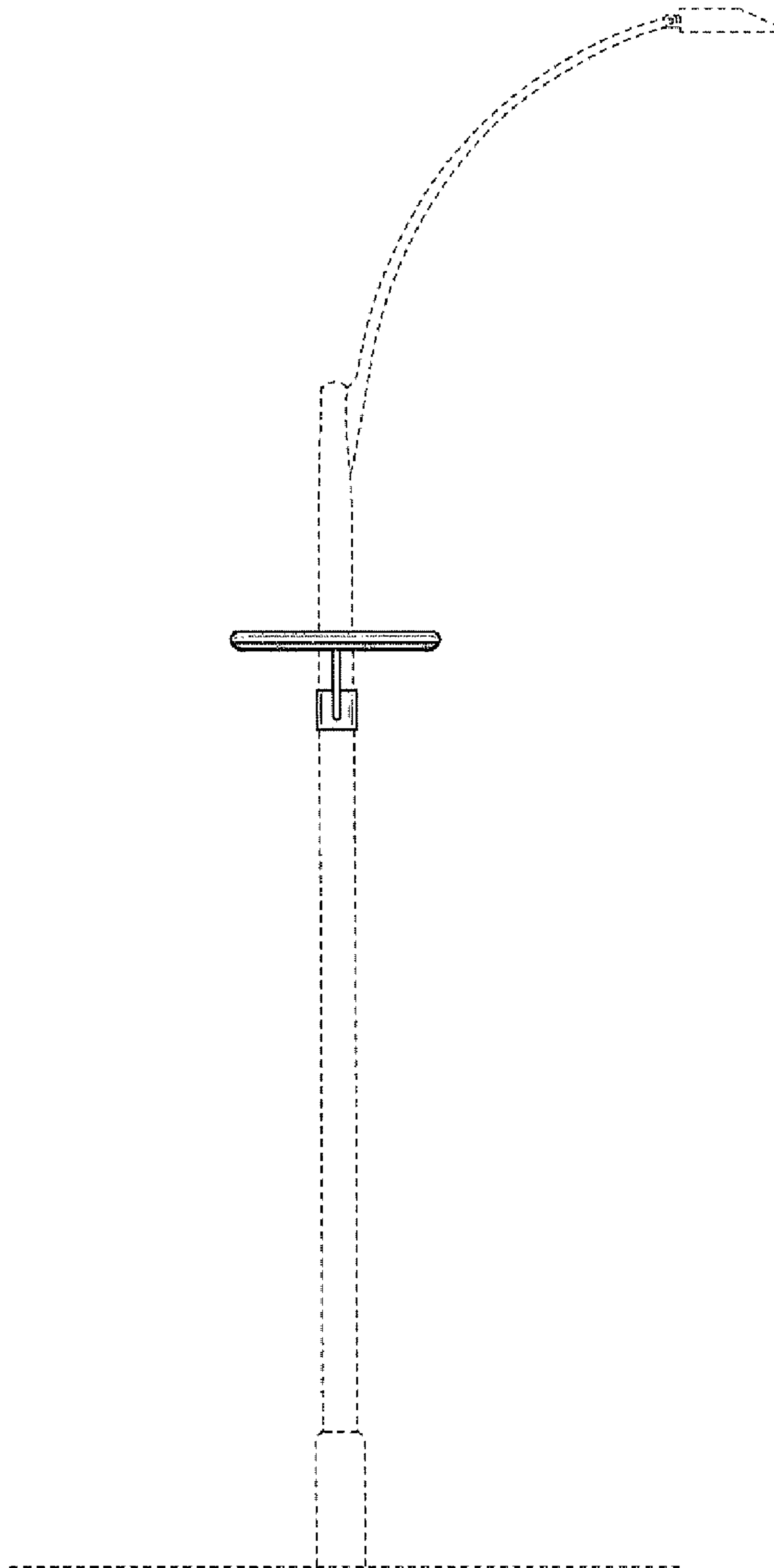


FIG. 7