



US00D580579S

(12) **United States Design Patent**  
**Love et al.**

(10) **Patent No.:** **US D580,579 S**

(45) **Date of Patent:** **\*\* Nov. 11, 2008**

(54) **LED SOLAR DECK LIGHT**

(75) Inventors: **Brian Keith Love**, Davie, FL (US);  
**Chad J. Ricker**, North Lauderdale, FL  
(US)

(73) Assignee: **Chien Luen Industries Co., Ltd., Inc.**,  
Fort Lauderdale, FL (US)

(\*\*) Term: **14 Years**

(21) Appl. No.: **29/285,125**

(22) Filed: **Mar. 21, 2007**

(51) **LOC (8) Cl.** ..... **26-05**

(52) **U.S. Cl.** ..... **D26/67**

(58) **Field of Classification Search** ..... D26/58,  
D26/67; 362/145, 146, 153, 153.1, 370,  
362/612; 52/28

See application file for complete search history.

(56) **References Cited**

**U.S. PATENT DOCUMENTS**

D195,504 S	6/1963	Waite	.....	D13/7
3,678,635 A *	7/1972	Vagi et al.	.....	52/28
3,745,327 A *	7/1973	Lowery et al.	.....	362/311
4,625,266 A *	11/1986	Winter	.....	362/146
5,430,627 A	7/1995	Nagano	.....	362/146
D389,588 S	1/1998	Dunk	.....	D25/69
5,904,017 A	5/1999	Glatz et al.	.....	52/287.1
5,918,962 A *	7/1999	Nagano	.....	362/146
6,082,870 A	7/2000	George	.....	362/146
6,141,920 A	11/2000	Kemper	.....	52/179
D447,249 S	8/2001	Chang et al.	.....	D25/69
6,416,200 B1 *	7/2002	George	.....	362/146
6,554,446 B1 *	4/2003	Walsh et al.	.....	362/146
6,606,827 B1	8/2003	Hoffmann	.....	52/28
6,776,508 B2	8/2004	Bucher et al.	.....	362/293
D497,022 S	10/2004	Bucher et al.	.....	D26/67
D500,876 S	1/2005	Bucher et al.	.....	D26/67
6,948,826 B2	9/2005	Fogerlie	.....	362/183
D517,716 S	3/2006	Bucher et al.	.....	D26/67

D518,219 S	3/2006	Bucher et al.	.....	D26/67
D519,648 S	4/2006	Enersen	.....	D25/69
D527,482 S	8/2006	Bucher et al.	.....	D26/67
D528,243 S	9/2006	Bucher et al.	.....	D26/68
2005/0286265 A1 *	12/2005	Zampini et al.	.....	362/612
2008/0062679 A1 *	3/2008	Hartman	.....	362/145

**OTHER PUBLICATIONS**

Solar Step Light [online] NexTag Comparison Shopping, Solar Step Light-Home & Garden—Compare Prices, Reviews and Buy at NexTag-Pric . . . , 4 pages [retrieved on Mar. 20, 2007] Retrieved from: <http://209.85.165.104/search?q=cache:fNQnrgsM32sJ:www.nextag.com/solar-step-light/se...>

Solar Step Light, [online] Alibaba.com, Solar Step Light (Acme Electric Appliance Co., Ltd, Taiwan), 3 pages, [retrieved on Mar. 20, 2007] Retrieved from: <http://209.85.165.107/search?q=cache:iYKfh33BfS8J:www.alibaba.com/catalog/11136349...>

\* cited by examiner

*Primary Examiner*—Clare E Heflin

(74) *Attorney, Agent, or Firm*—Brian S. Steinberger; Law Offices of Brian S. Steinberger, P.A.

(57) **CLAIM**

The ornamental design for an LED solar deck light, as shown and described.

**DESCRIPTION**

FIG. 1 is a top, front and left side perspective view of the LED solar deck light showing the new design;

FIG. 2 is a front view thereof;

FIG. 3 is a rear view thereof;

FIG. 4 is a left side view thereof;

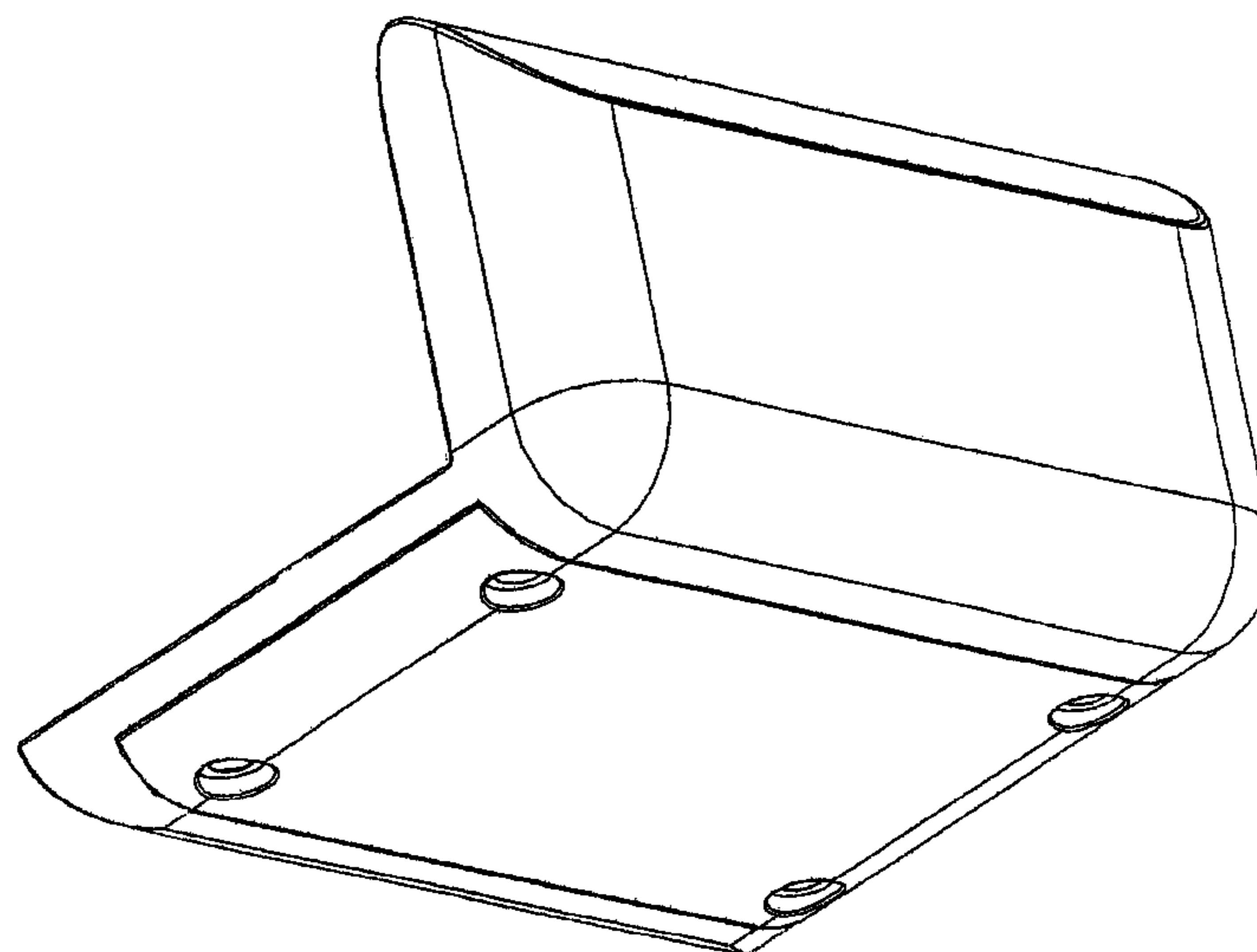
FIG. 5 is a right side view thereof;

FIG. 6 is a top view thereof;

FIG. 7 is a bottom view thereof; and,

FIG. 8 is an exploded view thereof.

**1 Claim, 8 Drawing Sheets**



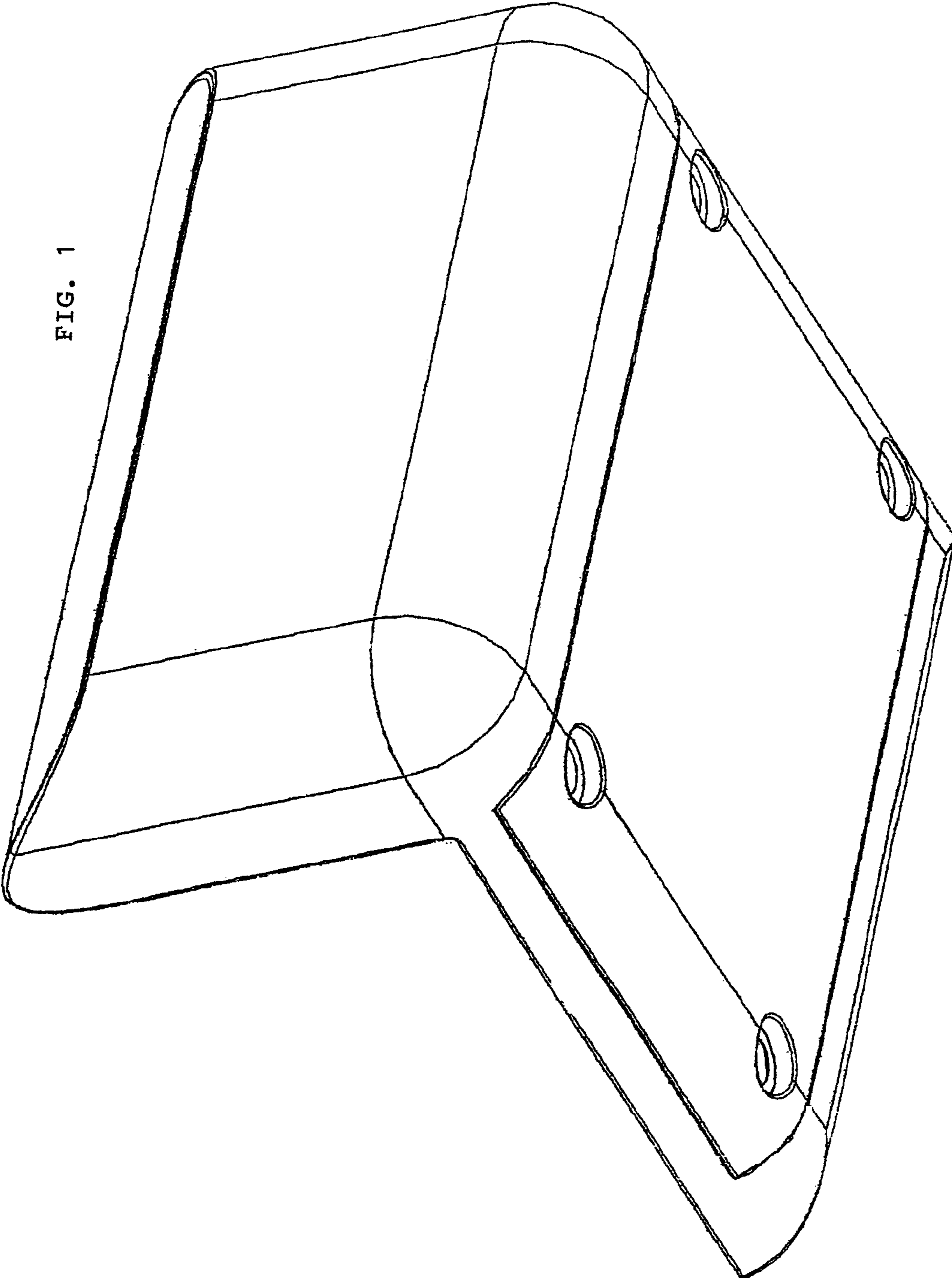


FIG. 1

FIG. 2

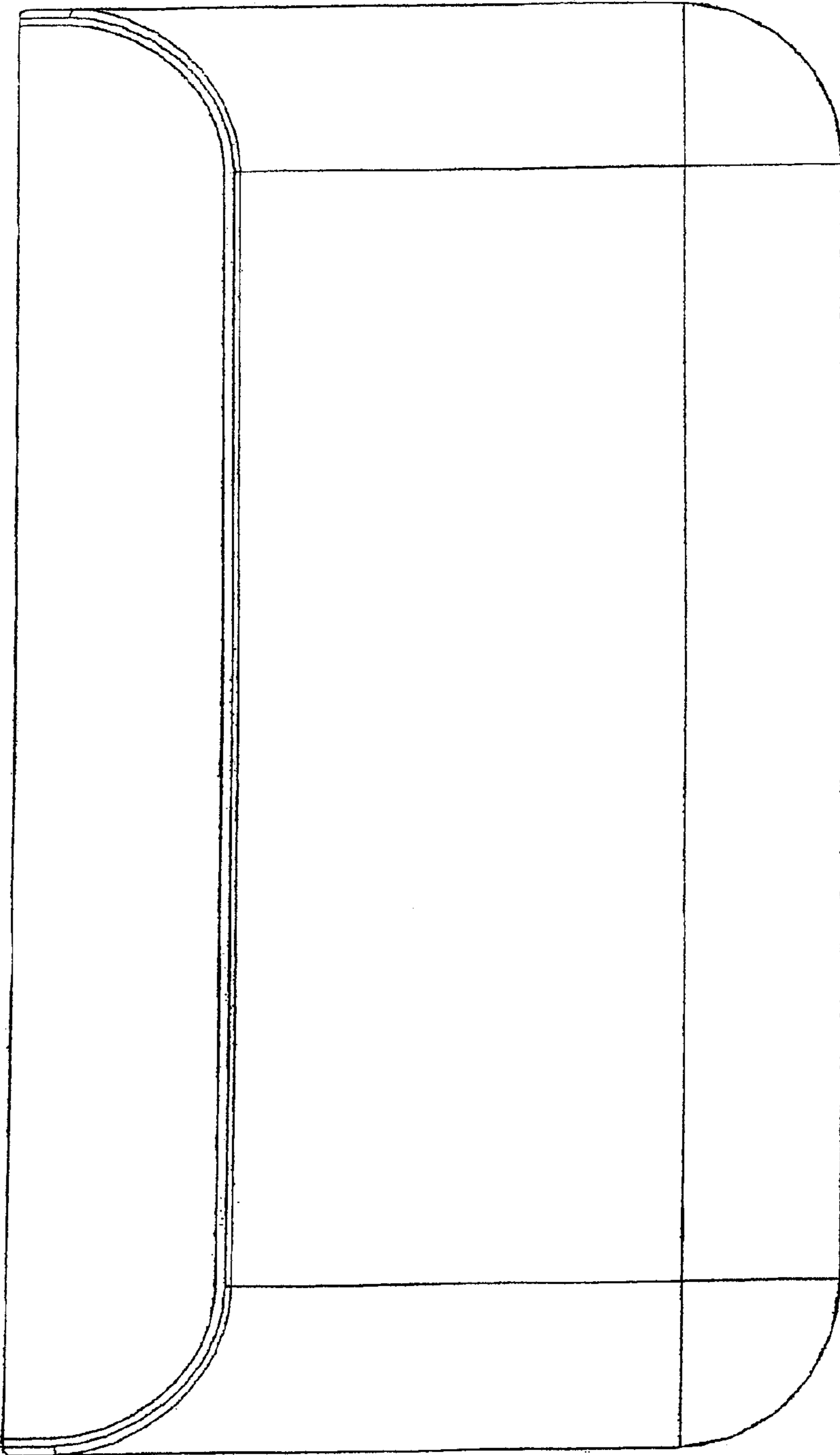
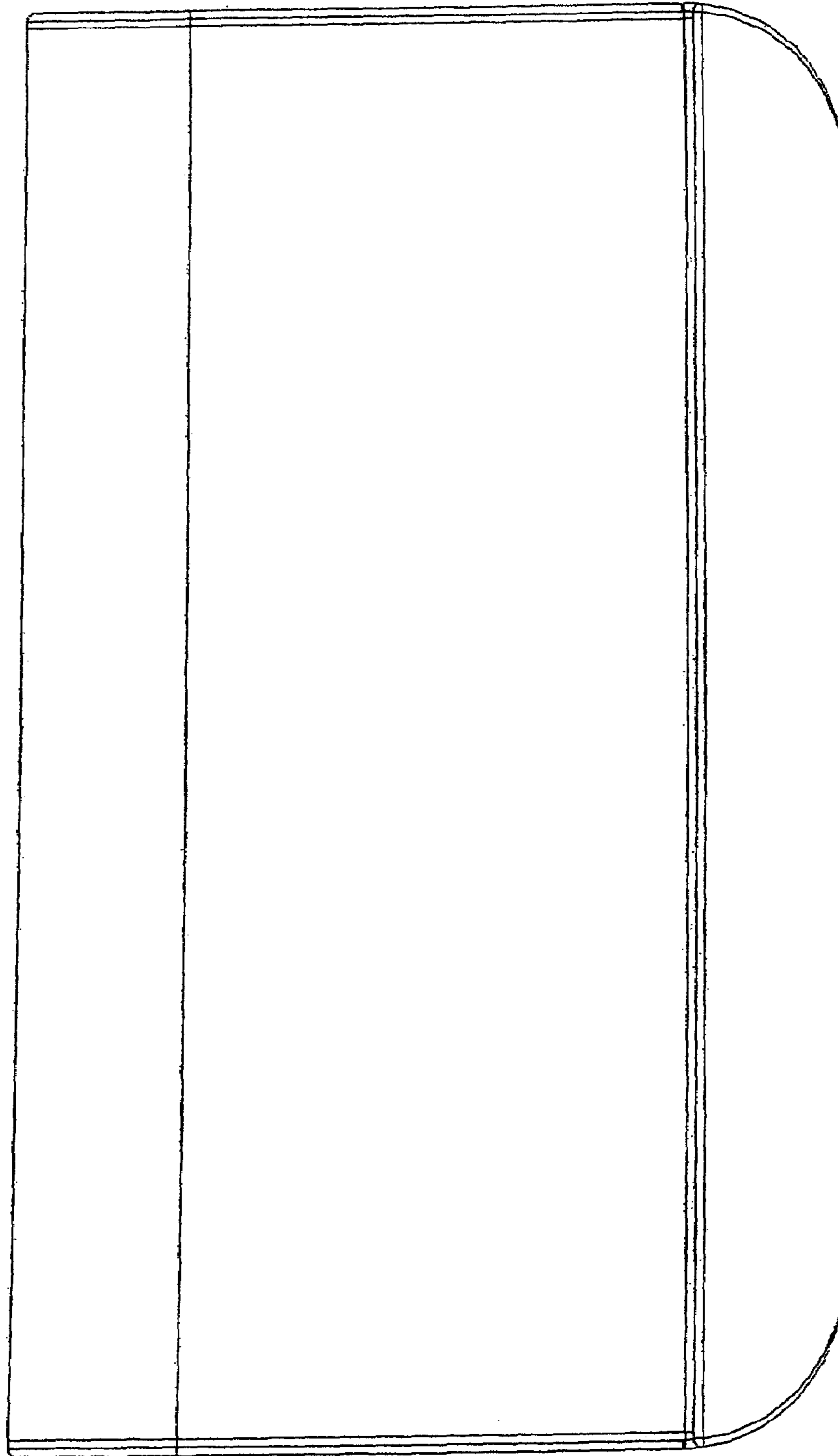


FIG. 3



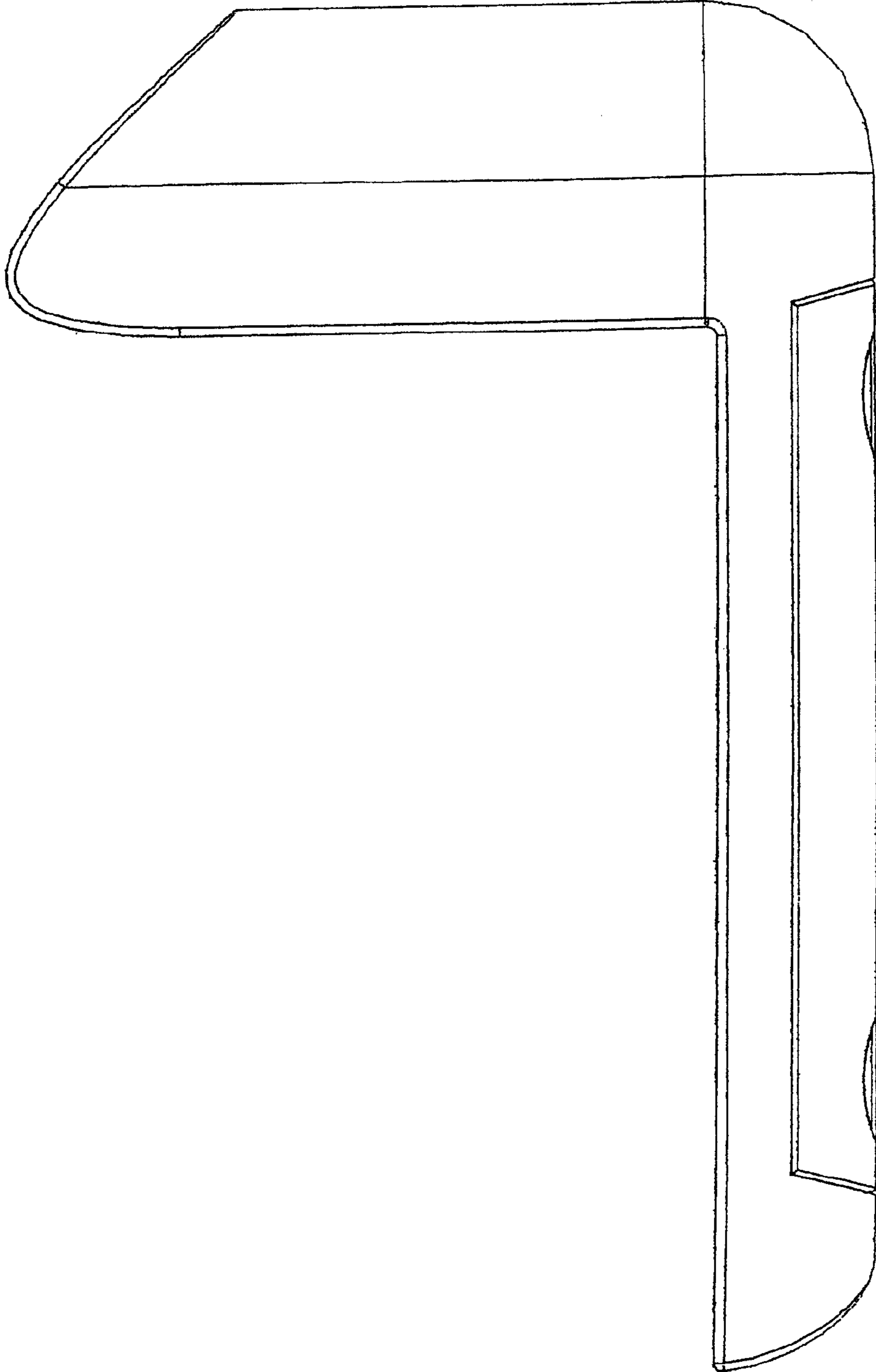


FIG. 4

FIG. 5

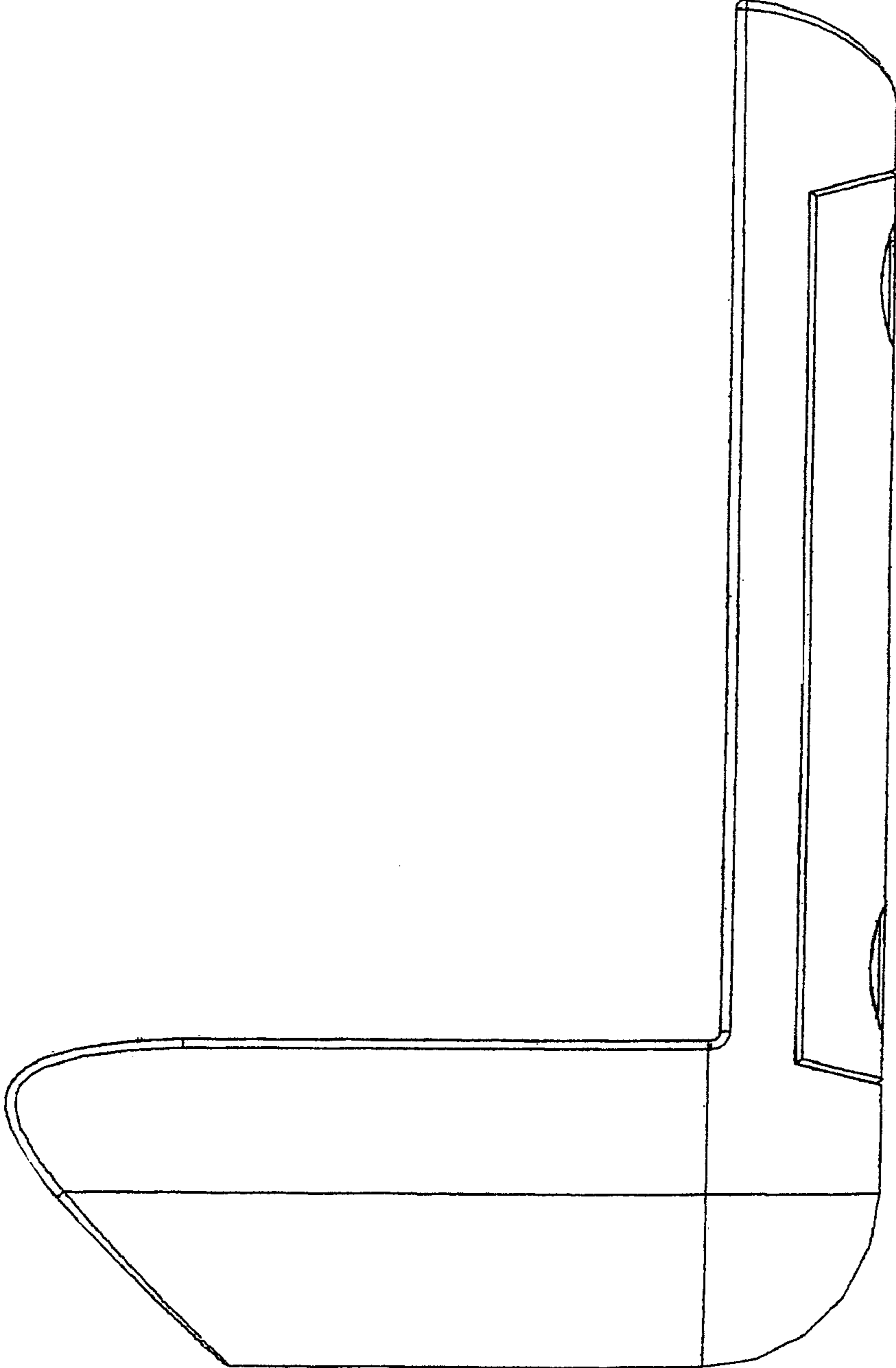


FIG. 6

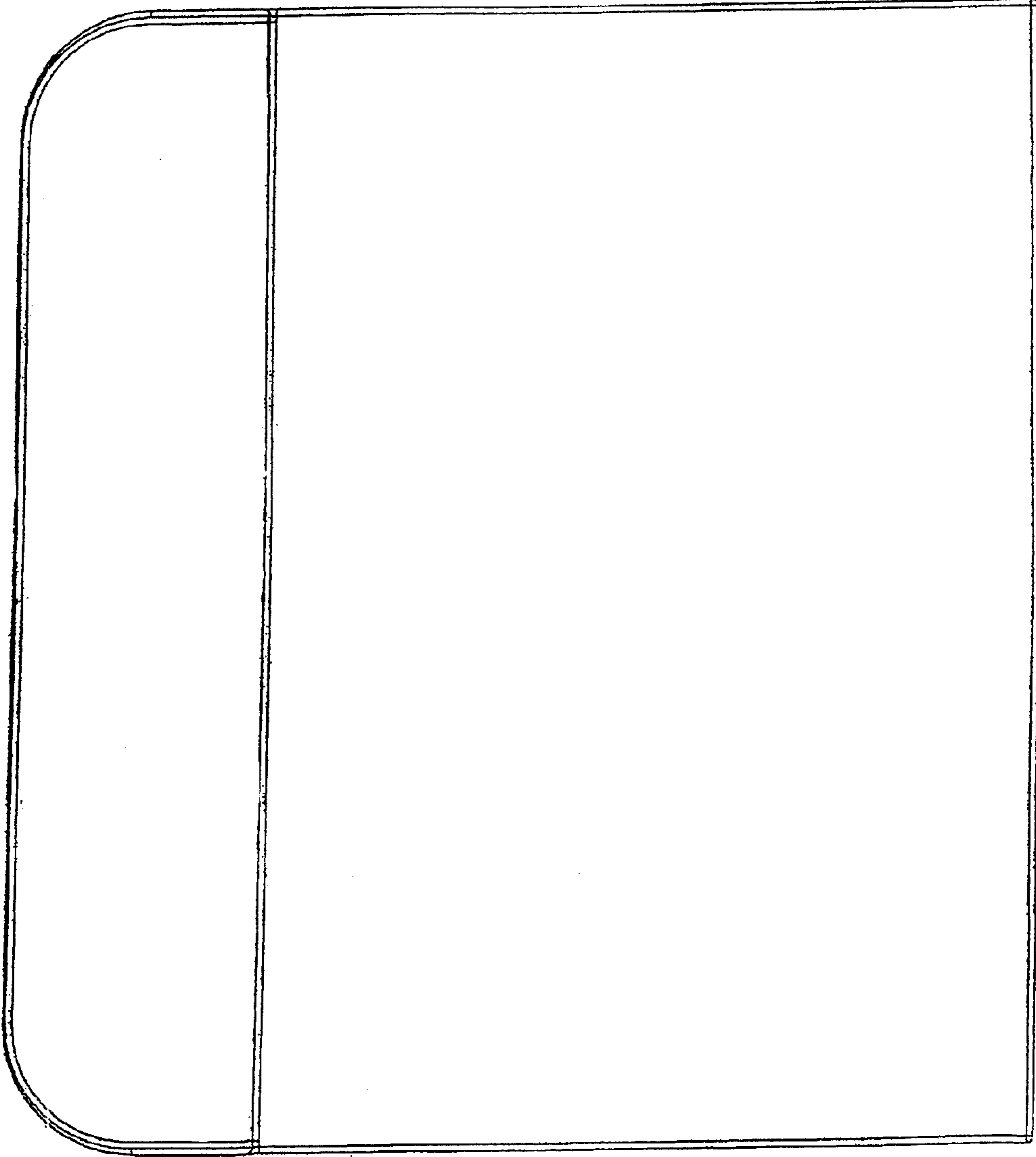
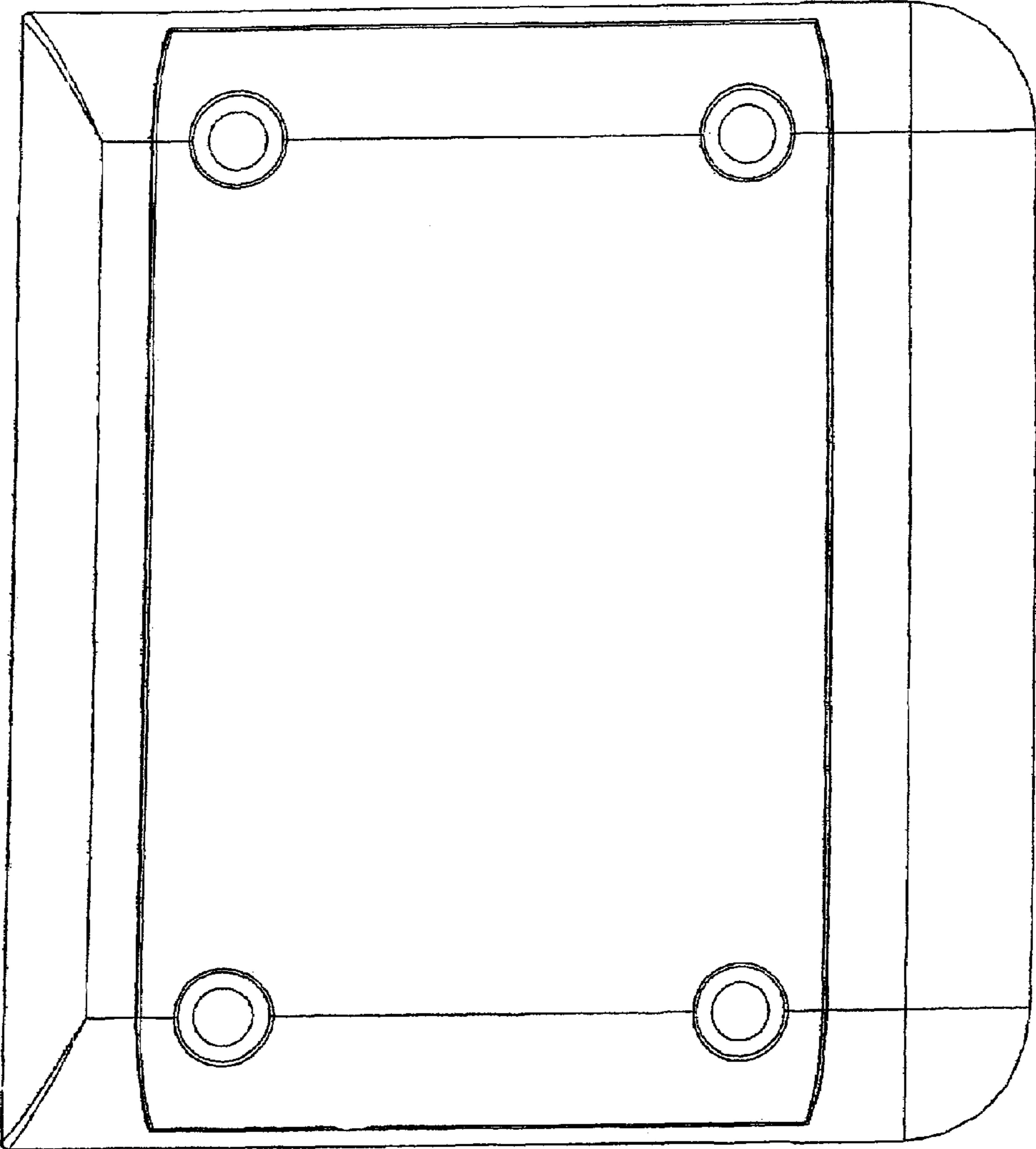


FIG. 7





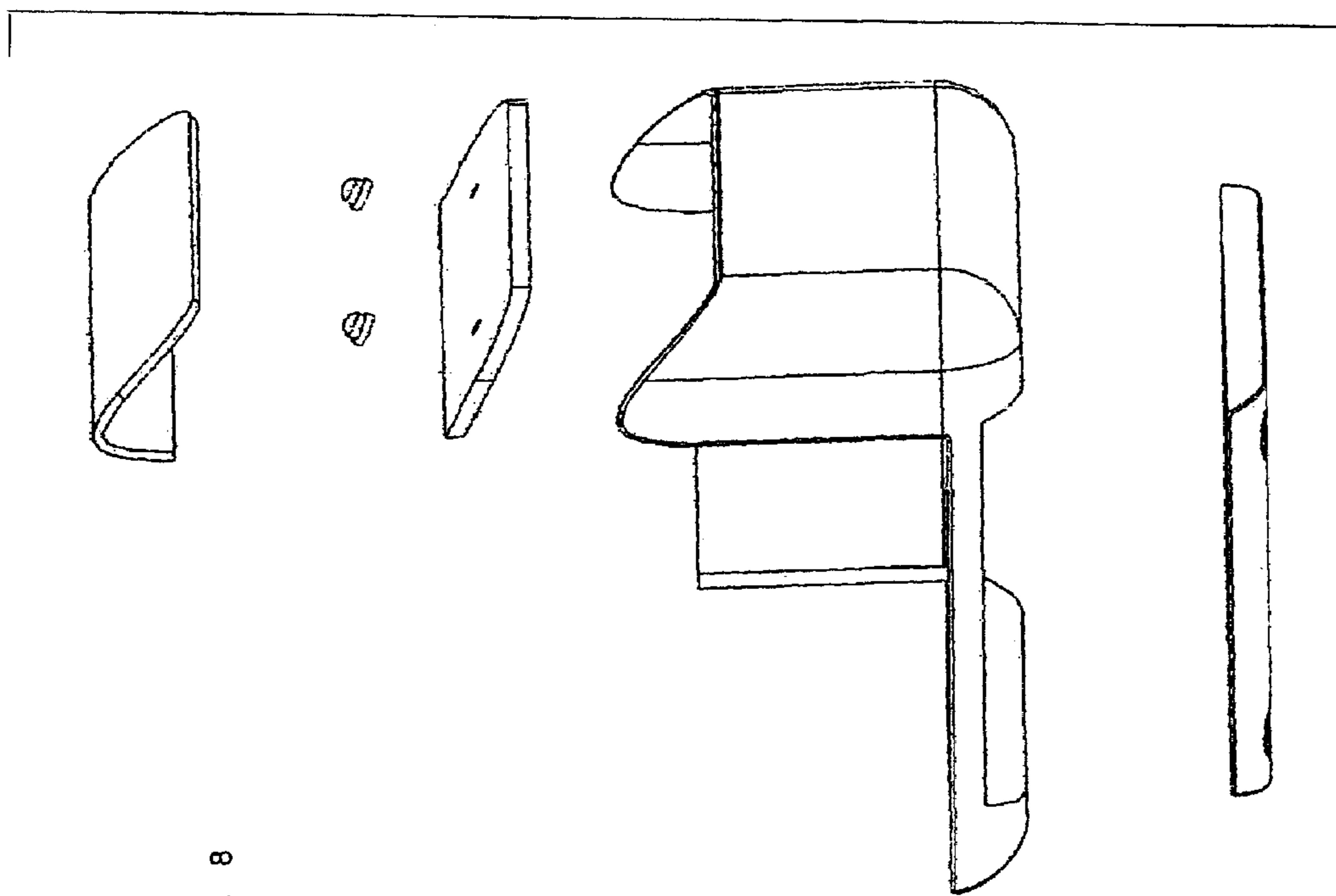


FIG. 8