



US00D580578S

(12) **United States Design Patent**  
**Chien**

(10) **Patent No.:** **US D580,578 S**

(45) **Date of Patent:** **\*\* Nov. 11, 2008**

(54) **DESK LAMP**

(75) Inventor: **Wen-Hsiang Chien**, Taipei (TW)

(73) Assignee: **Advanced Connectek Inc.**, Taipei (TW)

(\*\*) Term: **14 Years**

(21) Appl. No.: **29/319,023**

(22) Filed: **Jun. 3, 2008**

(30) **Foreign Application Priority Data**

May 19, 2008 (TW) ..... 97302890

(51) **LOC (8) Cl.** ..... **26-05**

(52) **U.S. Cl.** ..... **D26/63**

(58) **Field of Classification Search** ..... D26/14,  
D26/60-66, 93, 107; 362/410, 413, 414,  
362/419, 427, 285, 287, 282, 277, 275, 274,  
362/271, 270, 269, 431

See application file for complete search history.

(56) **References Cited**

**U.S. PATENT DOCUMENTS**

- D301,632 S \* 6/1989 Lohrentz ..... D26/61
- D428,179 S \* 7/2000 Huang ..... D26/65
- D536,124 S \* 1/2007 Liao ..... D26/106
- D555,272 S \* 11/2007 Iai et al. .... D26/62

- D556,363 S \* 11/2007 Komar et al. .... D26/106
- D557,436 S \* 12/2007 Iai et al. .... D26/63
- D567,431 S \* 4/2008 Garner et al. .... D26/107
- D568,520 S \* 5/2008 Castellucci et al. .... D26/65
- D569,539 S \* 5/2008 Behar et al. .... D26/63

\* cited by examiner

*Primary Examiner*—Cathron C Brooks

*Assistant Examiner*—Barbara Fox

(74) *Attorney, Agent, or Firm*—Jianq Chyun IP Office

(57) **CLAIM**

The ornamental design for a desk lamp, as shown.

**DESCRIPTION**

FIG. 1 is a perspective view of a desk lamp showing the new design;

FIG. 2 is a front view thereof;

FIG. 3 is a rear view thereof;

FIG. 4 is a left side view thereof;

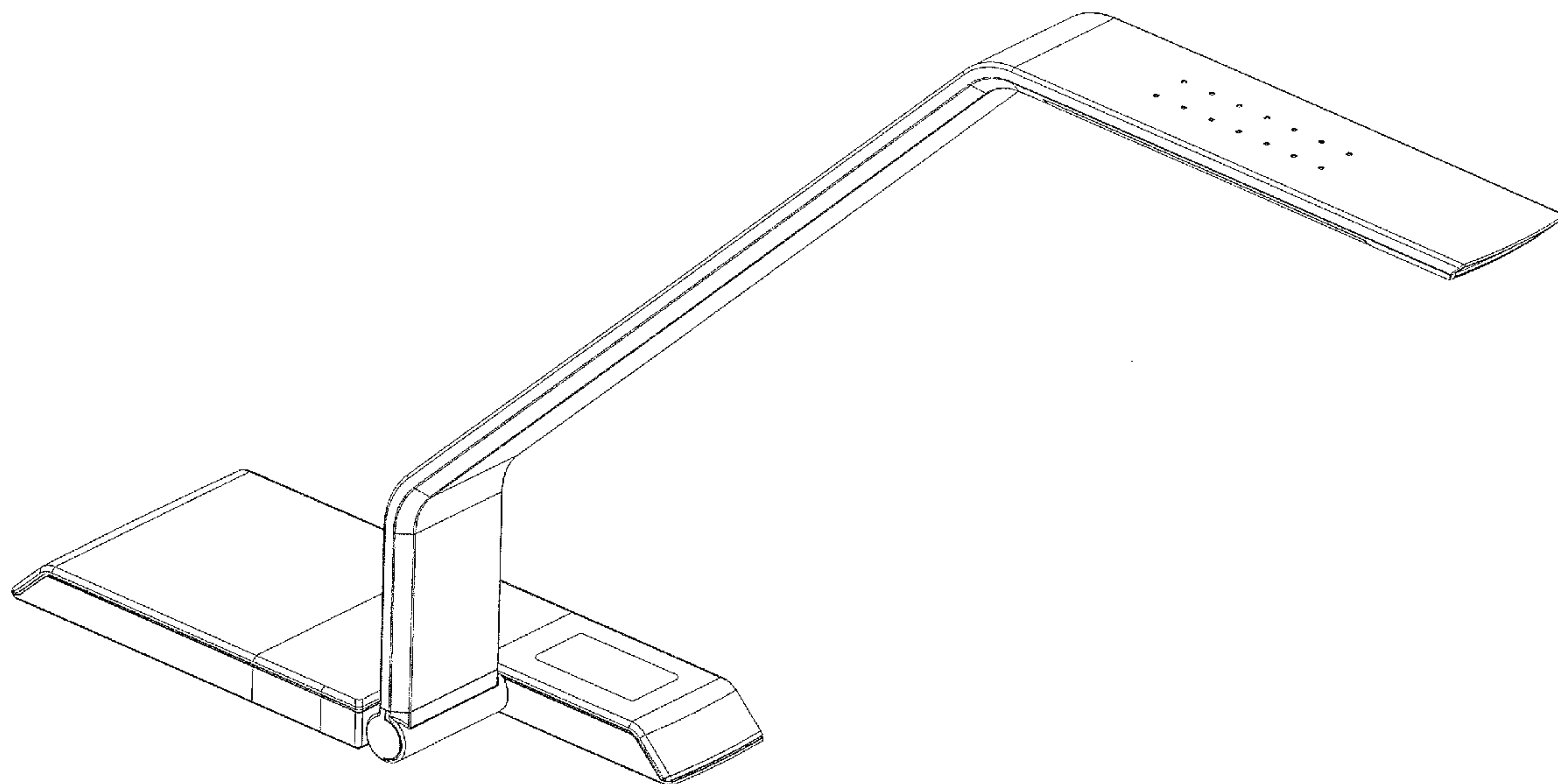
FIG. 5 is a right side view thereof;

FIG. 6 is a top view thereof;

FIG. 7 is a bottom view thereof; and,

FIG. 8 is another perspective view thereof.

**1 Claim, 6 Drawing Sheets**



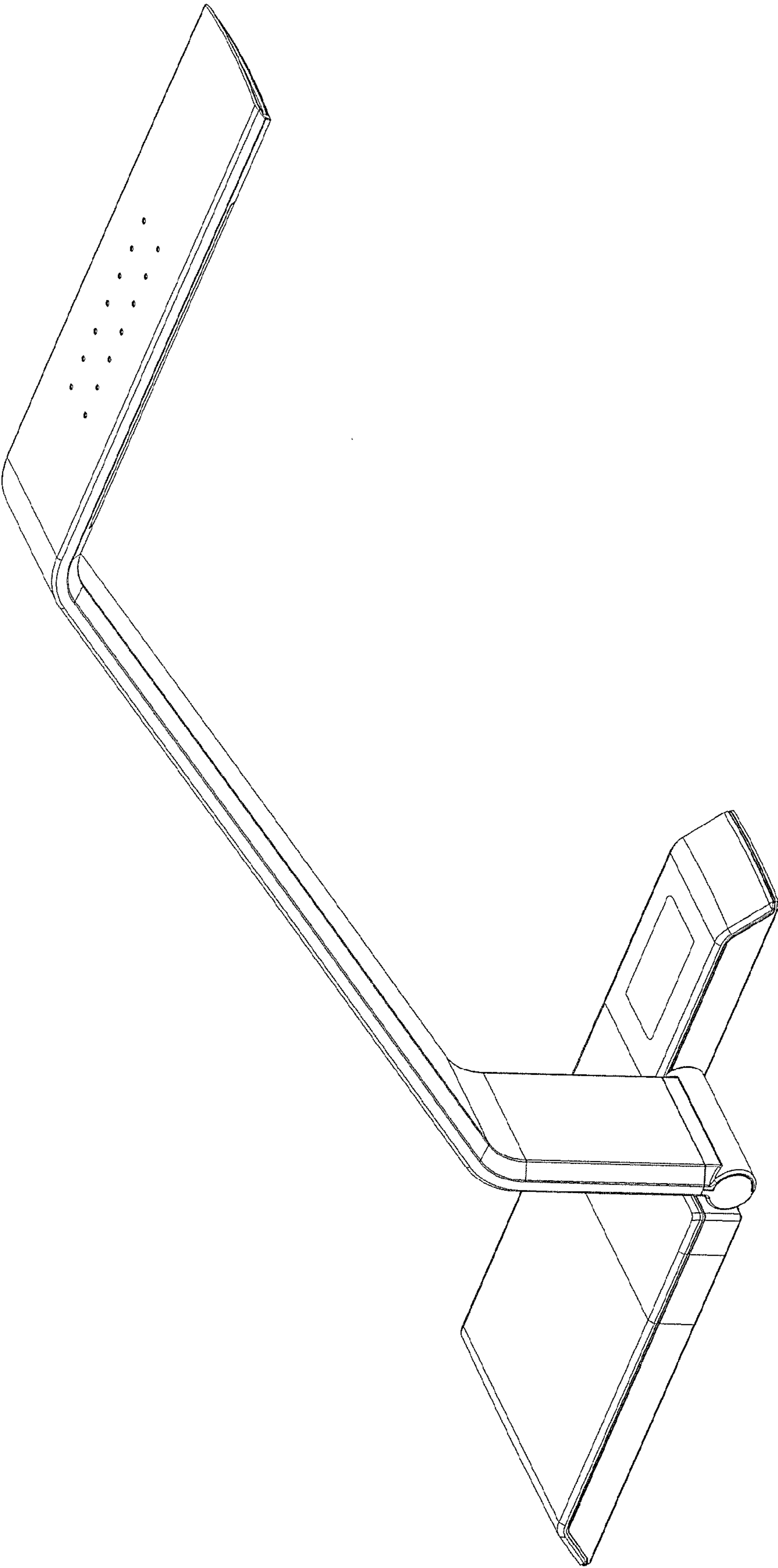


FIG. 1

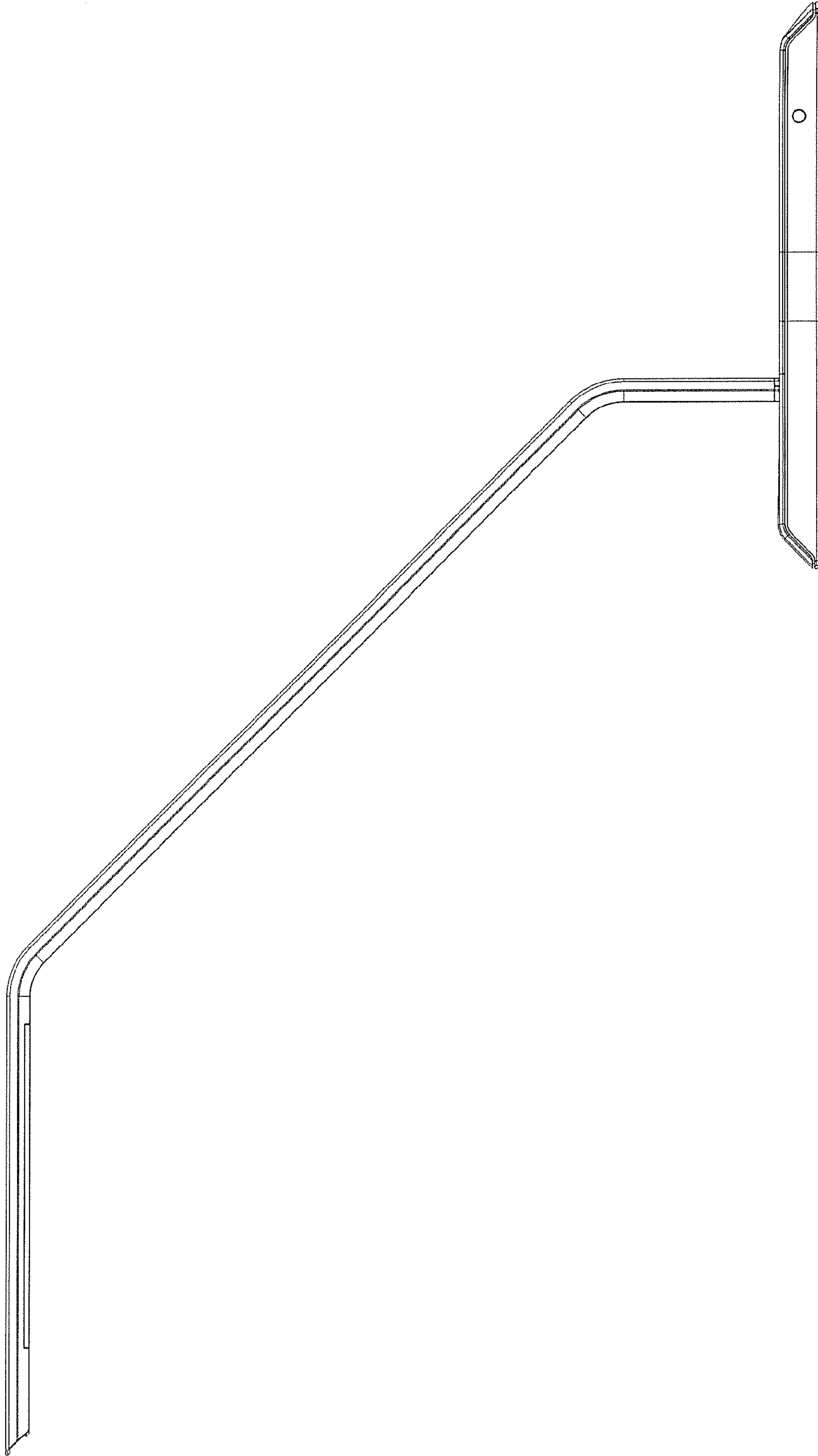


FIG. 2

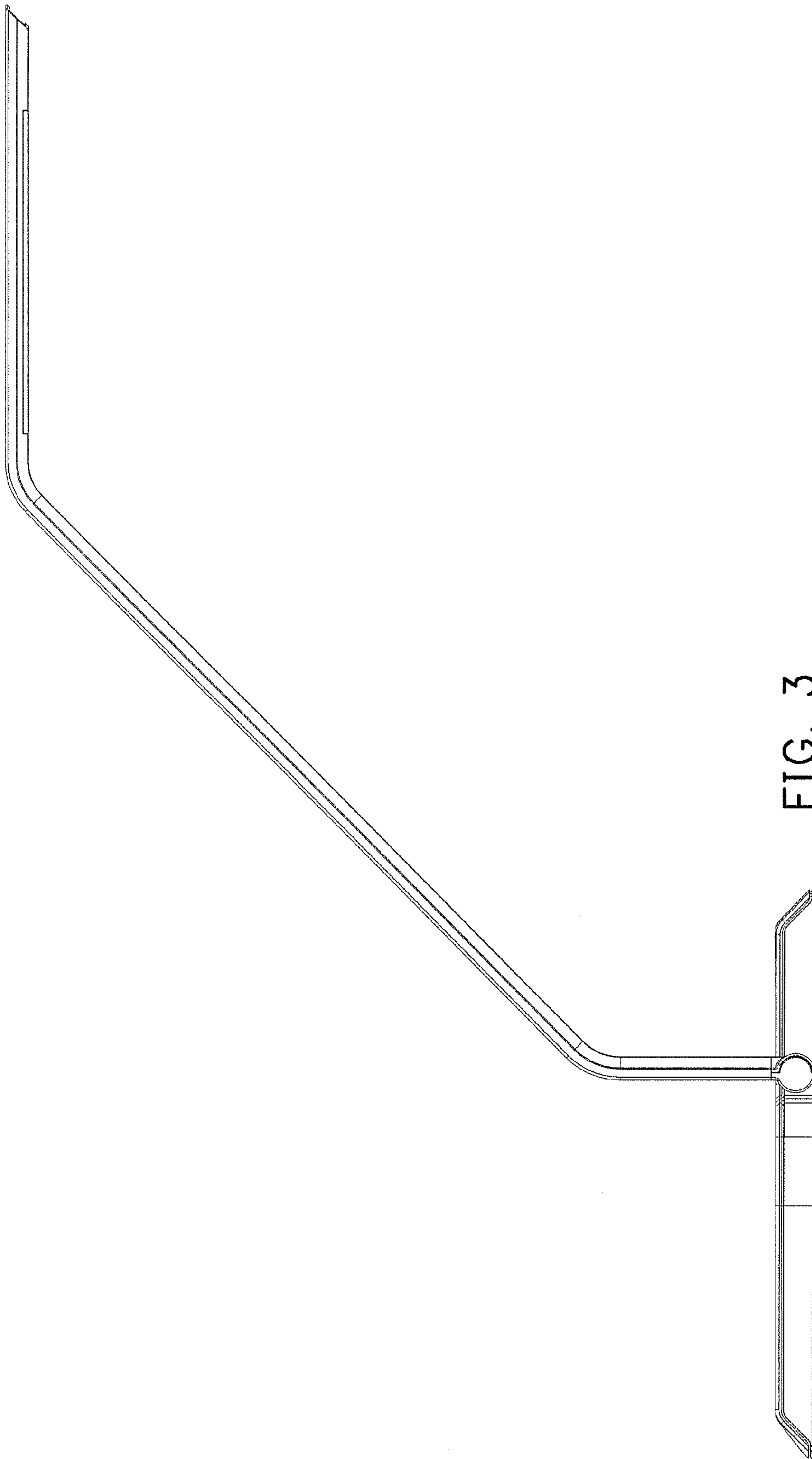


FIG. 3

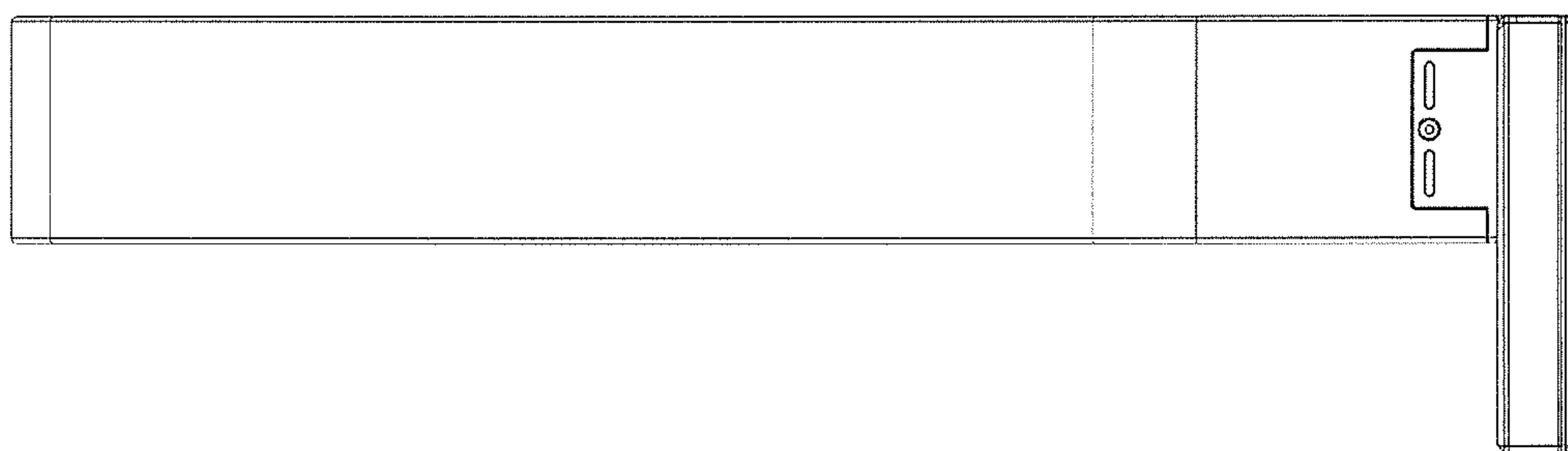


FIG. 5

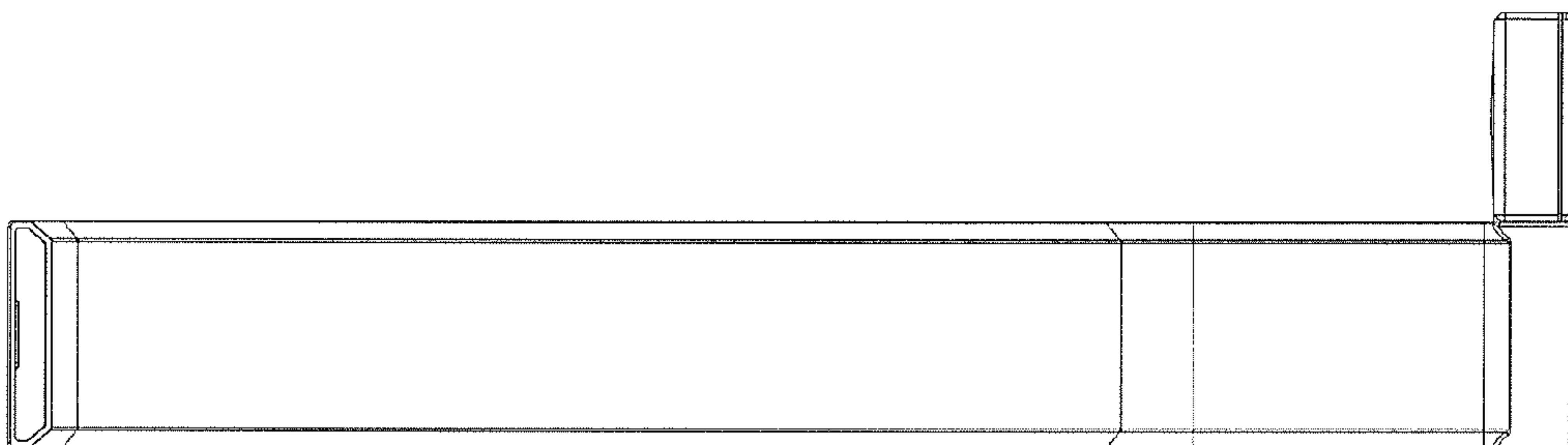


FIG. 4

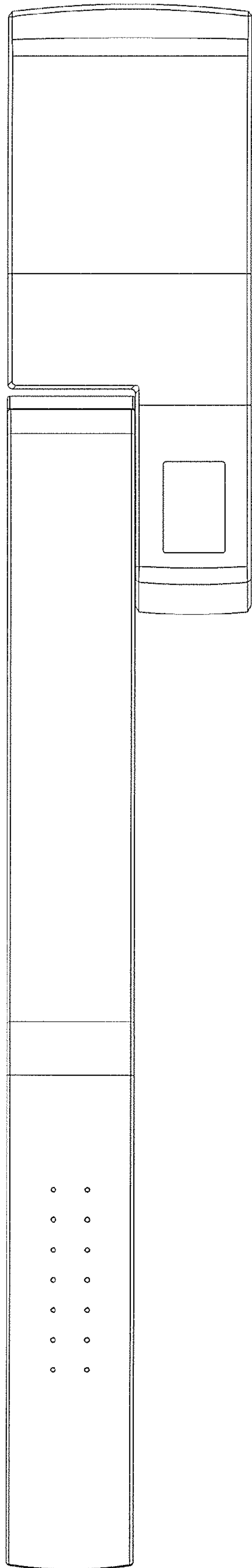


FIG. 6

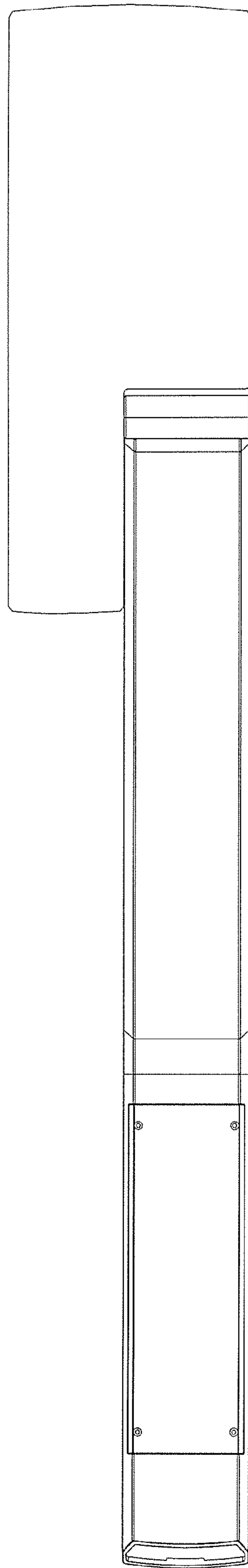


FIG. 7



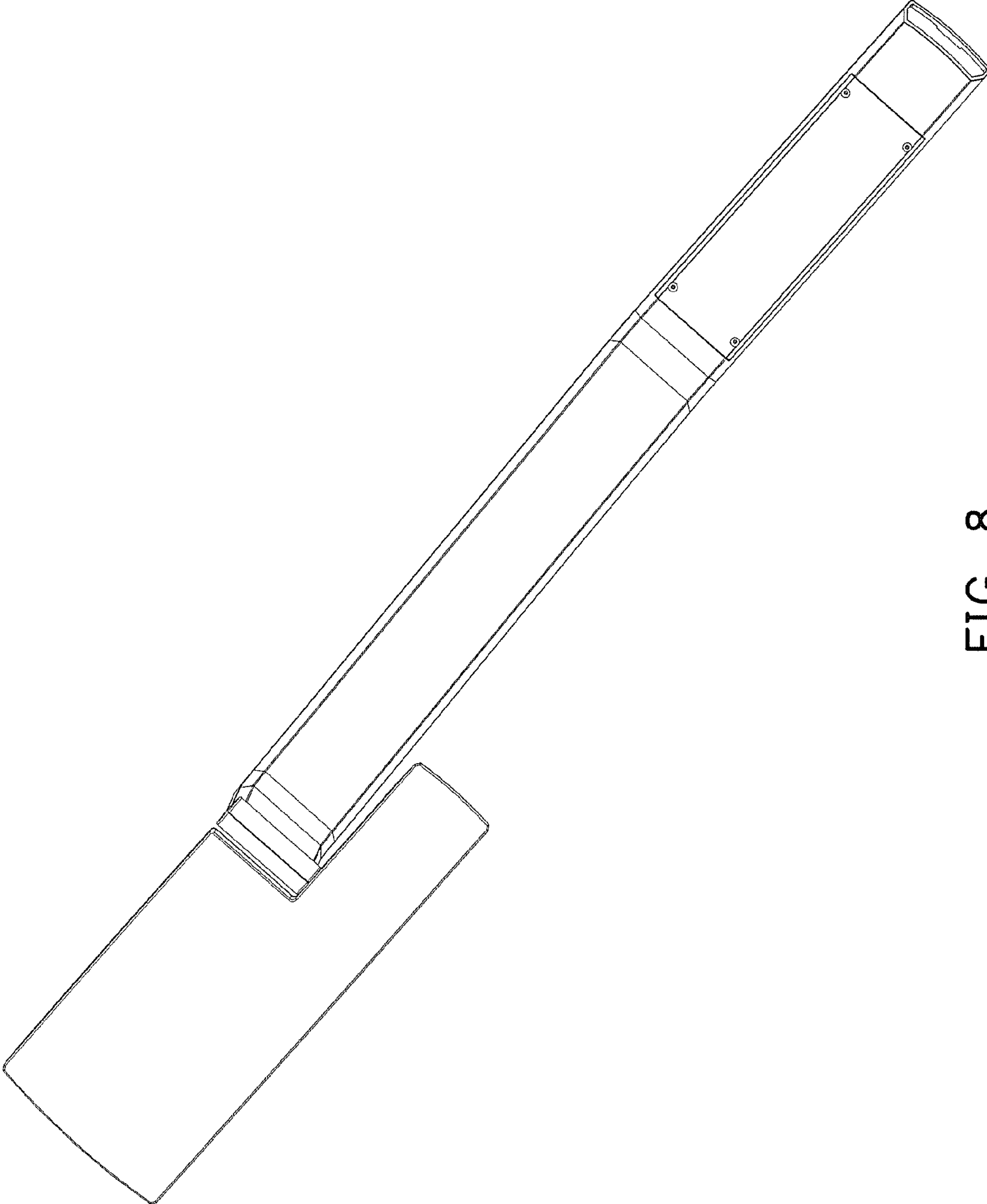


FIG. 8