



US00D580577S

(12) **United States Design Patent**  
**Wang et al.**

(10) **Patent No.:** **US D580,577 S**

(45) **Date of Patent:** **\*\* Nov. 11, 2008**

(54) **LED LAMP**

(75) Inventors: **Zhong-Qing Wang**, Shenzhen (CN);  
**Xiu-Yi Zhang**, Shenzhen (CN); **Li He**,  
Shenzhen (CN)

(73) Assignee: **Foxconn Technology Co., Ltd.**,  
Tu-Cheng, Taipei Hsien (TW)

(\*\*) Term: **14 Years**

(21) Appl. No.: **29/305,652**

(22) Filed: **Mar. 25, 2008**

(51) **LOC (8) Cl.** ..... **26-05**

(52) **U.S. Cl.** ..... **D26/63**

(58) **Field of Classification Search** ..... D26/24,  
D26/37, 43, 44, 51, 56, 60-66, 71, 72, 85-93,  
D26/107, 113, 118, 138, 142; 362/410, 413,  
362/414, 419, 427, 285, 287, 282, 277, 275,  
362/274, 271, 270, 269, 431, 401, 402, 251,  
362/147, 432, 362, 155-157; D13/110, 133,  
D13/139.2; D16/135; D10/106

See application file for complete search history.

(56) **References Cited**

**U.S. PATENT DOCUMENTS**

D205,624 S \* 8/1966 Pritchett ..... D26/24  
D272,656 S \* 2/1984 Parker ..... D26/65  
D296,829 S \* 7/1988 Peppers ..... D26/63

5,473,523 A \* 12/1995 Von Fange ..... 362/232  
D391,382 S \* 2/1998 Rahn ..... D26/63  
D411,025 S \* 6/1999 Rahn ..... D26/63  
D412,039 S \* 7/1999 Landerholm et al. .... D26/63  
D441,889 S \* 5/2001 Austin ..... D26/63  
D535,774 S \* 1/2007 Weston et al. .... D26/72  
D552,781 S \* 10/2007 Kosche et al. .... D26/63  
D565,772 S \* 4/2008 Guercio ..... D26/63

\* cited by examiner

*Primary Examiner*—Cathron C Brooks

*Assistant Examiner*—Barbara Fox

(74) *Attorney, Agent, or Firm*—Frank R. Niranjana

(57) **CLAIM**

The ornamental design for an LED lamp, as shown.

**DESCRIPTION**

FIG. 1 is a perspective view of an LED lamp showing our new design;

FIG. 2 is a front elevational view thereof;

FIG. 3 is a rear elevational view thereof;

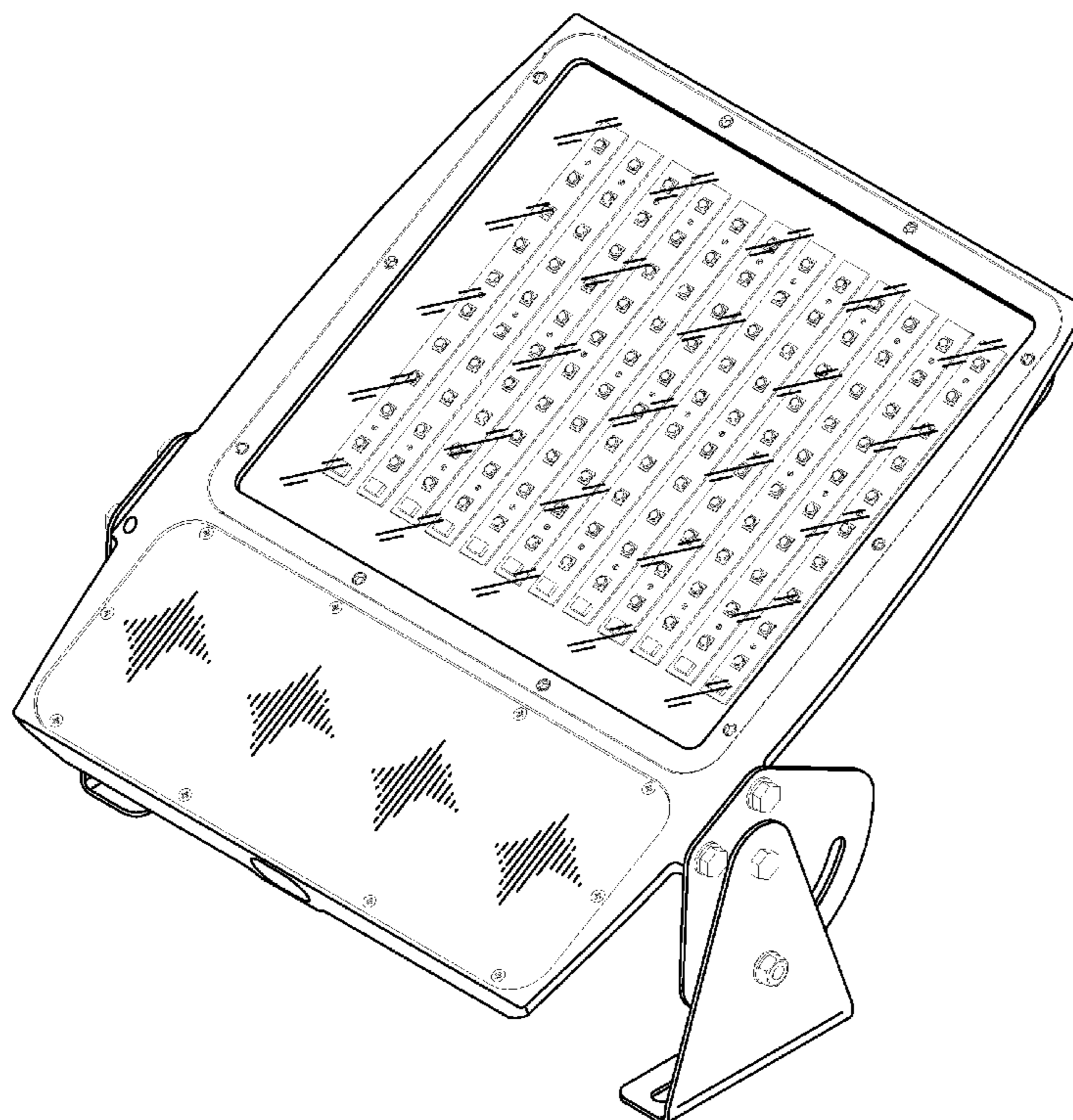
FIG. 4 is a left-side, elevational view thereof;

FIG. 5 is a right-side, elevational view thereof;

FIG. 6 is a top plan view thereof; and,

FIG. 7 is a bottom plan view thereof.

**1 Claim, 7 Drawing Sheets**



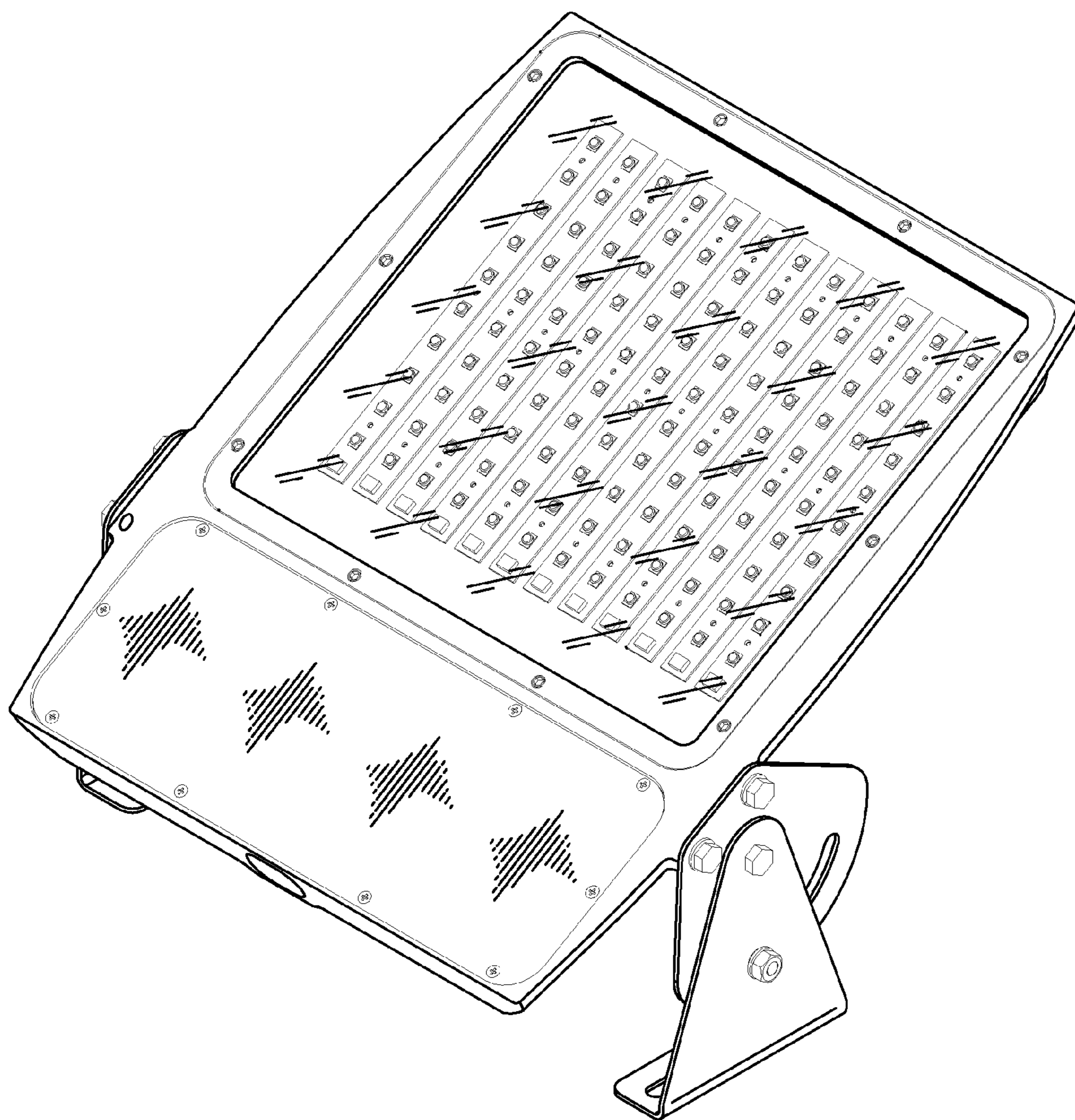


FIG. 1

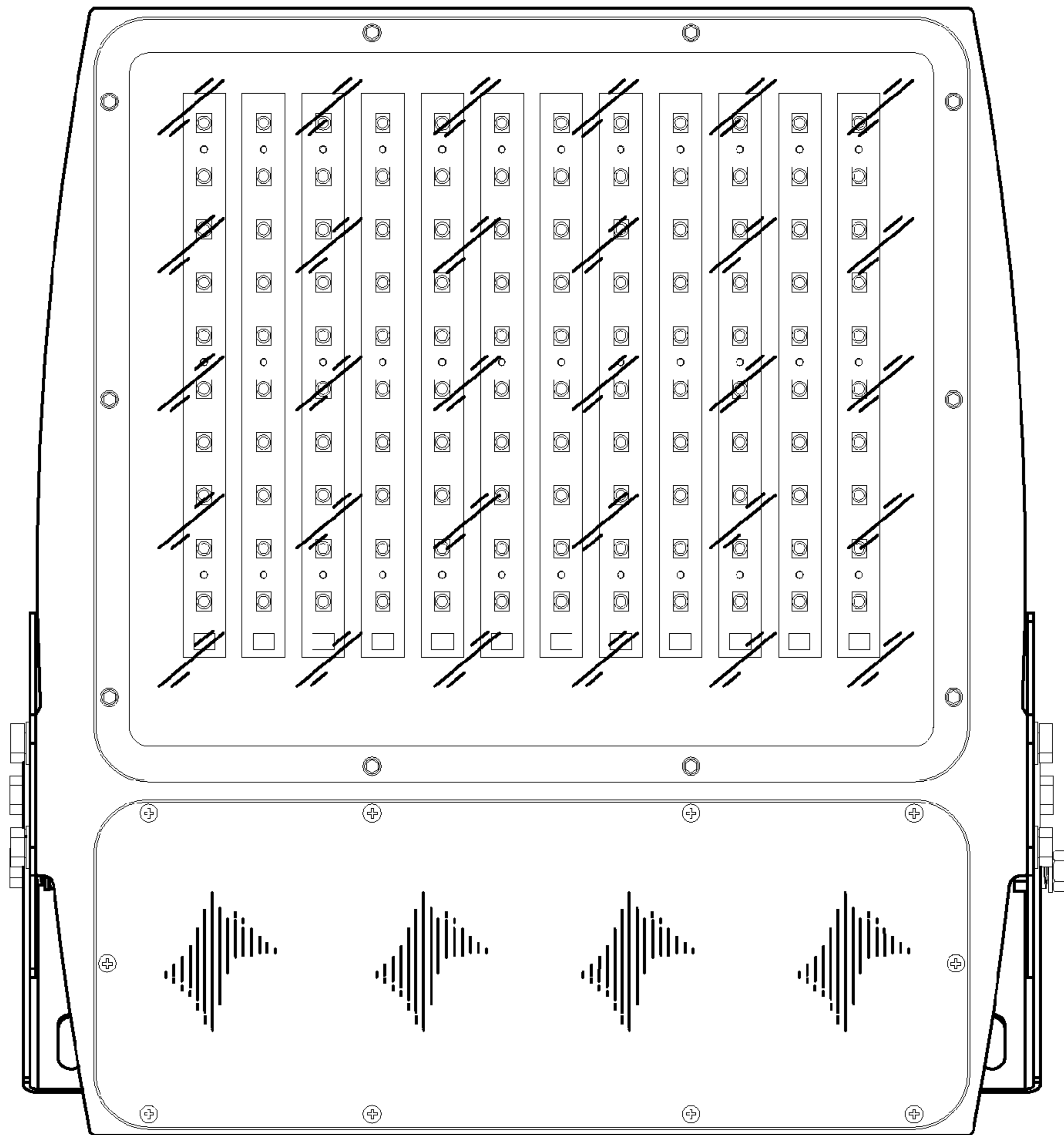


FIG. 2

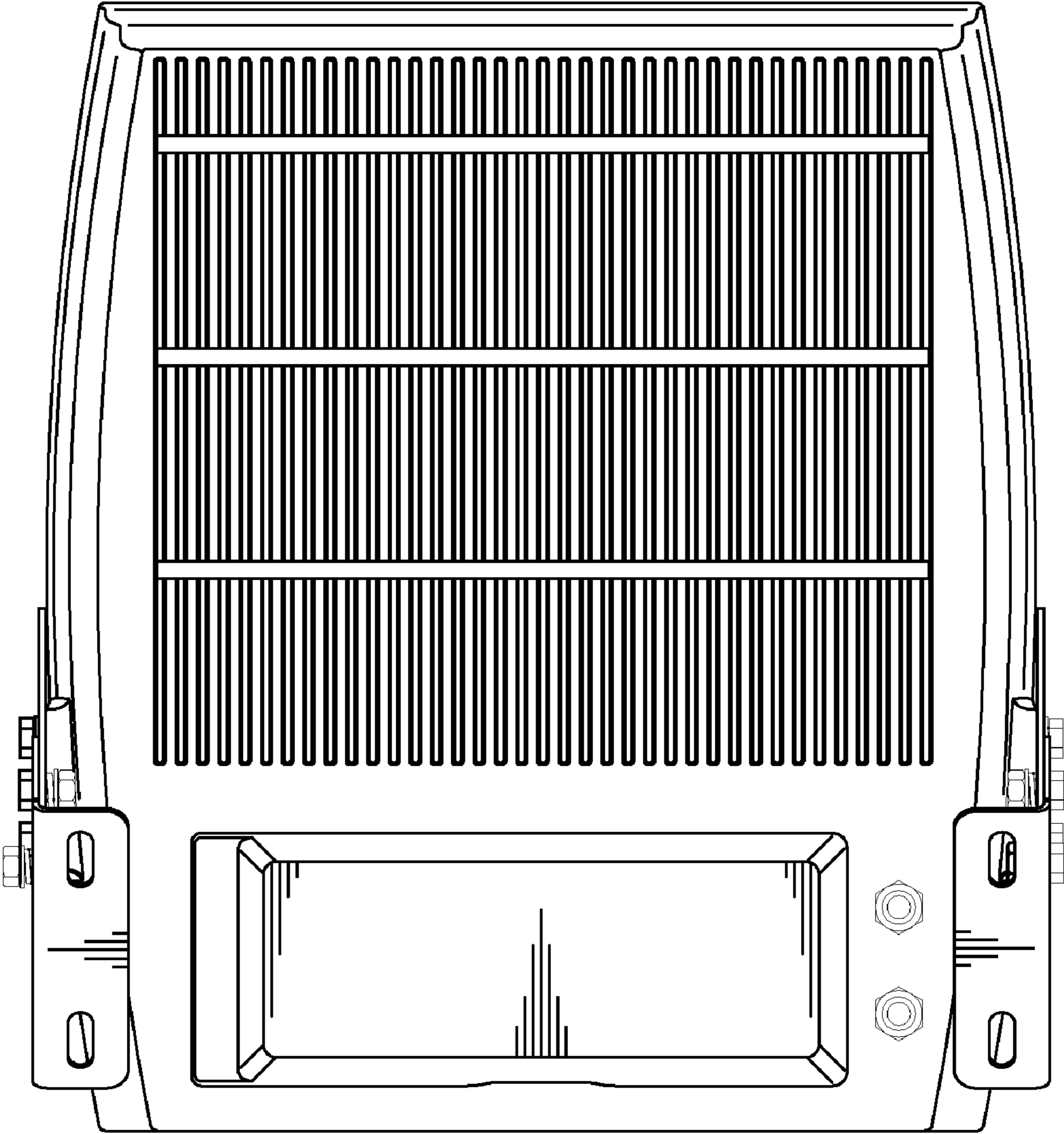


FIG. 3

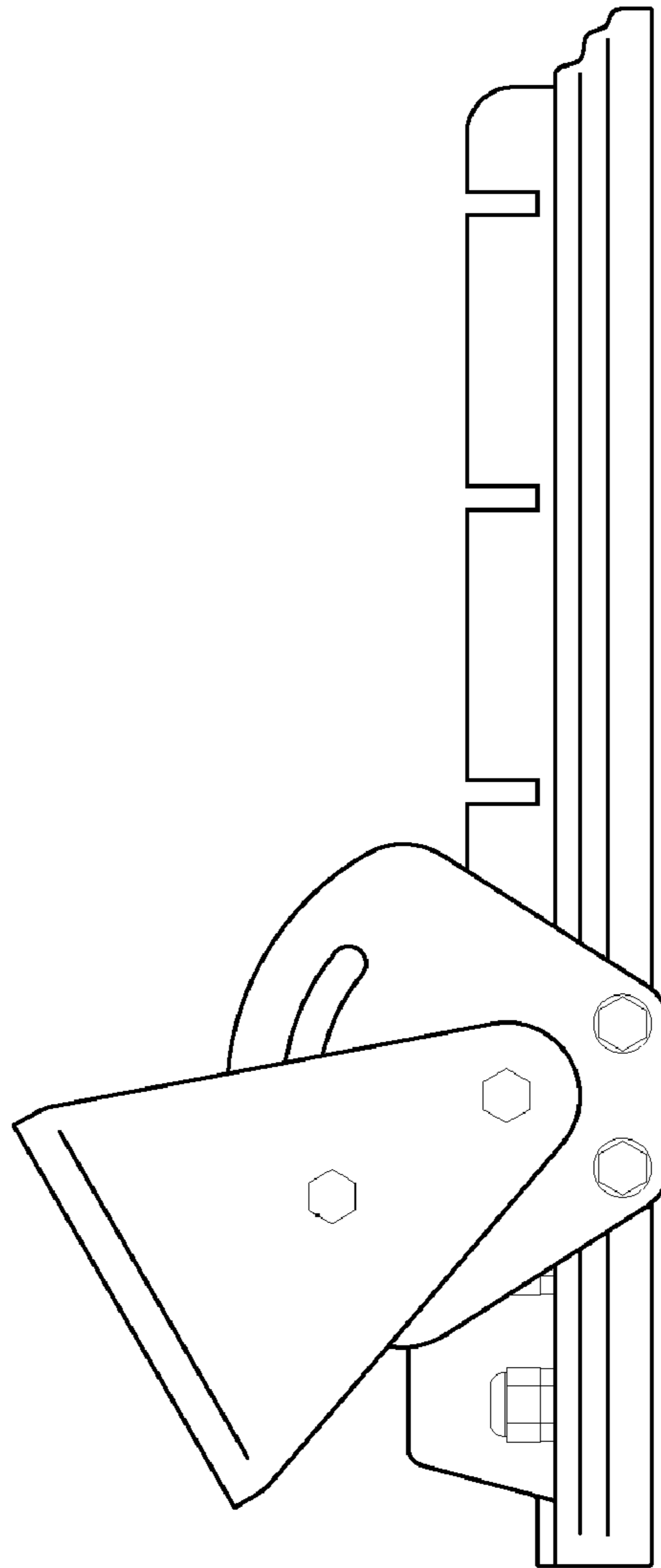


FIG. 4

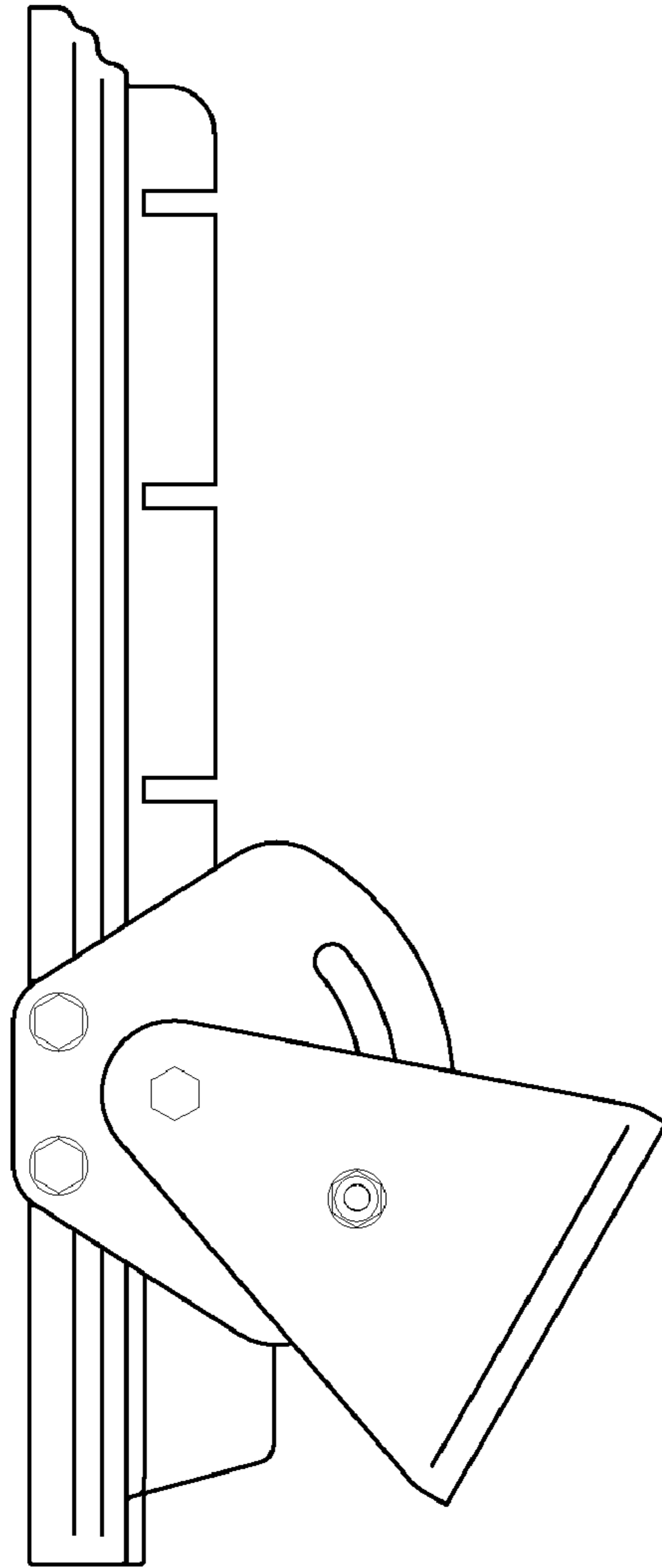


FIG. 5

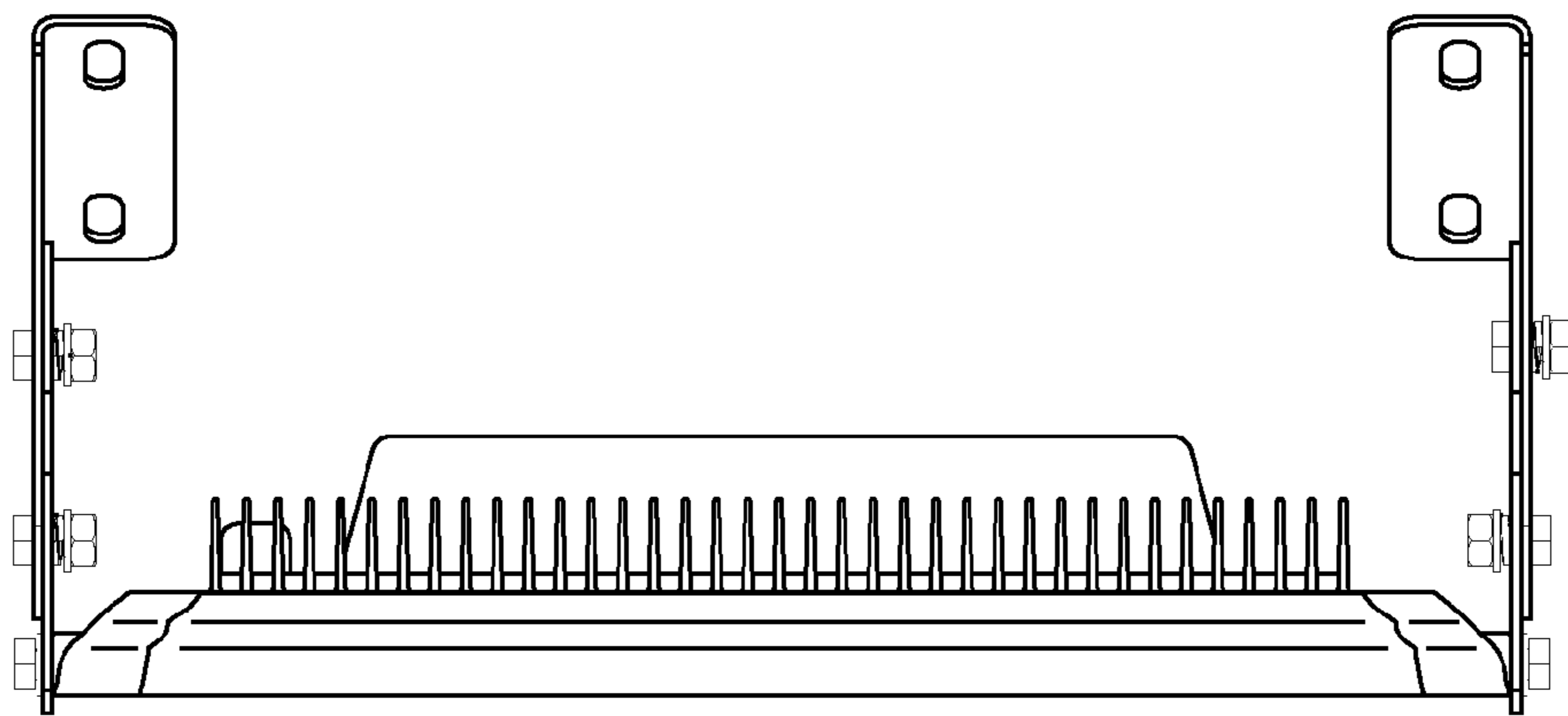


FIG. 6

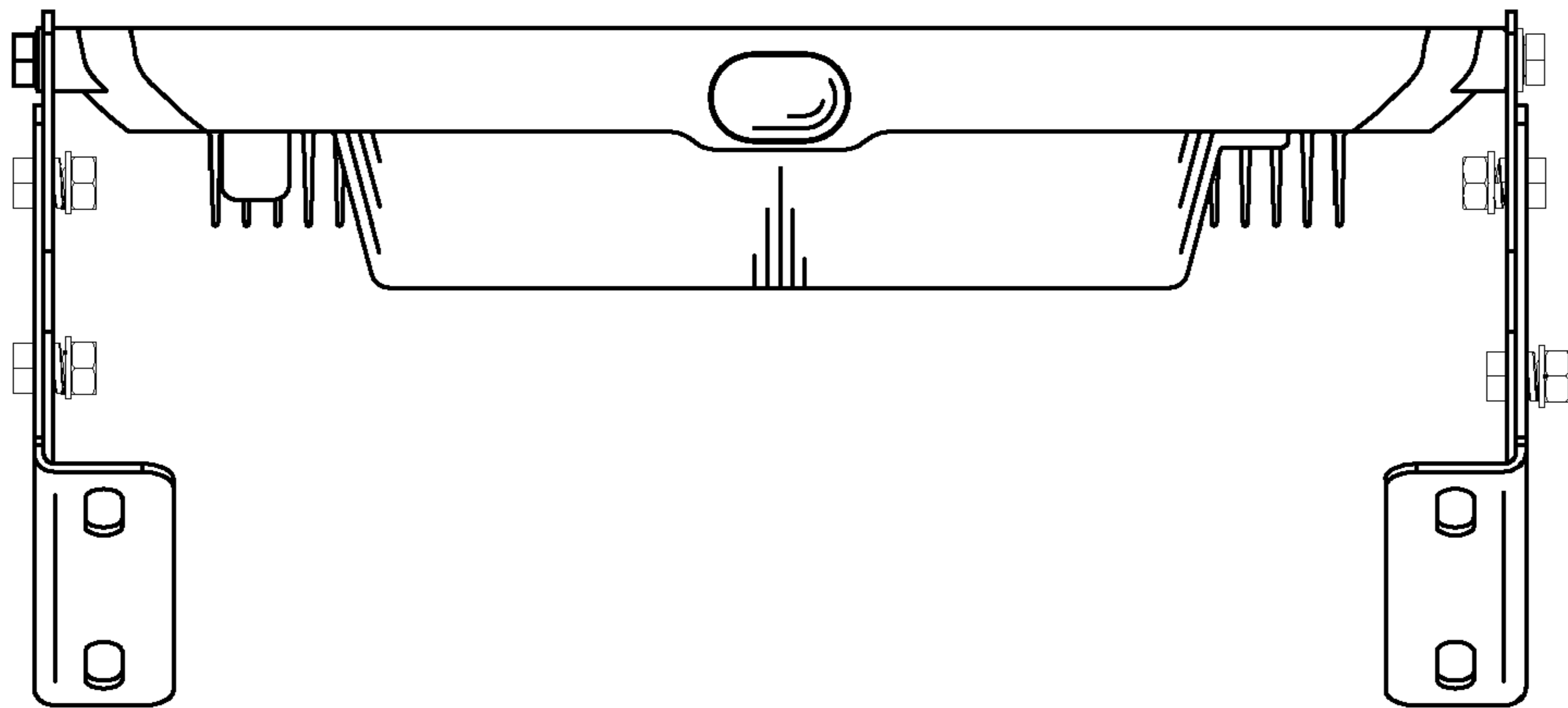


FIG. 7