



US00D580575S

(12) **United States Design Patent**
Shiu

(10) **Patent No.:** **US D580,575 S**

(45) **Date of Patent:** **** Nov. 11, 2008**

(54) **LIGHT SOURCE**

(75) **Inventor:** **Stephanie Wai Man Shiu, Kowloon (HK)**

(73) **Assignee:** **Gold Coral International Limited, San Po Kong, Kowloon (HK)**

(**) **Term:** **14 Years**

(21) **Appl. No.:** **29/280,474**

(22) **Filed:** **May 29, 2007**

(30) **Foreign Application Priority Data**

Dec. 2, 2006 (HK) 0603208

(51) **LOC (8) Cl.** **26-05**

(52) **U.S. Cl.** **D26/60**

(58) **Field of Classification Search** D26/60-66,
D26/72, 85; 362/102, 240, 157-159, 183,
362/101, 431, 367

See application file for complete search history.

(56) **References Cited**

U.S. PATENT DOCUMENTS

- D385,642 S * 10/1997 Brohard et al. D26/71
- D388,212 S * 12/1997 Brohard et al. D26/71
- D412,040 S * 7/1999 Hudak et al. D26/87
- D425,225 S * 5/2000 Holderfield D26/37
- D459,515 S * 6/2002 Gaskins et al. D26/67
- 7,192,058 B2 * 3/2007 Fleming 280/824
- D544,618 S * 6/2007 Coushaine D26/37

- D544,805 S * 6/2007 Corrigan et al. D10/111
- D553,274 S * 10/2007 Hill et al. D26/37
- D561,925 S * 2/2008 Levine D26/72
- D564,687 S * 3/2008 Bucher et al. D26/60

* cited by examiner

Primary Examiner—Cathron Brooks

Assistant Examiner—Barbara Fox

(74) *Attorney, Agent, or Firm*—Joseph G. Swan, PC

(57) **CLAIM**

The ornamental design for a light source, as shown and described.

DESCRIPTION

FIG. 1 is a perspective view of a light source according to the present invention.

FIG. 2 is a top plan view of the light source.

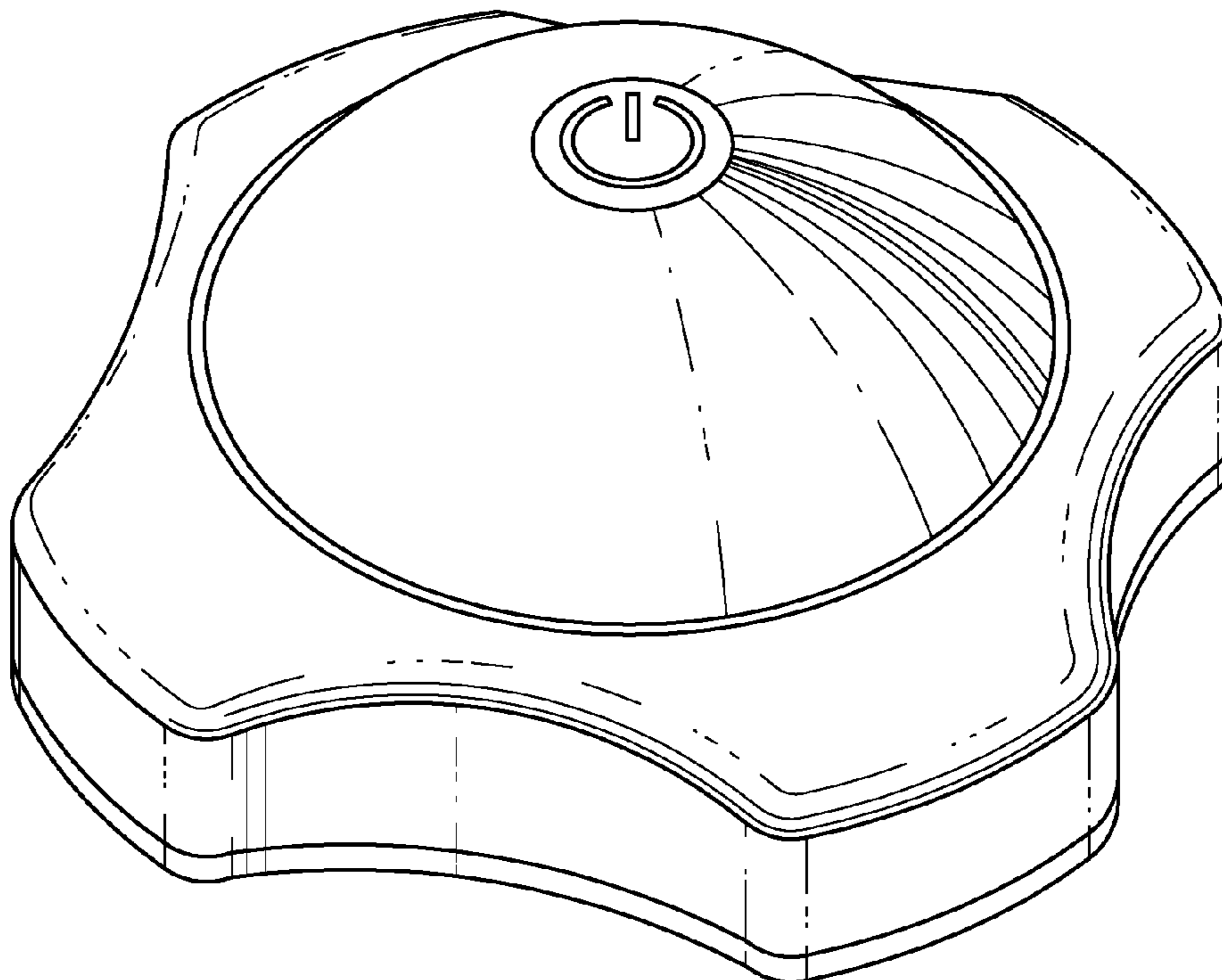
FIG. 3 is a front elevational view of the light source, with the rear elevational view being identical to the front elevational view.

FIG. 4 is a left side elevational view of the light source, with the right side elevational view being identical to the left side elevational view; and,

FIG. 5 is a bottom plan view of the light source.

The broken lines shown in the drawings are for the purpose of illustrating unclaimed portions of the light source and form no part of the claimed design.

1 Claim, 3 Drawing Sheets



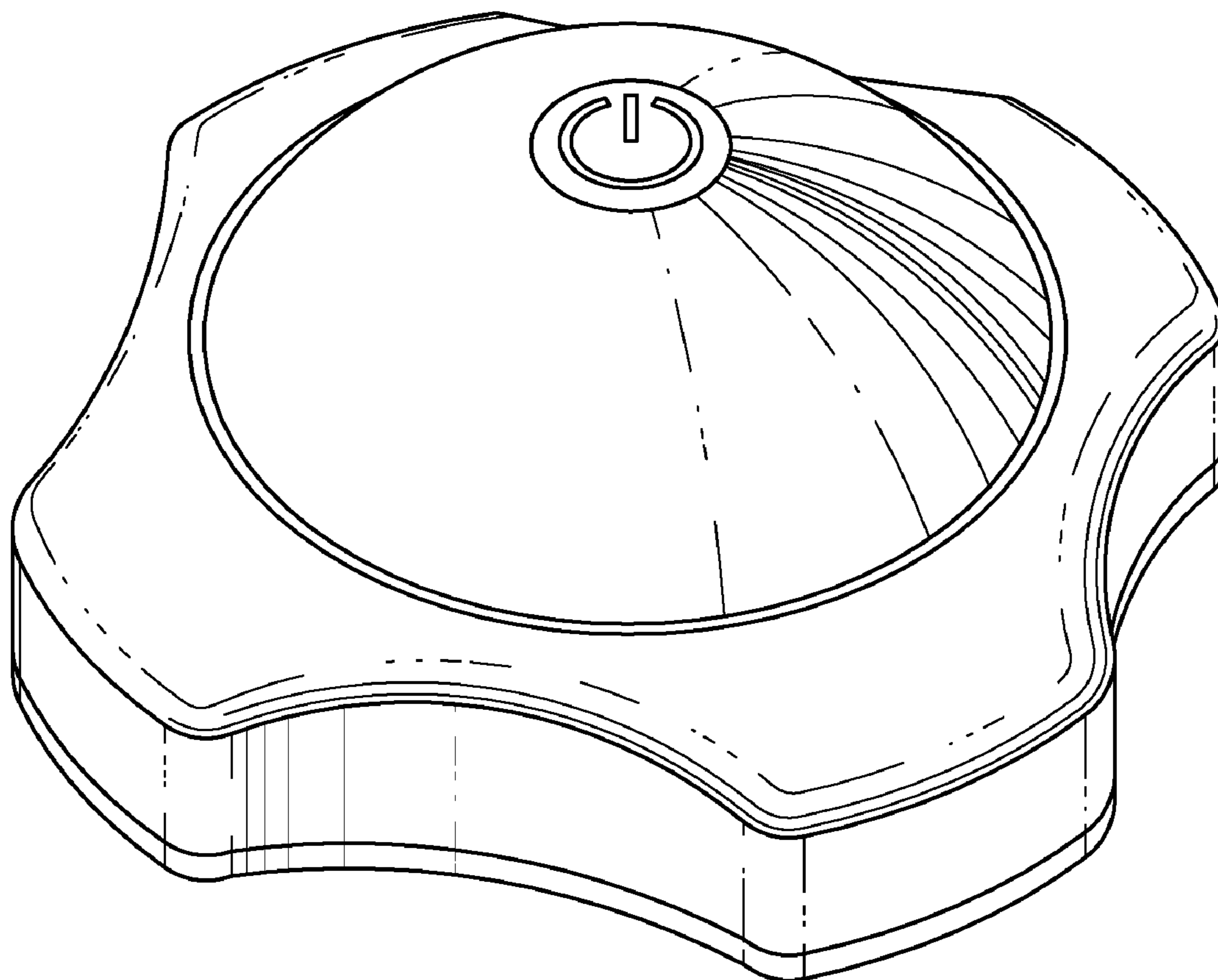


FIG. 1

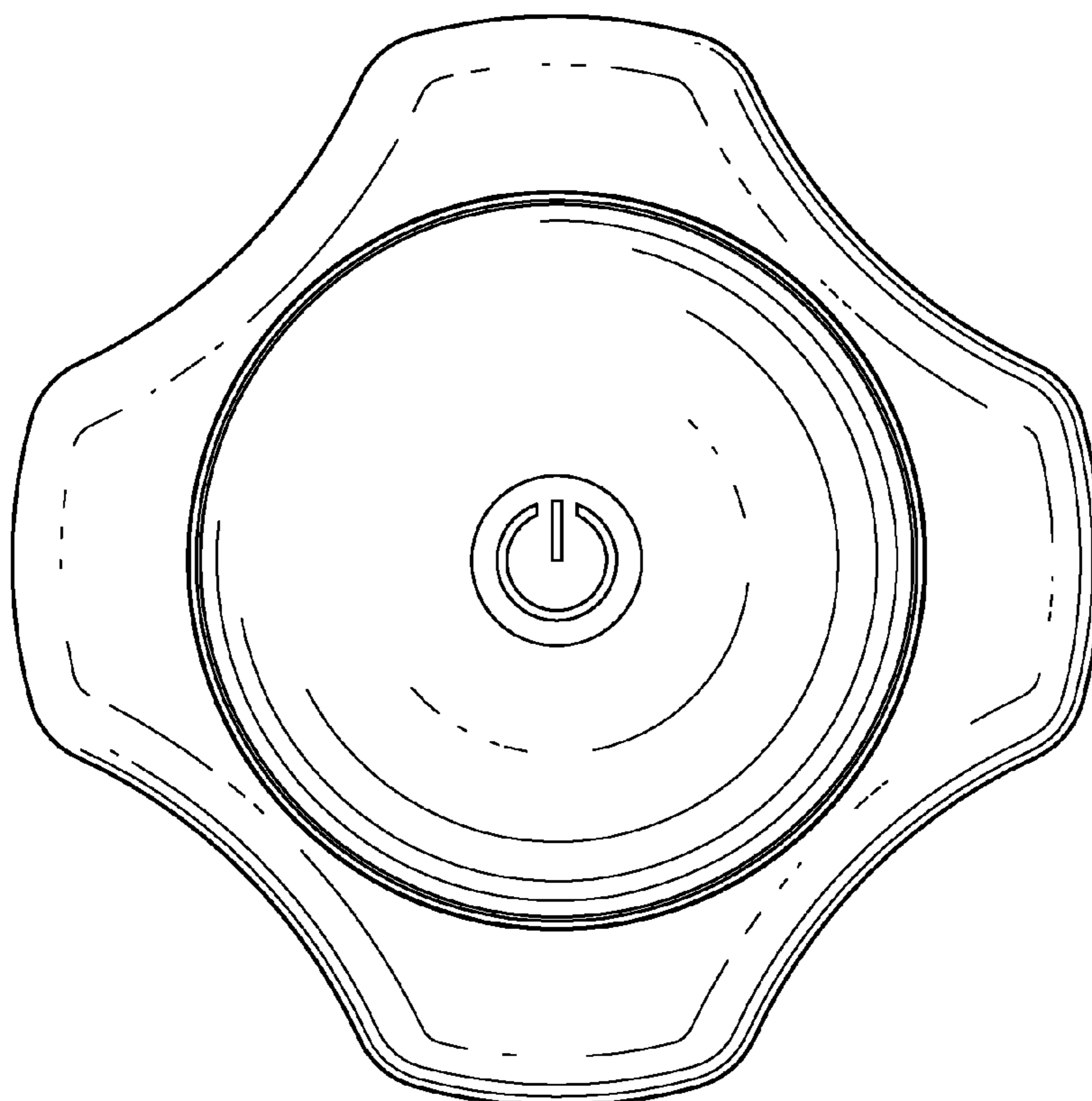


FIG. 2

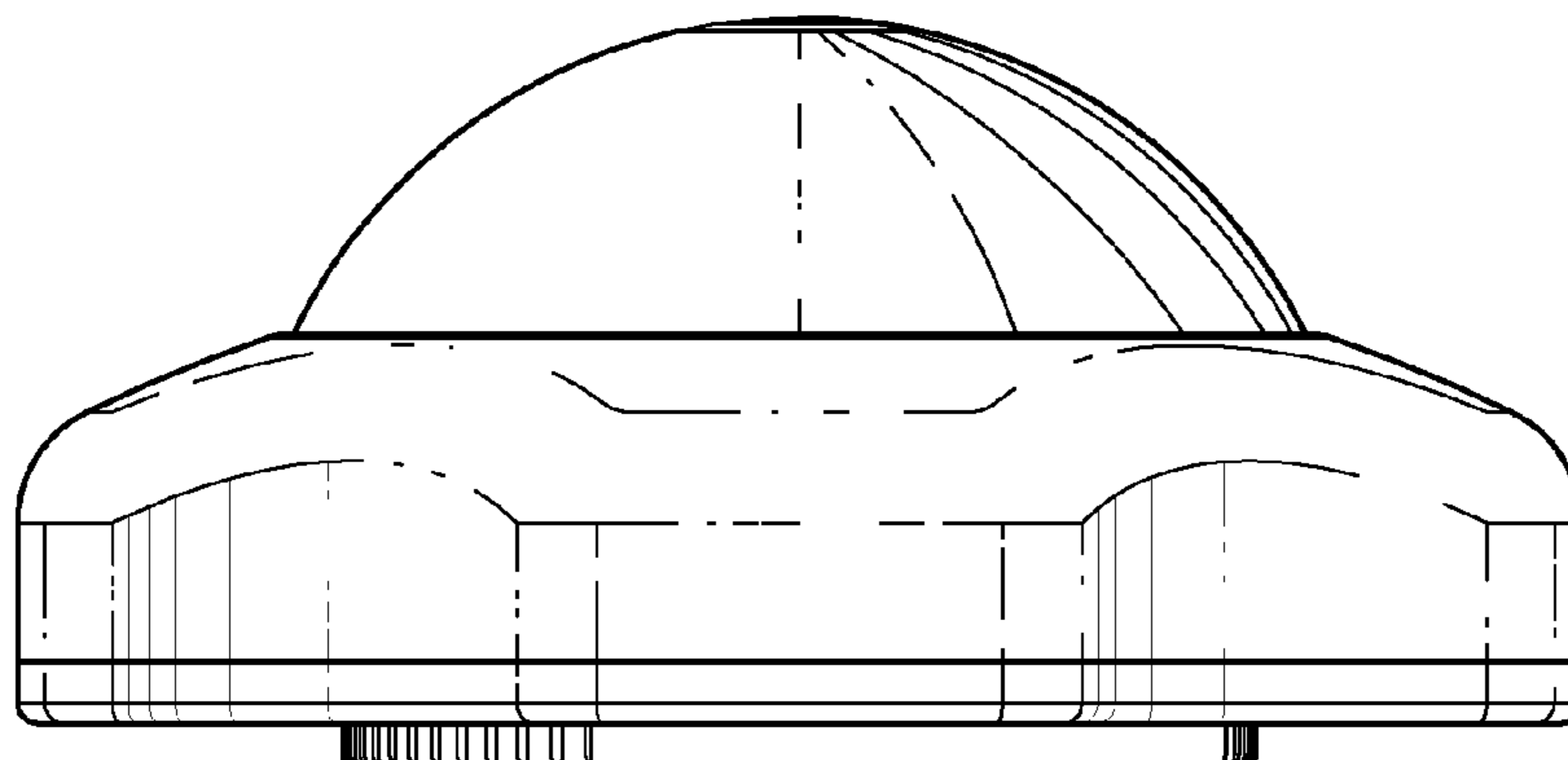


FIG. 3

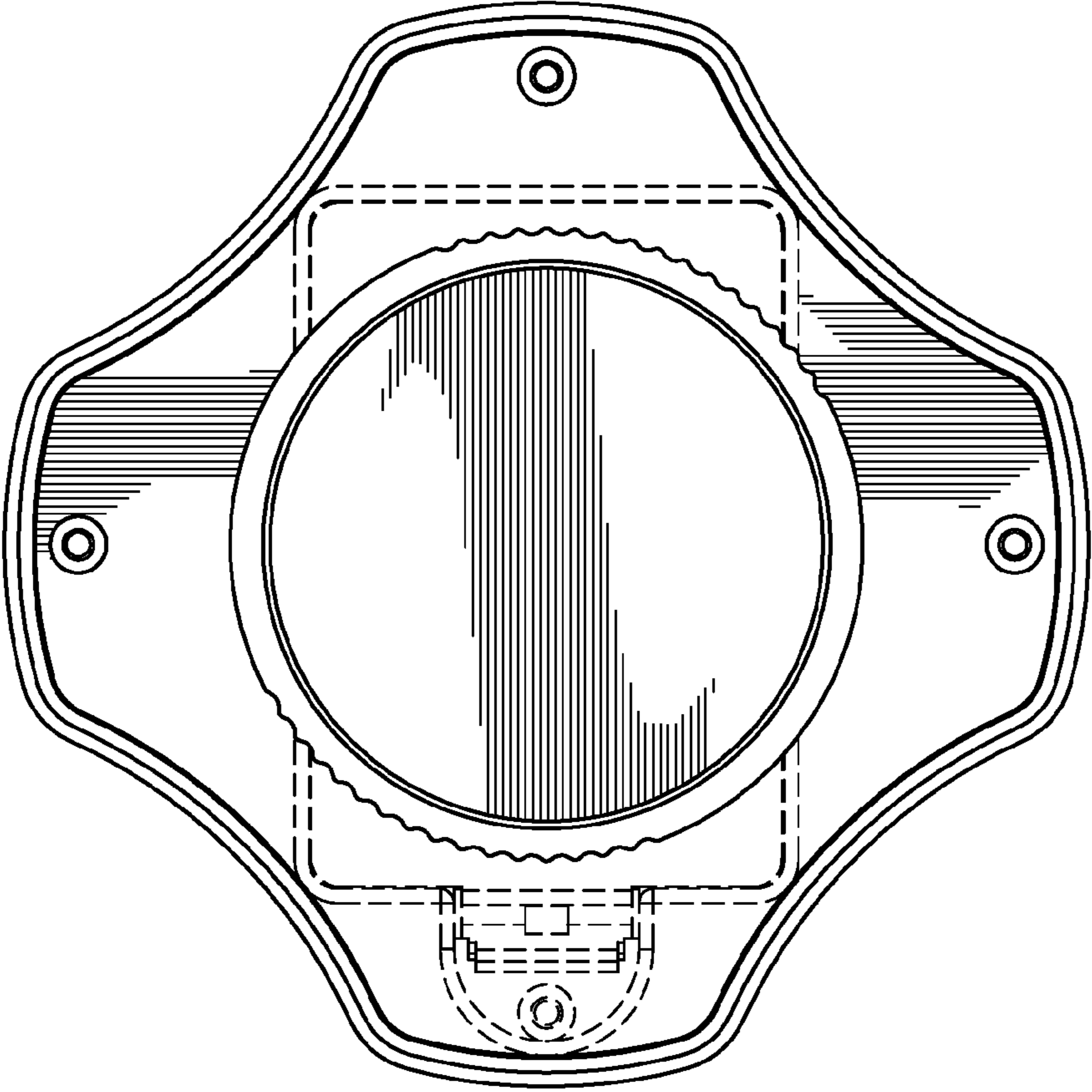


FIG. 5

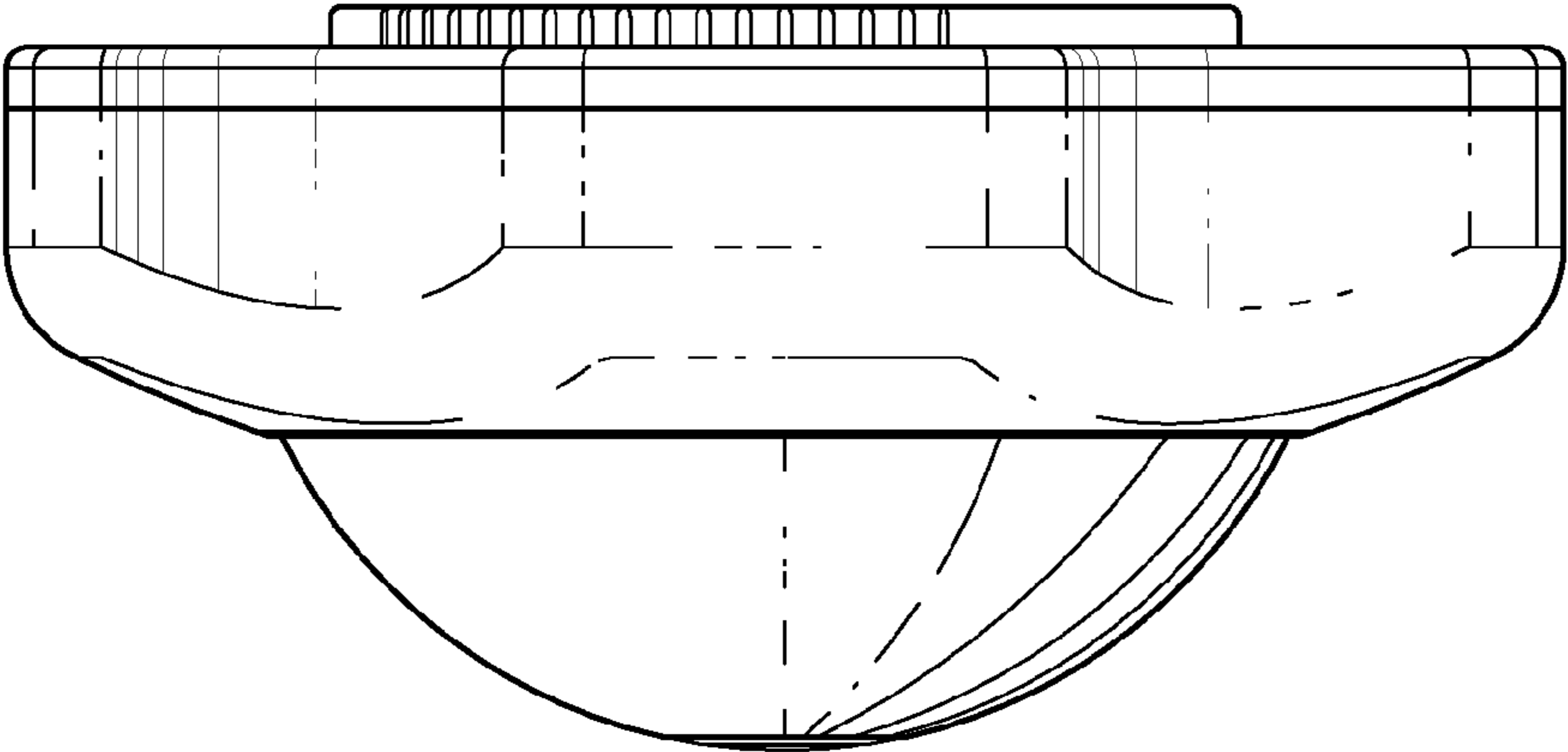


FIG. 4