



US00D580574S

(12) **United States Design Patent**
Leslie et al.

(10) **Patent No.:** **US D580,574 S**
(45) **Date of Patent:** **** Nov. 11, 2008**

(54) **UTILITY LIGHT**

(75) Inventors: **Stuart Leslie**, Larchmont, NY (US);
Roland Zeder, New York, NY (US)

(73) Assignee: **Honeywell International Inc.**,
Morristown, NJ (US)

(**) Term: **14 Years**

(21) Appl. No.: **29/283,357**

(22) Filed: **Aug. 11, 2007**

(51) **LOC (8) Cl.** **26-02**

(52) **U.S. Cl.** **D26/37; D26/63**

(58) **Field of Classification Search** D26/24,
D26/26, 37, 72, 39, 43, 60-61, 63-64, 66;
362/157, 159, 182-184, 186, 200-201, 208,
362/640-644, 98-99, 177, 181, 190, 197-198,
362/490, 116; D10/5

See application file for complete search history.

(56) **References Cited**

U.S. PATENT DOCUMENTS

- D358,223 S * 5/1995 Ferrell et al. D26/37
- D486,260 S * 2/2004 Christianson et al. D26/60
- D498,551 S * 11/2004 Chan D26/37
- D507,673 S * 7/2005 Martin D26/60
- D524,962 S * 7/2006 Farmer D26/37

D527,129 S * 8/2006 Hodgson D26/42

* cited by examiner

Primary Examiner—Ian Simmons
Assistant Examiner—Dana L Sipos

(57) **CLAIM**

We claim, the ornamental design for a utility light, as shown and described.

DESCRIPTION

FIG. 1 is a top plan view of a utility light showing our new design;

FIG. 2 is a left side elevation view thereof, the right side elevation view being a mirror image;

FIG. 3 is a bottom plan view thereof;

FIG. 4 is a bottom, rear, left side perspective view thereof;

FIG. 5 is a top, front, right side perspective view thereof;

FIG. 6 is a front elevation view thereof;

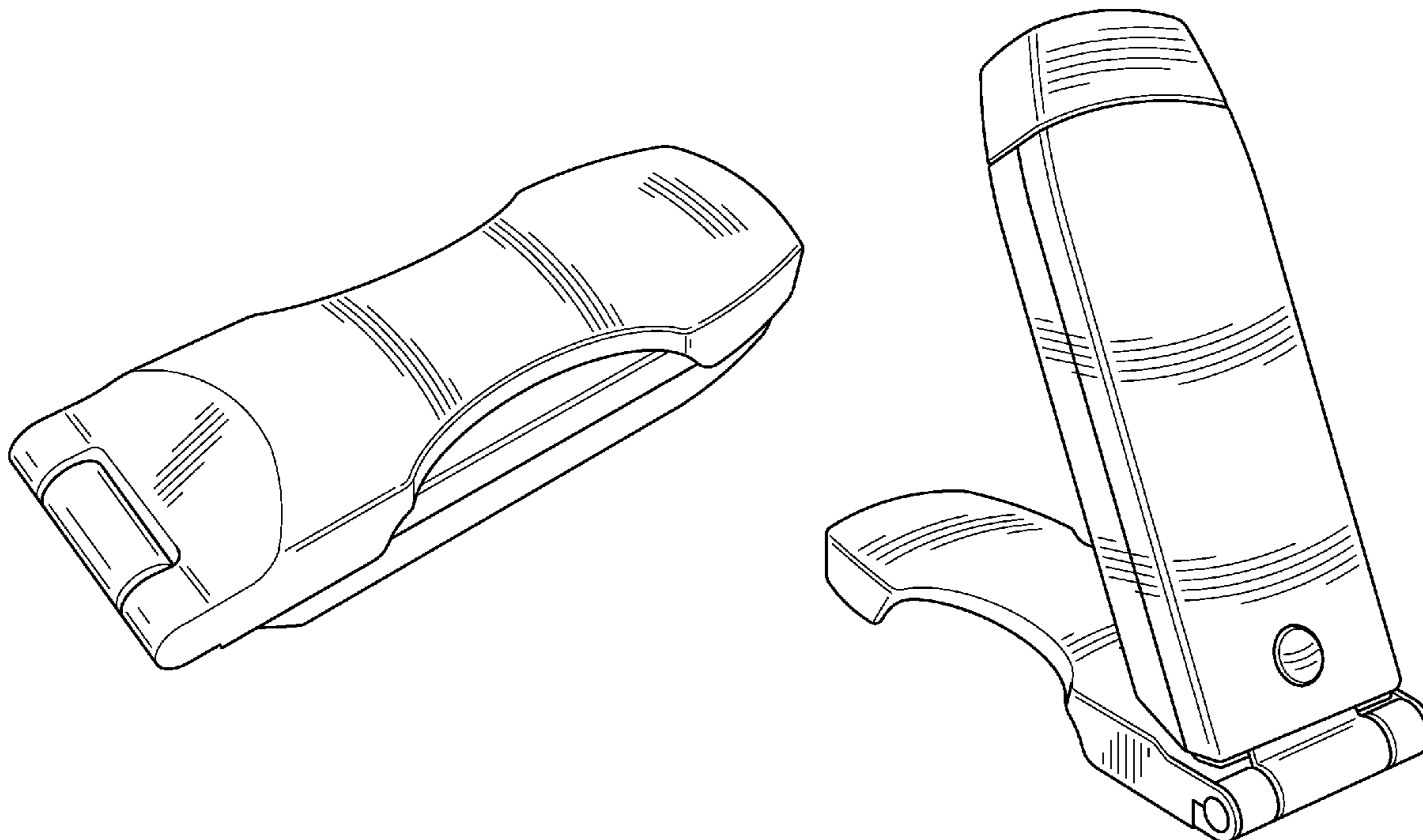
FIG. 7 is a rear elevation view thereof;

FIG. 8 is a top, front perspective view of the utility light of FIG. 1 shown in an open, operational position;

FIG. 9 is a right side elevation view thereof; and,

FIG. 10 is a top, front, left side perspective view thereof.

1 Claim, 3 Drawing Sheets



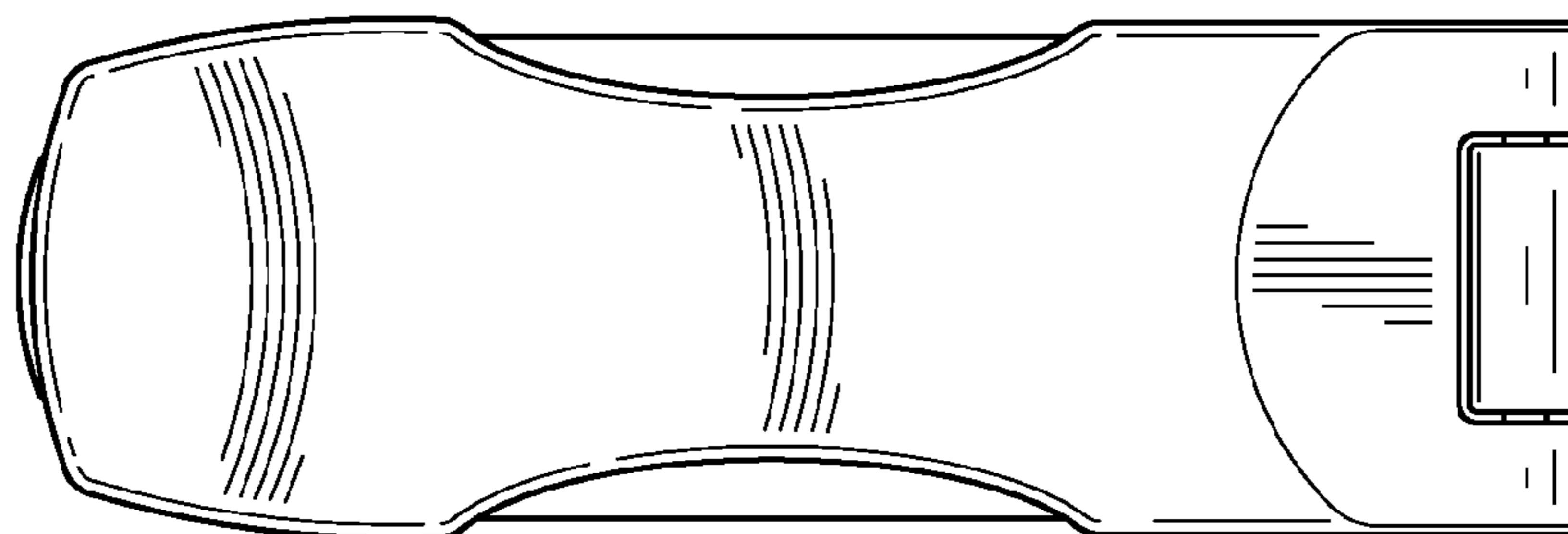


FIG. 1

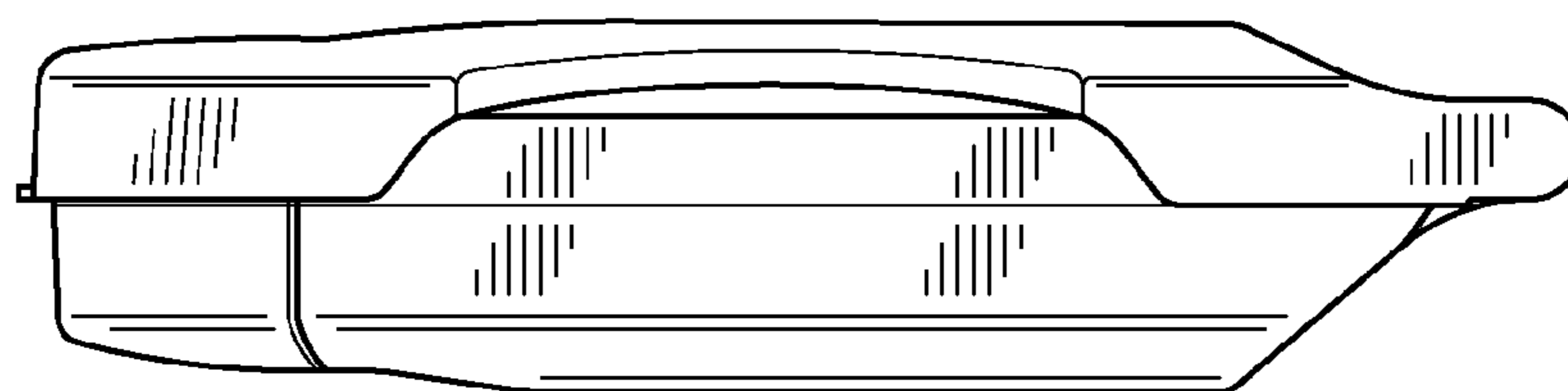


FIG. 2

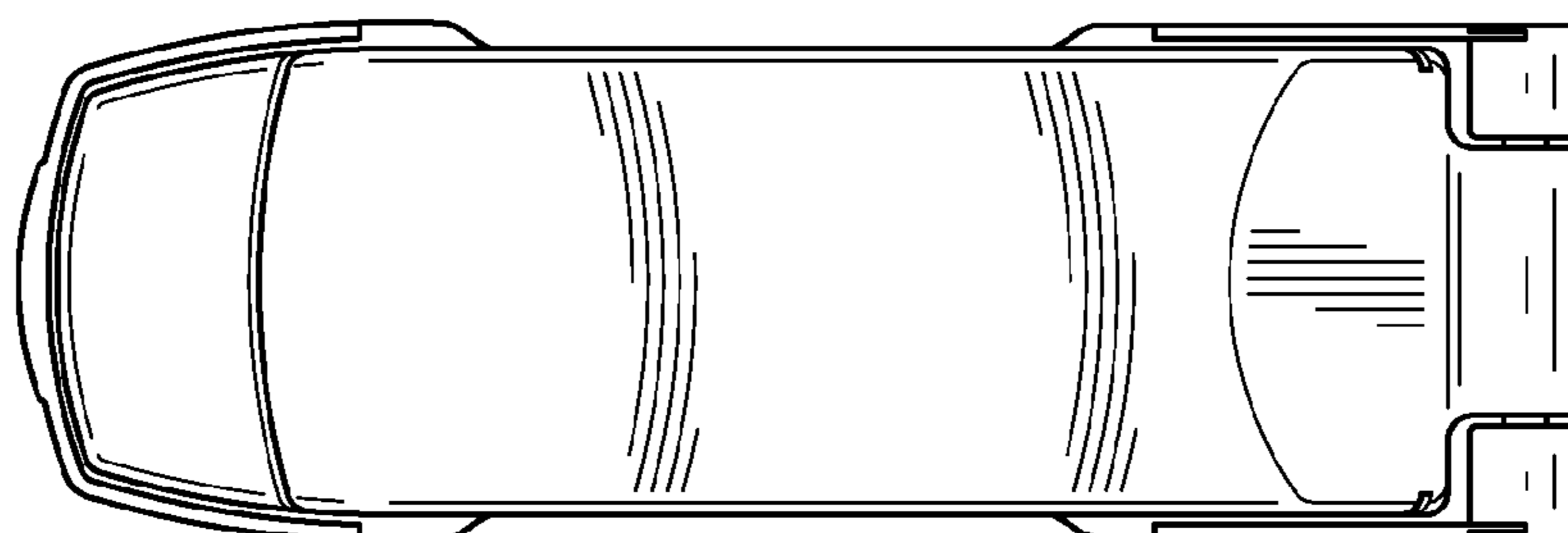


FIG. 3

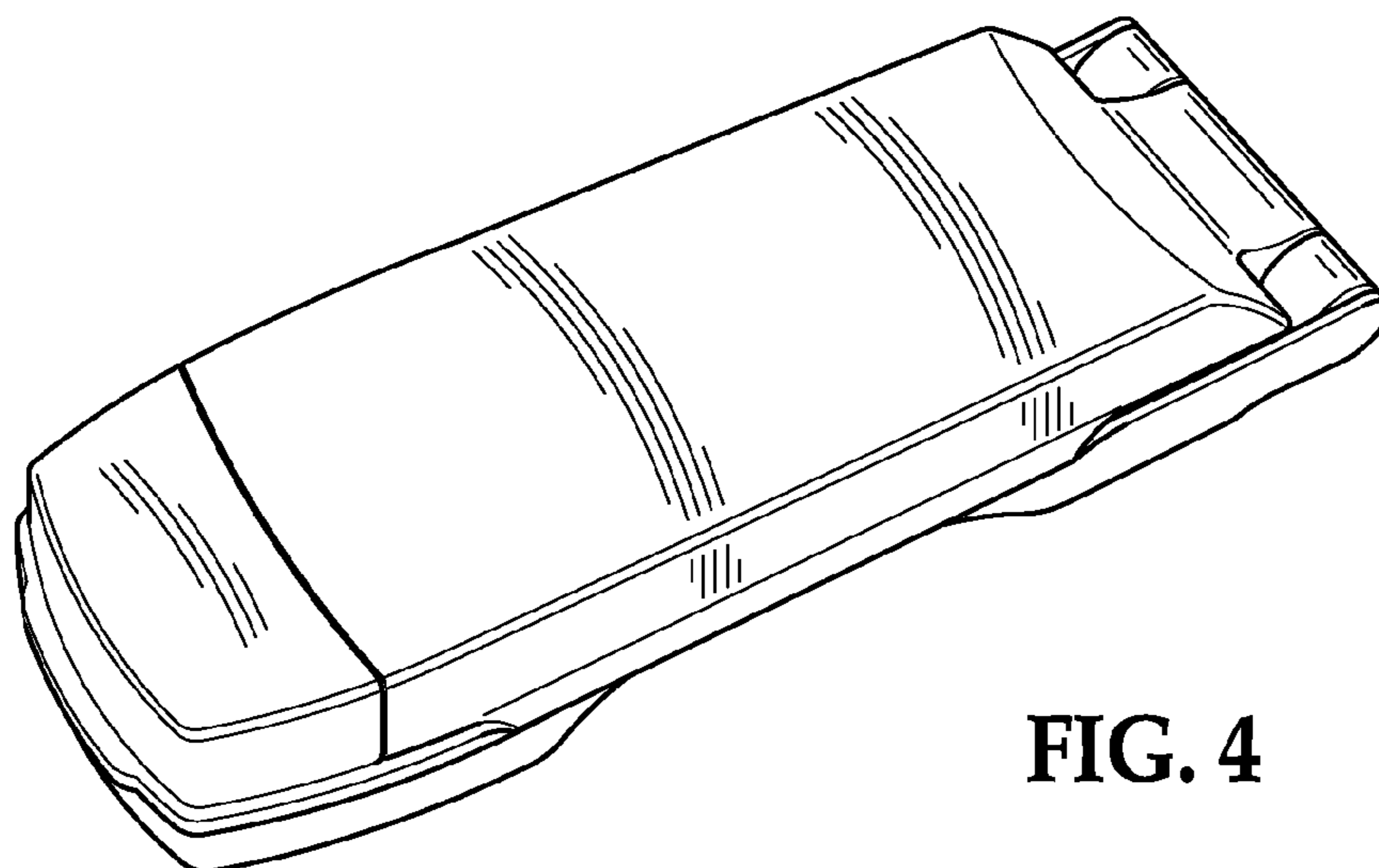


FIG. 4

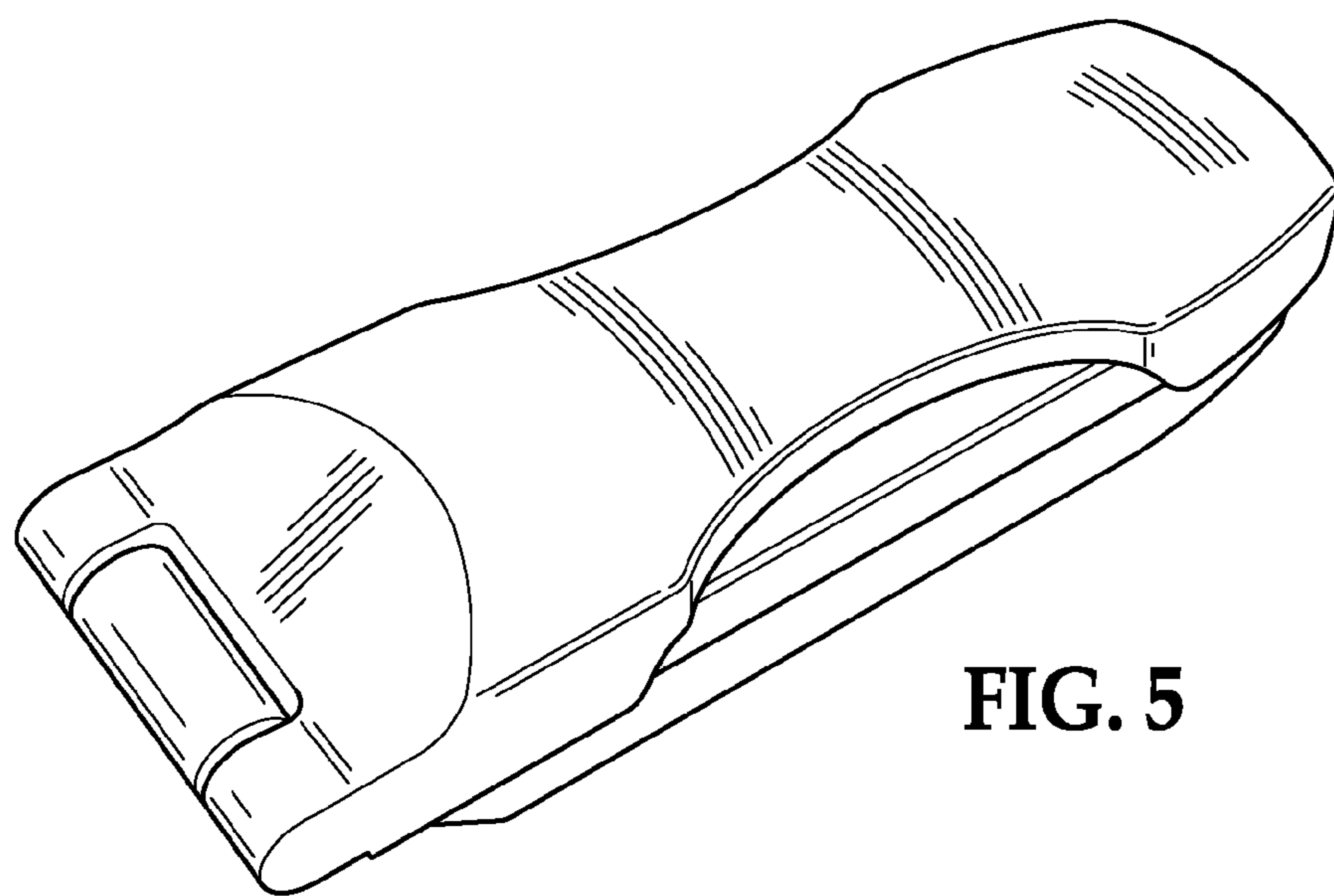


FIG. 5

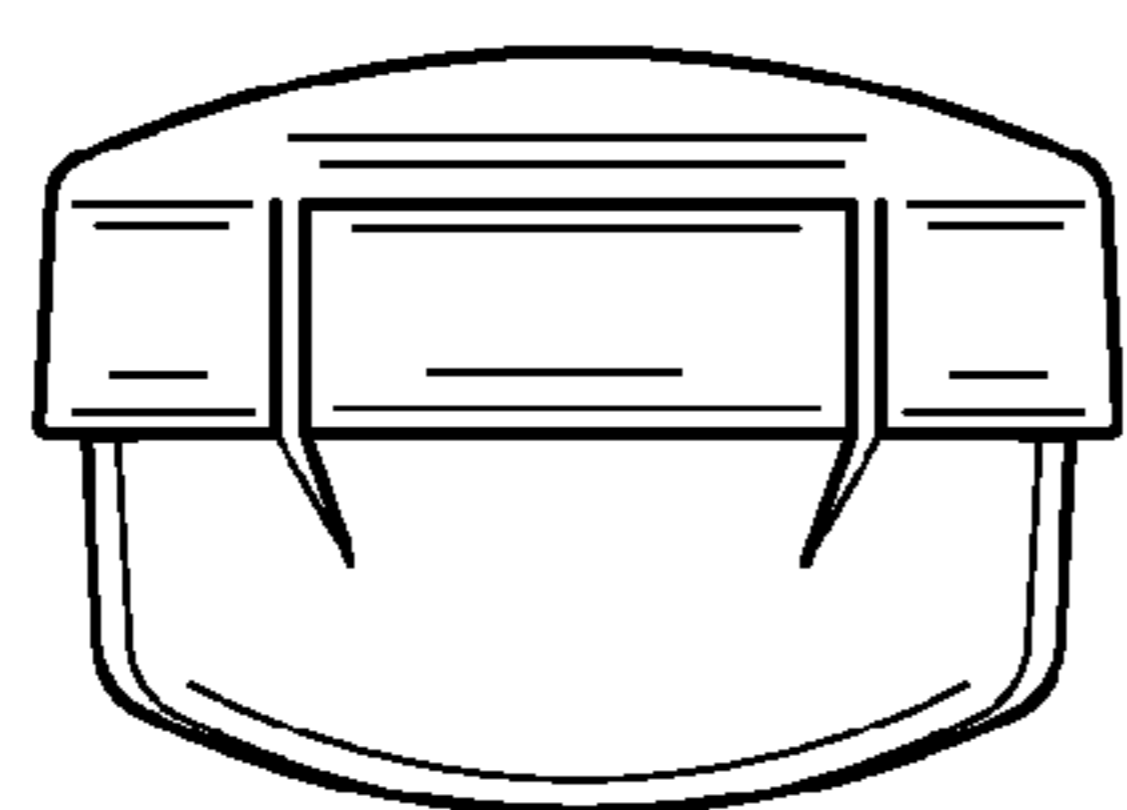


FIG. 6

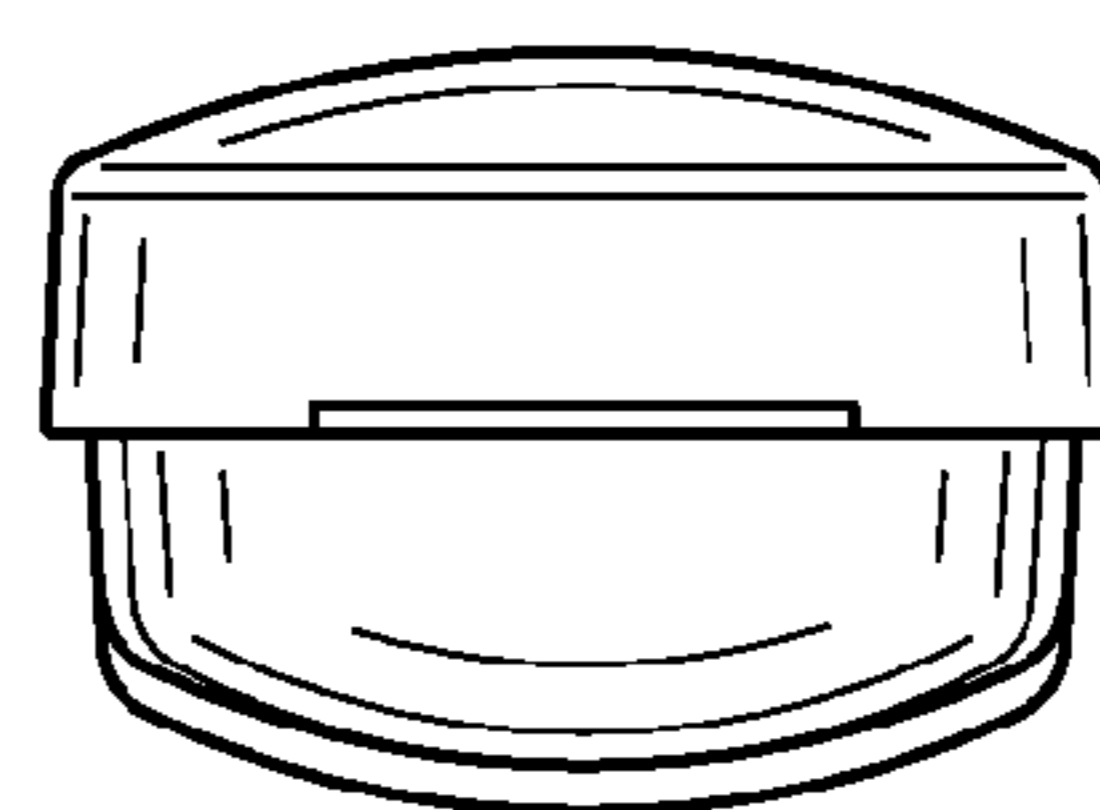


FIG. 7

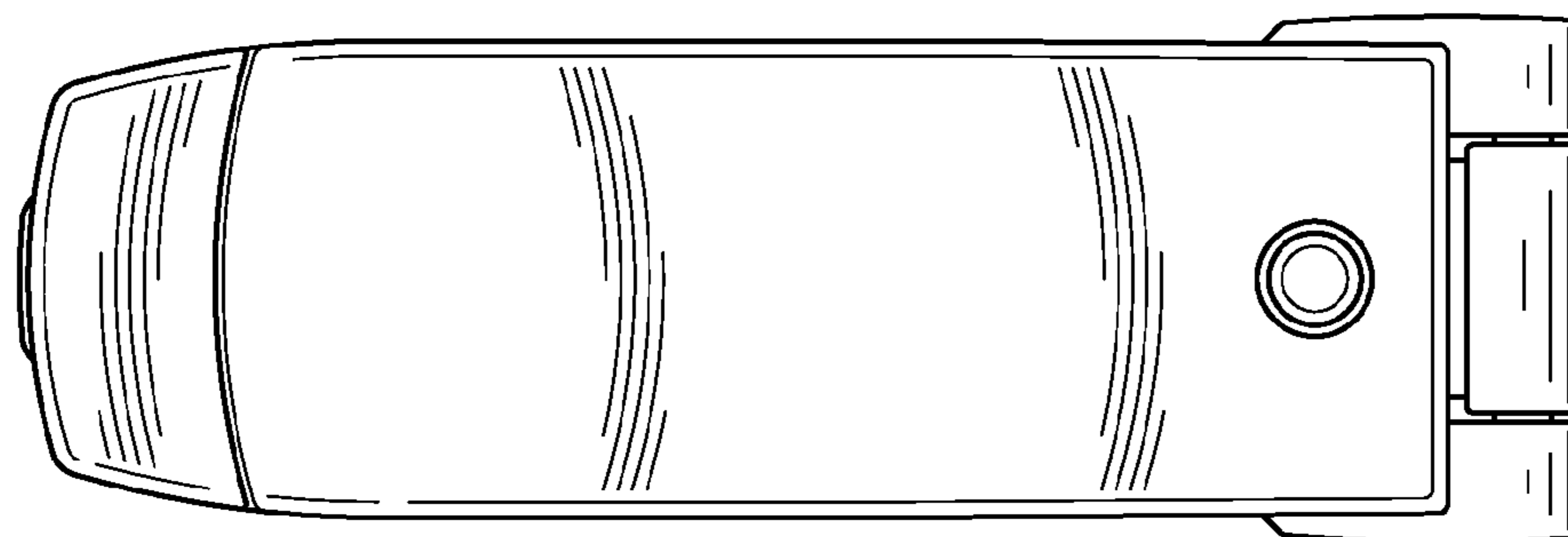


FIG. 8

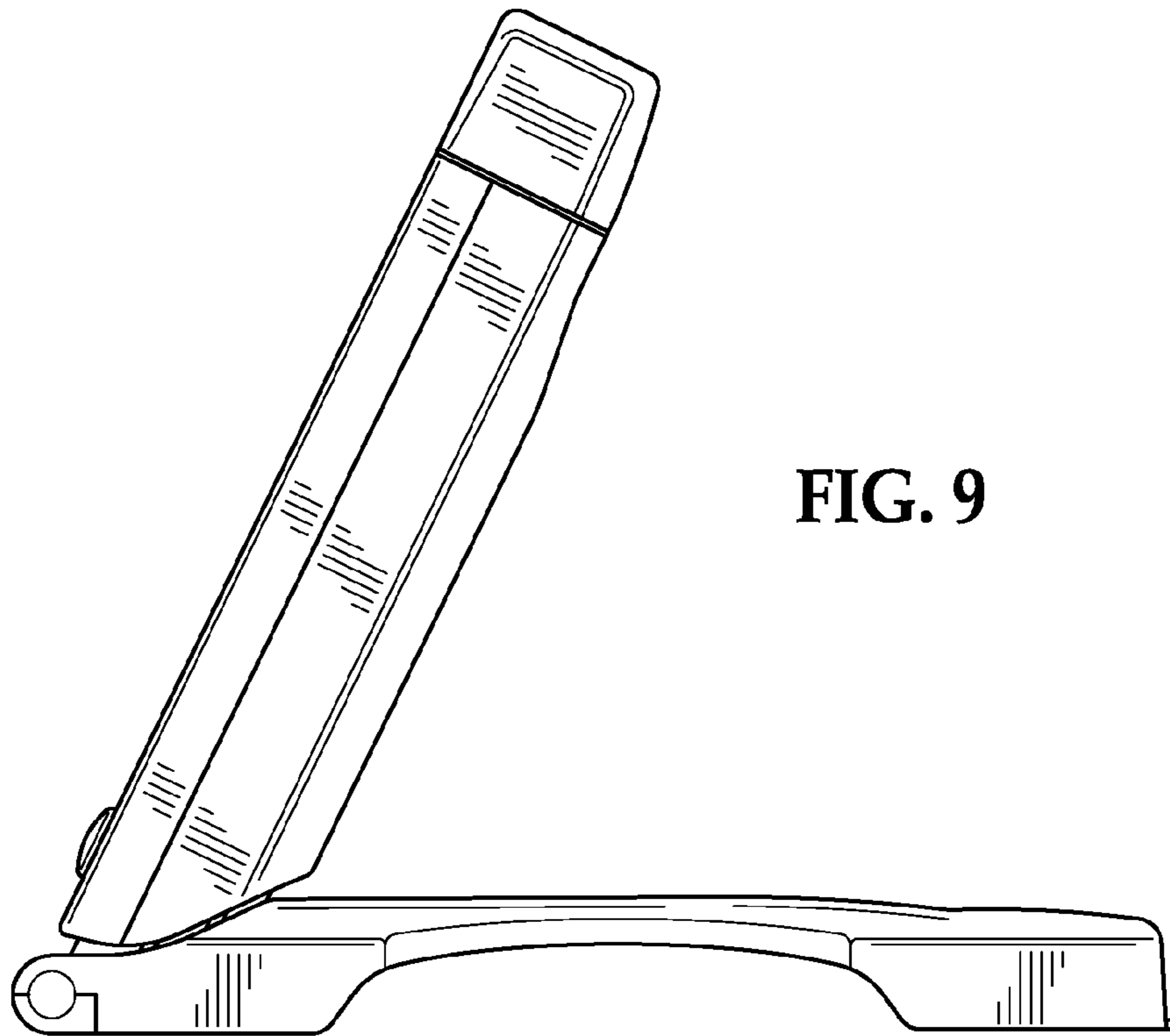


FIG. 9

FIG. 10

