



US00D580572S

(12) **United States Design Patent**
Lamm

(10) **Patent No.:** **US D580,572 S**

(45) **Date of Patent:** **** Nov. 11, 2008**

(54) **VEHICLE TAILLIGHT**

(75) Inventor: **Stefan Lamm**, Köln (DE)

(73) Assignee: **Ford Motor Company**, Dearborn, MI (US)

(**) Term: **14 Years**

(21) Appl. No.: **29/306,914**

(22) Filed: **Apr. 18, 2008**

(51) **LOC (8) Cl.** **26-06**

(52) **U.S. Cl.** **D26/28**

(58) **Field of Classification Search** D26/28-36;
362/459-468, 475-478, 485-487
See application file for complete search history.

(56) **References Cited**

U.S. PATENT DOCUMENTS

D477,429 S *	7/2003	Lin	D26/28
D481,477 S *	10/2003	Horowitz et al.	D26/28
D483,890 S *	12/2003	Lin	D26/28
D490,170 S *	5/2004	Metros et al.	D26/28
D491,299 S *	6/2004	Simmons et al.	D26/28
D538,452 S *	3/2007	Pfeiffer	D26/28
D539,450 S *	3/2007	Pfeiffer	D26/28
D553,269 S *	10/2007	Pfeiffer et al.	D26/28

OTHER PUBLICATIONS

Beijin 2004 Concept Focus, <http://www.a2mac1.net>.
2005 Geneva Motor Show Concept SAV, <http://www.a2mac1.net>.
Frankfort Motor Show 2005 Iosis Concept, <http://www.a2mac1.net>.
Paris Motor Show 2006 IosisX Concept, <http://www.a2mac1.net>.
Frankfort Autoshow Aug. 2007, <http://www.a2mac1.net>.
Detroit Auto Show Jan. 2008, <http://www.a2mac1.net>.

2008 S.A. Ford Fiesta, <http://www.a2mac1.net>.
2008 Australian Focus, <http://www.a2mac1.net>.
www.zercustoms.com prior to Apr. 18, 2008.

* cited by examiner

Primary Examiner—Marcus A. Jackson

(74) *Attorney, Agent, or Firm*—Damian Porcari

(57) **CLAIM**

The ornamental design for a vehicle taillight, as shown and described.

DESCRIPTION

The Vehicle taillight is styled independently of adjacent vehicle panels. To the extent that any feature lines are illustrated, they are intended to illustrate the crest and valley of the feature and are not necessarily sharp bends in the part. Shading is used to illustrate the curvature of the part and not color. Views are orthogonal projections. The various views are not necessarily to scale in order to better illustrate the design.

FIG. 1 is a first perspective view of a left vehicle taillight, as seen from the rear of a vehicle (the right vehicle taillight being a mirror of the left and is not illustrated);

FIG. 2 is a second perspective view of the vehicle taillight;

FIG. 3 is a front elevational view of the vehicle taillight;

FIG. 4 is a left side elevational view of the vehicle taillight;

FIG. 5 is a right side elevational view of the vehicle taillight;

FIG. 6 is top plan view of the vehicle taillight;

FIG. 7 is a bottom plan view of the vehicle taillight; and,

FIG. 8 is a rear elevational view of the vehicle taillight.

1 Claim, 7 Drawing Sheets





Figure 1



Figure 2



Figure 3

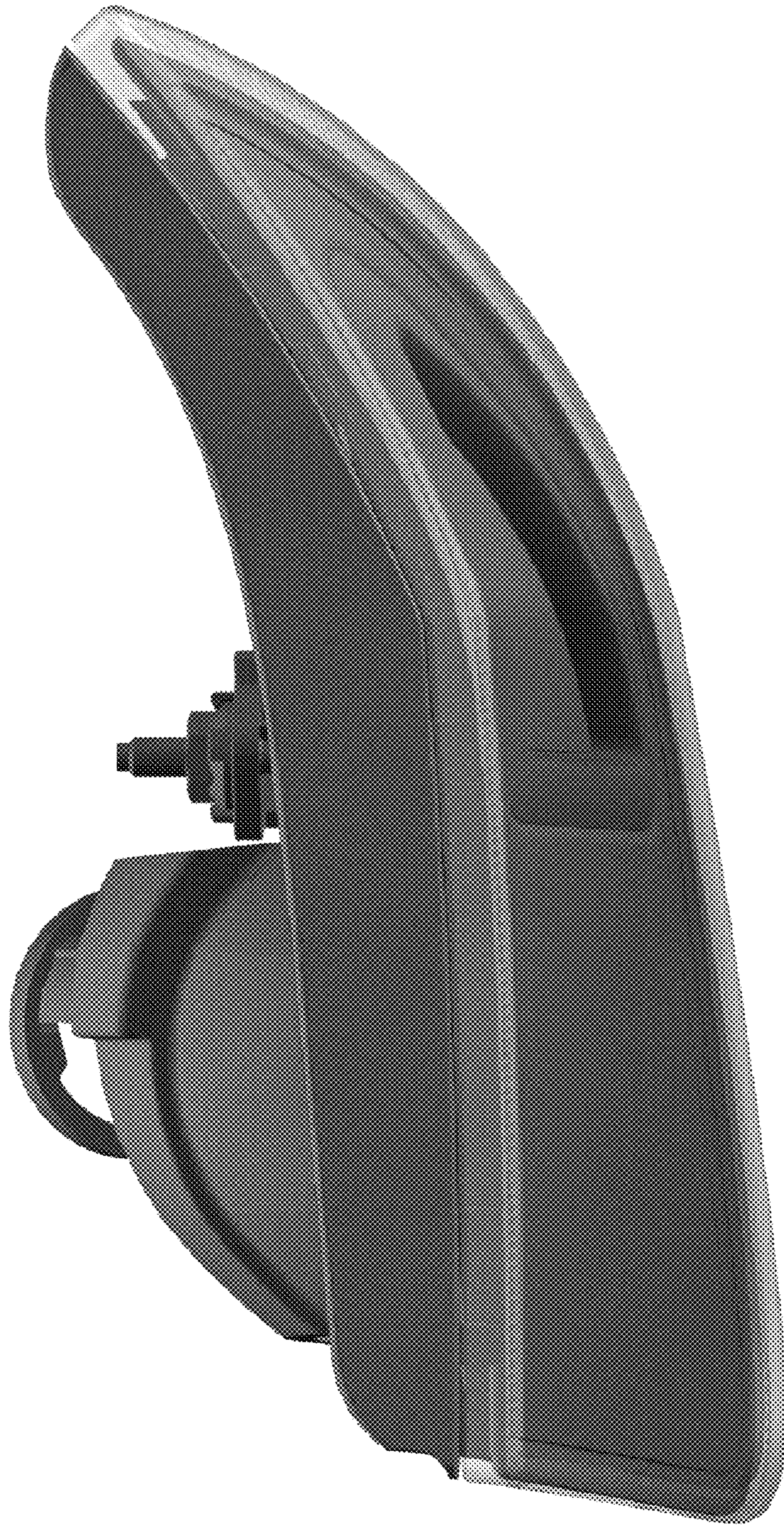


Figure 4

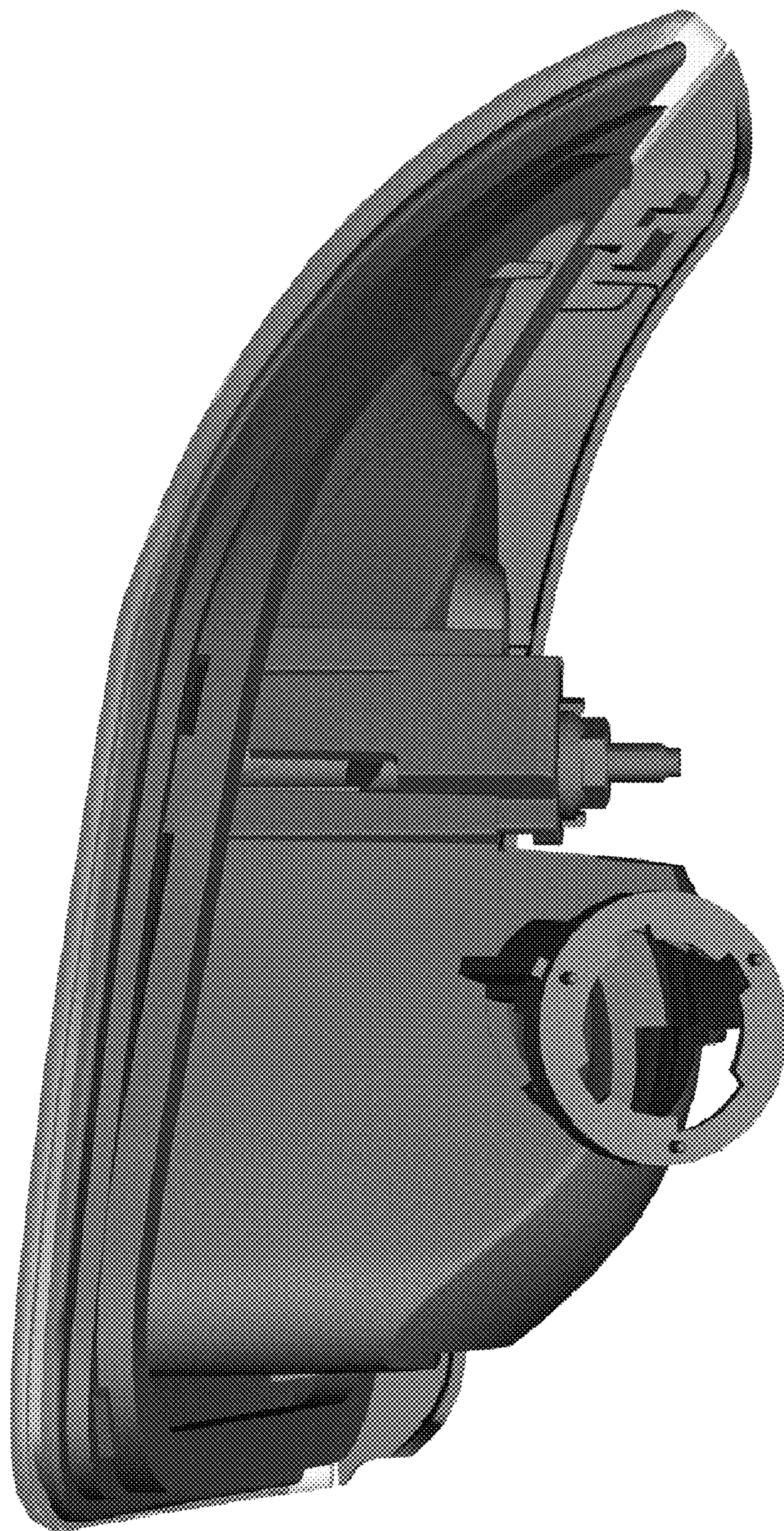


Figure 5

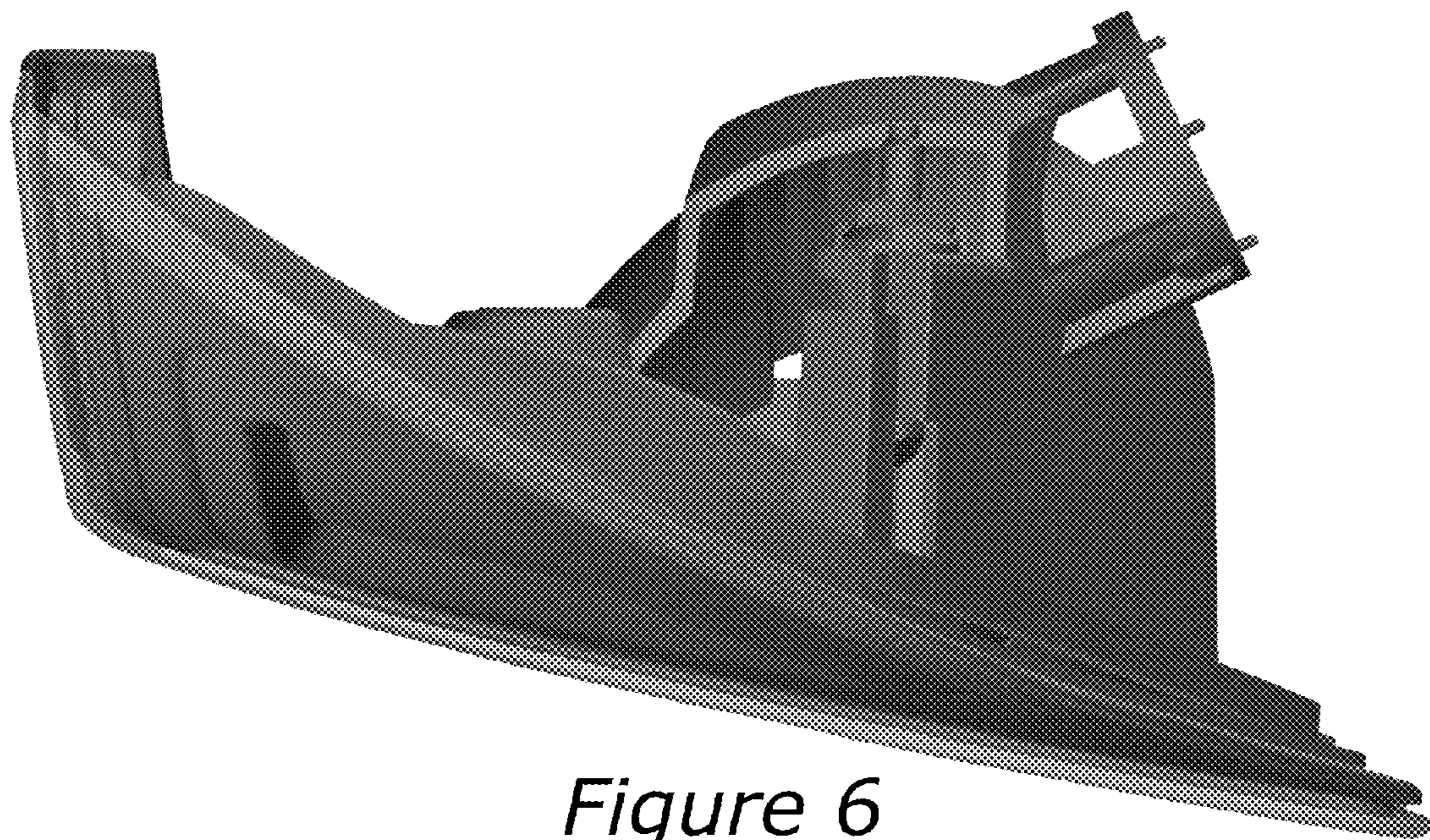


Figure 6

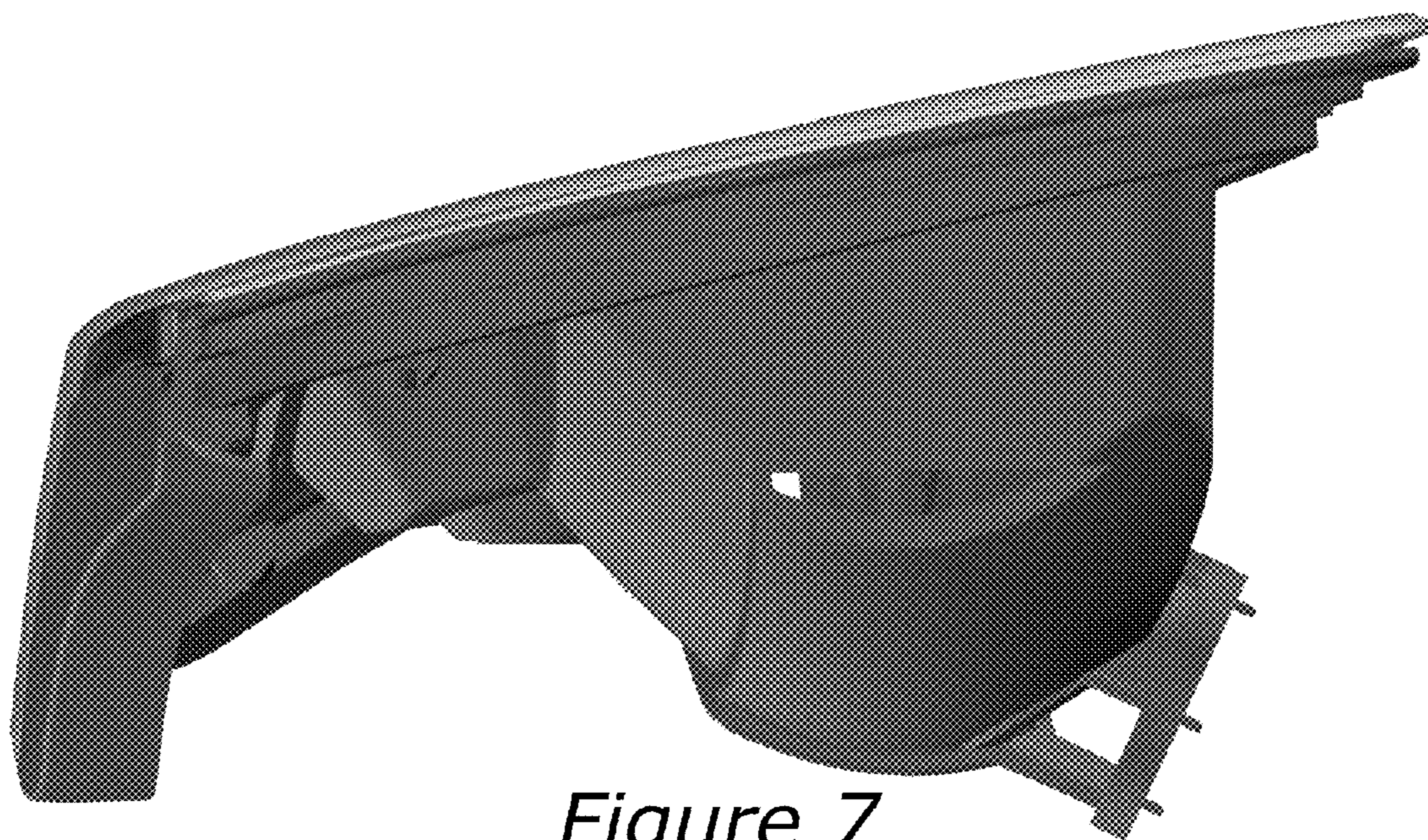


Figure 7



Figure 8