



US00D580571S

(12) **United States Design Patent**
Gotschke

(10) **Patent No.:** **US D580,571 S**

(45) **Date of Patent:** **** Nov. 11, 2008**

(54) **VEHICLE HEADLIGHT**

(57) **CLAIM**

(75) Inventor: **Wolfgang Gotschke**, Cologne (DE)

The ornamental design for a vehicle headlight, as shown and described.

(73) Assignee: **Ford Global Technologies, LLC**, Dearborn, MI (US)

(**) Term: **14 Years**

(21) Appl. No.: **29/303,671**

(22) Filed: **Feb. 14, 2008**

(30) **Foreign Application Priority Data**

Aug. 14, 2007 (CN) 2007 3 0150055

(51) **LOC (8) Cl.** **26-06**

(52) **U.S. Cl.** **D26/28**

(58) **Field of Classification Search** D26/28-36;
362/459-468, 475-478, 485-487

See application file for complete search history.

(56) **References Cited**

U.S. PATENT DOCUMENTS

D560,291 S *	1/2008	Koyama	D26/28
D560,832 S *	1/2008	Hsu	D26/28
D561,358 S *	2/2008	Tachibana	D26/28
D561,359 S *	2/2008	Hsu	D26/28
D563,576 S *	3/2008	Hanaoka	D26/28

OTHER PUBLICATIONS

- U.S. Appl. No. 29/284,732, filed Sep. 14, 2007, Saridakis.
- U.S. Appl. No. 29/295,767, filed Oct. 5, 2007, Ebel.
- U.S. Appl. No. 29/295,959, filed Oct. 11, 2007, Song.
- U.S. Appl. No. 29/296,008, filed Oct. 12, 2007, Walter.
- U.S. Appl. No. 29/298,786, filed Dec. 13, 2007, Gueler.
- <http://www.zercustoms.com/photos/2009-Ford-Focus-RS.html>.

* cited by examiner

Primary Examiner—Marcus A. Jackson

(74) *Attorney, Agent, or Firm*—Damian Porcari

DESCRIPTION

FIG. 1 is a front perspective view of a left vehicle headlight (as viewed from the front of the vehicle), the outer lens having been rendered opaque using the Computer Aided Design tools to better illustrate the exterior decorative surfaces. Only the left vehicle headlight is illustrated (the right vehicle headlight is a mirror of the left and is not illustrated but nonetheless covered by this patent);

FIG. 2 is a front elevational view of the vehicle headlight (as viewed from the front a vehicle to which the vehicle headlight is attached);

FIG. 3 is a left side elevational view of the vehicle headlight;

FIG. 4 is a right side elevational view of the vehicle headlight;

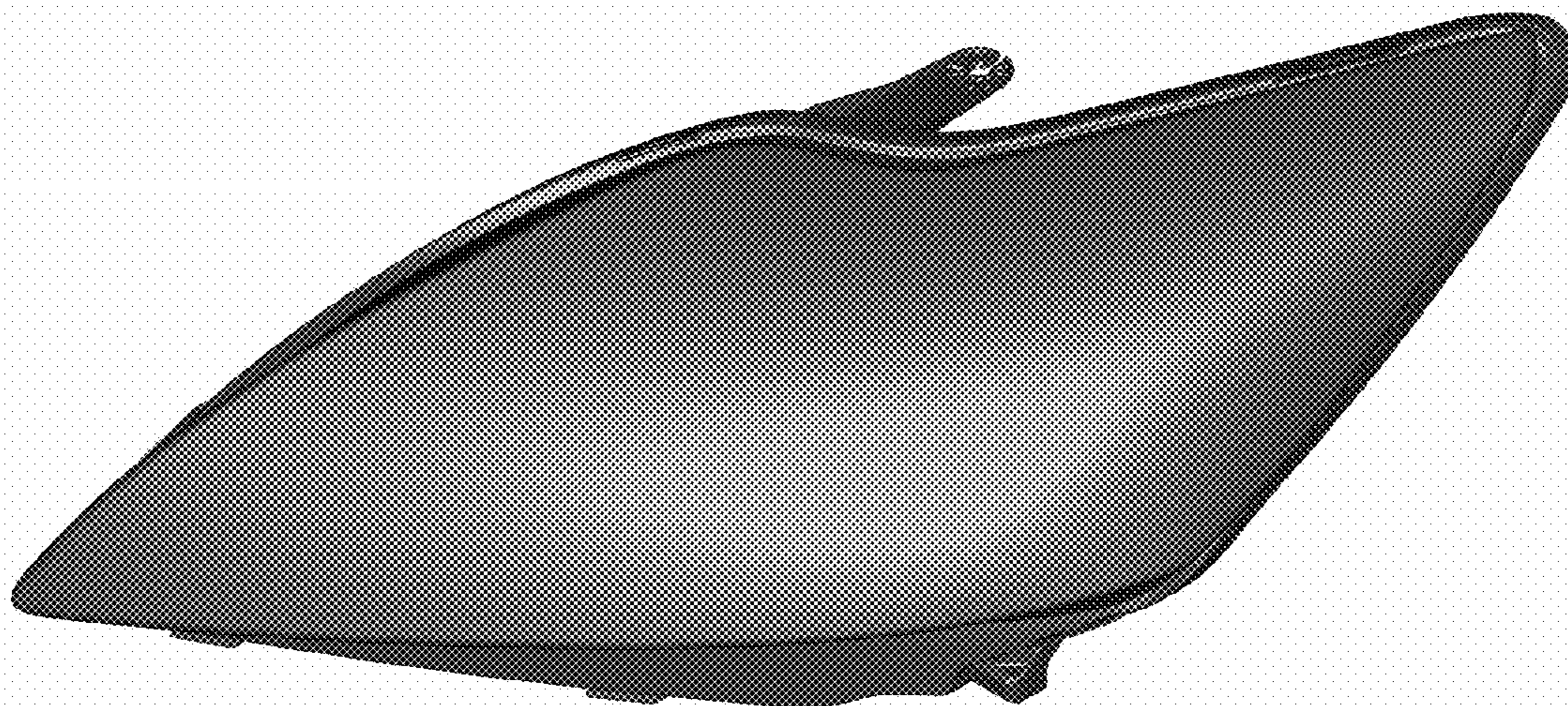
FIG. 5 is a top plan view of the vehicle headlight;

FIG. 6 is bottom plan view of the vehicle headlight; and,

FIG. 7 is a rear elevational view of the vehicle headlight.

The Vehicle Headlight is styled independently of adjacent vehicle panels. To the extent that any feature lines are illustrated, they are intended to illustrate the crest and valley of the feature and are not necessarily sharp bends in the part. Shading is used to illustrate the curvature of the part and not color. Areas shown in or sounded by broken lines are not claimed. Any functional features of the Vehicle Headlight are not claimed. Views are orthogonal projections unless otherwise noted. The various views are not necessarily to scale in order to better illustrate the design. The drawings were generated using Computer Aided Design tools. Highlights and shading were added to the drawings to better illustrate the three-dimensional features of the part. The Vehicle Headlight is intended to be observed in various states of internal illumination as well as in daylight with no internal illumination.

1 Claim, 7 Drawing Sheets



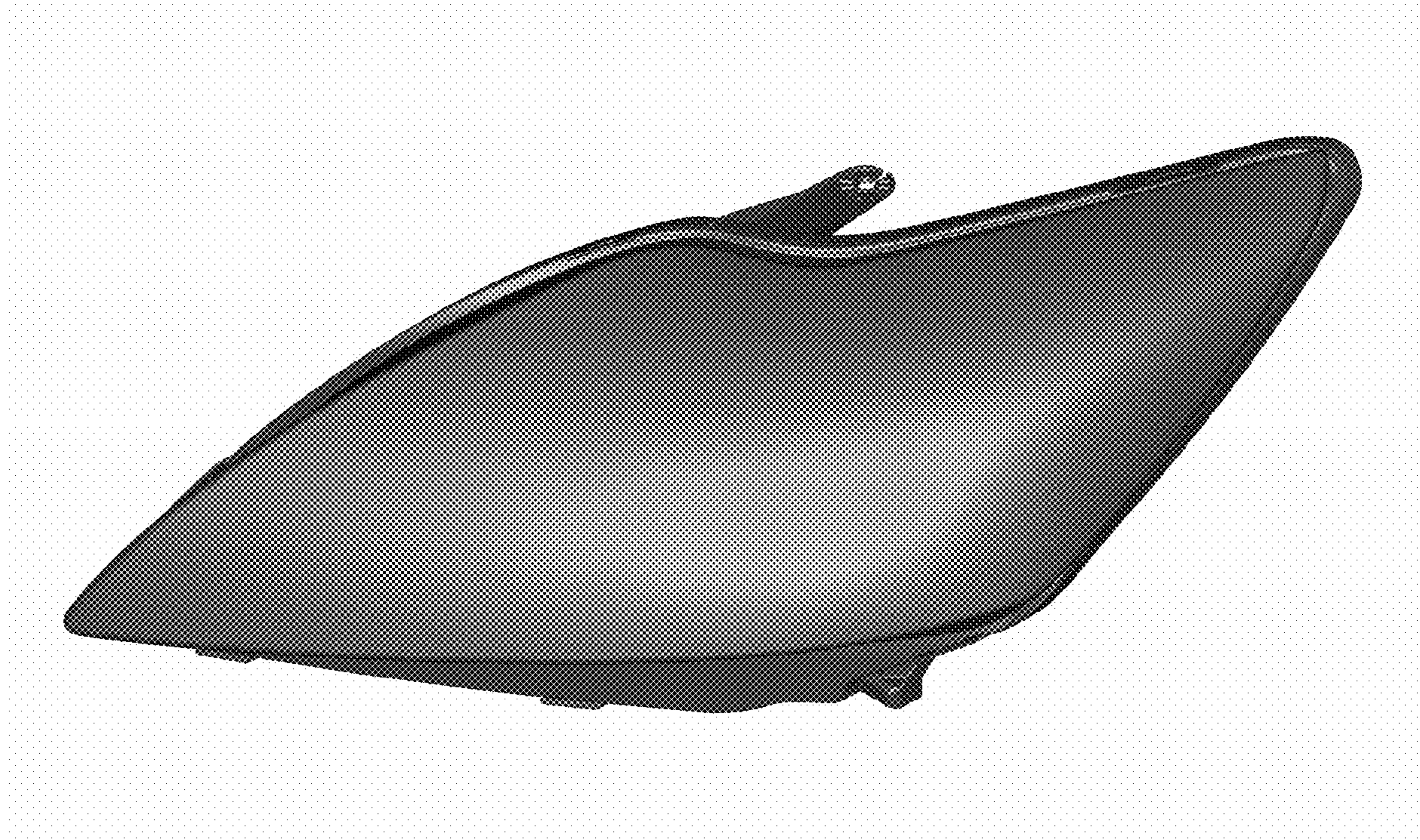


Fig 1



Fig 2



Fig 3

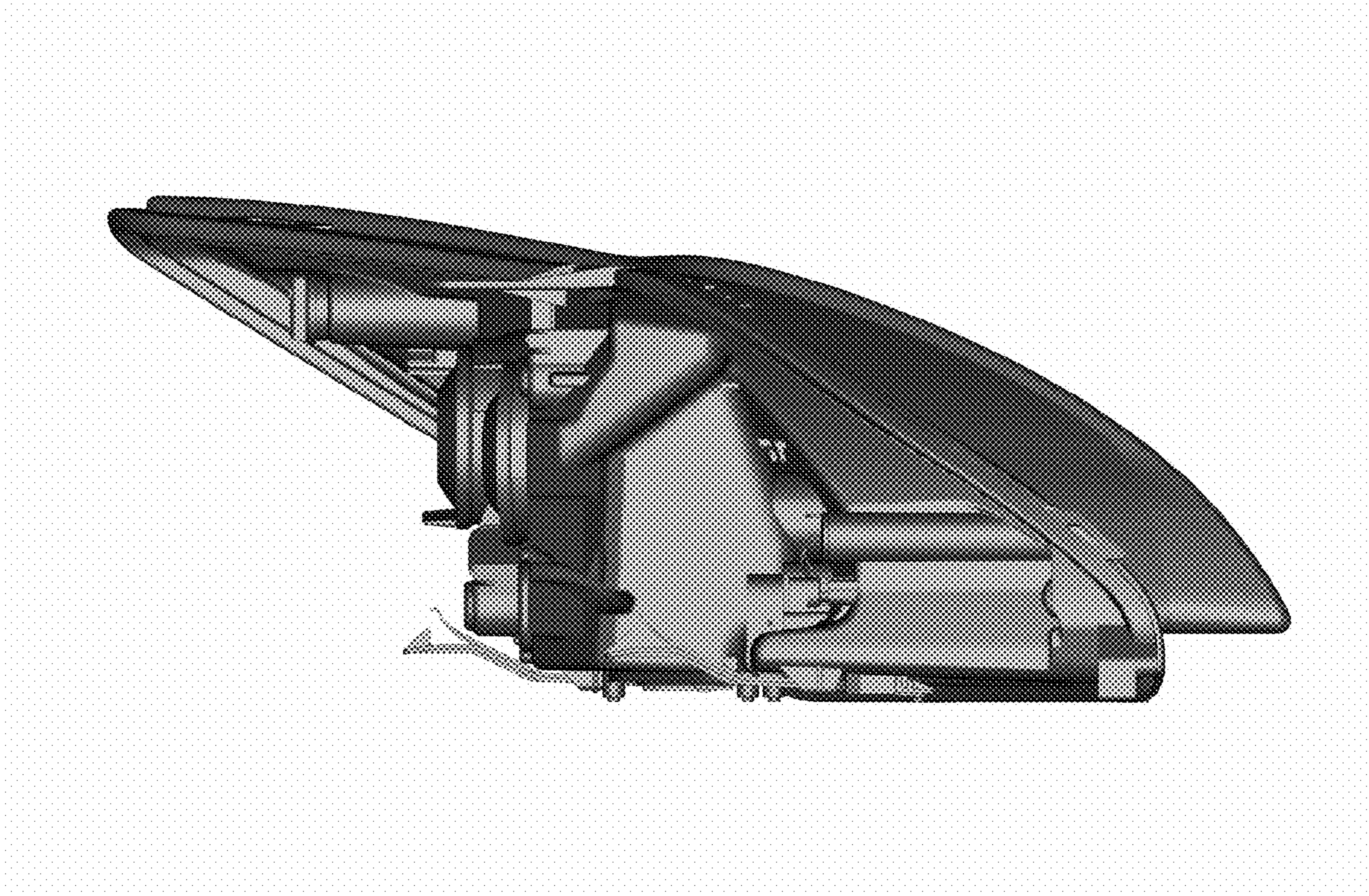


Fig 4

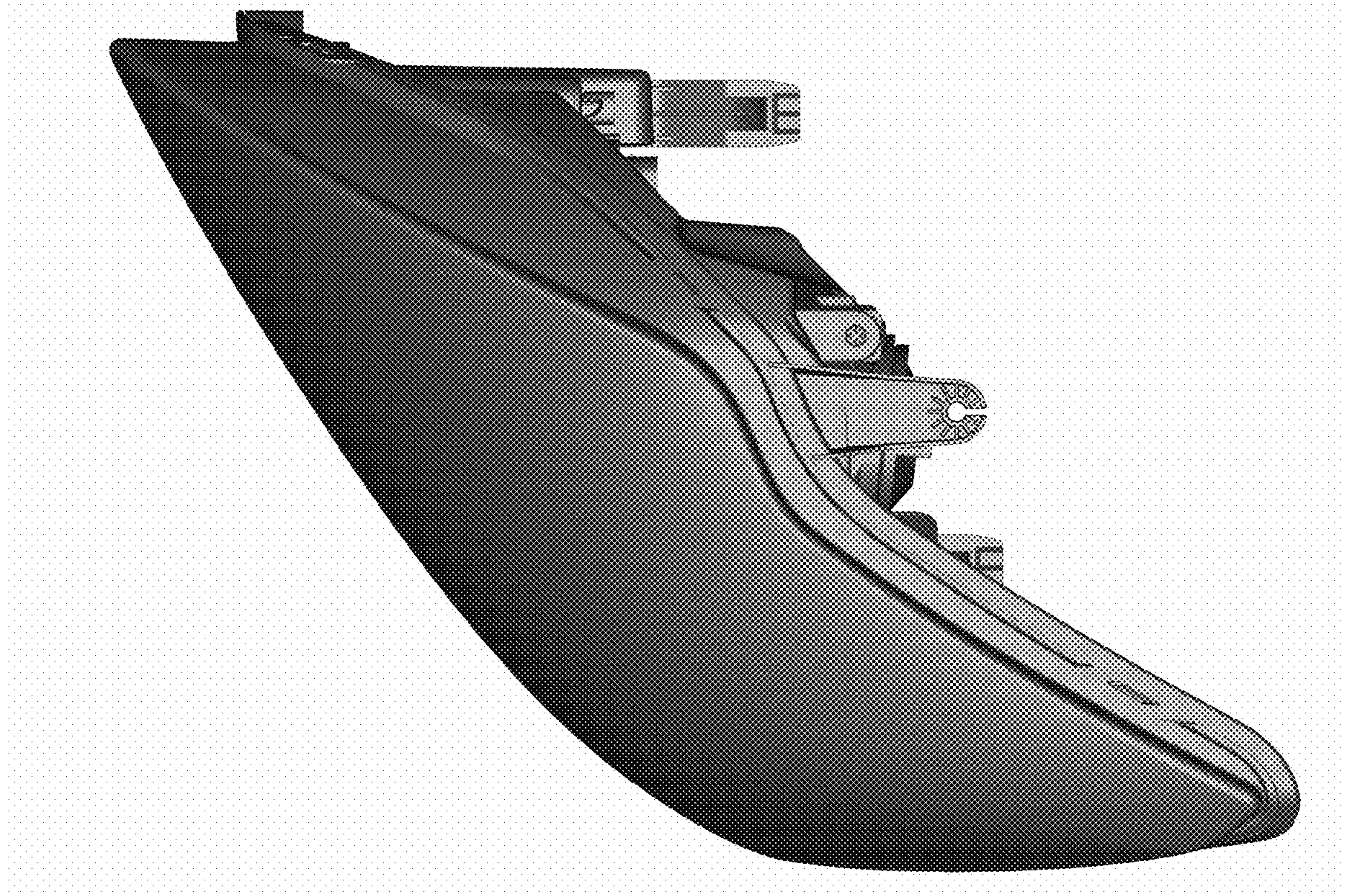


Fig 5

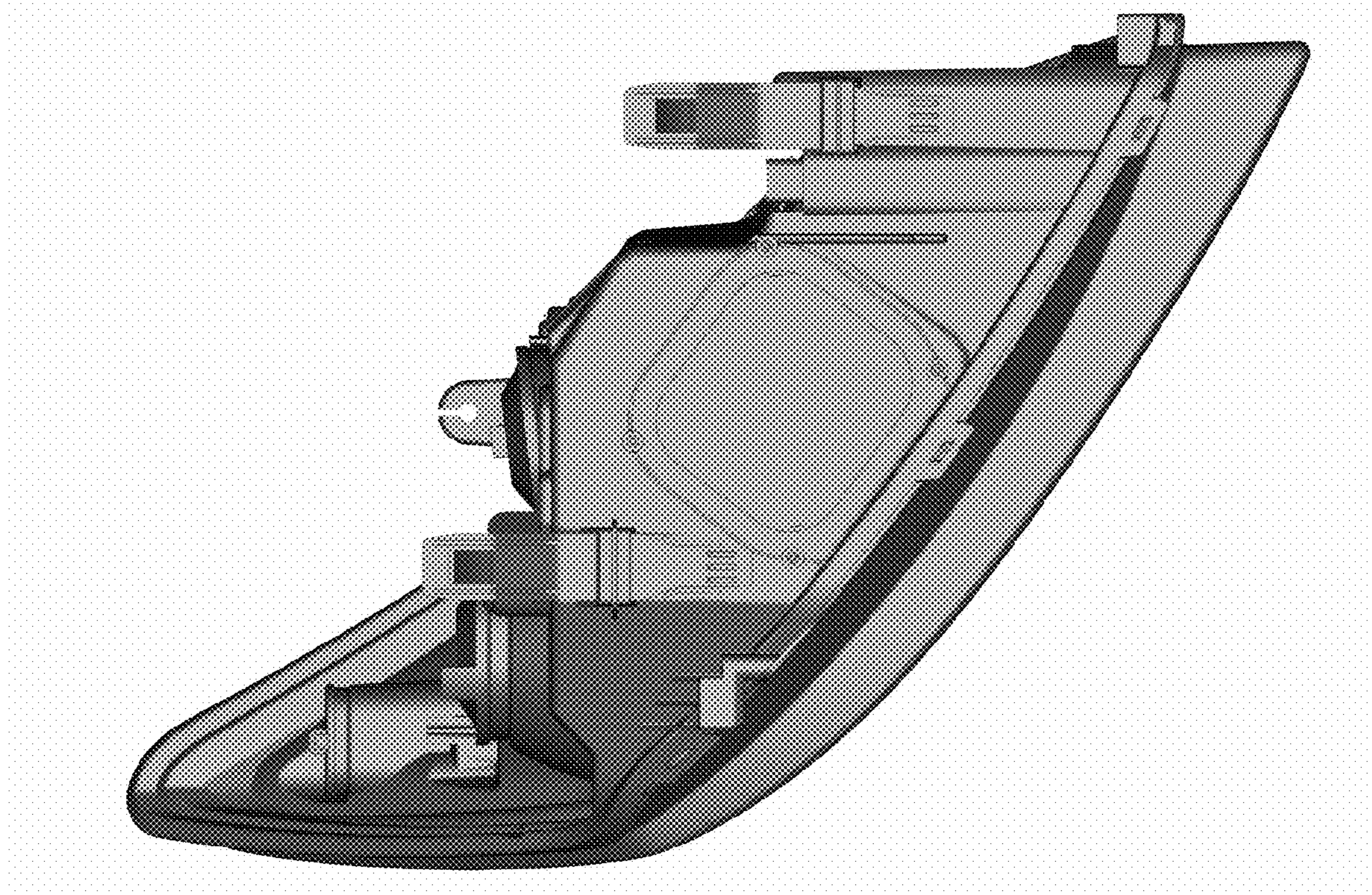


Fig 6

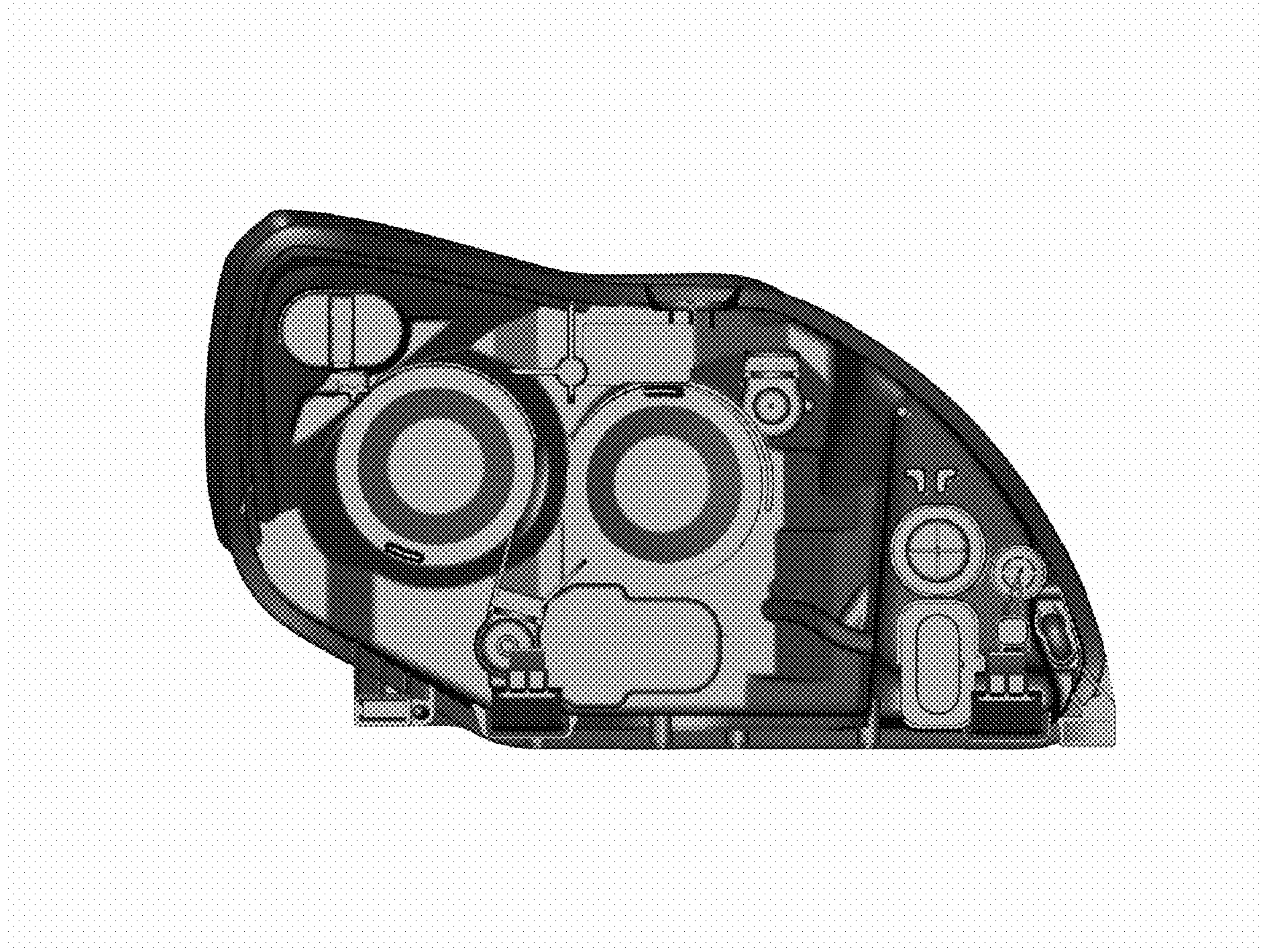


Fig 7