



US00D580569S

(12) **United States Design Patent**  
**Ohashi et al.**

(10) **Patent No.:** **US D580,569 S**

(45) **Date of Patent:** **\*\* Nov. 11, 2008**

(54) **TAIL LAMP FOR A MOTORCYCLE**

D569,016 S \* 5/2008 Tsukui et al. .... D26/28  
D572,851 S \* 7/2008 Watanabe et al. .... D26/28

(75) Inventors: **Hayato Ohashi**, Wako (JP); **Manabu Ichikawa**, Wako (JP)

\* cited by examiner

(73) Assignee: **Honda Motor Co., Ltd.**, Tokyo (JP)

*Primary Examiner*—Marcus A. Jackson

(\*\*) Term: **14 Years**

(74) *Attorney, Agent, or Firm*—Birch, Stewart, Kolasch & Birch, LLP

(21) Appl. No.: **29/300,226**

(57) **CLAIM**

(22) Filed: **Feb. 29, 2008**

The ornamental design for a tail lamp for a motorcycle, as shown and described.

(30) **Foreign Application Priority Data**

**DESCRIPTION**

Sep. 3, 2007 (JP) ..... 2007-023927

FIG. 1 is a first perspective view of a tail lamp for a motorcycle, showing our new design;

(51) **LOC (8) Cl.** ..... **26-06**

FIG. 2 is a second perspective view thereof;

(52) **U.S. Cl.** ..... **D26/28**

FIG. 3 is a front elevation view thereof;

(58) **Field of Classification Search** ..... D26/28-36;  
362/459-468, 475-478, 485-487

FIG. 4 is a rear elevation view thereof;

See application file for complete search history.

FIG. 5 is a top plan view thereof;

(56) **References Cited**

FIG. 6 is a right side elevation view thereof; and,

**U.S. PATENT DOCUMENTS**

FIG. 7 is a left side elevation view thereof.

D498,012 S \* 11/2004 Ballentine ..... D26/28

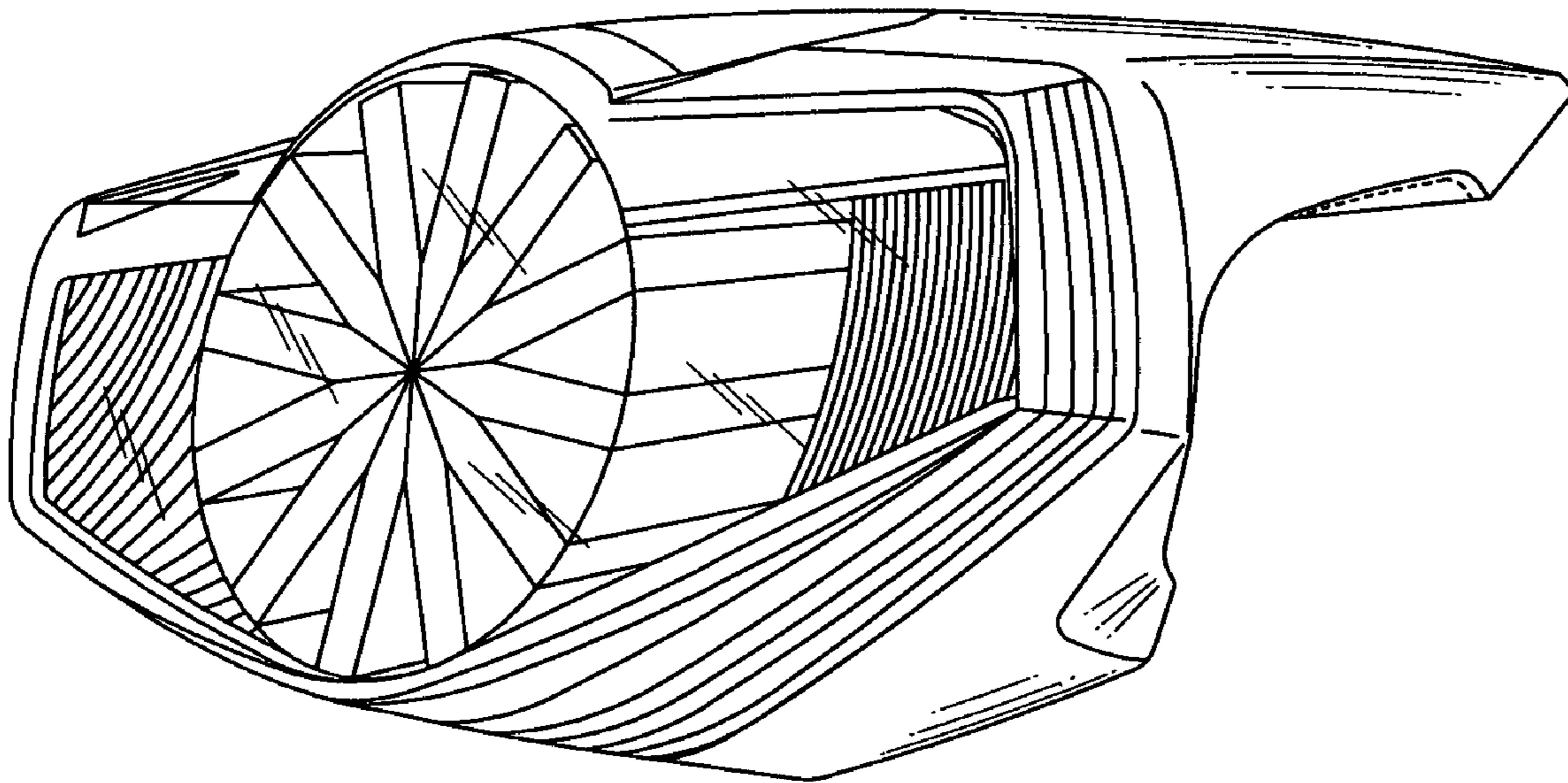
The broken lines are for illustrative purposes only and form no part of the claimed design.

D518,203 S \* 3/2006 Phillips et al. .... D26/28

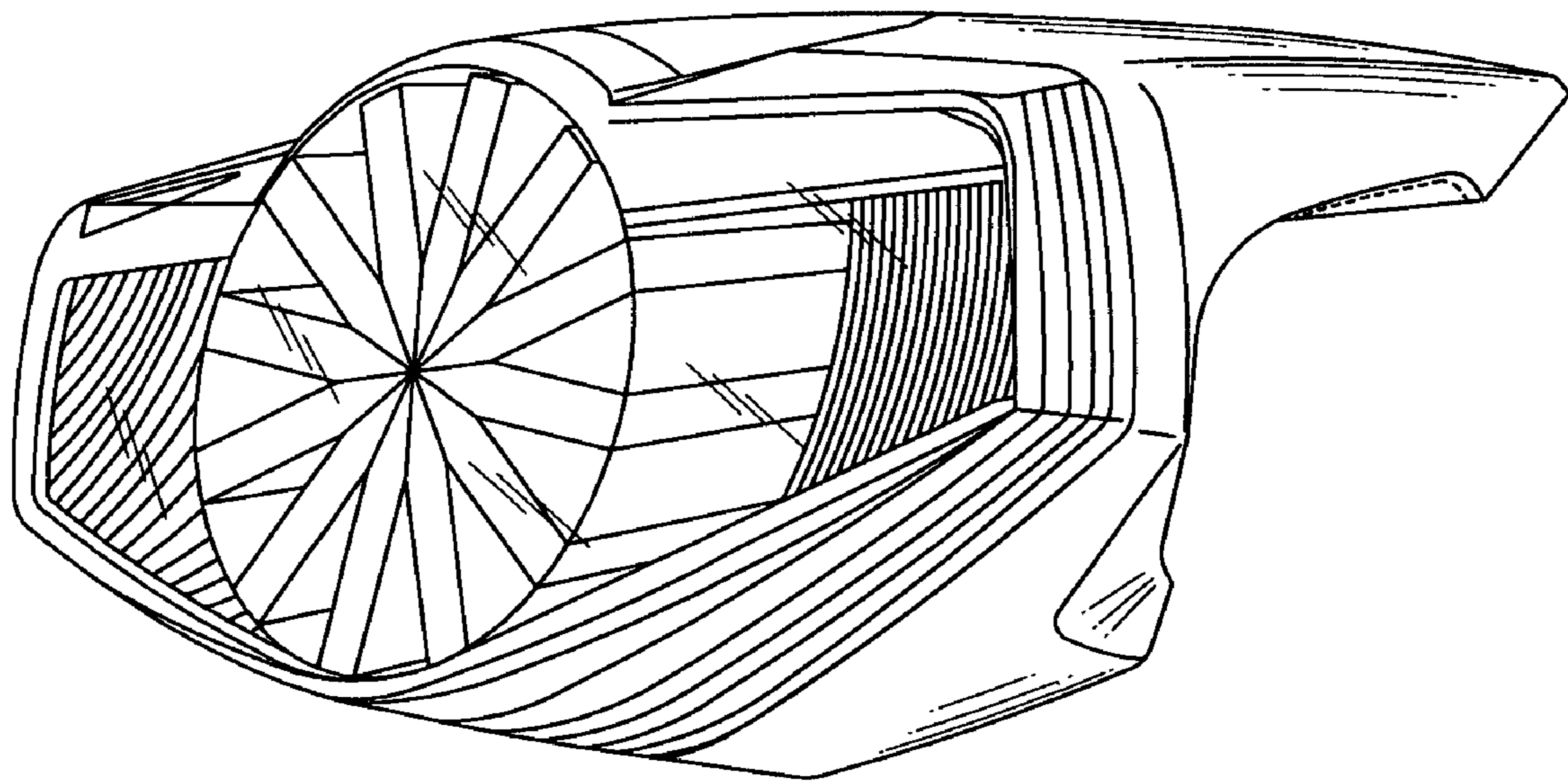
D529,638 S \* 10/2006 Conte ..... D26/28

D538,955 S \* 3/2007 Katagiri et al. .... D26/28

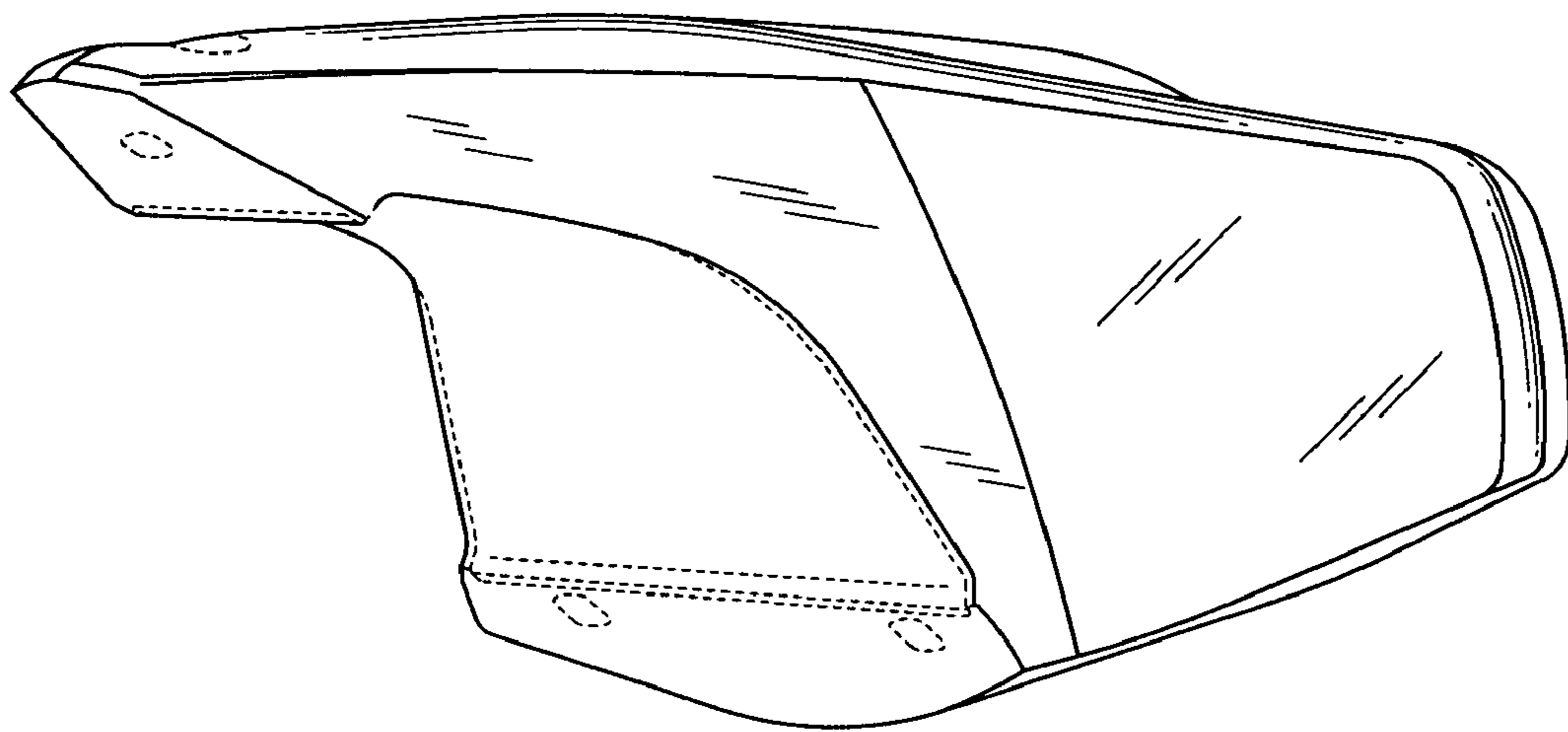
**1 Claim, 7 Drawing Sheets**



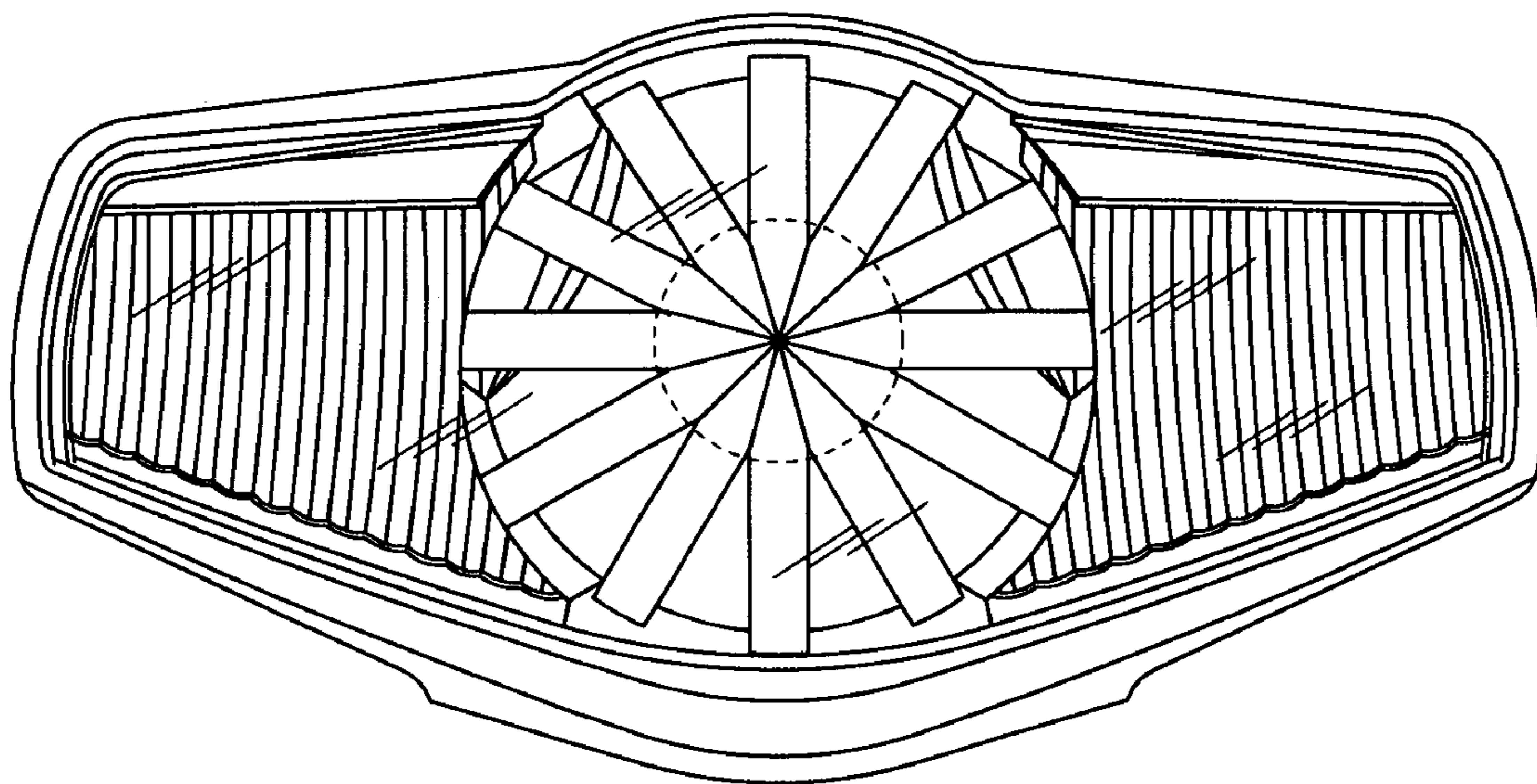
*Fig. 1*



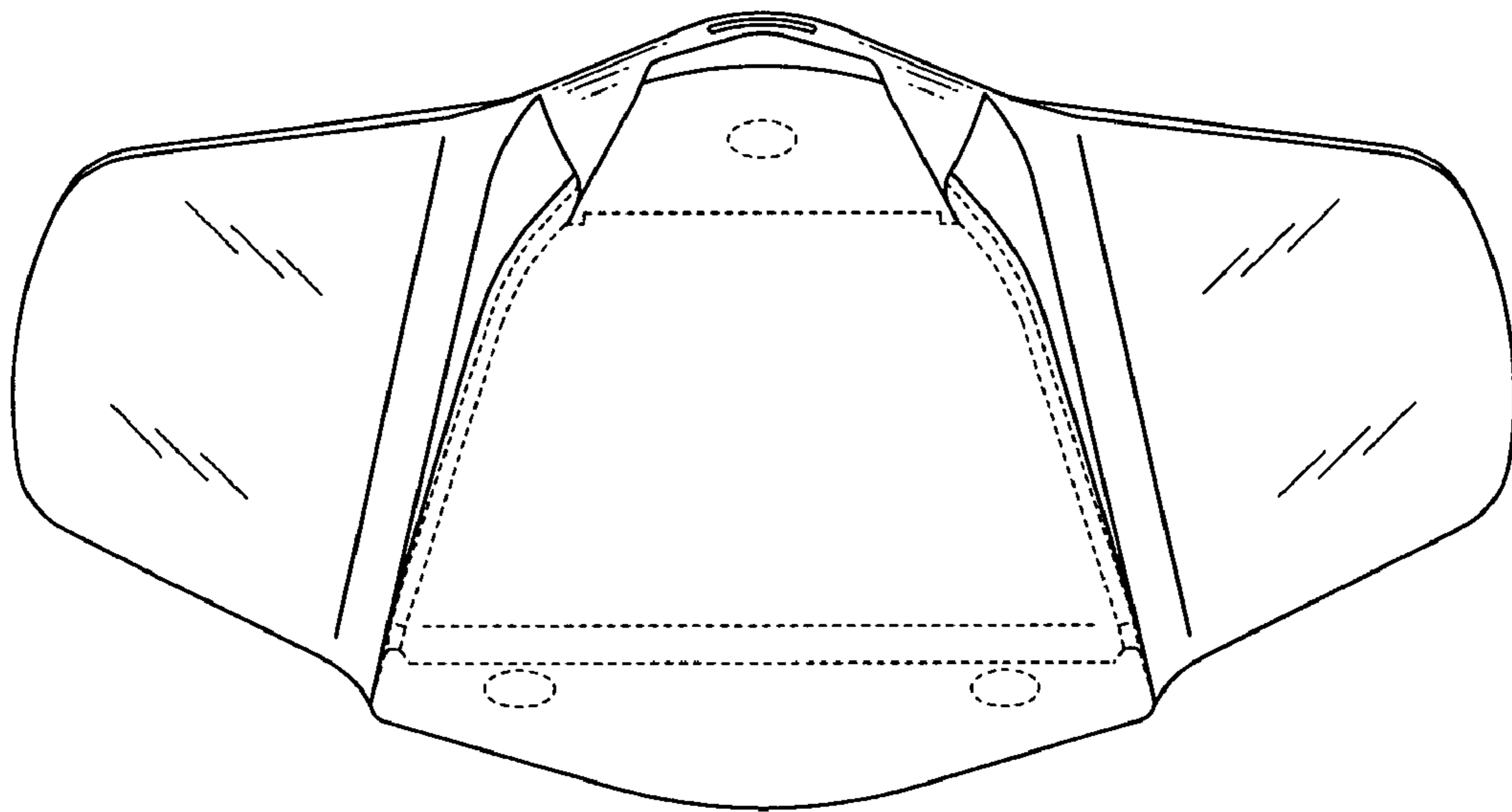
*Fig.2*



*Fig.3*

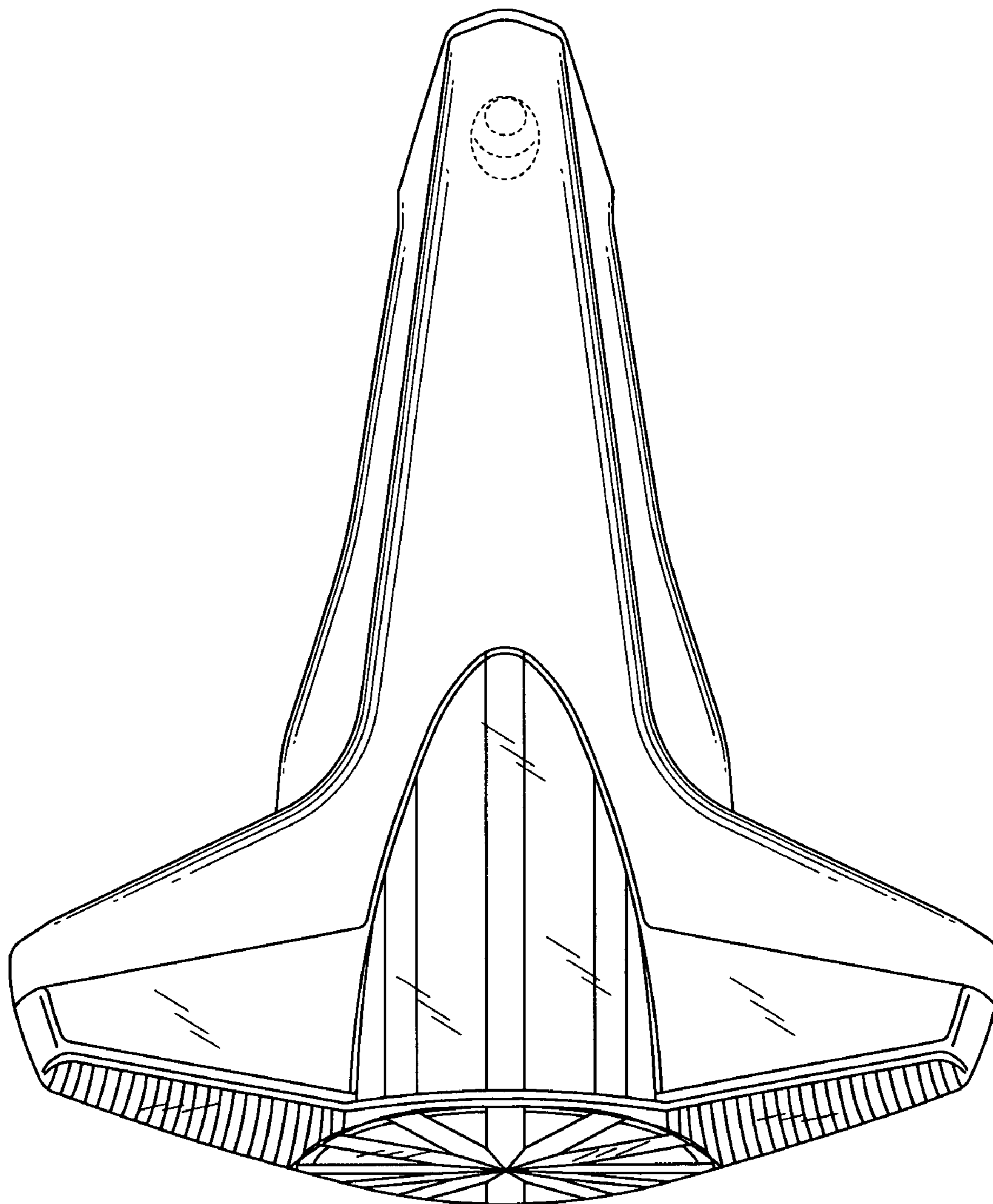


*Fig. 4*

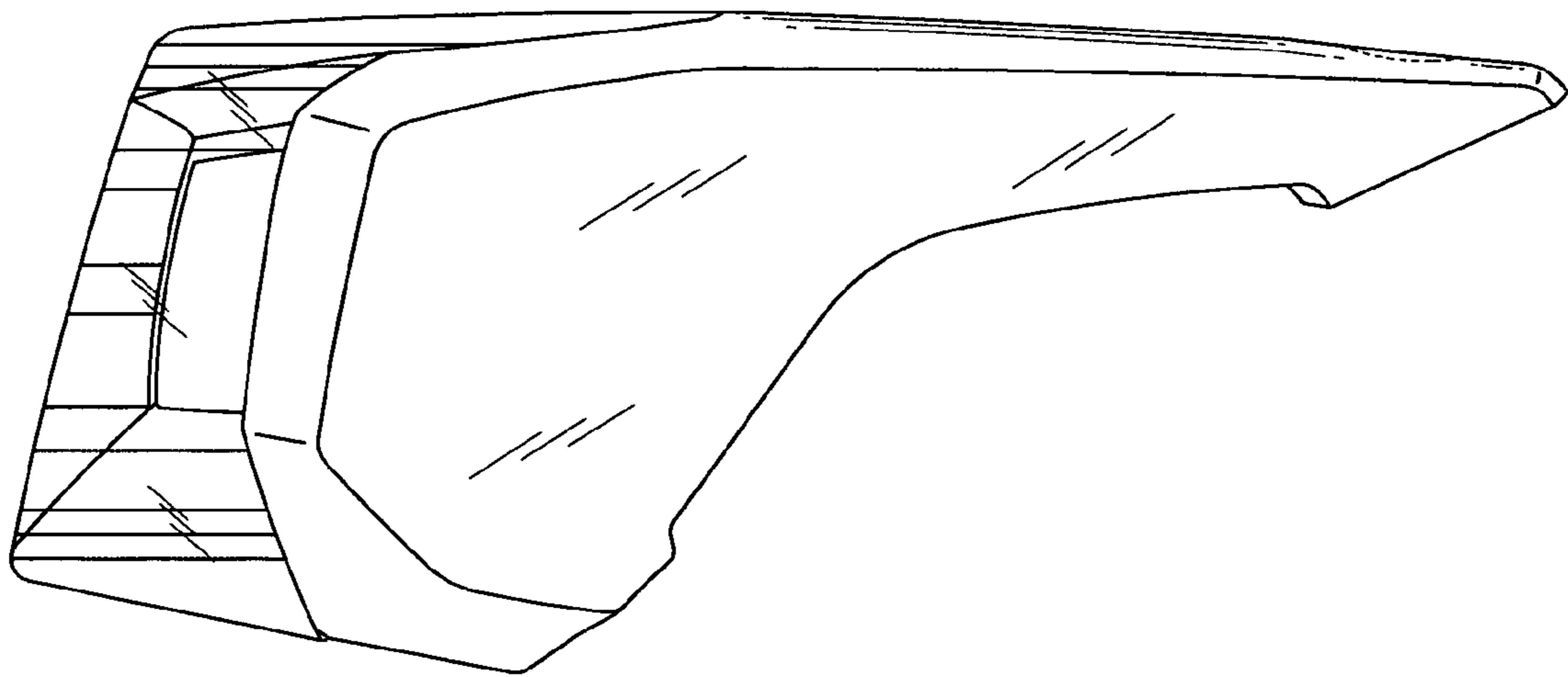




*Fig. 5*



*Fig. 6*



*Fig. 7*

