



US00D580565S

(12) **United States Design Patent**  
**Wilkinson**

(10) **Patent No.:** **US D580,565 S**

(45) **Date of Patent:** **\*\* Nov. 11, 2008**

(54) **LIGHTING DEVICE**

(75) Inventor: **Jeremy Wilkinson**, Lakewood, CO (US)

(73) Assignee: **Cooper Technologies Company**,  
Houston, TX (US)

(\*\*) Term: **14 Years**

(21) Appl. No.: **29/252,645**

(22) Filed: **Jan. 25, 2006**

(51) **LOC (8) Cl.** ..... **26-05**

(52) **U.S. Cl.** ..... **D26/24**

(58) **Field of Classification Search** ..... D26/24,  
D26/37, 60, 61, 63, 64, 65, 66, 72, 74, 80,  
D26/81, 83, 93, 105, 113, 87, 92, 104; 362/89,  
362/147, 153, 257, 269, 282, 285

See application file for complete search history.

(56) **References Cited**

**U.S. PATENT DOCUMENTS**

1,913,517	A	6/1933	Smith et al.	
3,167,258	A	1/1965	Wilde	
3,363,091	A	1/1968	Cooper	
D254,094	S *	1/1980	Jaksich	D26/63
4,317,625	A	3/1982	Van Allen	
4,379,322	A	4/1983	Kelly	
4,412,276	A	10/1983	Blinow	
D308,114	S *	5/1990	Shemitz	D26/85
D308,260	S *	5/1990	Shemitz	D26/85
D316,306	S *	4/1991	Shemitz	D26/85
5,676,458	A	10/1997	Shemitz et al.	
5,971,571	A *	10/1999	Rose	362/346
D439,355	S *	3/2001	Ford	D26/63

(Continued)

**FOREIGN PATENT DOCUMENTS**

GB 2081135 \* 4/1999

**OTHER PUBLICATIONS**

U.S. Appl. No. 29/252,649, Bingaman et al.

*Primary Examiner*—Cathron Brooks

*Assistant Examiner*—Angela J Lee

(74) *Attorney, Agent, or Firm*—Richard W. Miller; King & Spalding

(57) **CLAIM**

The ornamental design for a lighting device, as shown and described.

**DESCRIPTION**

The present application is related to (1) U.S. Utility application Ser. No. 11/339,387, filed on Jan. 25, 2006, the disclosure which is incorporated herein by reference; (2) U.S. Utility application Ser. No. 11/339,426, filed on Jan. 25, 2006, the disclosure which is incorporated herein by reference; (3) U.S. Utility application Ser. No. 11/339,270, filed on Jan. 25, 2006, the disclosure which is incorporated herein by reference; (4) U.S. Utility application Ser. No. 11/339,271, filed on Jan. 25, 2006, the disclosure which is incorporated herein by reference; (5) U.S. Utility application Ser. No. 11/339,363, filed on Jan. 25, 2006, the disclosure which is incorporated herein by reference; (6) U.S. Utility application Ser. No. 11/339,028, filed on Jan. 25, 2006, the disclosure which is incorporated herein by reference; (7) U.S. Utility application Ser. No. 11/339,207, filed on Jan. 25, 2006, the disclosure which is incorporated herein by reference; (8) U.S. Utility application Ser. No. 11/339,164, filed on Jan. 25, 2006, the disclosure which is incorporated herein by reference; and (9) U.S. Design application Ser. No. 29/252,649, filed on Jan. 25, 2006, the disclosure which is incorporated herein by reference.

FIG. 1 is a side view of the lighting device showing my new design;

FIG. 2 is a front view thereof;

FIG. 3 is a side view thereof; and

FIG. 4 is a rear view thereof;

FIG. 5 is a top view thereof;

FIG. 6 is a bottom view thereof; and,

FIG. 7 is a perspective view thereof.

**1 Claim, 7 Drawing Sheets**

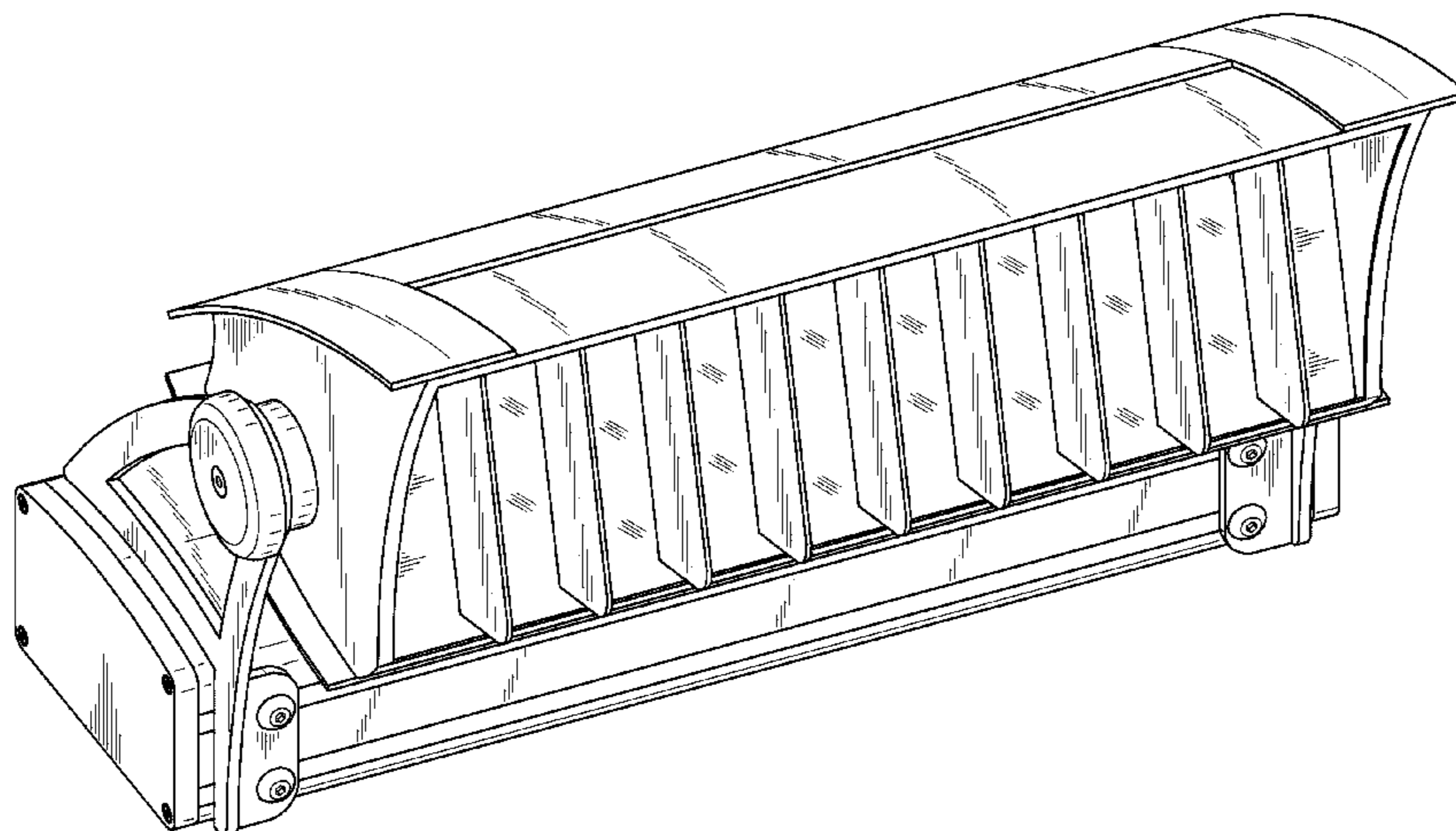




FIG. 1

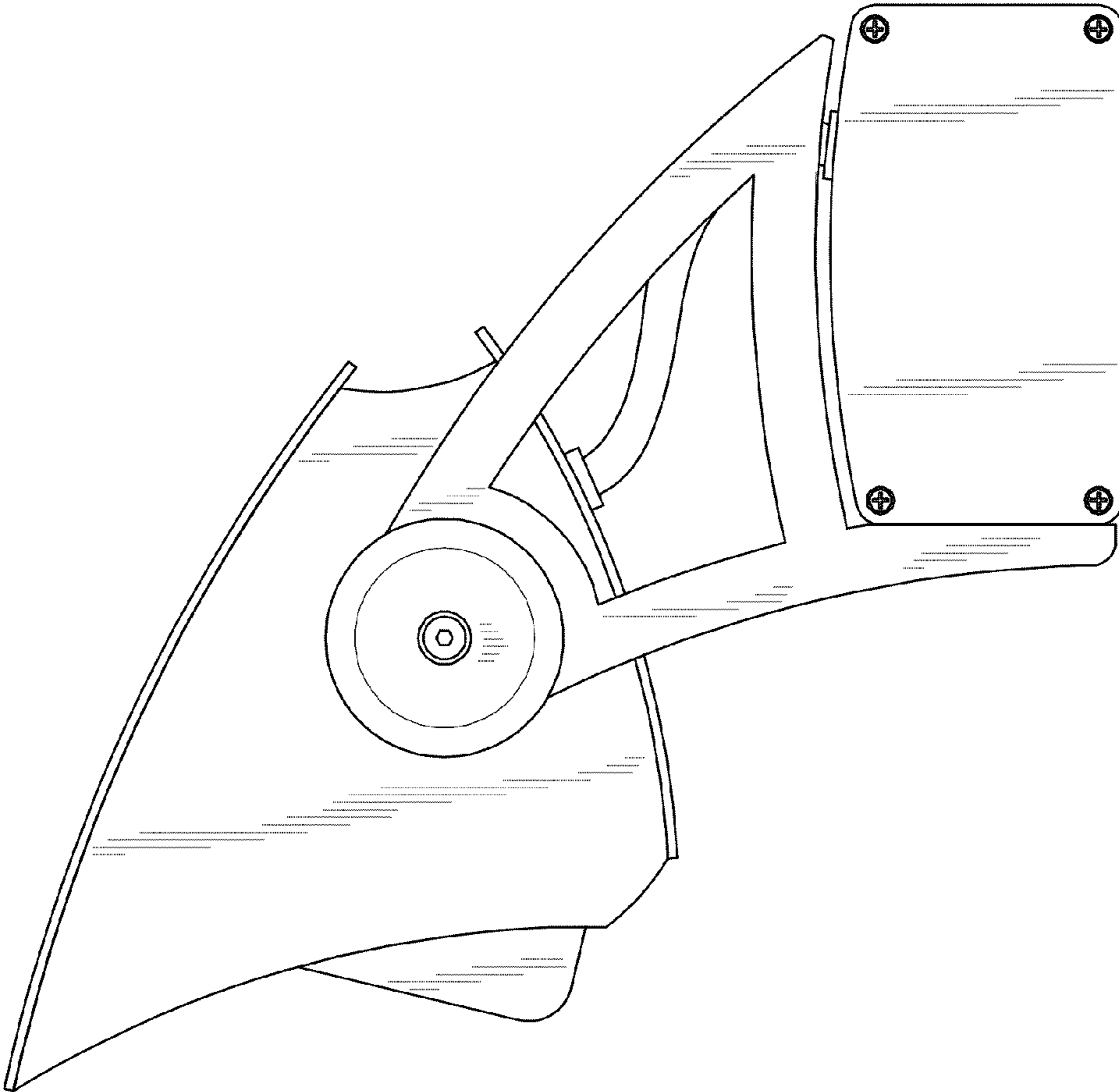


FIG. 2

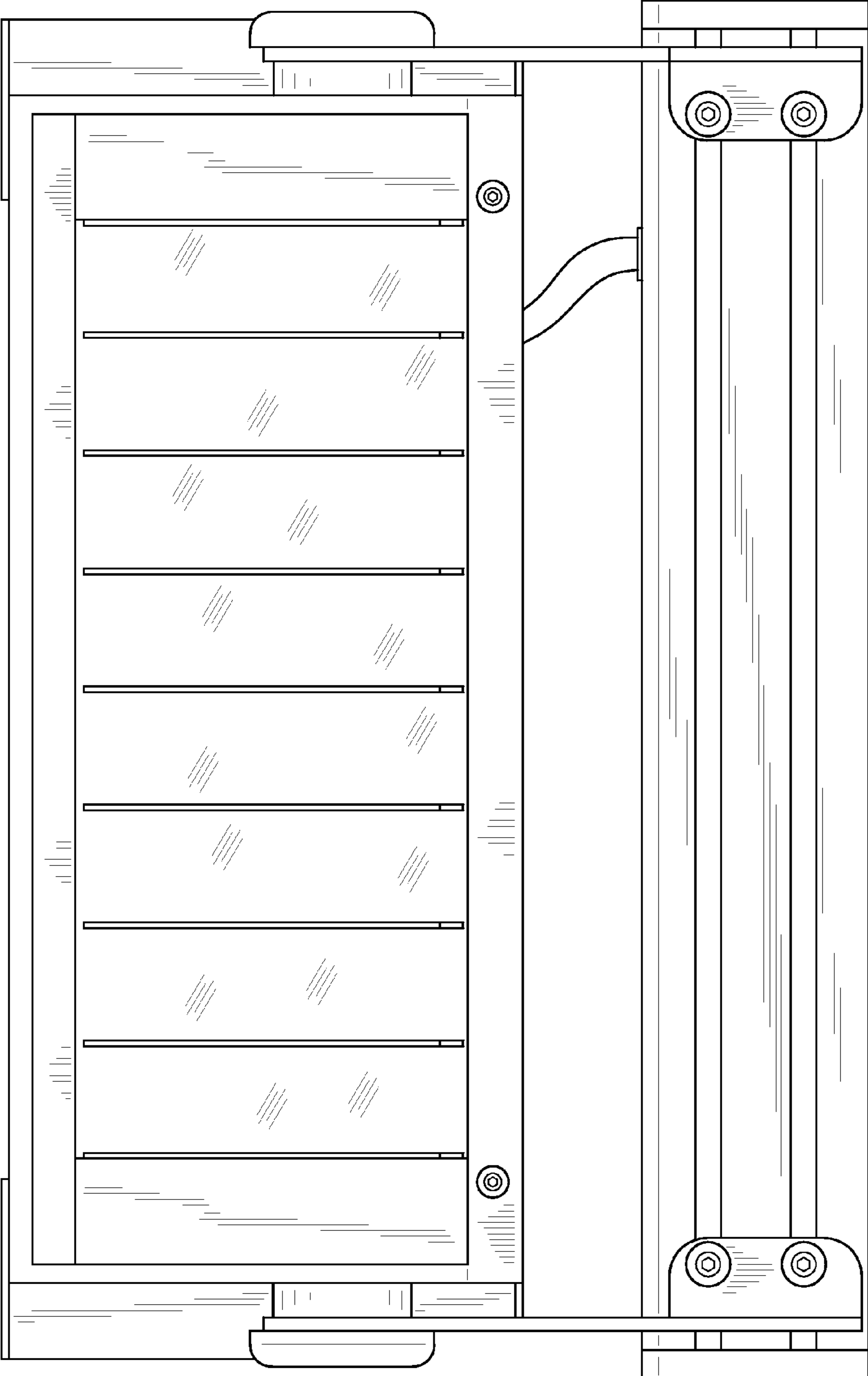


FIG. 3

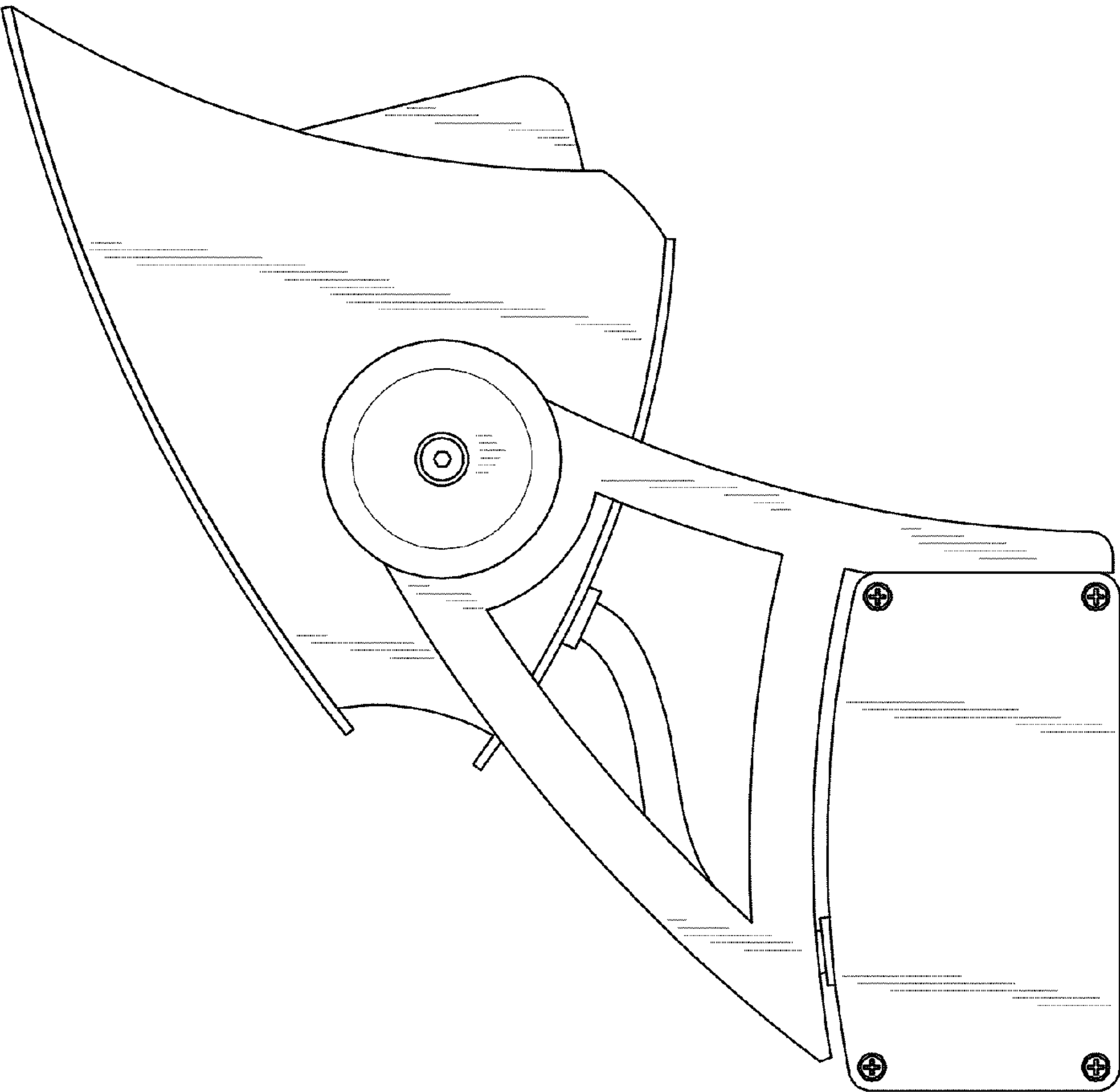




FIG. 4

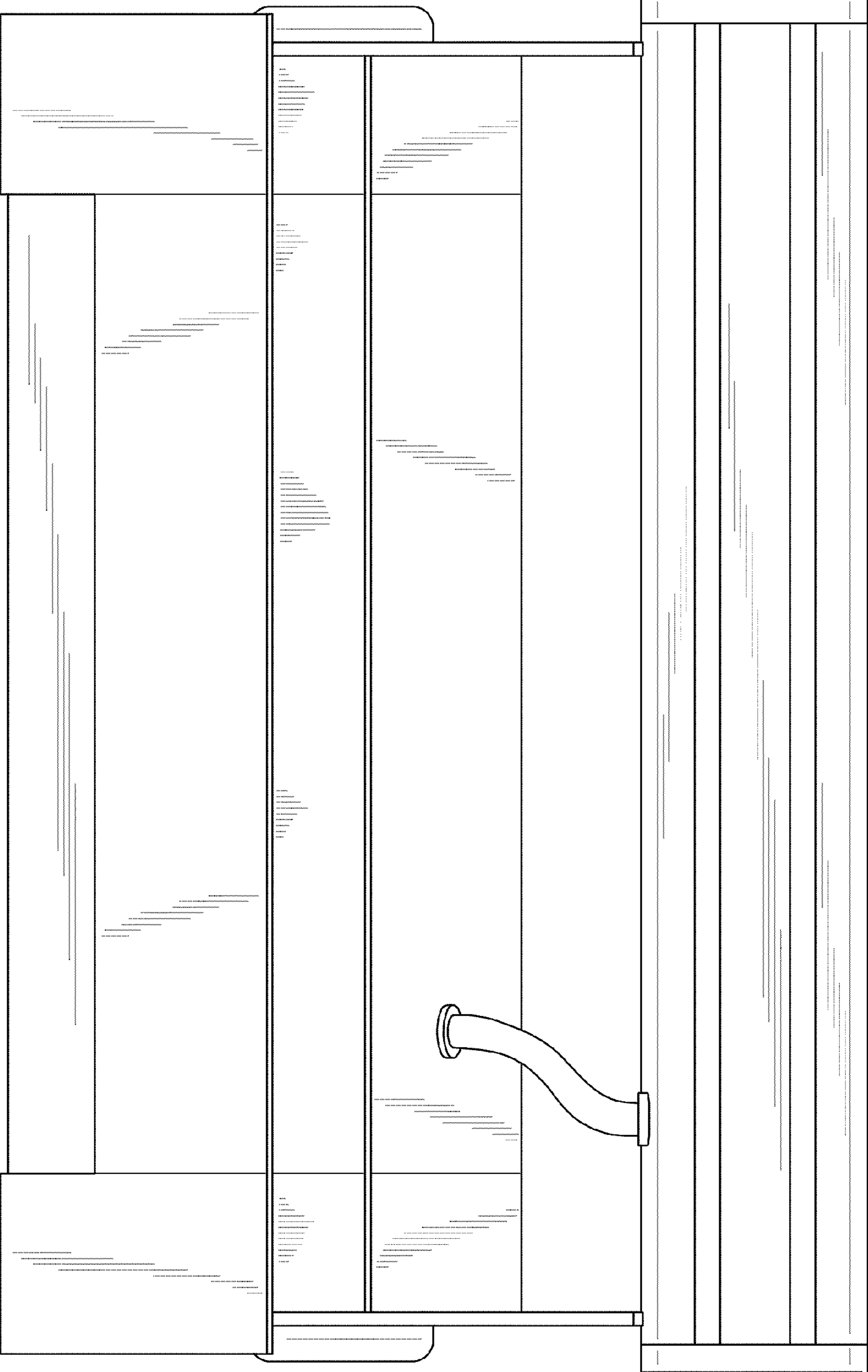


FIG. 5



FIG. 6

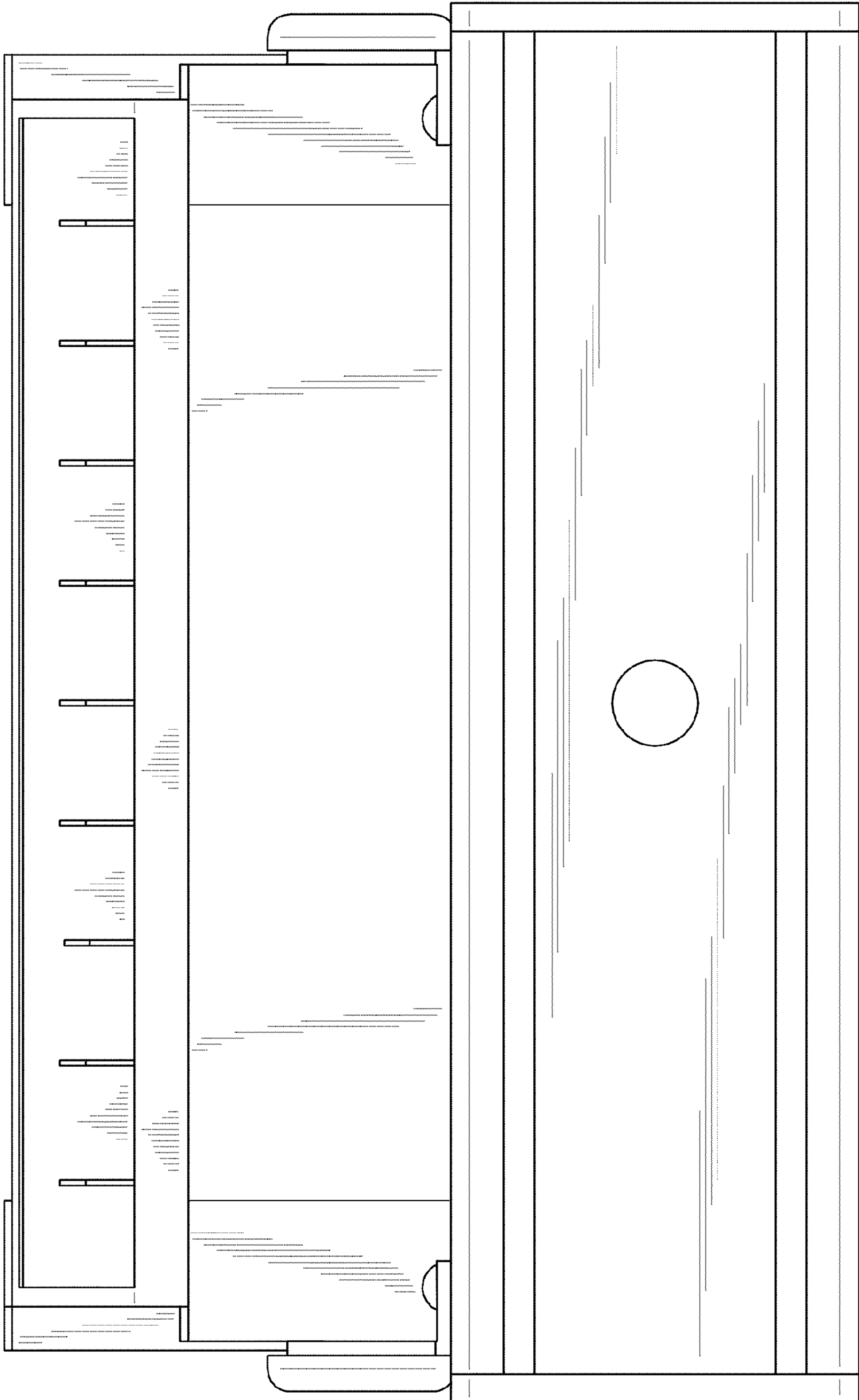




FIG. 7

