



US00D580561S

(12) **United States Design Patent**
Salerno

(10) **Patent No.:** **US D580,561 S**
(45) **Date of Patent:** **** Nov. 11, 2008**

- (54) **PAD FOR A SEABED MAT**
 - (75) Inventor: **Joseph V. Salerno**, Mason, OH (US)
 - (73) Assignee: **Armortec, LLC**, West Chester, OH (US)
 - (**) Term: **14 Years**
 - (21) Appl. No.: **29/295,750**
 - (22) Filed: **Oct. 5, 2007**
 - (51) **LOC (8) Cl.** **25-01**
 - (52) **U.S. Cl.** **D25/118**
 - (58) **Field of Classification Search** D25/102,
D25/112-118, 158, 163; 405/15-2, 284,
405/286; 52/102, 574, 596-612; D21/484-486,
D21/490, 491, 493
- See application file for complete search history.

(56) **References Cited**

U.S. PATENT DOCUMENTS

3,386,252 A	6/1968	Nelson	
4,227,829 A	10/1980	Landry, Jr.	
D259,214 S *	5/1981	Landry, Jr.	D25/115
4,372,705 A *	2/1983	Atkinson	405/19
4,375,928 A	3/1983	Crow et al.	
4,477,206 A	10/1984	Papetti et al.	
4,683,156 A *	7/1987	Waters	405/19
4,781,492 A	11/1988	Shindo	
D299,759 S *	2/1989	Sharma	D25/117
5,040,350 A	8/1991	Panther	
5,108,222 A	4/1992	Jansson et al.	
5,160,215 A	11/1992	Jenson	
D351,914 S *	10/1994	Landry, Jr.	D25/115
5,443,329 A	8/1995	de Geeter	
5,484,230 A	1/1996	Rudloff	
5,632,571 A	5/1997	Mattox	
D392,750 S *	3/1998	Scales	D25/113
5,775,837 A *	7/1998	Schneider	405/17
5,775,838 A	7/1998	Pettee, Sr.	
5,846,023 A	12/1998	Angel et al.	
5,906,456 A	5/1999	Knight	
5,911,539 A	6/1999	Egan et al.	
5,921,710 A	7/1999	Scales	
5,944,449 A	8/1999	Angel et al.	
5,971,658 A	10/1999	Pramono et al.	
5,975,796 A	11/1999	Angel et al.	
5,988,942 A	11/1999	Atkinson	
6,027,285 A	2/2000	Angel et al.	

D425,214 S *	5/2000	Speck	D25/118
6,106,194 A	8/2000	Angel et al.	
D444,610 S *	7/2001	Wimp et al.	D99/99
6,416,253 B1	7/2002	Wimp et al.	
2006/0193694 A1 *	8/2006	Lee	405/16

FOREIGN PATENT DOCUMENTS

EP	0152.232 A2	8/1985
GB	2139676 A	11/1984

OTHER PUBLICATIONS

Webpage, Submar, Inc., www.submar.com/pat_tech.html, disclosing permanent mat anchoring system to concrete blocks, 1 pg.
 Offshore Rescue, by Jonathan French, et al., "Civil Engineering", Jul. 1994 as posted on the Armortec.com website.
 Key to Road Alignment, author unknown, "California Builder & Engineer (CB&E)", Jan. 16, 1995.
 Armortec Experiences with Embankment Dam Overtopping Protection; Powledge, et al., Hydro-Review, Feb. 1994.

* cited by examiner

Primary Examiner—Louis S Zarfaz

Assistant Examiner—Anhdao Doan

(74) *Attorney, Agent, or Firm*—Thompson Hine LLP

(57) **CLAIM**

The ornamental design for a pad for a seabed mat, as shown and described.

DESCRIPTION

FIG. 1 is a side view of an embodiment of a pad for a seabed mat;

FIG. 2 is a top view of the pad of FIG. 1;

FIG. 3 is a side view of an embodiment of a pad for a seabed mat;

FIG. 4 is a top view of the pad of FIG. 3;

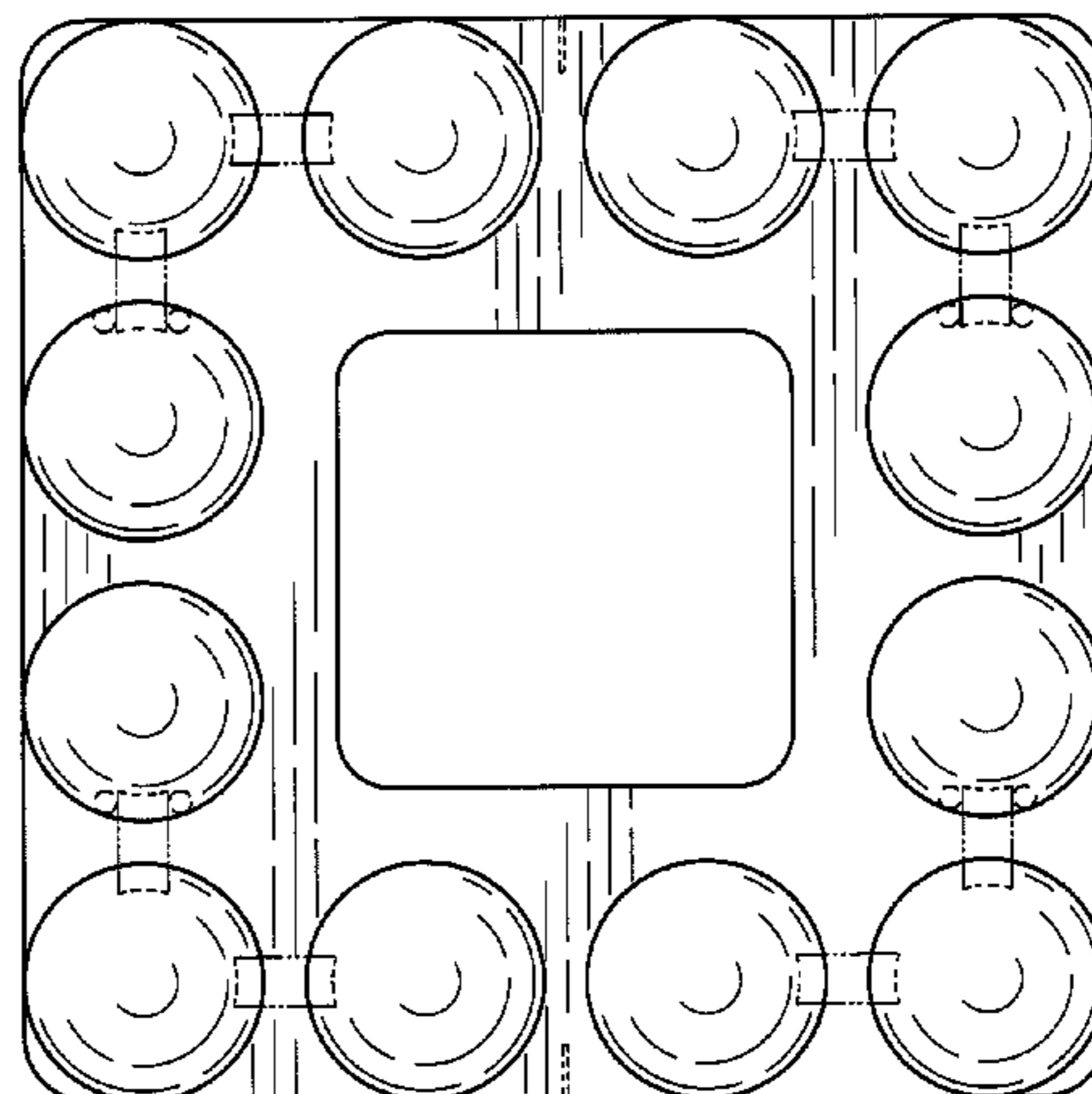
FIG. 5 is a side view of an embodiment of a pad for a seabed mat;

FIG. 6 is a bottom view of the pad of FIG. 5; and,

FIG. 7 is a perspective view of the pad of FIG. 5.

The broken lines shown in the drawings illustrate portions of the pad for seabed mat that form no part of the claimed design.

1 Claim, 4 Drawing Sheets



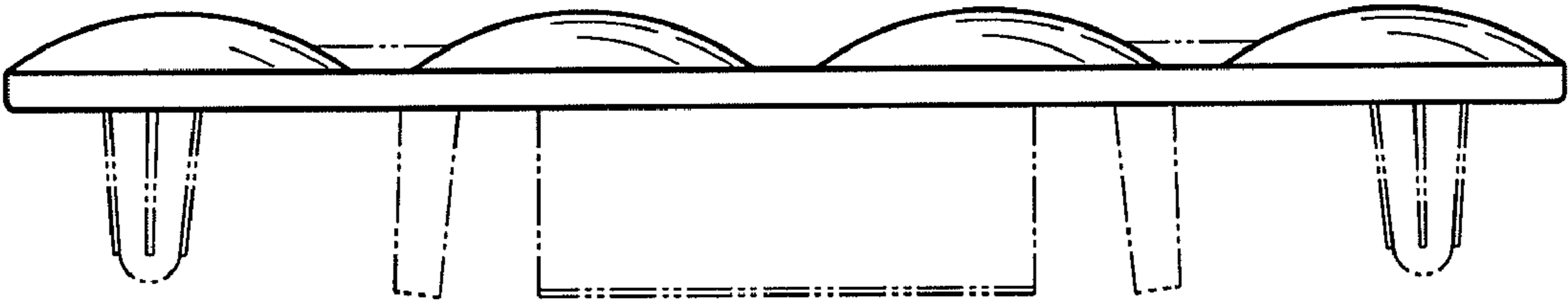


Fig. 1

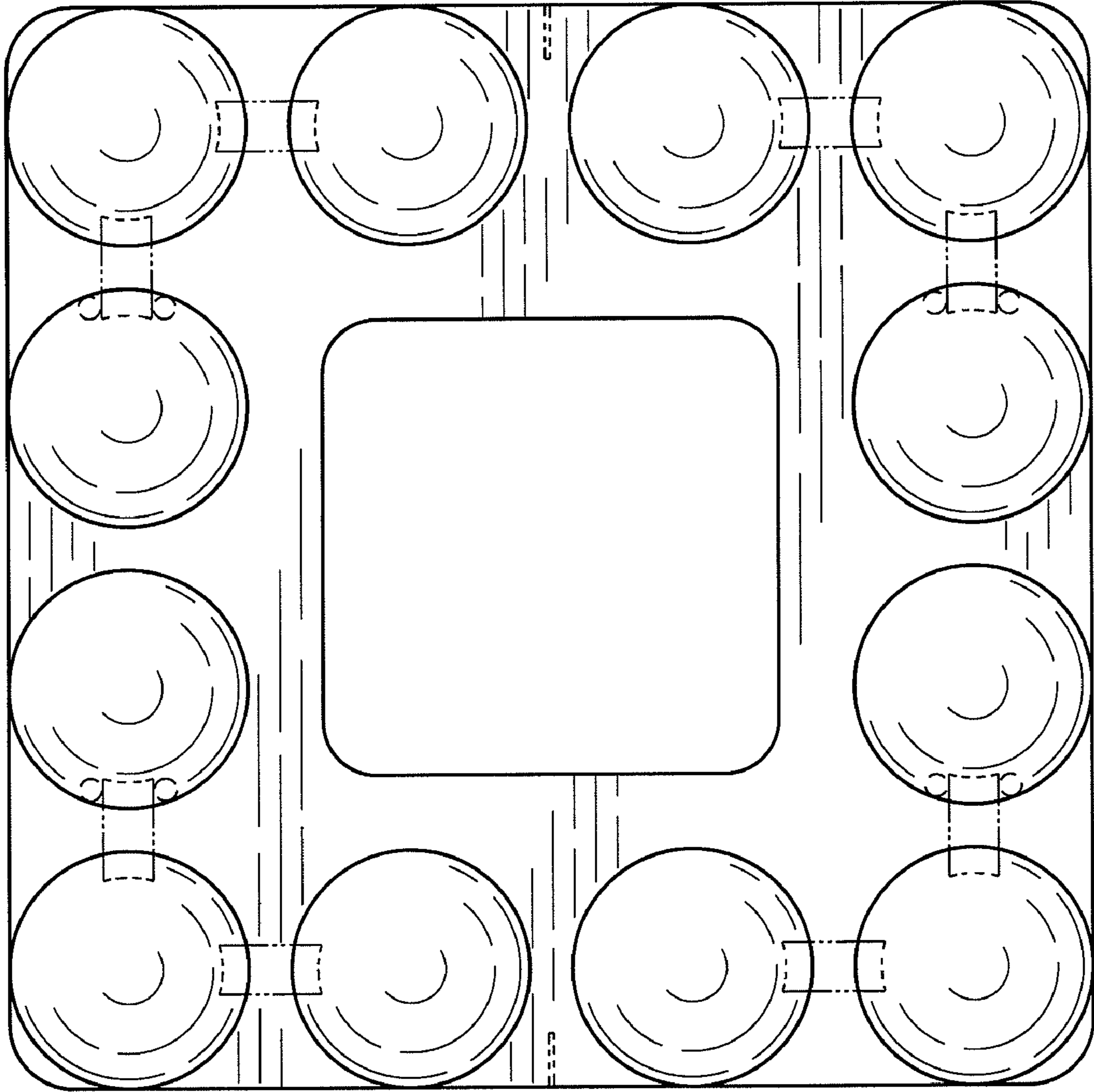


Fig. 2

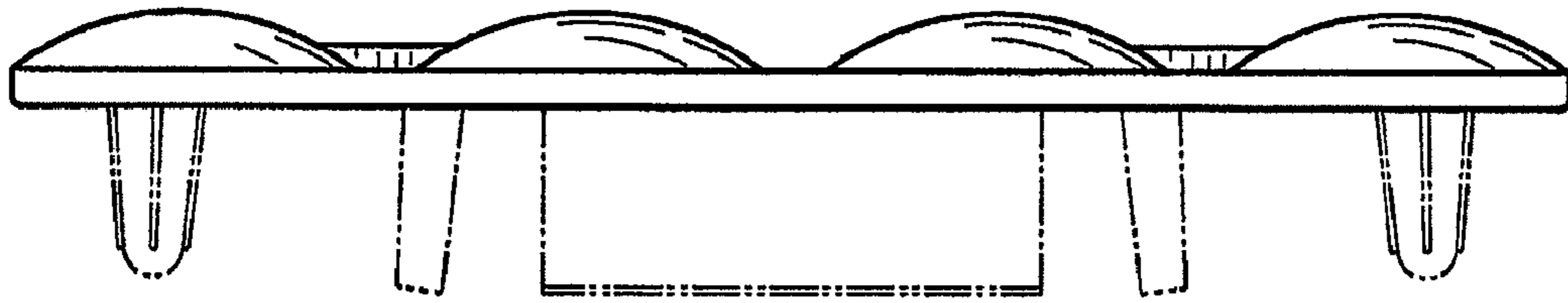


Fig. 3

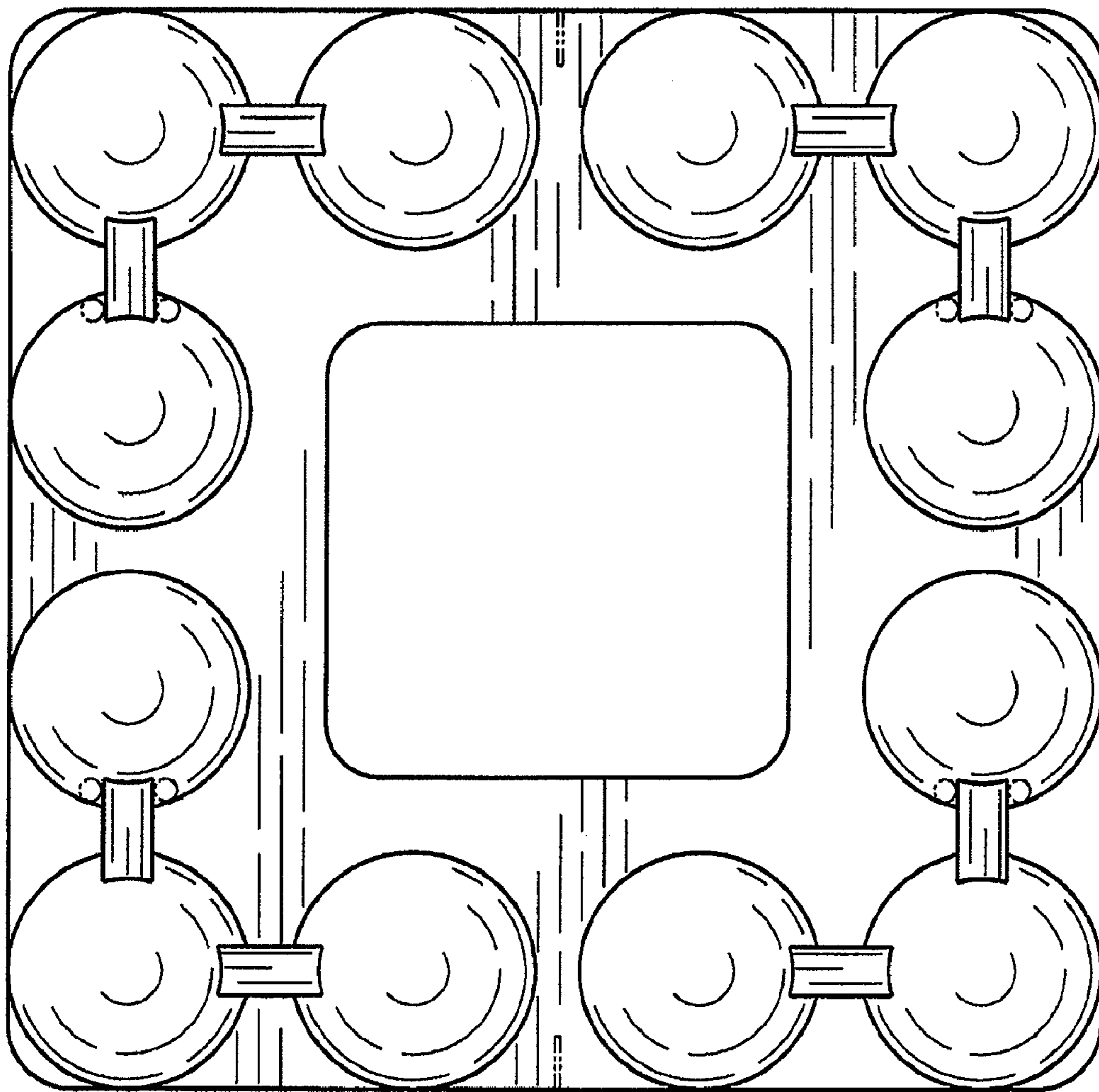


Fig. 4

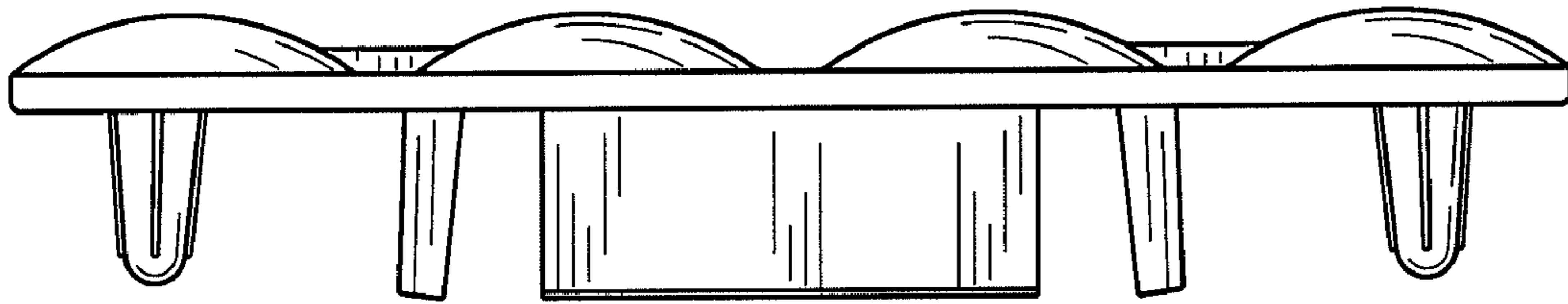


Fig. 5

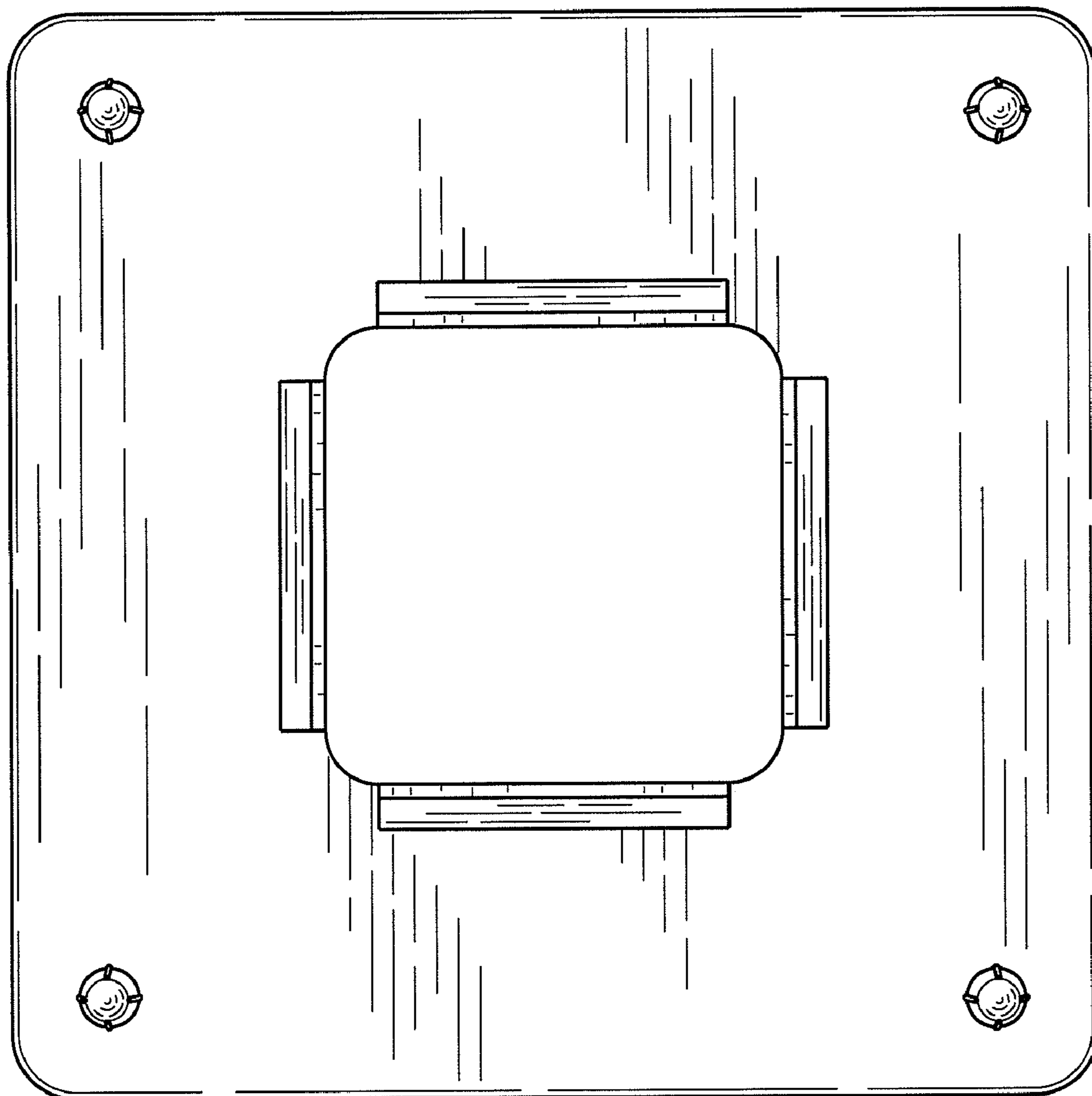


Fig. 6

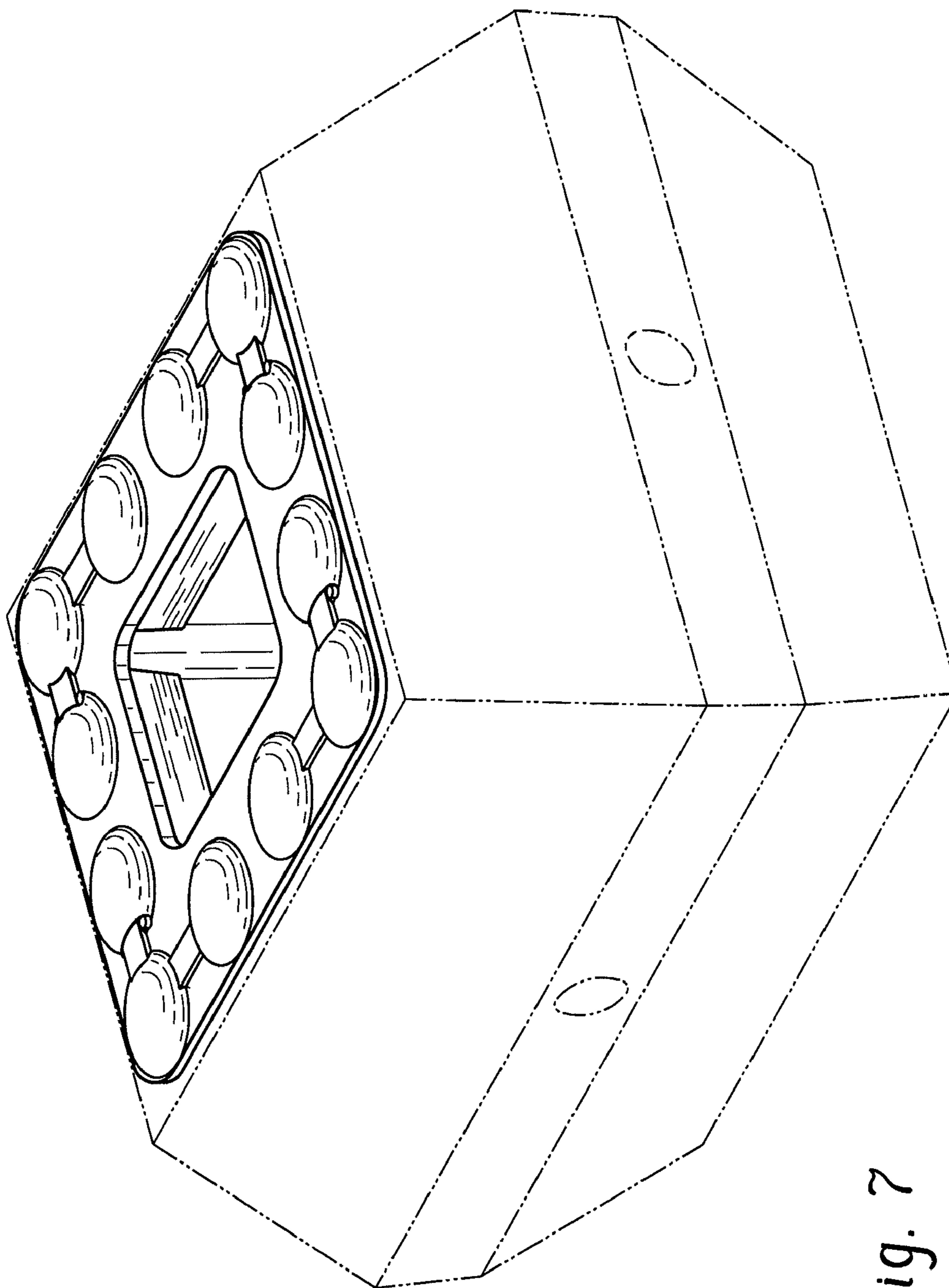


Fig. 7

UNITED STATES PATENT AND TRADEMARK OFFICE
CERTIFICATE OF CORRECTION

PATENT NO. : Des. 580,561 S
APPLICATION NO. : 29/295750
DATED : November 11, 2008
INVENTOR(S) : Joseph V. Salerno

Page 1 of 1

It is certified that error appears in the above-identified patent and that said Letters Patent is hereby corrected as shown below:

Title Page;

In the Description

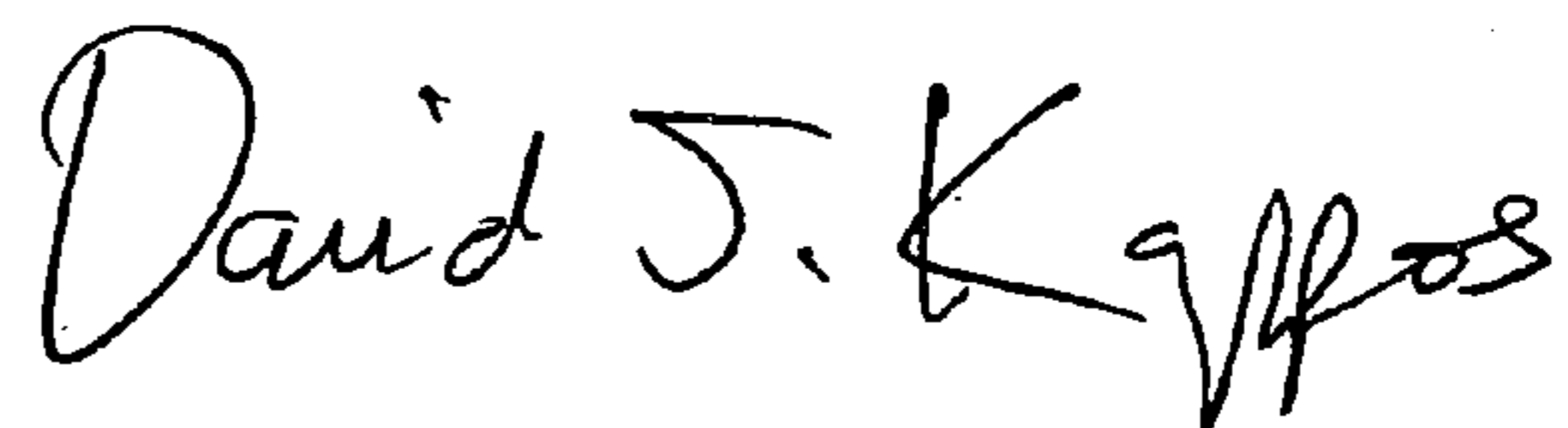
Delete the description of Fig. 5; Fig. 6 and Fig. 7

In the Drawings

Delete Fig. 5; Fig. 6 and Fig. 7

Signed and Sealed this

Twenty-fifth Day of August, 2009



David J. Kappos
Director of the United States Patent and Trademark Office