



US00D580558S

(12) **United States Design Patent**  
**Shigesada et al.**

(10) **Patent No.:** **US D580,558 S**  
(45) **Date of Patent:** **\*\* Nov. 11, 2008**

(54) **CAP OF CARTRIDGE FOR COMPONENT EXTRACTION**

(75) Inventors: **Keiji Shigesada**, Odawara (JP); **Morio Fujiwara**, Odawara (JP); **Takuji Yamada**, Odawara (JP); **Katsuya Inana**, Odawara (JP)

(73) Assignee: **FUJIFILM Corporation**, Tokyo (JP)

(\*\*) Term: **14 Years**

(21) Appl. No.: **29/274,081**

(22) Filed: **Mar. 28, 2007**

(30) **Foreign Application Priority Data**

Sep. 29, 2006 (JP) ..... 2006-026526  
Sep. 29, 2006 (JP) ..... 2006-026527

(51) **LOC (8) Cl.** ..... **24-01**

(52) **U.S. Cl.** ..... **D24/216**

(58) **Field of Classification Search** ..... D24/216-230;  
422/100, 101, 102, 104; 210/282, 455, 497.01  
See application file for complete search history.

(56) **References Cited**

**U.S. PATENT DOCUMENTS**

3,295,686 A \* 1/1967 Krueger ..... 210/455  
5,308,483 A \* 5/1994 Sklar et al. .... 422/101  
5,807,481 A \* 9/1998 Hodgkins et al. .... 210/455  
D421,129 S \* 2/2000 Haynes ..... D24/224  
6,495,042 B1 \* 12/2002 Knight ..... 210/497.01  
D511,214 S \* 11/2005 Sasano et al. .... D24/224  
D516,223 S \* 2/2006 Smith ..... D24/224  
7,247,245 B1 \* 7/2007 Proulx et al. .... 210/455  
2004/0063169 A1 \* 4/2004 Kane ..... 422/101  
2005/0242018 A1 \* 11/2005 Hodgkin et al. .... 210/198.2  
2006/0065587 A1 5/2006 Shigesada et al.

**FOREIGN PATENT DOCUMENTS**

JP 2006-95499 A 4/2006  
JP 2006-102566 A 4/2006  
WO WO 2005-037413 A1 4/2005  
WO WO 2005-037983 A1 4/2005  
WO WO 2006-038344 A1 4/2006

WO WO 2006-038345 A2 4/2006

**OTHER PUBLICATIONS**

U.S. Appl. No. 29/274,082, Keiji Shigesada, filed Mar. 28, 2007.

\* cited by examiner

*Primary Examiner*—Louis S Zarfes

*Assistant Examiner*—Anhdao Doan

(74) *Attorney, Agent, or Firm*—Sughrue Mion, PLLC

(57) **CLAIM**

The ornamental design for a cap of cartridge for component extraction, as shown and described.

**DESCRIPTION**

FIG. 1 is a perspective view of the top, front and right side of a cap of cartridge for component extraction showing our new design;

FIG. 2 is a front elevational view thereof;

FIG. 3 is a rear elevational view thereof;

FIG. 4 is a top plan view thereof;

FIG. 5 is a bottom plan view thereof;

FIG. 6 is a right side elevational view thereof;

FIG. 7 is a left side elevational view thereof;

FIG. 8 is a cross-sectional view thereof taken at the direction of line 8—8 of FIG. 3;

FIG. 9 is a cross-sectional view thereof taken at line 9—9 of FIG. 3;

FIG. 10 is a cross-sectional view thereof taken at line 10—10 of FIG. 3;

FIG. 11 is a cross-sectional view thereof taken at line 11—11 of FIG. 3;

FIG. 12 is a front elevational view thereof without filter;

FIG. 13 is a cross-sectional view thereof taken at the direction of line 8—8 of FIG. 4 without filter; and,

FIG. 14 is an exploded perspective view thereof while in use.

The portions shown in broken lines are for environmental purposes only and form no part of the claimed design.

**1 Claim, 8 Drawing Sheets**

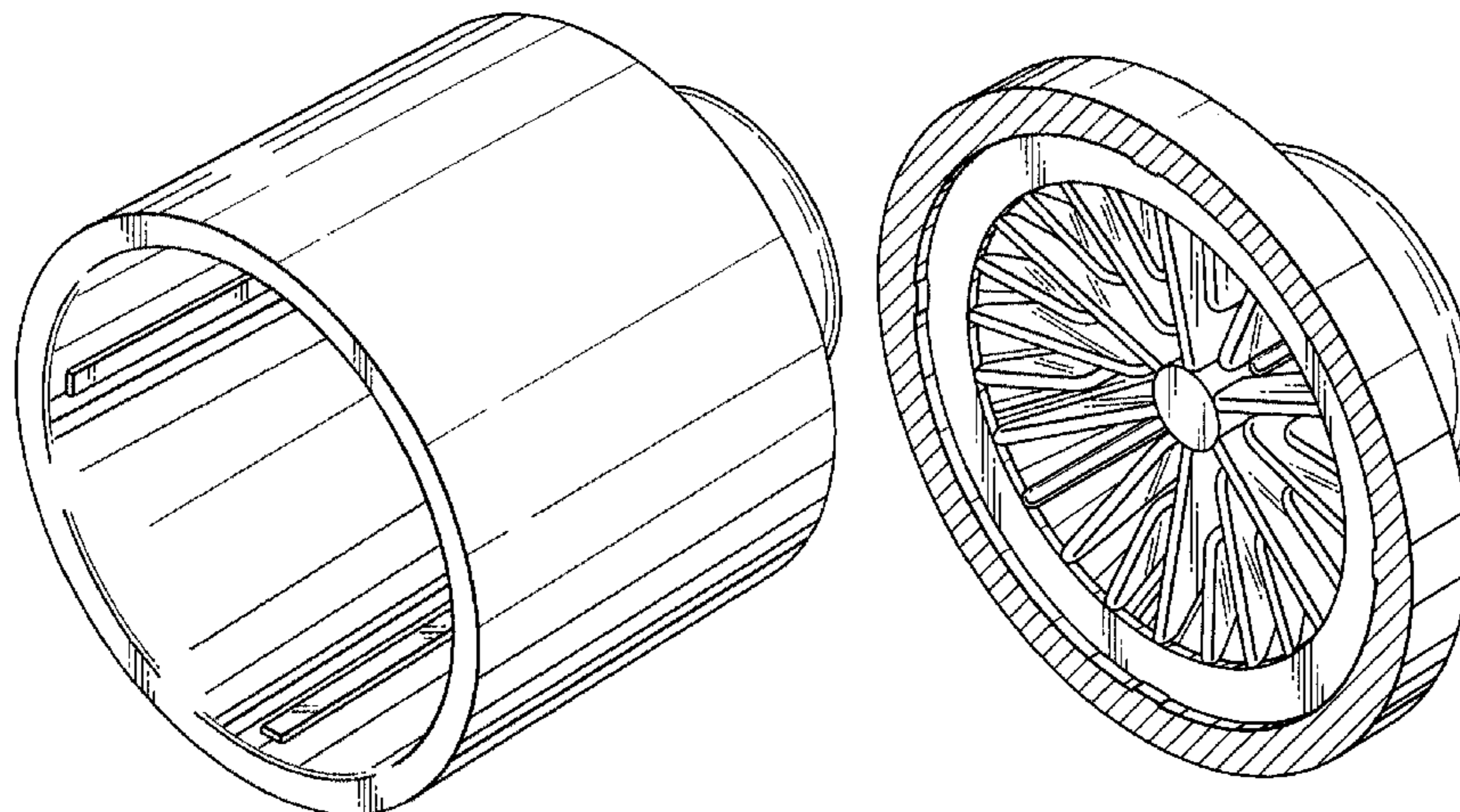


FIG. 1

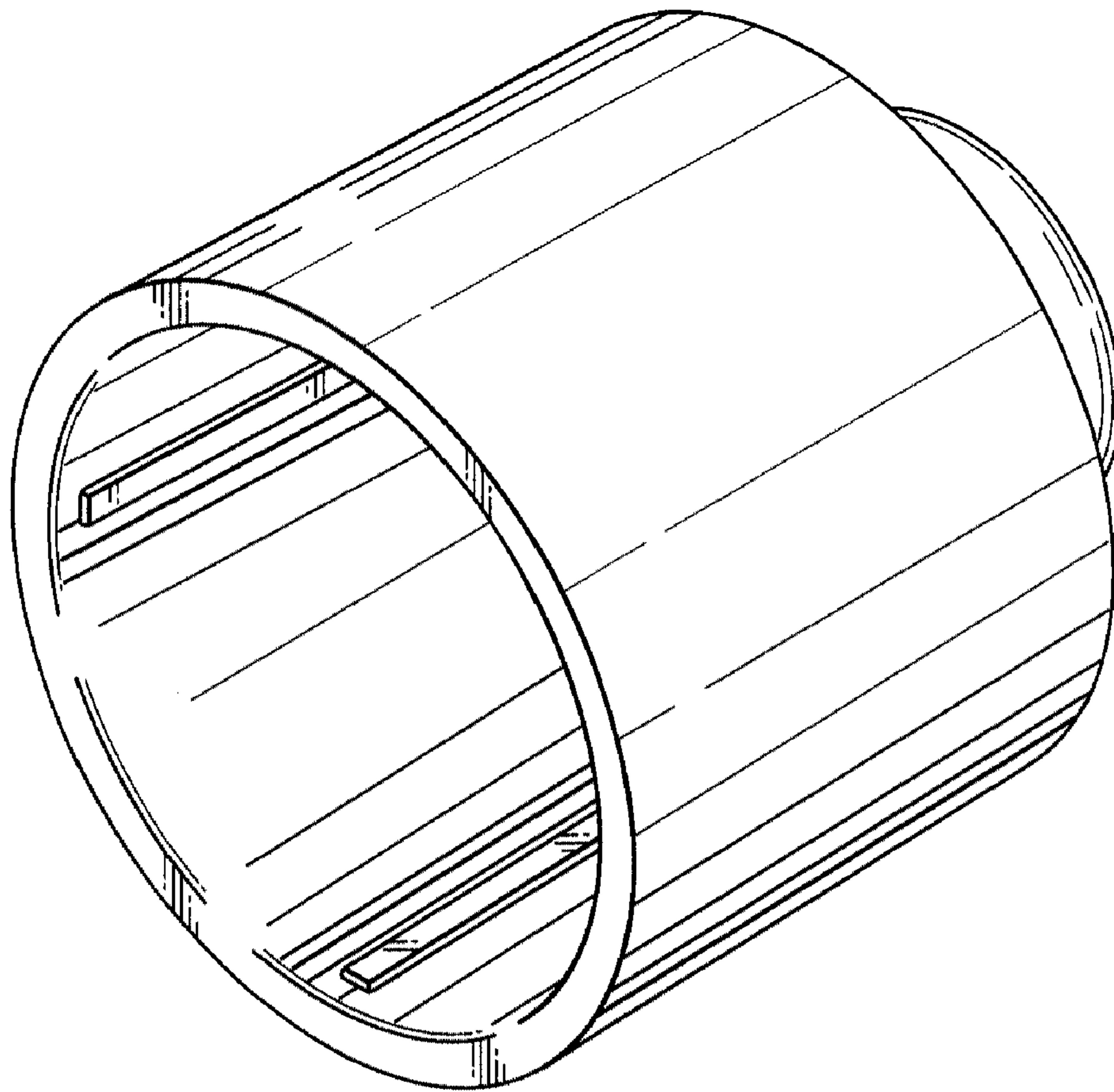


FIG. 2

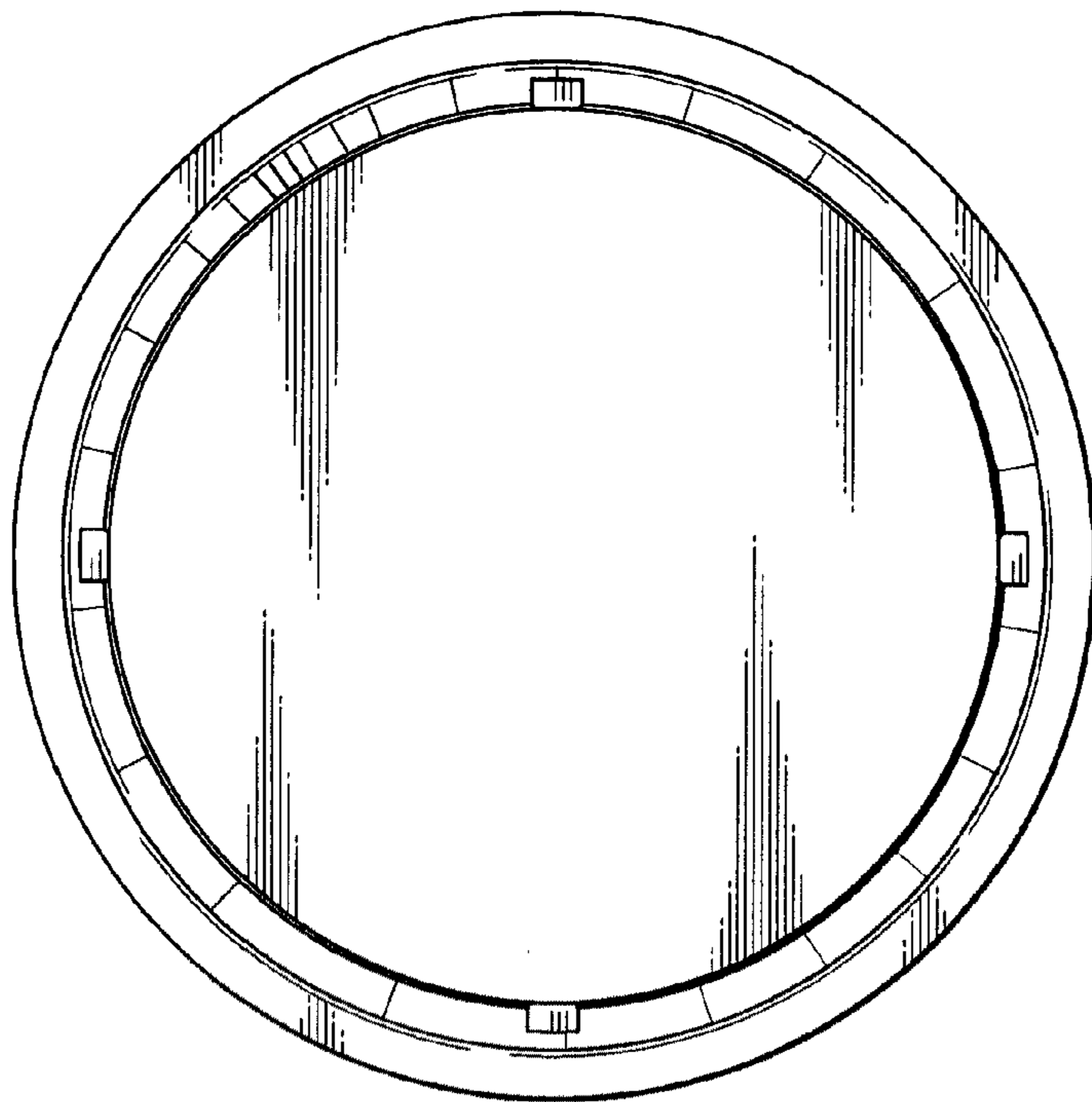


FIG. 3

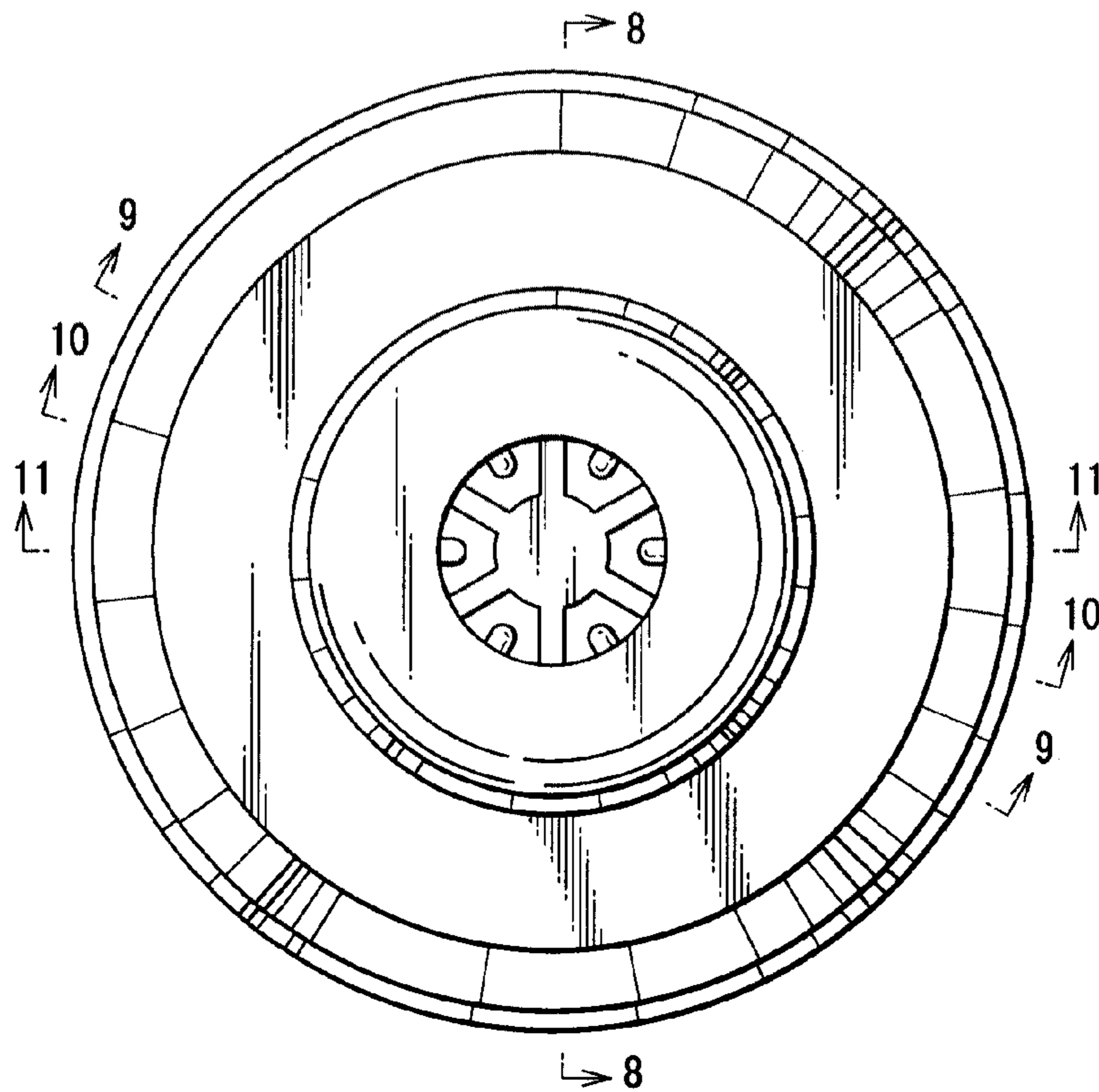


FIG. 4

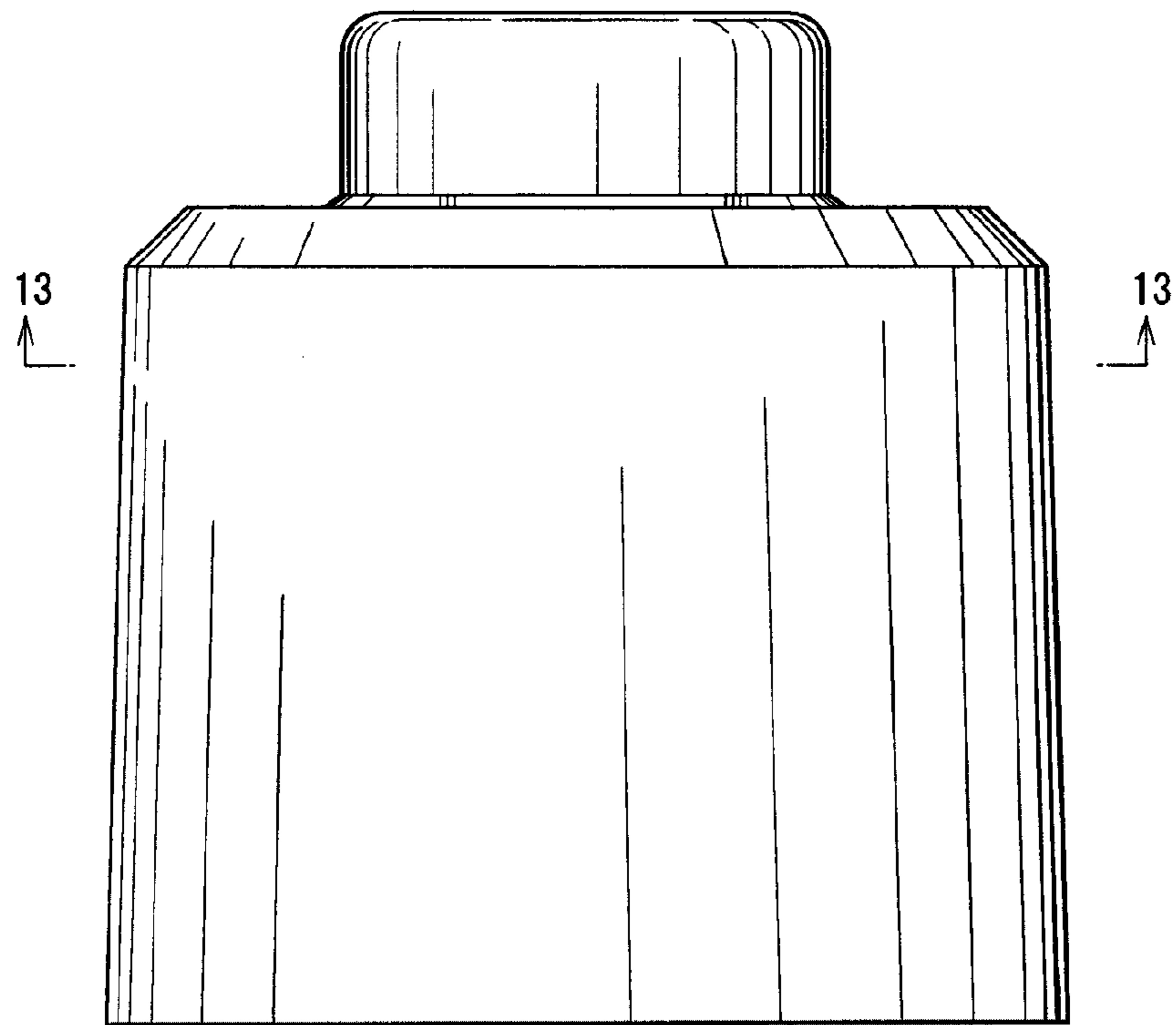


FIG. 5

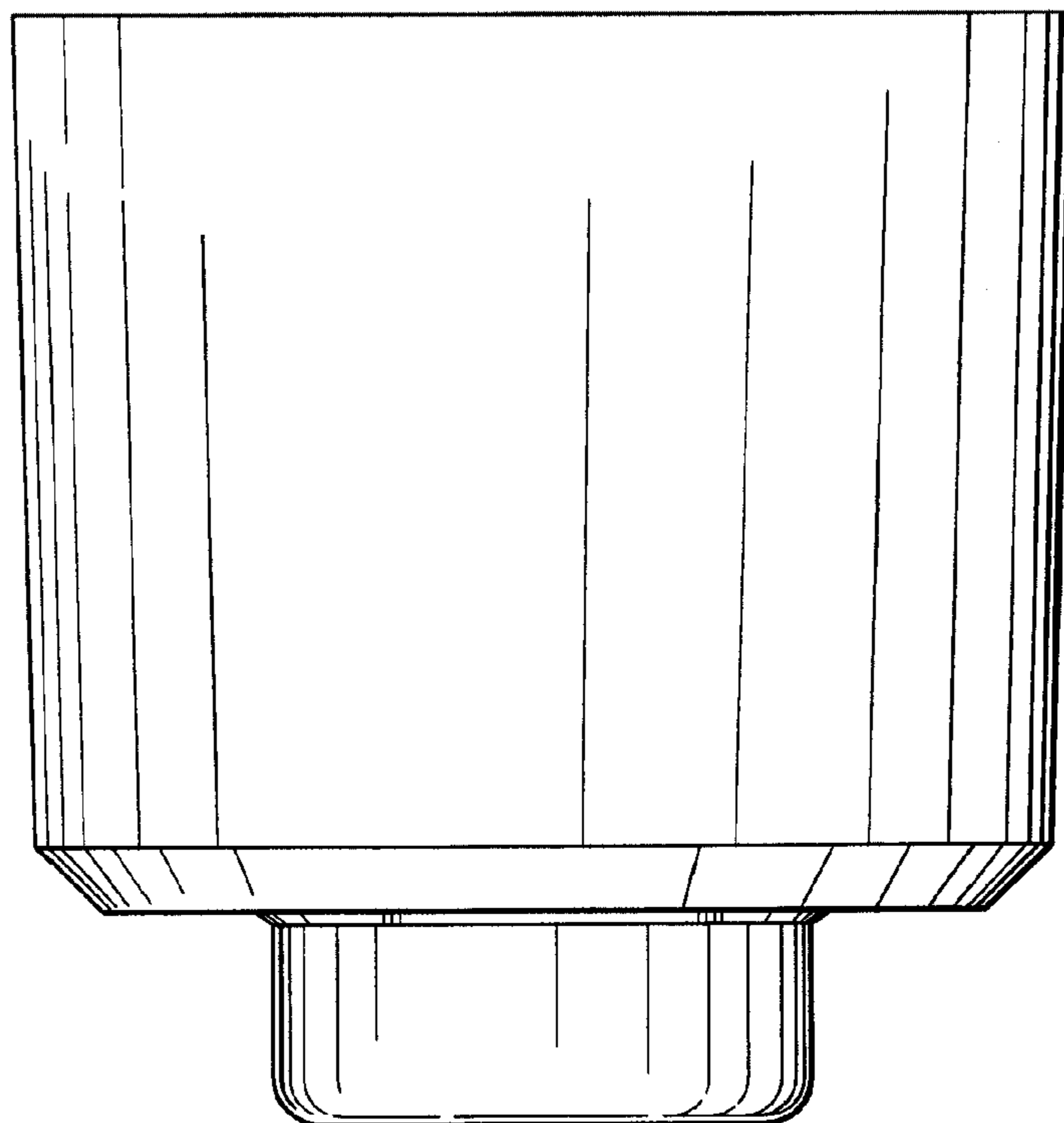


FIG. 6

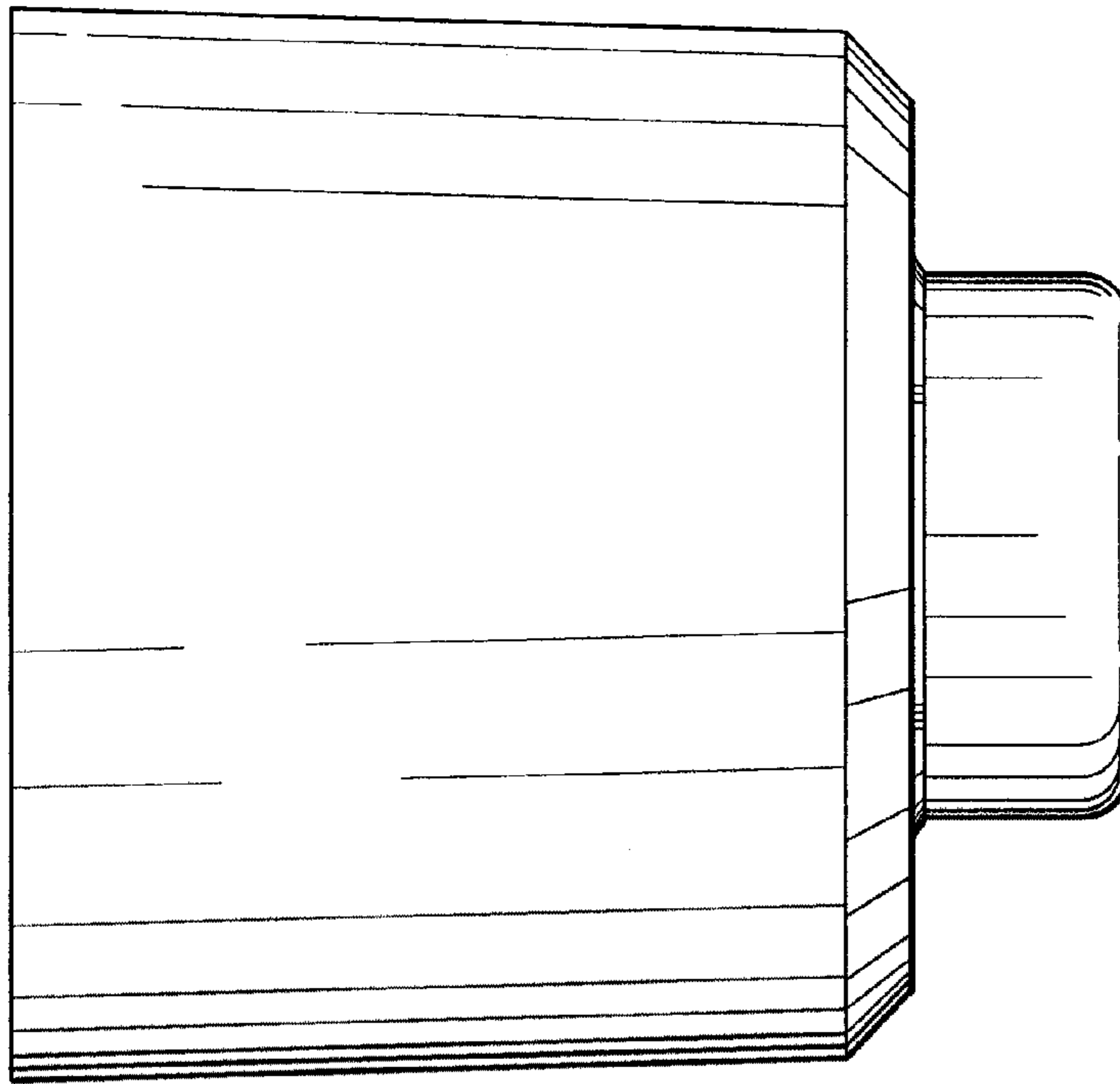


FIG. 7

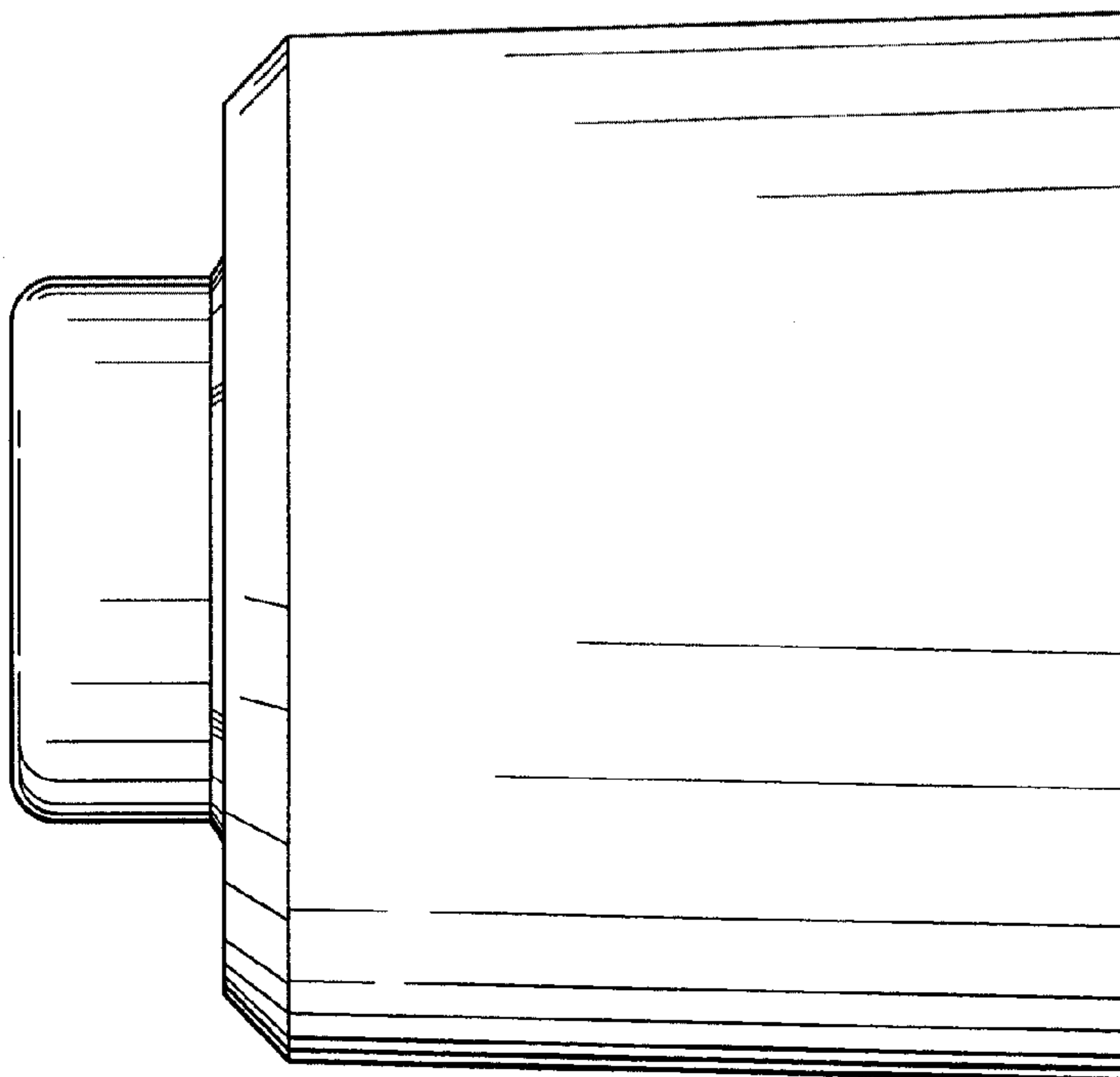


FIG. 8

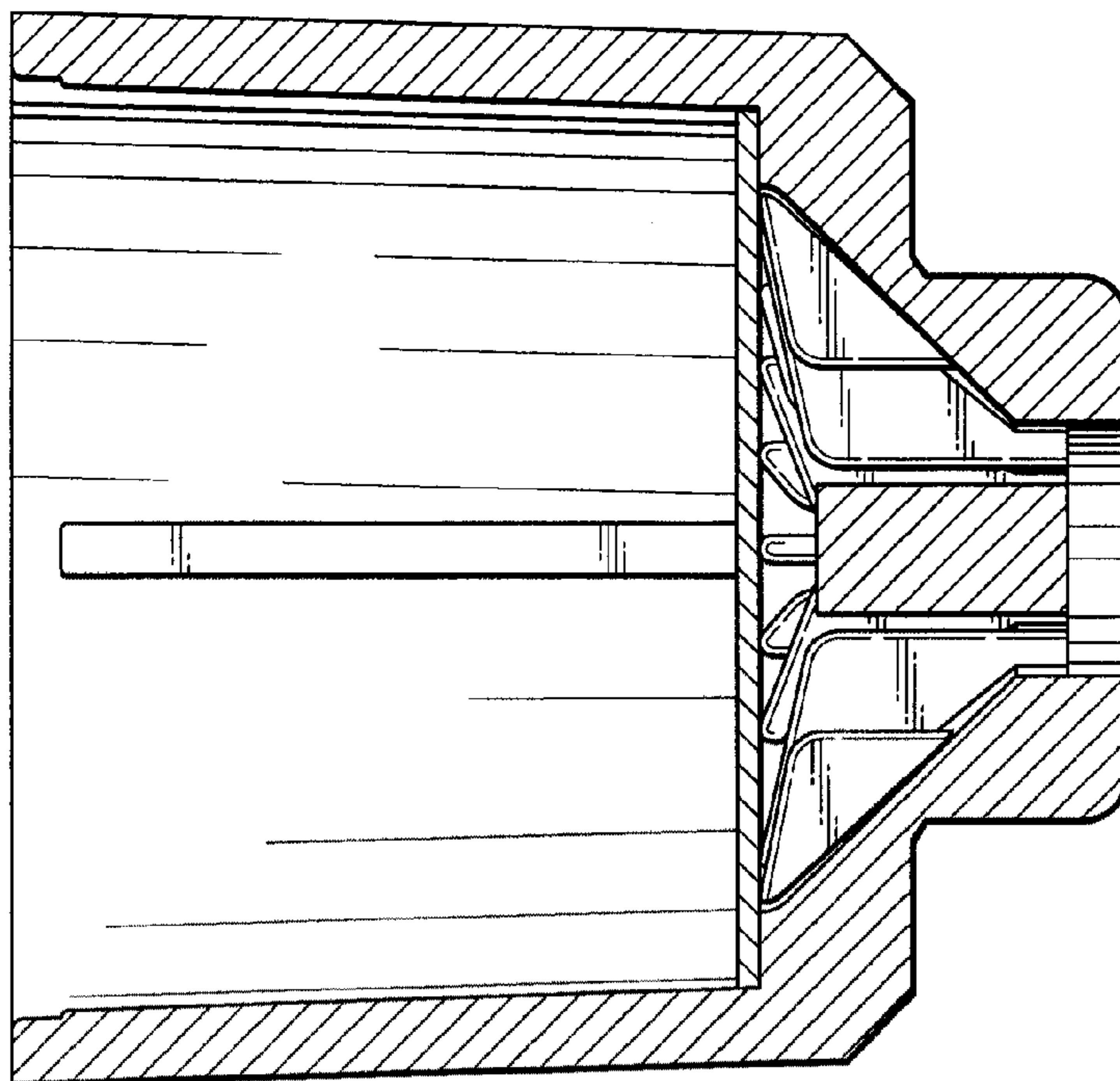


FIG. 9

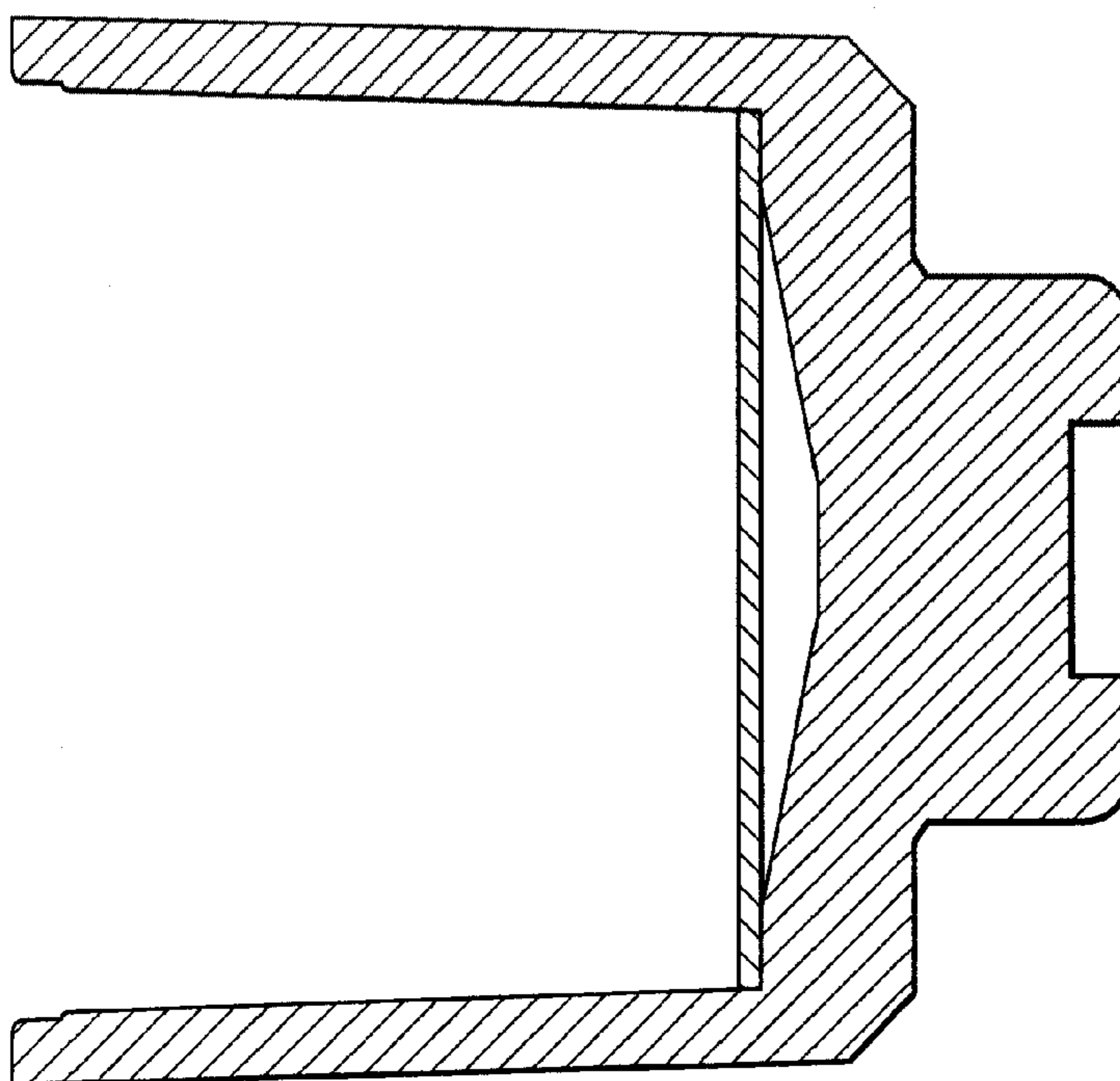


FIG. 10

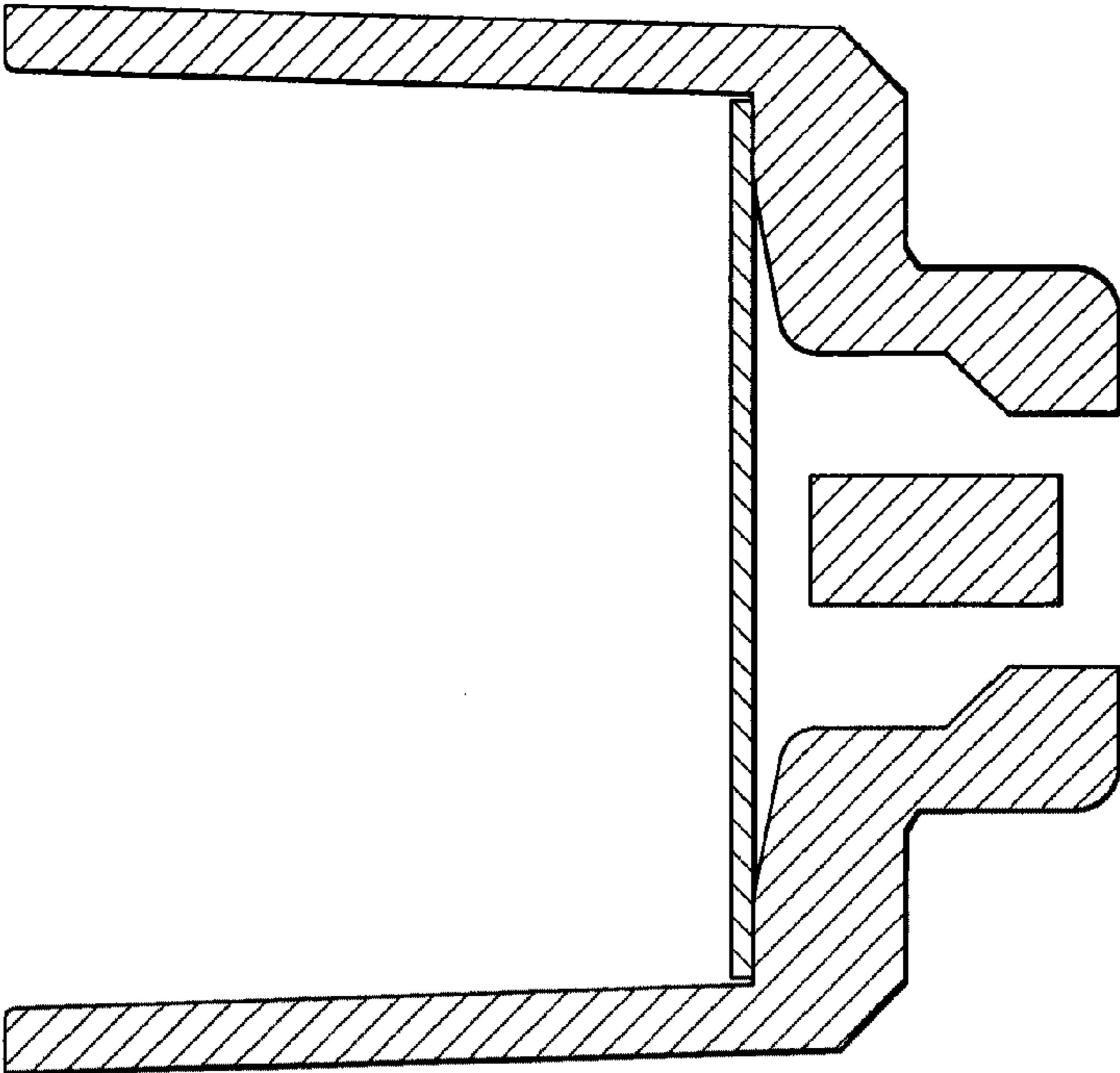


FIG. 11

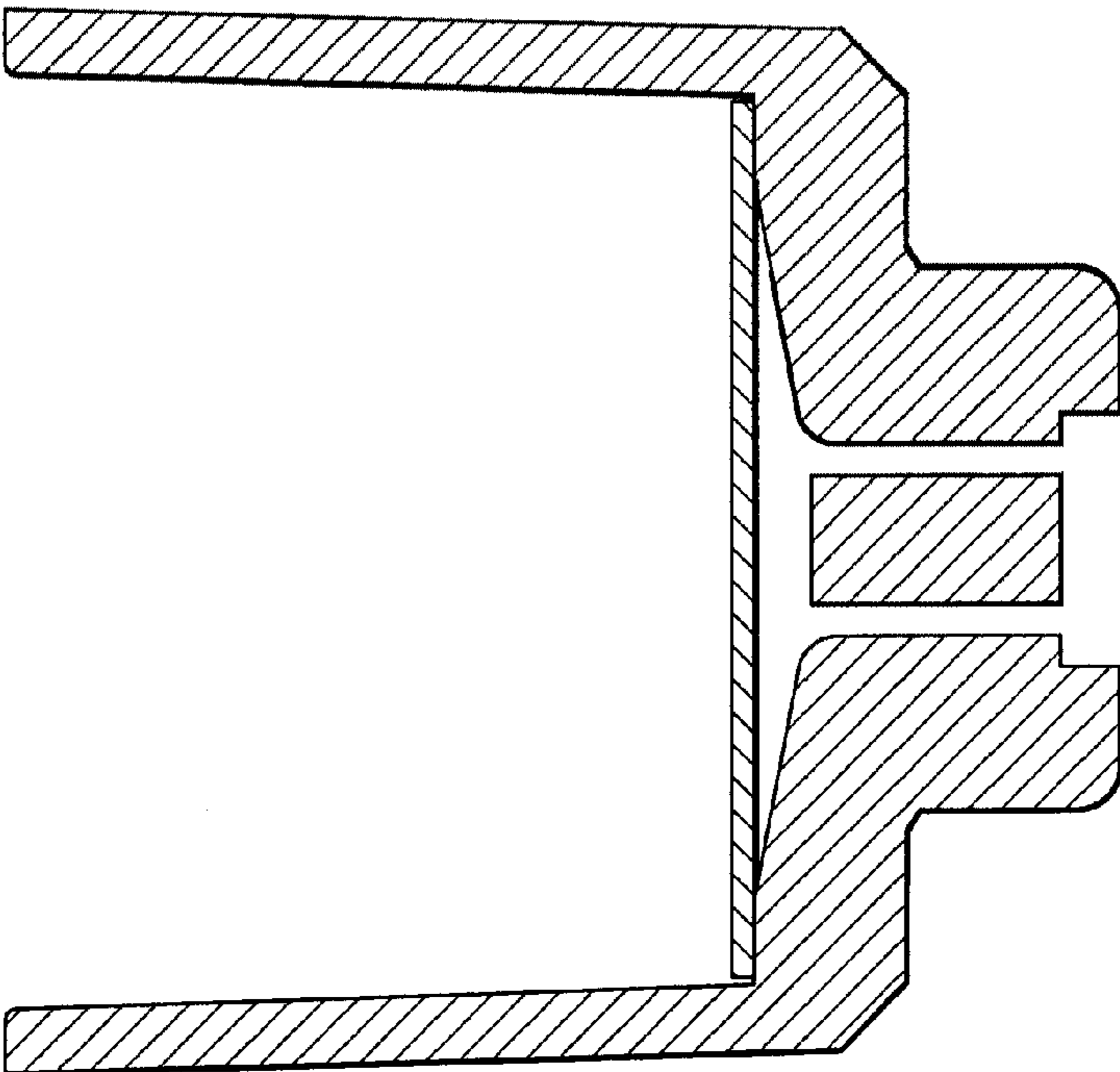


FIG. 12

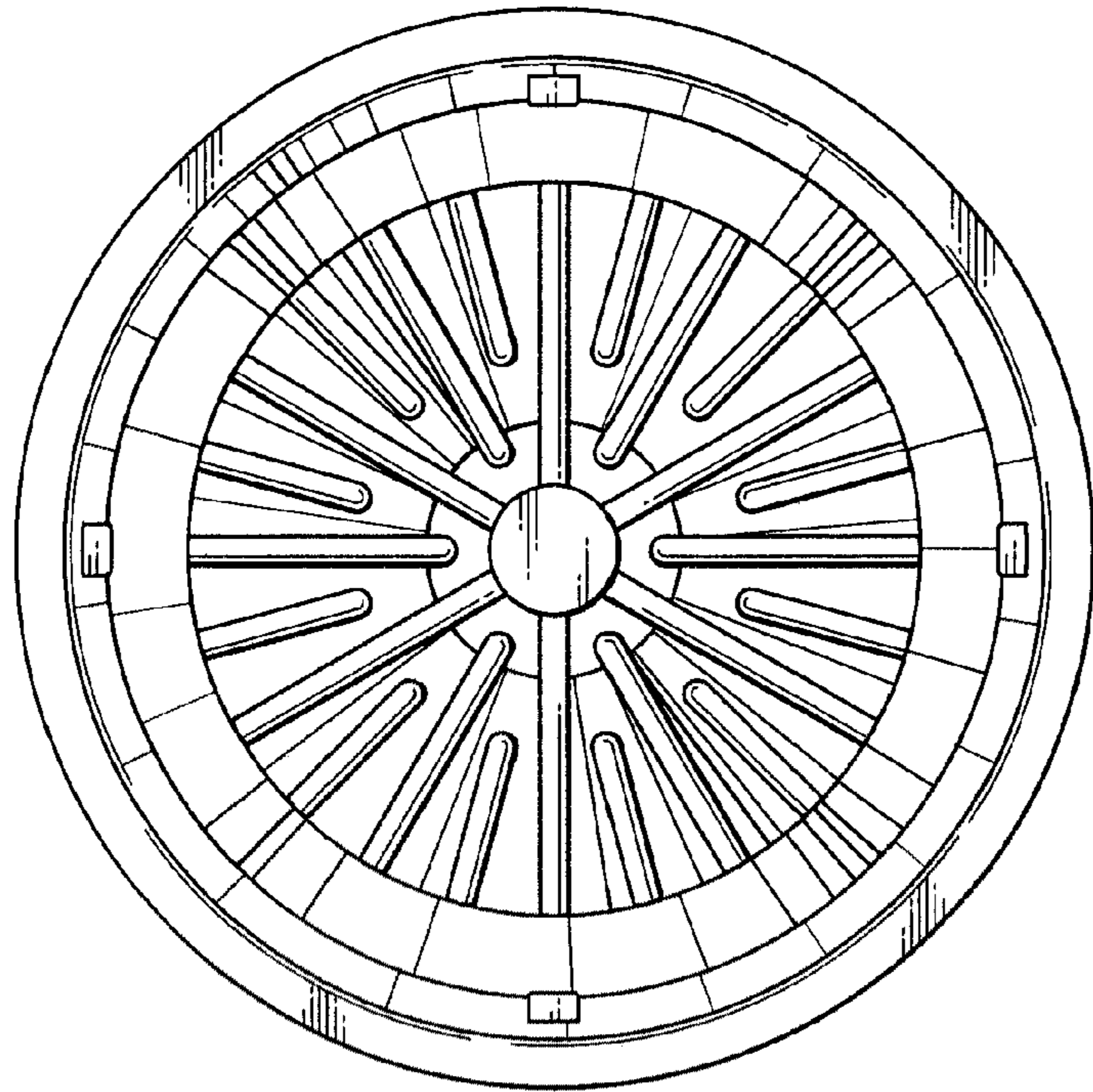


FIG. 13

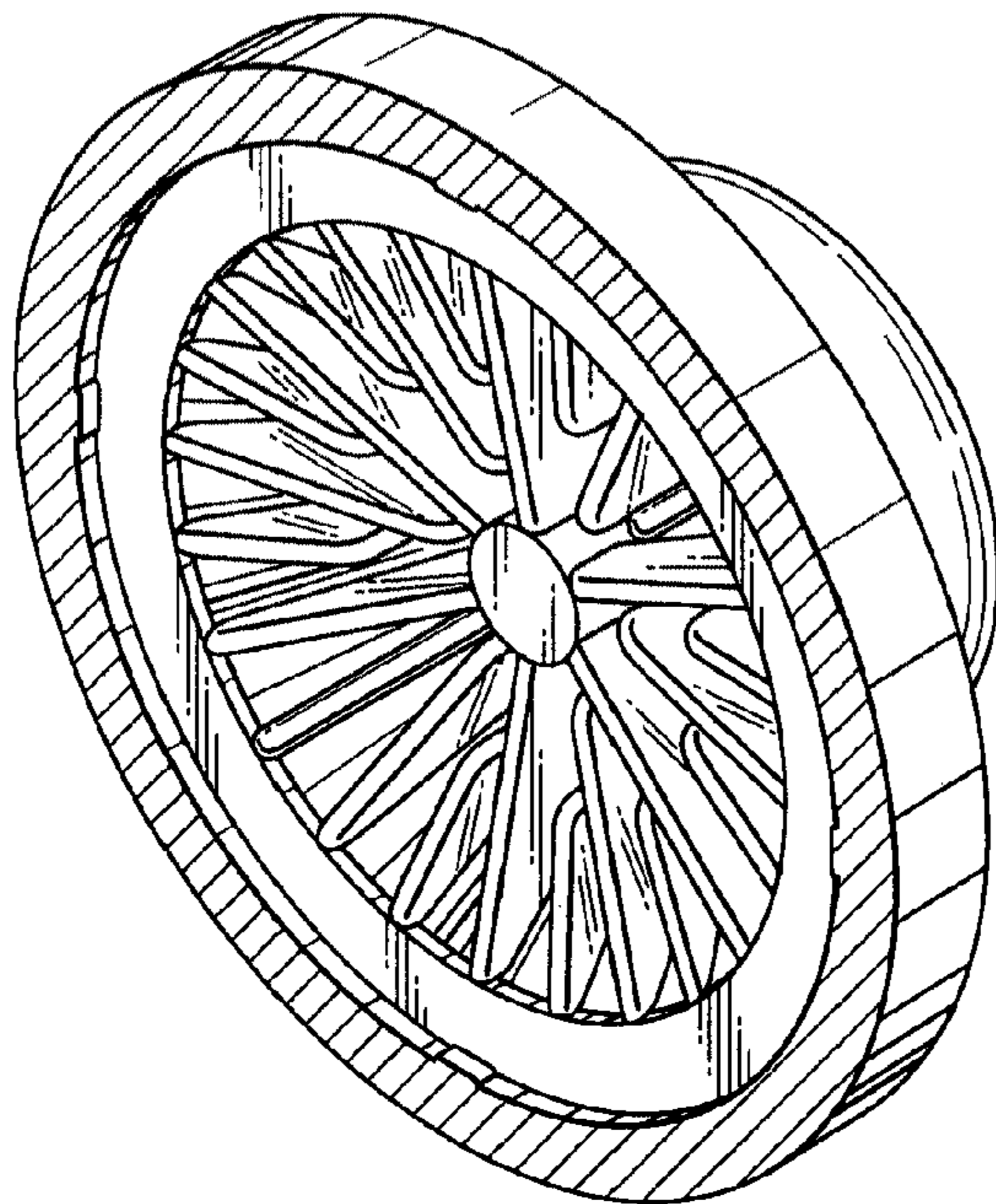




FIG. 14

