



US00D580552S

(12) **United States Design Patent**
Cohen et al.

(10) **Patent No.:** **US D580,552 S**
(45) **Date of Patent:** **** Nov. 11, 2008**

(54) **SPINAL IMPLANT**

(75) Inventors: **Robert C. Cohen**, Rockaway Township, NJ (US); **Christopher J. Valois**, Champlin, MN (US); **David A. Hanson**, Urbandale, IA (US)

(73) Assignee: **Zimmer Spine, Inc.**, Minneapolis, MN (US)

(**) Term: **14 Years**

(21) Appl. No.: **29/277,221**

(22) Filed: **Feb. 19, 2007**

(51) **LOC (8) Cl.** **24-03**

(52) **U.S. Cl.** **D24/155**

(58) **Field of Classification Search** D24/155, D24/156, 157; 623/17.11, 16.17; D8/391-393, D8/382, 354; 606/246, 247, 248, 249, 258, 606/267, 280, 70, 71, 283, 299, 166, 903, 606/905, 906, 286, 396

See application file for complete search history.

(56) **References Cited**

U.S. PATENT DOCUMENTS

4,950,296	A	8/1990	McIntyre	
5,306,309	A	4/1994	Wagner et al.	
5,683,464	A	11/1997	Wagner et al.	
5,702,449	A	12/1997	McKay	
5,776,199	A	7/1998	Michelson	
5,888,222	A	3/1999	Coates et al.	
5,989,289	A	11/1999	Coates et al.	
6,039,762	A	3/2000	McKay	
D425,989	S *	5/2000	Michelson	D24/155
D450,121	S *	11/2001	Anderson	D24/155
6,371,988	B1	4/2002	Pafford et al.	
6,423,095	B1	7/2002	Van Hoeck et al.	
D472,633	S *	4/2003	Anderson	D24/155
D472,634	S *	4/2003	Anderson	D24/155
D472,972	S *	4/2003	Anderson	D24/155
6,638,310	B2	10/2003	Lin et al.	
6,706,067	B2	3/2004	Shimp et al.	
6,749,636	B2	6/2004	Michelson	
D530,423	S *	10/2006	Miles et al.	D24/155

D553,742	S *	10/2007	Park	D24/155
D553,743	S *	10/2007	Park	D24/155
D566,842	S *	4/2008	Robie	D24/155
2002/0026243	A1	2/2002	Lin	
2003/0028197	A1	2/2003	Hanson et al.	
2003/0060886	A1	3/2003	Van Hoeck et al.	
2004/0230306	A1	11/2004	Hoeck et al.	
2004/0230308	A1	11/2004	Michelson	
2005/0049706	A1	3/2005	Brodke et al.	
2005/0107879	A1	5/2005	Christensen et al.	
2005/0119753	A1	6/2005	McGahan et al.	
2005/0171606	A1	8/2005	Michelson	
2005/0251257	A1	11/2005	Mitchell et al.	

FOREIGN PATENT DOCUMENTS

WO	9909914	A1	3/1999
WO	0007528	A1	2/2000

OTHER PUBLICATIONS

Zimmer Spine, Inc., Puros Accugraft ALIF Allograft Surgical Technique, Aug. 2004, pp. 1-15, USA.

(Continued)

Primary Examiner—Charles A Rademaker

(74) *Attorney, Agent, or Firm*—Crompton, Seager & Tufte, LLC.

(57) **CLAIM**

The ornamental design for a spinal implant, as shown and described.

DESCRIPTION

FIG. 1 is a perspective view of a spinal implant showing my new design;

FIG. 2 is a top plan view thereof, the side opposite being a mirror image;

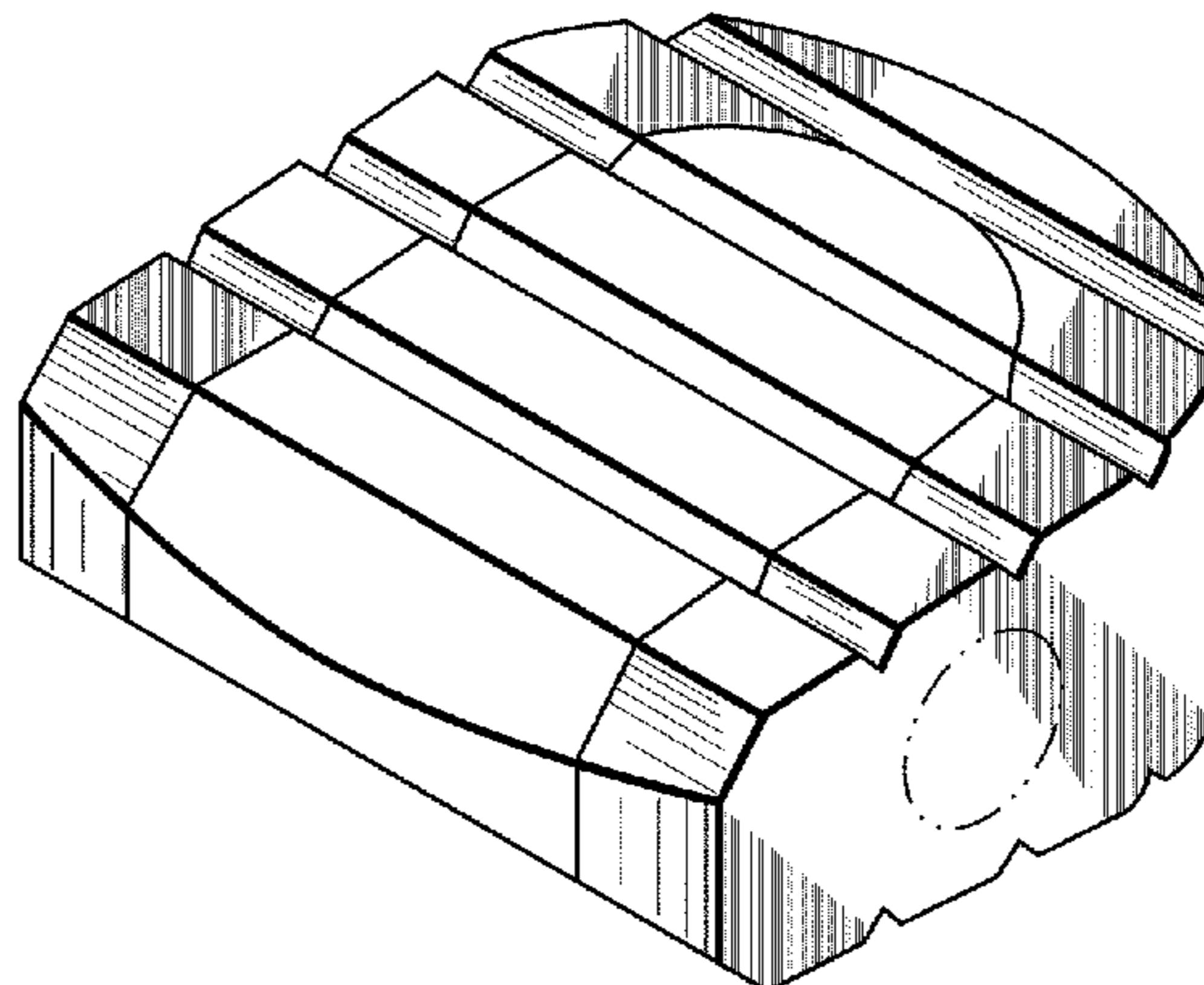
FIG. 3 is a front elevation thereof;

FIG. 4 is a rear elevation thereof; and,

FIG. 5 is a right side elevation thereof, the side opposite being a mirror image.

The broken lines shown in the drawing are included for the purpose of illustrating unclaimed subject matter and form no part of the claimed design.

1 Claim, 1 Drawing Sheet



OTHER PUBLICATIONS

Zimmer Spine, Inc., Puros Allografts Reference Guide, Product Information, Nov. 2004, 4 pages, USA.

Zimmer Spine, Inc., Puros Accugraft ALIF Allograft System, Three-In-One Solution, 2005, 4 pages, USA.

Zimmer Spine, Inc., Puros Cervical Specialty Allograft, A New Angle on Strength and Consistency, 2005, 4 pages, USA.

Zimmer Spine, Inc., Puros Symmetry PLIF Allograft System, 2005, 4 pages, USA.

* cited by examiner

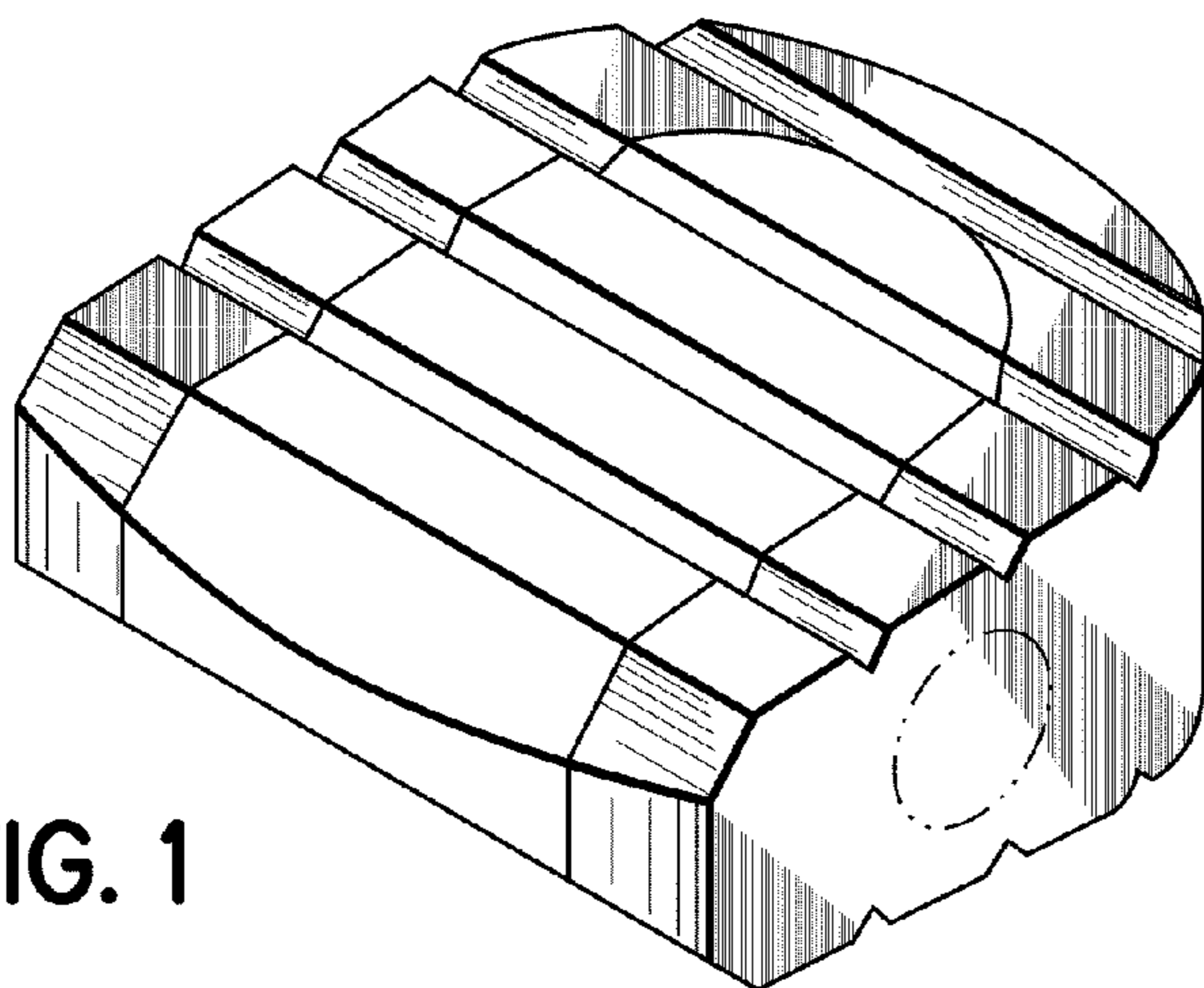


FIG. 1

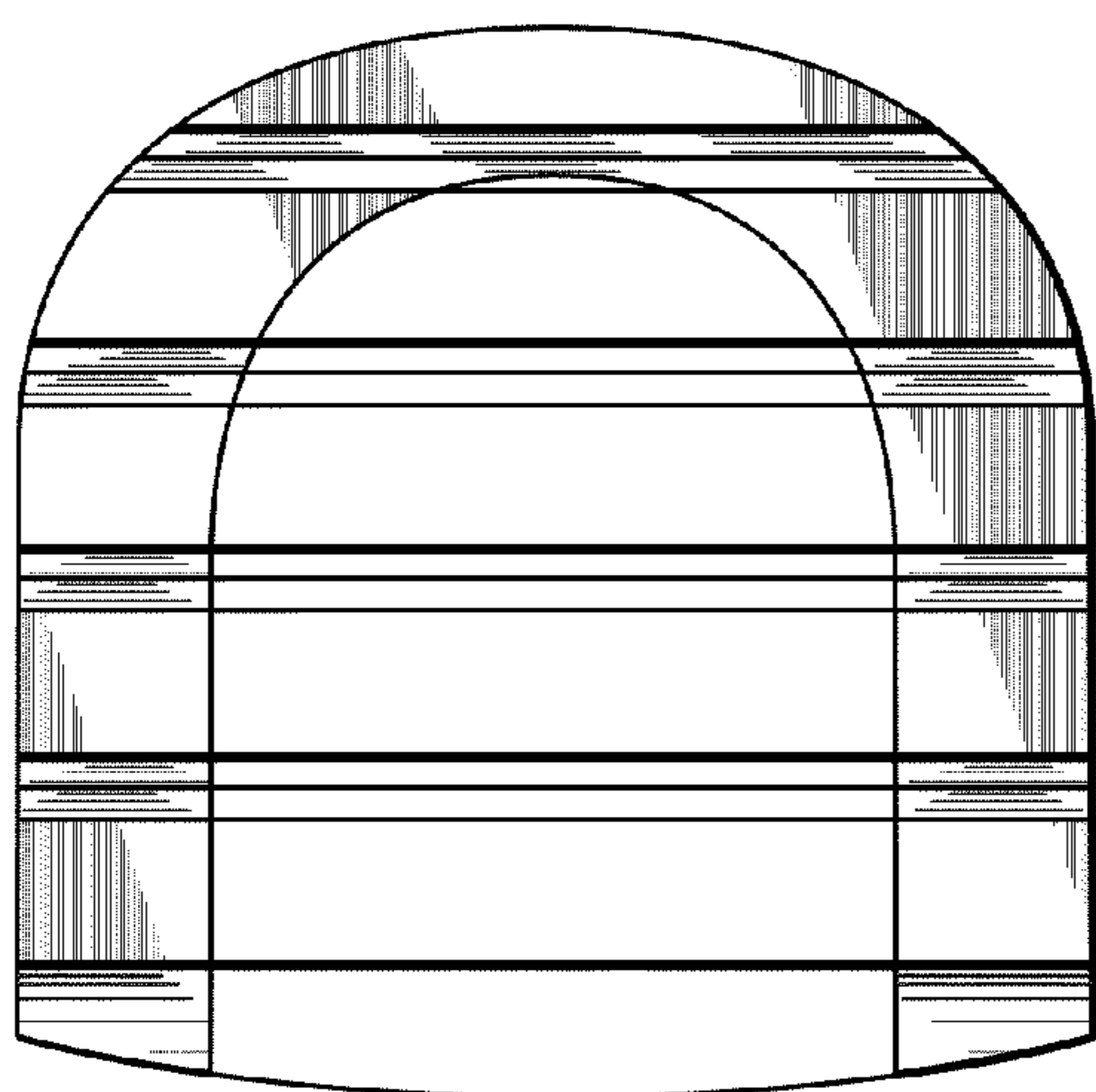


FIG. 2

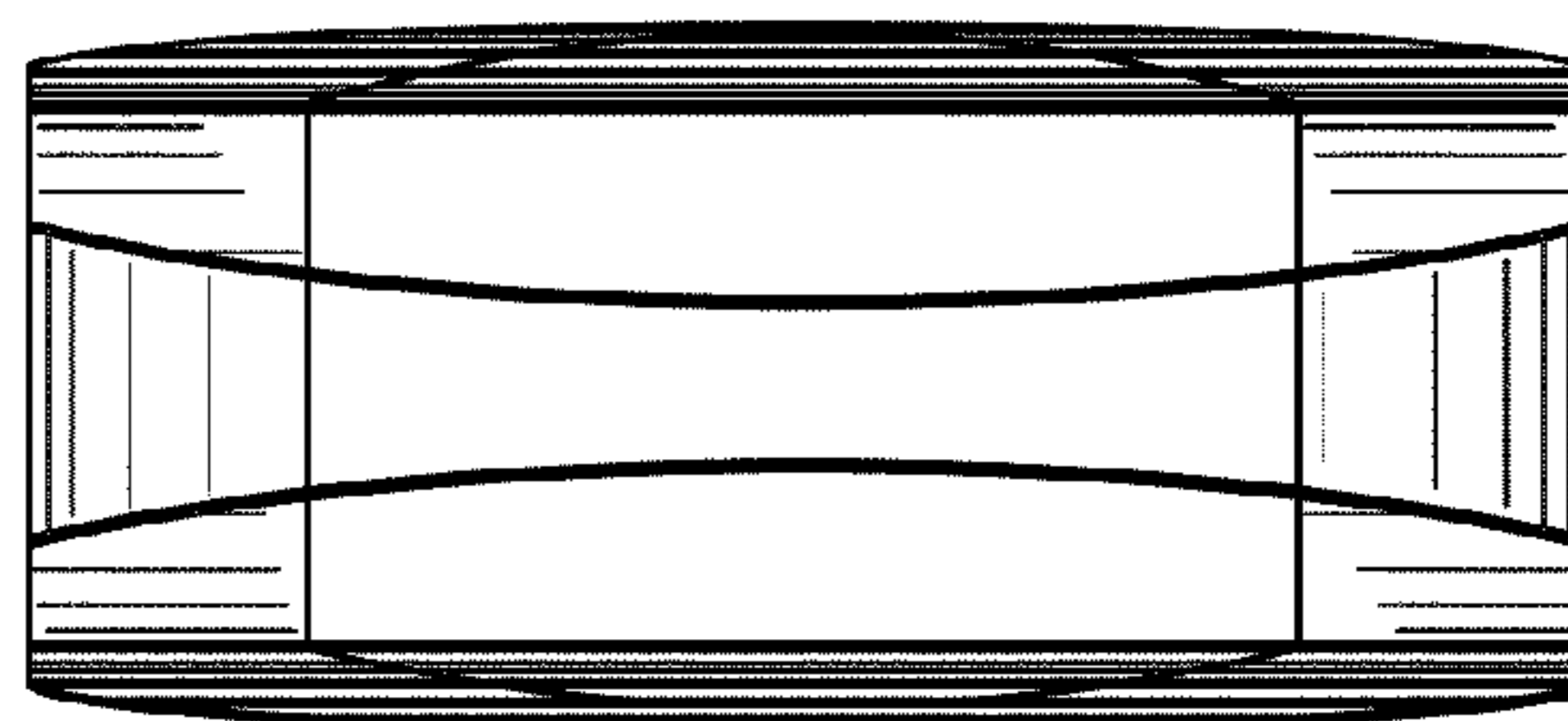


FIG. 3

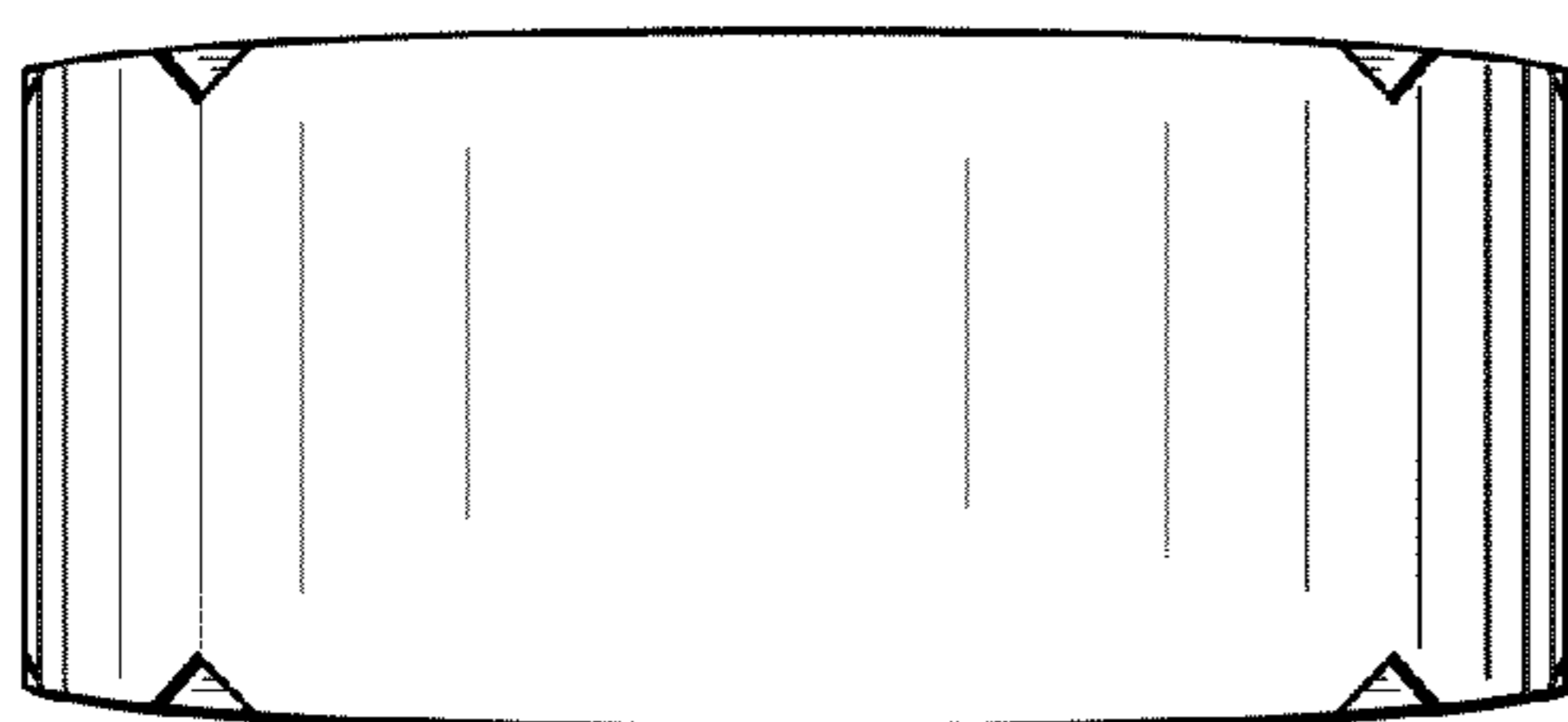


FIG. 4

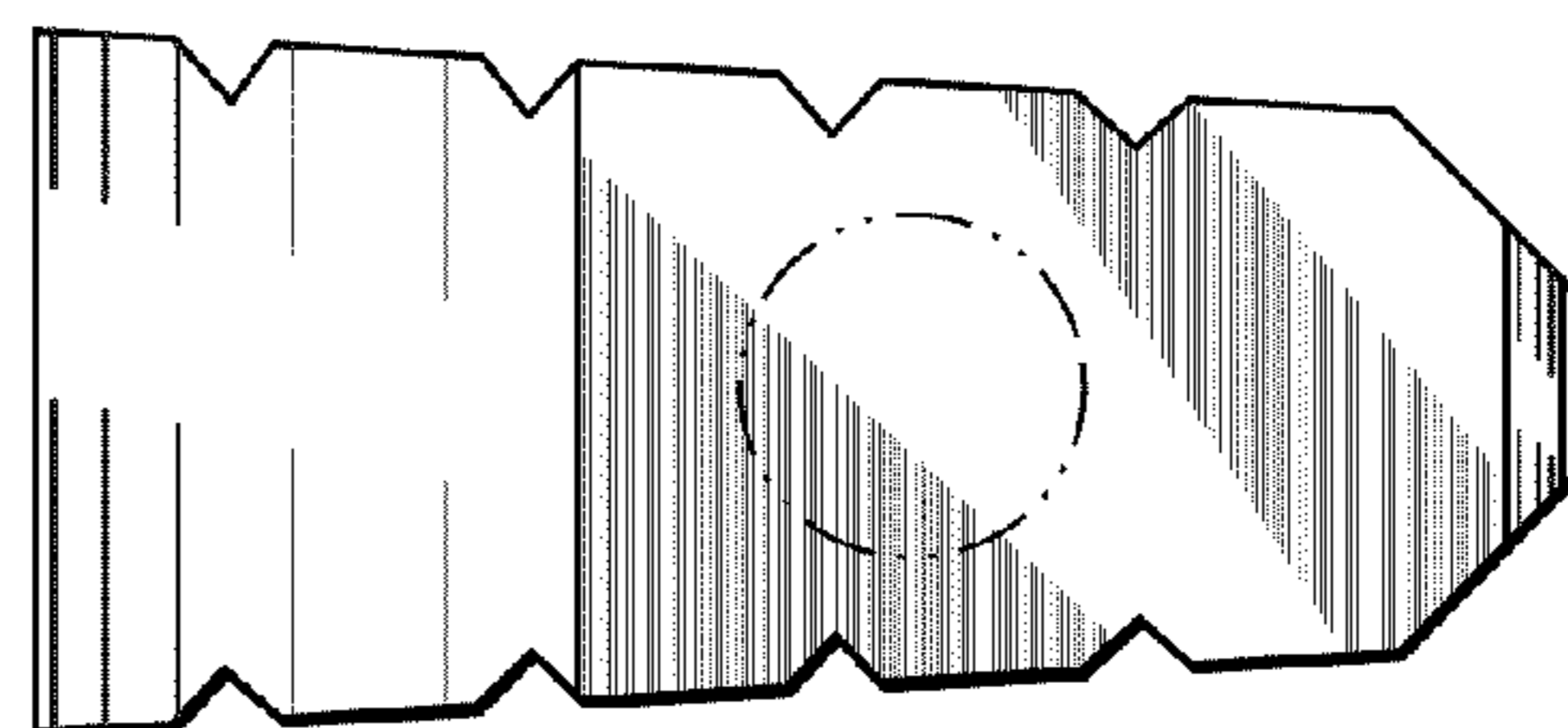


FIG. 5