



US00D580551S

(12) **United States Design Patent**  
**Cohen**

(10) **Patent No.:** **US D580,551 S**

(45) **Date of Patent:** **\*\* Nov. 11, 2008**

(54) **SPINAL IMPLANT**

(75) **Inventor:** **Robert C. Cohen**, Rockaway Township, NJ (US)

(73) **Assignee:** **Zimmer Spine, Inc.**, Minneapolis, MN (US)

(\*\*) **Term:** **14 Years**

(21) **Appl. No.:** **29/276,676**

(22) **Filed:** **Feb. 1, 2007**

(51) **LOC (8) Cl.** ..... **24-03**

(52) **U.S. Cl.** ..... **D24/155**

(58) **Field of Classification Search** ..... D24/155,  
D24/156, 157; 623/17.11, 16.71; D8/391-393,  
D8/382, 354; 606/246, 247, 248, 249, 258,  
606/267, 280, 70, 71, 283, 299, 166, 903,  
606/905, 906, 286, 396

See application file for complete search history.

(56) **References Cited**

**U.S. PATENT DOCUMENTS**

4,484,570	A	11/1984	Sutter et al.
4,516,276	A	5/1985	Mittlemeier et al.
4,566,466	A	1/1986	Ripple et al.
4,637,931	A	1/1987	Schmitz
4,834,757	A	5/1989	Brantigan
4,950,296	A	8/1990	McIntyre
4,950,926	A	8/1990	Isobe et al.
4,961,740	A	10/1990	Ray et al.
5,061,786	A	10/1991	Burnier et al.

(Continued)

**FOREIGN PATENT DOCUMENTS**

WO 9909914 A1 3/1999

(Continued)

**OTHER PUBLICATIONS**

Sofamor Danek, "Surgical Technique Using Bone Dowel Instrumentation for Anterior Approach," Title Page, Table of Contents, pp. 2-16, 19, and Page Entitled Important Information Concerning Sofamor Danek Instruments, publication date unknown.

(Continued)

*Primary Examiner*—Charles A Rademaker

(74) *Attorney, Agent, or Firm*—Crompton, Seager & Tufte, LLC

(57) **CLAIM**

The ornamental design for a spinal implant, as shown and described.

**DESCRIPTION**

FIG. 1 is a perspective view of a spinal implant showing my new design;

FIG. 2 is a top plan view thereof, the side opposite being a mirror image;

FIG. 3 is a right side elevation thereof;

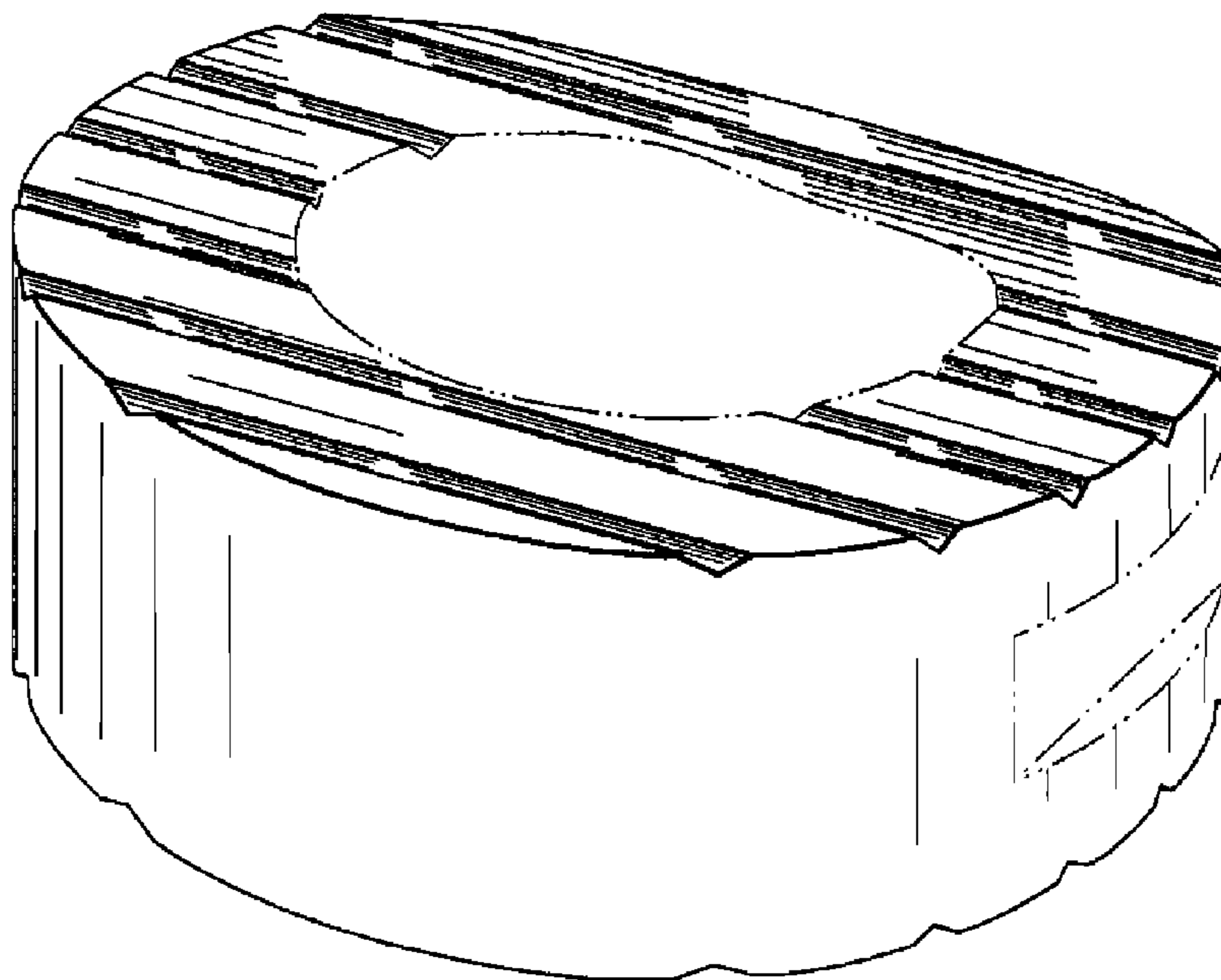
FIG. 4 is a left side elevation thereof;

FIG. 5 is a front elevation thereof; and,

FIG. 6 is a rear elevation of thereof.

The broken lines shown in the drawing are included for the purpose of illustrating unclaimed subject matter and form no part of the claimed design.

**1 Claim, 3 Drawing Sheets**



U.S. PATENT DOCUMENTS

5,192,237	A	3/1993	Pegoraro	
5,192,327	A	3/1993	Brantigan	
5,207,710	A	5/1993	Chu et al.	
5,298,254	A	3/1994	Prewett et al.	
5,314,476	A	5/1994	Prewett et al.	
5,401,269	A	3/1995	Buttner-Janz et al.	
5,423,817	A	6/1995	Lin	
5,439,684	A	8/1995	Prewett et al.	
5,443,514	A	8/1995	Steffee	
5,507,813	A	4/1996	Dowd et al.	
5,522,899	A	6/1996	Michelson	
5,534,030	A	7/1996	Navarro et al.	
5,545,222	A	8/1996	Bonutti	
5,607,424	A	3/1997	Tropiano	
5,609,636	A	3/1997	Kohrs et al.	
5,653,763	A	8/1997	Errico et al.	
5,662,710	A	9/1997	Bonutti	
5,702,449	A	12/1997	McKay	
5,709,683	A	1/1998	Bagby	
5,716,415	A	2/1998	Steffee	
5,728,159	A	3/1998	Stroeve et al.	
5,749,916	A	5/1998	Richelsoph	
5,769,897	A	6/1998	Harle	
5,776,197	A	7/1998	Rabbe et al.	
5,776,199	A	7/1998	Michelson	
5,782,830	A	7/1998	Farris	
5,800,547	A	9/1998	Schafer et al.	
5,814,084	A	9/1998	Grivas et al.	
5,824,078	A	10/1998	Nelson et al.	
5,868,749	A	2/1999	Reed	
5,888,219	A	3/1999	Bonutti	
5,888,222	A	3/1999	Coates et al.	
5,899,939	A	5/1999	Boyce et al.	
5,968,047	A	10/1999	Reed	
5,984,967	A	11/1999	Zdeblick et al.	
5,989,289	A	11/1999	Coates et al.	
6,030,635	A	2/2000	Gertzman et al.	
6,039,762	A	3/2000	McKay	
6,066,174	A	5/2000	Farris	
6,083,225	A	7/2000	Winslow et al.	
6,111,164	A	8/2000	Rainey et al.	
6,113,638	A	9/2000	Williams et al.	
6,132,472	A	10/2000	Bonutti	
6,143,033	A	11/2000	Paul et al.	
6,159,215	A	12/2000	Urbahns et al.	
6,241,771	B1	6/2001	Gresser et al.	
6,270,528	B1	8/2001	McKay	
6,277,149	B1	8/2001	Boyle et al.	
D450,121	S *	11/2001	Anderson .....	D24/155
6,342,074	B1	1/2002	Simpson	
6,350,283	B1	2/2002	Michelson	
6,371,988	B1	4/2002	Pafford et al.	
6,379,385	B1	4/2002	Kalas et al.	
6,423,095	B1	7/2002	Van Hoeck et al.	
6,458,159	B1	10/2002	Thalgott	
6,482,233	B1	11/2002	Aebi et al.	
6,511,509	B1	1/2003	Ford et al.	
6,520,993	B2	2/2003	James et al.	
D472,634	S *	4/2003	Anderson .....	D24/155
D472,971	S *	4/2003	Anderson .....	D24/155
D472,972	S *	4/2003	Anderson .....	D24/155
D473,650	S *	4/2003	Anderson .....	D24/155
6,632,247	B2	10/2003	Boyer, II et al.	
6,638,310	B2	10/2003	Lin et al.	
6,749,636	B2	6/2004	Michelson	
7,048,765	B1	5/2006	Grooms et al.	
D530,423	S *	10/2006	Miles et al. ....	D24/155
D533,277	S *	12/2006	Blain .....	D24/155
D541,940	S *	5/2007	Blain .....	D24/155
D553,742	S *	10/2007	Park .....	D24/155
D553,743	S *	10/2007	Park .....	D24/155

2002/0026244	A1	2/2002	Trieu
2002/0087212	A1	7/2002	James et al.
2002/0165550	A1	11/2002	Frey et al.
2003/0028249	A1	2/2003	Baccelli et al.
2003/0100951	A1	5/2003	Serhan et al.
2003/0125739	A1	7/2003	Bagga et al.
2003/0144743	A1	7/2003	Edwards et al.
2003/0153975	A1	8/2003	Byrd, III et al.
2003/0191531	A1	10/2003	Berry et al.
2004/0068320	A1	4/2004	Robie et al.
2004/0158325	A1	8/2004	Errico et al.
2004/0181283	A1	9/2004	Boyer, II et al.
2004/0230306	A1	11/2004	Hoeck et al.
2004/0230308	A1	11/2004	Michelson
2004/0230309	A1	11/2004	DiMauro et al.
2005/0107879	A1	5/2005	Christensen et al.
2005/0119753	A1	6/2005	McGahan et al.
2005/0143822	A1	6/2005	Paul
2005/0171606	A1	8/2005	Michelson
2005/0177245	A1	8/2005	Leatherbury et al.
2005/0246021	A1	11/2005	Ringeisen et al.
2005/0251257	A1	11/2005	Mitchell et al.
2006/0100705	A1	5/2006	Puno et al.
2006/0247772	A1	11/2006	McKay

FOREIGN PATENT DOCUMENTS

WO	0007528	A1	2/2000
WO	0024327		5/2000
WO	0040177		7/2000
WO	0040179		7/2000

OTHER PUBLICATIONS

University of Florida Tissue Bank, Inc., "Allograft Catalog," 4 pages, publication date unknown.

University of Florida Tissue Bank, Inc., "Tissue Transplant Patient Education Series," 9 pages, publication date unknown.

Gerhart et al., "Biomechanical Optimization of a Model Particulate Composite for Orthopaedic Applications," J. Orthop. Res., vol. 4, No. 1, pp. 76-85, (abstract only) 1986.

Tan et al., "A Modified Technique of Anterior Lumbar Fusion with Femoral Cortical Allograft," Journal of Orthopaedic Surgical Techniques, vol. 5, No. 3, 1990.

Simmons, "Posterior Lumbar Interbody Fusion," The Adult Spine: Principles and Practice, vol. 2, pp. 1961-1987, 1991.

Ma, "Posterior Lumbar Interbody Fusion with Specialized Instruments," Clinical Orthopaedics and Related Research, No. 193, pp. 57-63, Mar. 1985.

Lewandrowski et al., "Improved Osteoinduction of Cortical Bone Allografts: a Study of the Effects of Laser Perforation and Partial Demineralization," Journal of Orthopaedic Research, vol. 15, pp. 748-756, 1997.

Stevenson, "Enhancement of Fracture Healing with Autogenous and Allogeneic Bone Grafts," Clinical Orthopaedics and Related Research, No. 355S, pp. S239-S246, 1998.

McCord et al., "Anterior Endoscopic Thoracolumbar Instrumentation and Implants," Current Orthopaedics, vol. 12, pp. 96-103, 1998.

DePuy AcroMed, Lumbar 1/F Cage with VSP Spinal System, 16 pages, 1999.

DePuy AcroMed, Lumbar 1/F Cage Implants & Instruments, Product Catalog, 14 pages, 1999.

Zimmer Spine, Inc., Puros Accugraft ALIF Allograft Surgical Technique, Aug. 2004, pp. 1-15, USA.

Zimmer Spine, Inc., Puros Allografts Reference Guide, Product Information, Nov. 2004, 4 pages, USA.

Zimmer Spine, Inc., Puros Accugraft ALIF Allograft System, Three-In-One Solution, 2005, 4 pages, USA.

Zimmer Spine, Inc., Puros Cervical Specialty Allograft, A New Angle on Strength and Consistency, 2005, 4 pages, USA.

Zimmer Spine, Inc., Puros Symmetry PLIF Allograft System, 2005, 4 pages, USA.

\* cited by examiner

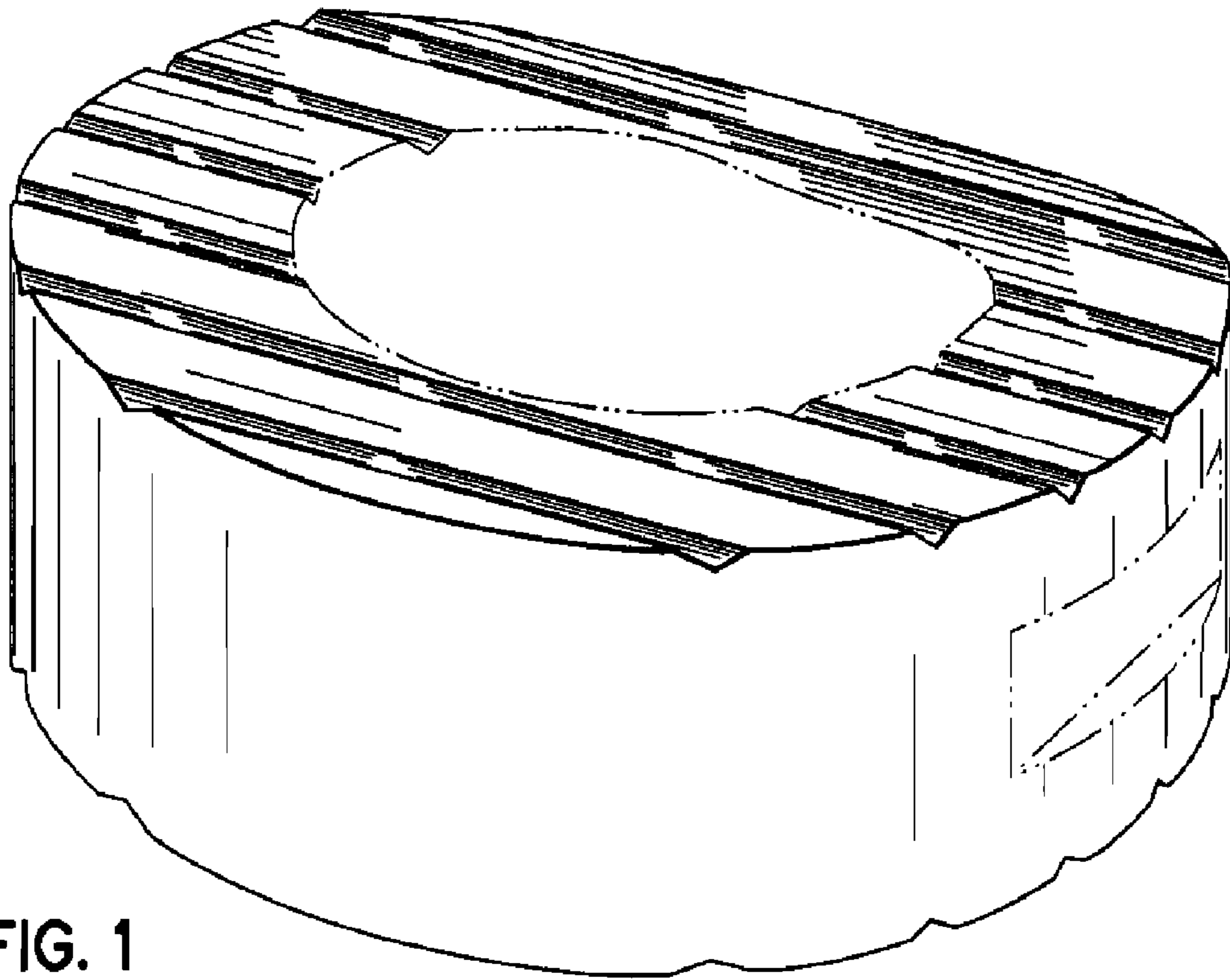


FIG. 1

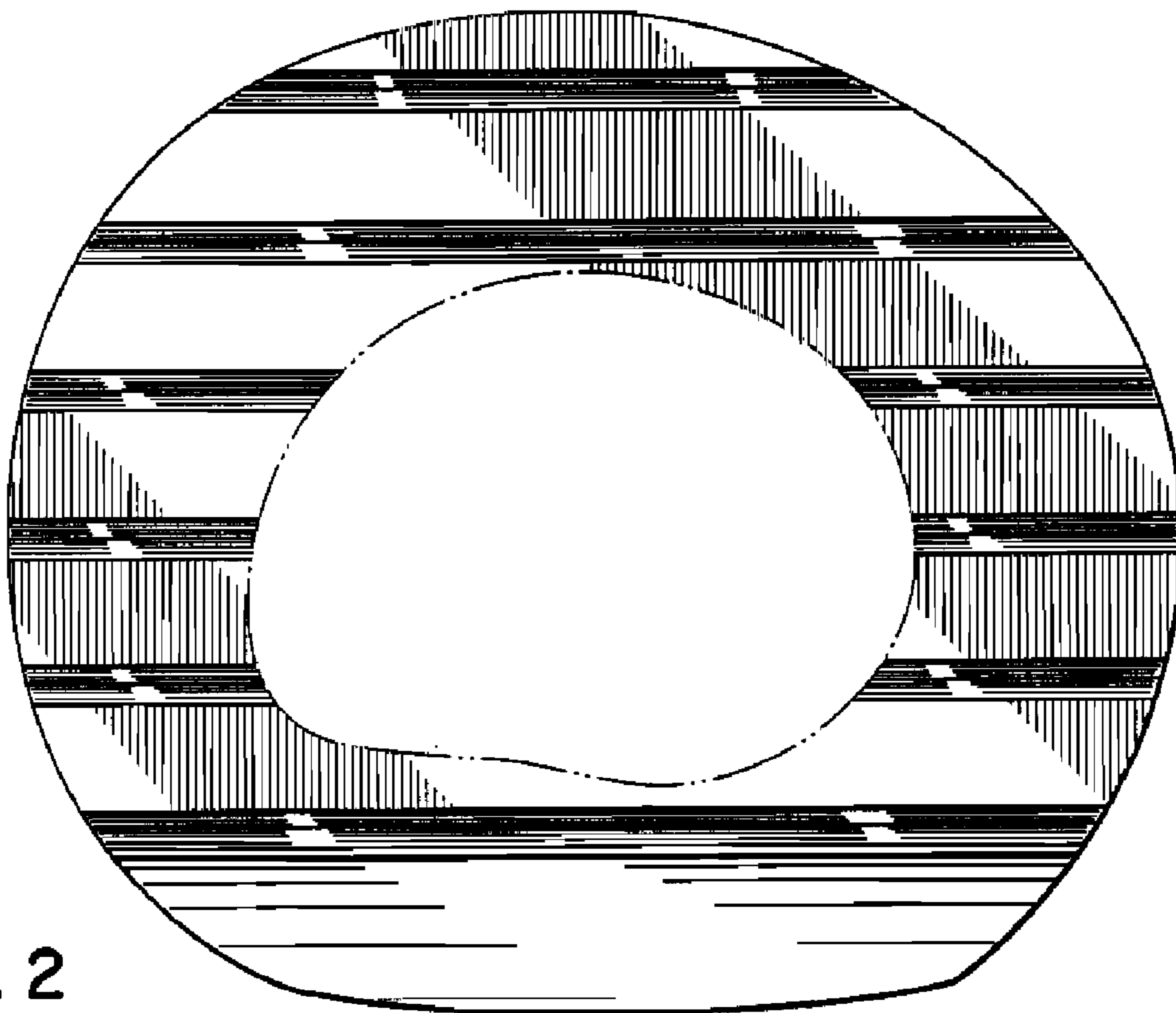


FIG. 2

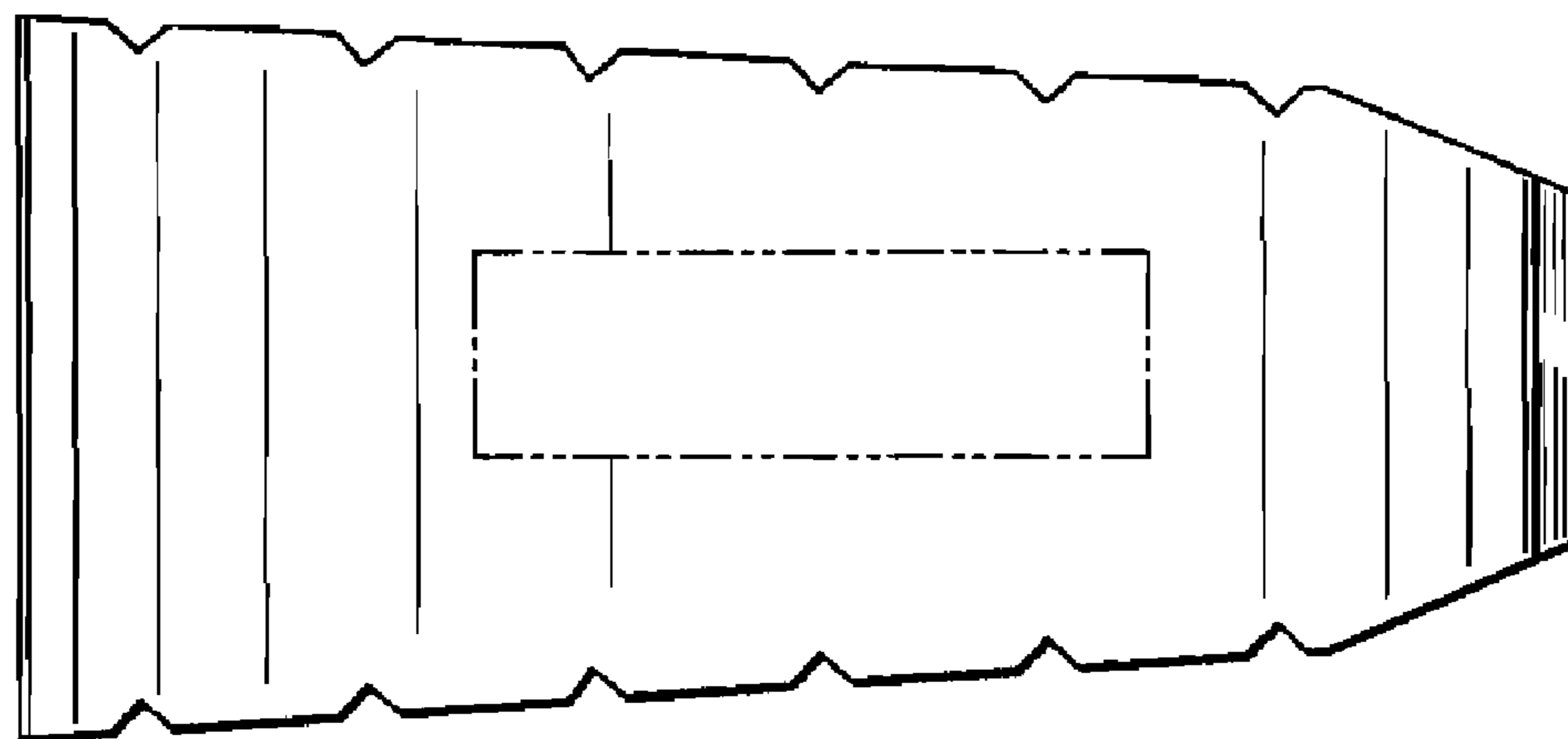


FIG. 3

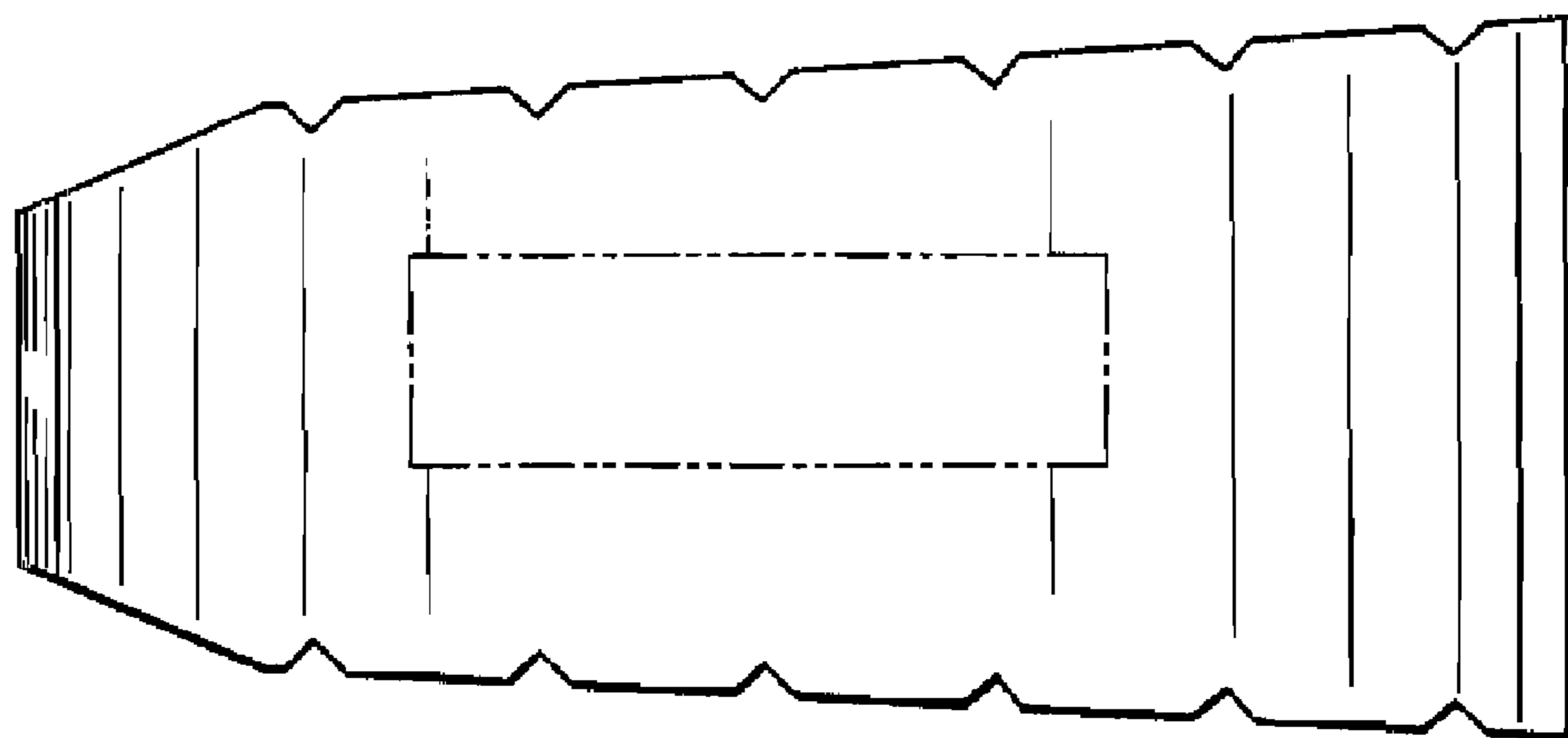


FIG. 4

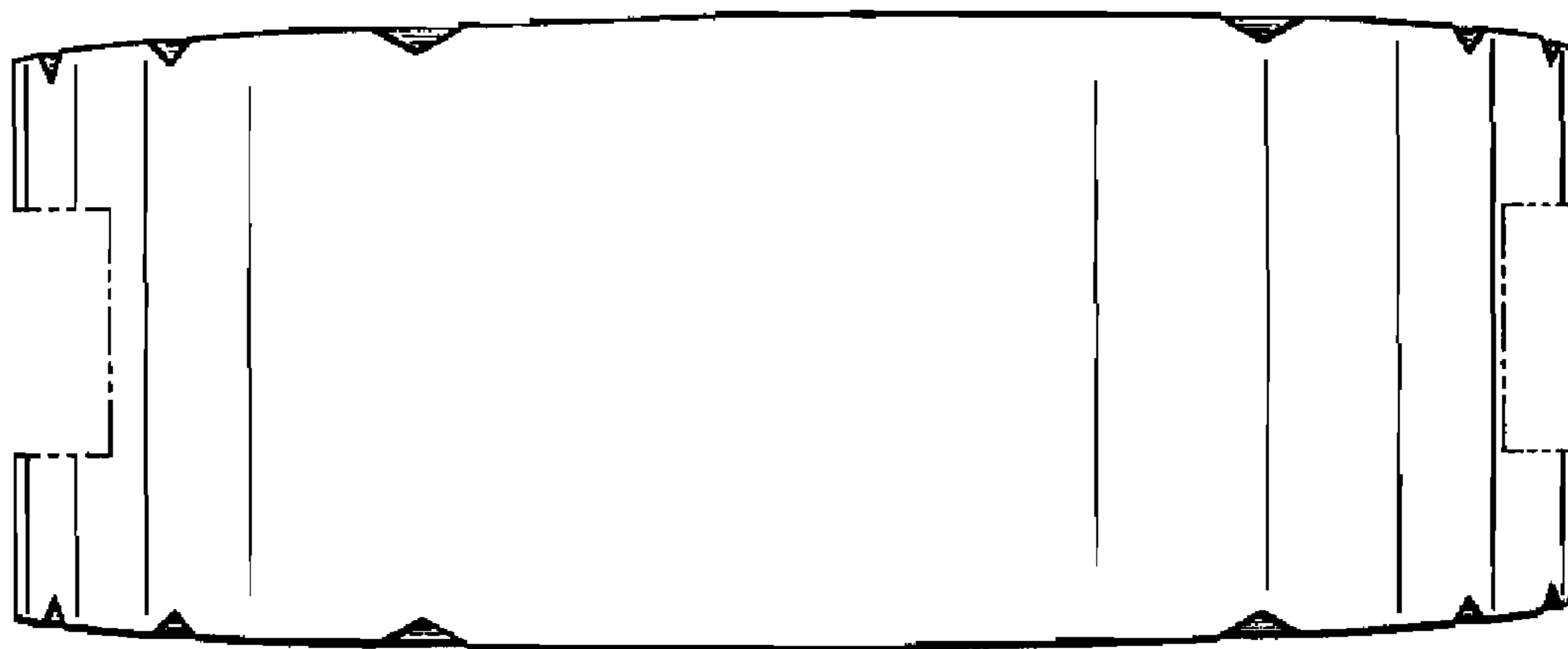


FIG. 5

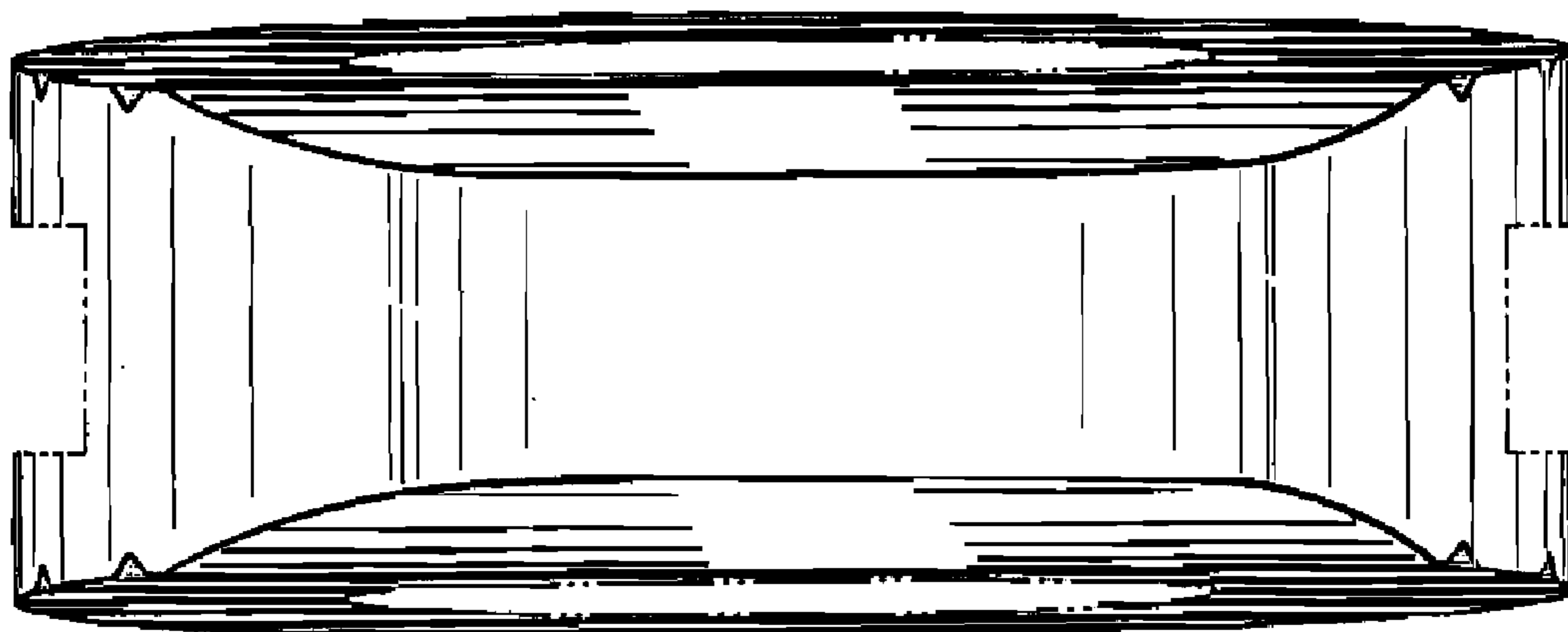


FIG. 6