



US00D580548S

(12) **United States Design Patent**
Mouret

(10) **Patent No.:** **US D580,548 S**
(45) **Date of Patent:** **** Nov. 11, 2008**

(54) **MEDICAL INSTRUMENT**

(75) Inventor: **Philippe Mouret**, Sainte Euphemie (FR)

(73) Assignee: **Karl Storz GmbH & Co. KG** (DE)

(**) Term: **14 Years**

(21) Appl. No.: **29/277,896**

(22) Filed: **Mar. 13, 2007**

(30) **Foreign Application Priority Data**

Sep. 13, 2006 (EM) 000587639

(51) **LOC (8) Cl.** **24-02**

(52) **U.S. Cl.** **D24/133; D24/138; D24/146**

(58) **Field of Classification Search** D24/133,
D24/143, 146, 147, 144, 148, 145, 138; 606/167,
606/184, 205-208, 139

See application file for complete search history.

(56) **References Cited**

U.S. PATENT DOCUMENTS

D366,525 S * 1/1996 Toy et al. D24/143
D370,064 S * 5/1996 Livneh D24/146
6,139,563 A * 10/2000 Cosgrove et al. 606/205
6,340,365 B2 * 1/2002 Dittrich et al. 606/205

D541,416 S * 4/2007 Baehr et al. D24/133
D557,415 S * 12/2007 Bacher D24/133
2004/0225323 A1 * 11/2004 Nagase et al. 606/205
2007/0299469 A1 * 12/2007 Carpenter et al. 606/205

* cited by examiner

Primary Examiner—Ian Simmons

Assistant Examiner—Christopher Lee

(74) *Attorney, Agent, or Firm*—St. Onge Steward Johnston & Reens LLC

(57) **CLAIM**

The ornamental design for a medical instrument, as shown and described.

DESCRIPTION

FIG. 1 is a front perspective view of a medical instrument in accordance with the new design;

FIG. 2 is a front view thereof;

FIG. 3 is a back view thereof;

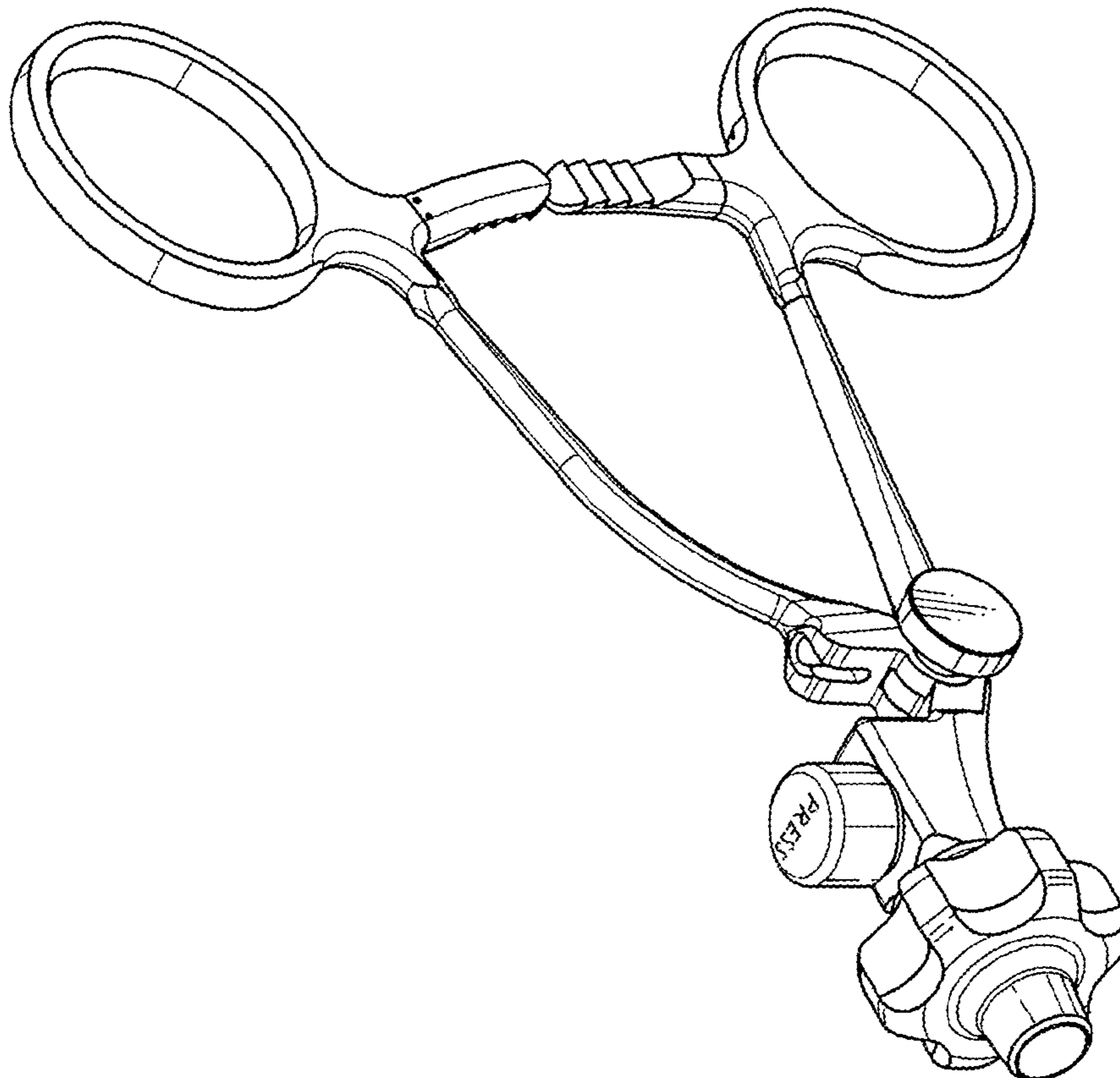
FIG. 4 is a left side view thereof;

FIG. 5 is a right side view thereof;

FIG. 6 is a top view thereof; and,

FIG. 7 is a bottom view thereof.

1 Claim, 7 Drawing Sheets



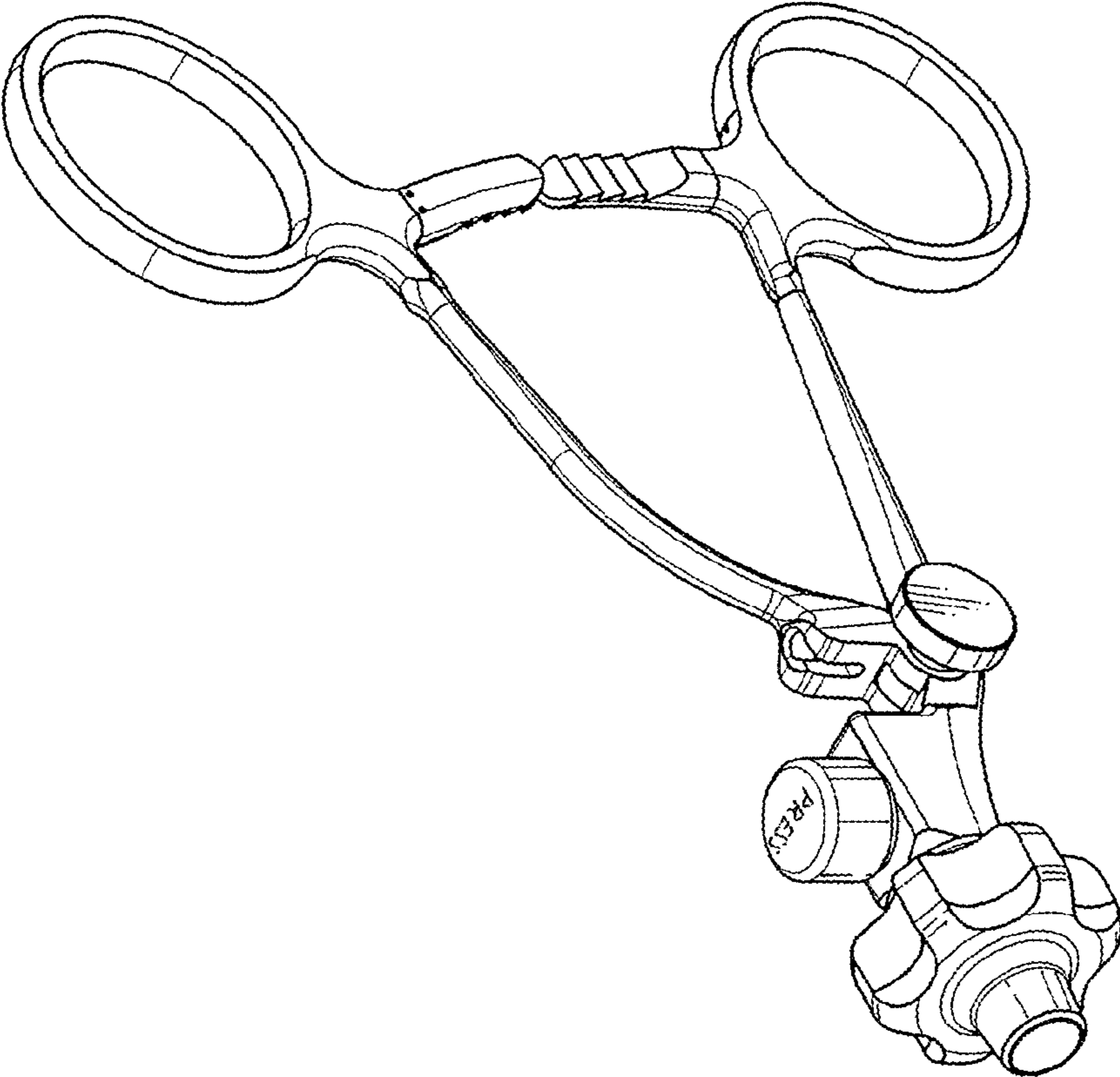


FIG. 1

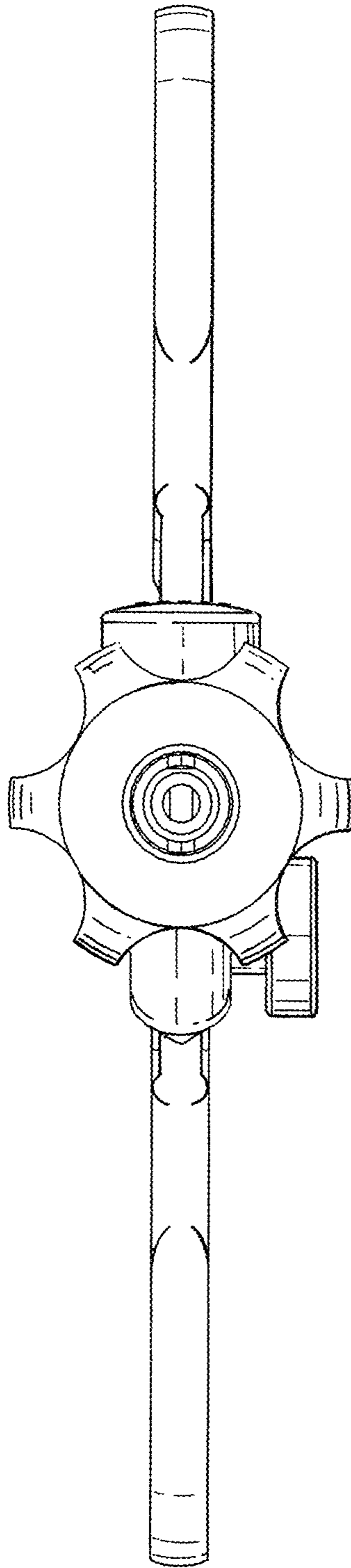


FIG. 2

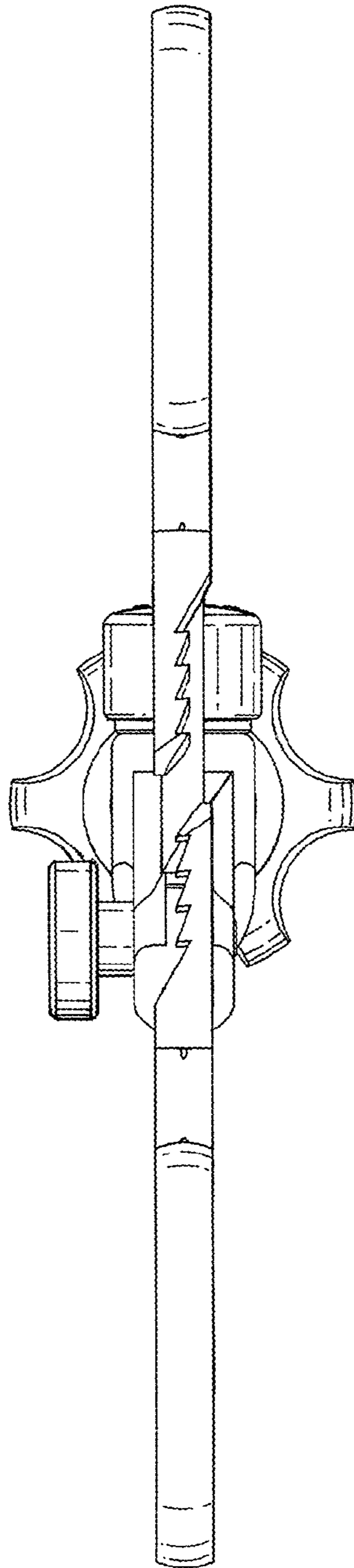


FIG. 3

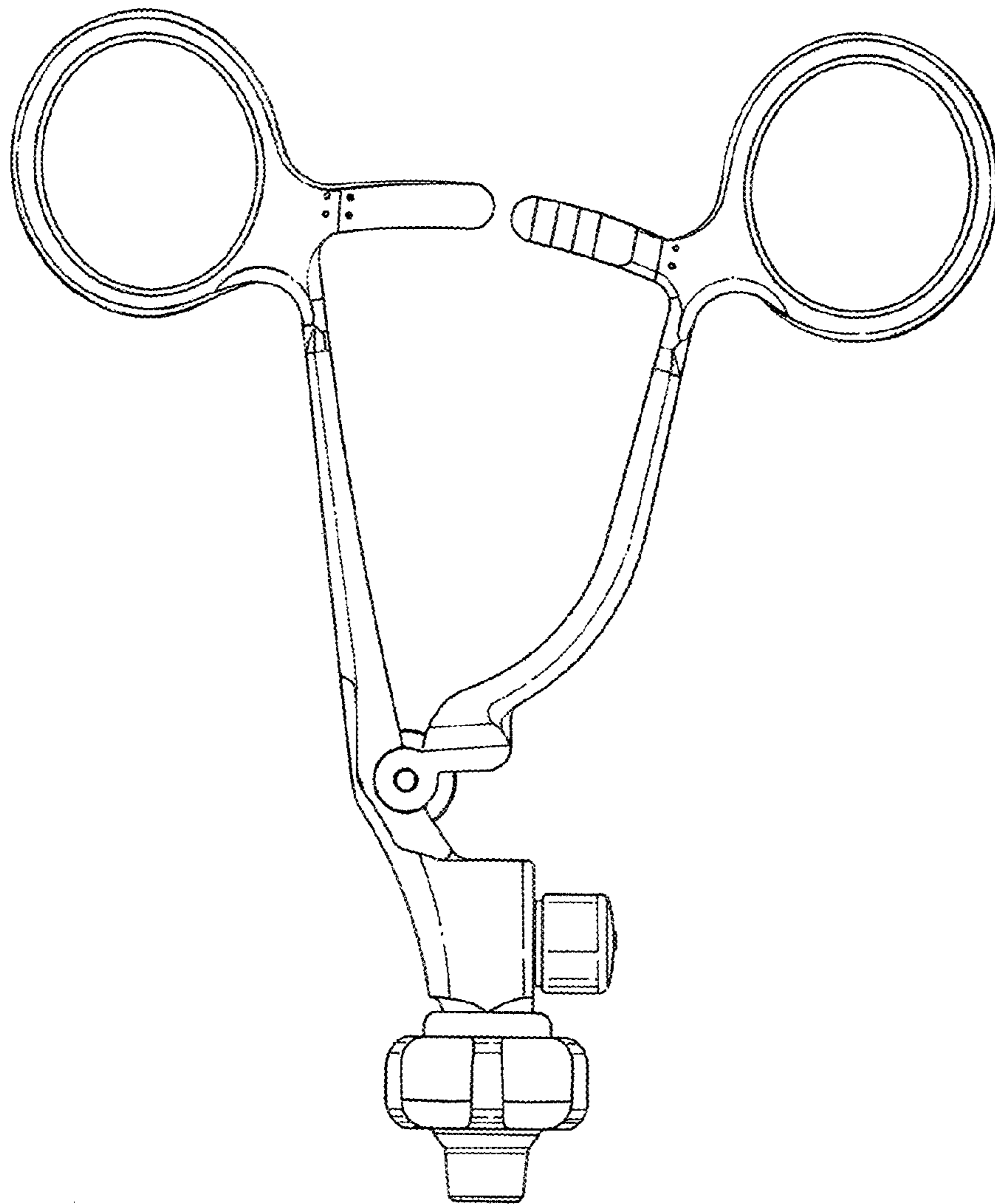


FIG. 4

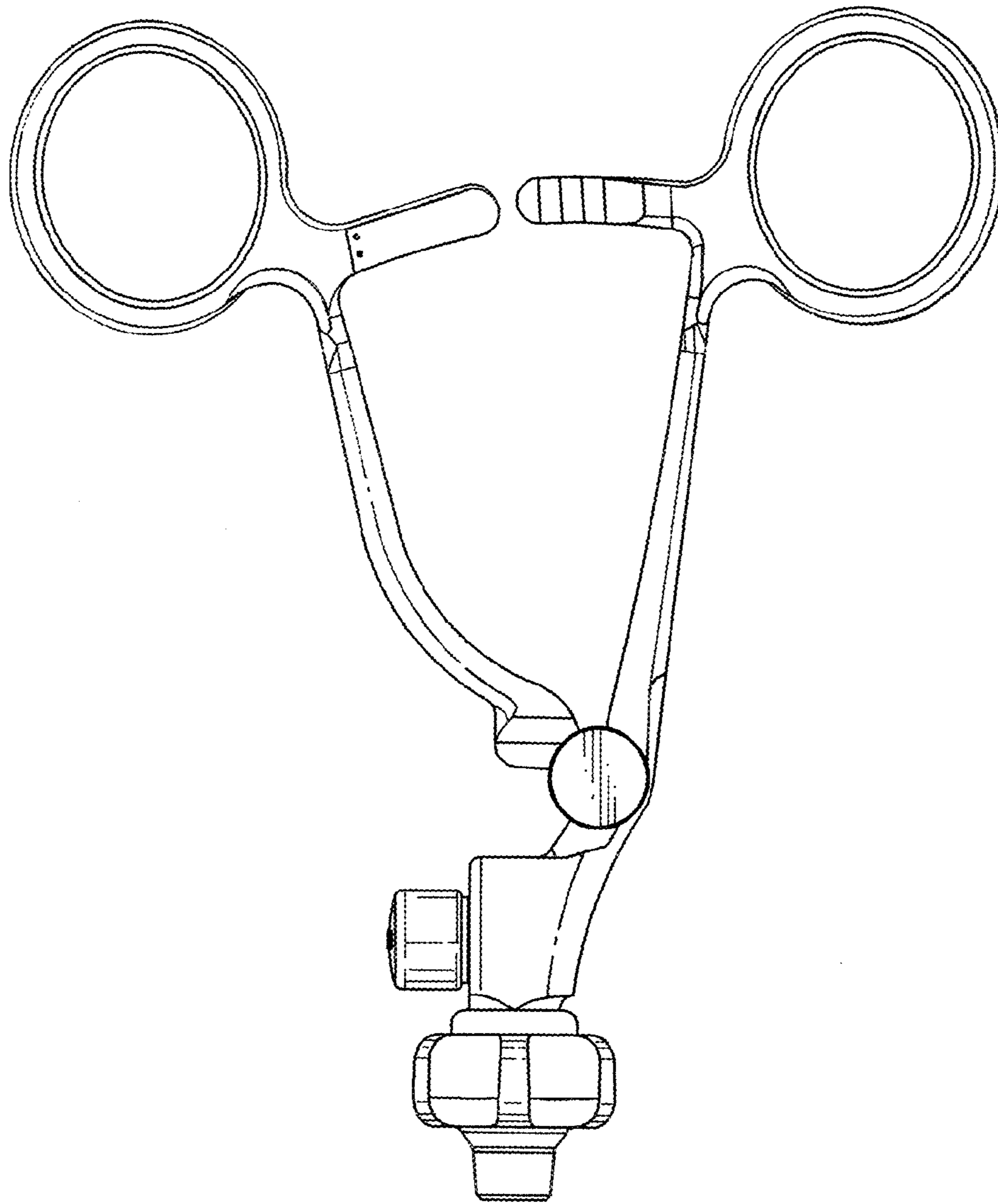


FIG. 5

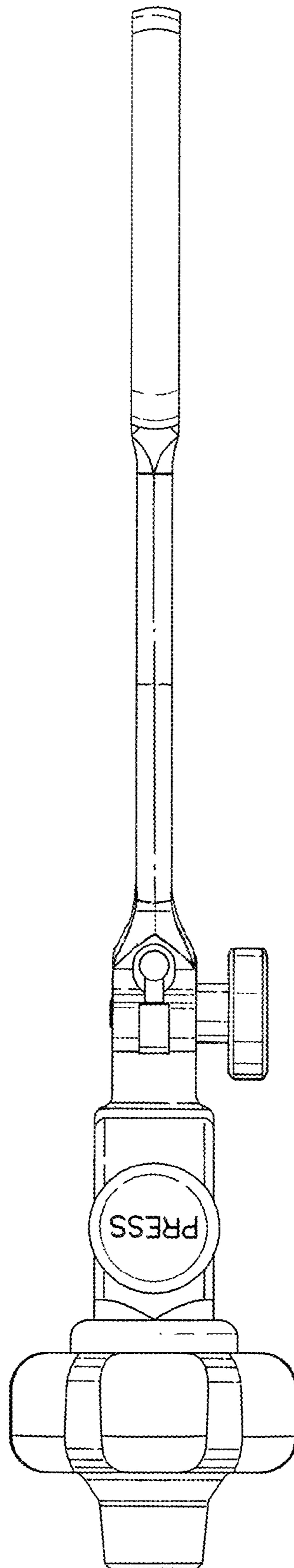


FIG. 6

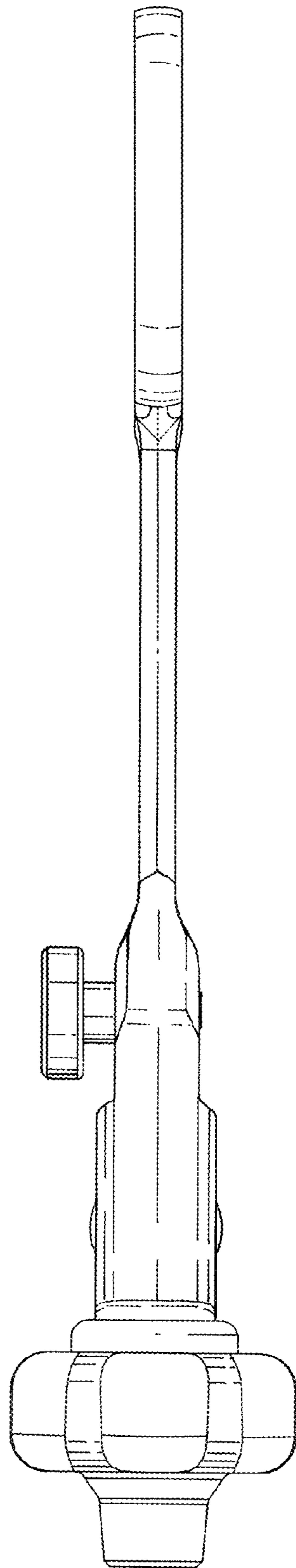


FIG. 7