



US00D580543S

(12) **United States Design Patent**
Crook

(10) **Patent No.:** **US D580,543 S**

(45) **Date of Patent:** **** Nov. 11, 2008**

(54) **ELBOW FOR FLEXIBLE DUCT**

(76) Inventor: **Dale J. Crook**, 13745 W. 121st Ter.,
Olathe, KS (US) 66062

(**) Term: **14 Years**

(21) Appl. No.: **29/295,057**

(22) Filed: **Sep. 20, 2007**

(51) **LOC (8) Cl.** **23-04**

(52) **U.S. Cl.** **D23/393**

(58) **Field of Classification Search** D23/393,
D23/386, 370, 373, 394, 259, 262-266; 454/903,
454/907, 292; 285/24, 179, 180, 61; D8/349,
D8/354, 356; 248/57, 58, 65, 351, 75, 89;
D13/155; 138/106, 107, 147, 110; D12/223,
D12/202; 425/392

See application file for complete search history.

(56) **References Cited**

U.S. PATENT DOCUMENTS

D25,203 S *	2/1896	Brown	D8/354
568,537 A	9/1896	Laubsch		
665,171 A *	1/1901	Brownfield	248/351
953,707 A *	4/1910	Pearce	285/179
1,891,874 A	12/1932	Elkins		
1,933,919 A *	11/1933	McPherson	248/75
2,172,130 A	9/1939	Powell		
2,218,759 A	10/1940	Lineman		
2,671,626 A *	3/1954	Schmadeke	248/75
2,704,556 A	3/1955	Blish		
3,179,442 A	4/1965	Lofgren		
3,810,490 A	5/1974	Ludwick		
3,813,733 A	6/1974	Flohr		
3,836,750 A	9/1974	Caruso		
3,897,923 A *	8/1975	Paepke et al.	248/75
3,929,164 A	12/1975	Richter		
3,941,412 A *	3/1976	Carpenter	248/75
4,068,824 A *	1/1978	Flynn	248/75
4,093,282 A	6/1978	Kyriakodis		
4,151,864 A *	5/1979	Thurman	138/106
4,158,462 A	6/1979	Coral		
D264,120 S *	4/1982	Karakawa	D23/386
4,456,034 A	6/1984	Bixby		
4,457,543 A	7/1984	Justus		
4,669,508 A	6/1987	Neaves		
4,699,046 A	10/1987	Bellieni		

4,733,889 A *	3/1988	Haines	285/179
4,795,197 A	1/1989	Kaminski		
4,966,202 A	10/1990	Bryan et al.		
D345,336 S *	3/1994	Pigott, Jr.	D12/202
D346,546 S *	5/1994	Tesmar, Jr.	D8/356
5,368,337 A	11/1994	Torres		
5,497,809 A	3/1996	Wolf		
5,749,602 A	5/1998	Delaney et al.		
5,894,866 A	4/1999	Horst et al.		
5,989,006 A	11/1999	Godeau		
6,139,068 A	10/2000	Burress et al.		
6,354,937 B1 *	3/2002	Crook	454/292
D462,603 S *	9/2002	Wright et al.	D8/356
2003/0080553 A1	5/2003	Wieder et al.		
2004/0169113 A1 *	9/2004	Lussier	248/58

* cited by examiner

Primary Examiner—Louis S Zarfaz

Assistant Examiner—David G Muller

(74) *Attorney, Agent, or Firm*—Mark E. Brown

(57) **CLAIM**

The ornamental design for an elbow for flexible duct, as shown and described.

DESCRIPTION

FIG. 1 is a perspective view of an elbow for flexible duct showing my new design;

FIG. 2 is a left side elevational view thereof, the right side is a mirror image thereof;

FIG. 3 is a front elevational view thereof; the top is a mirror image thereof;

FIG. 4 is a back elevational view thereof; the bottom is a mirror image thereof;

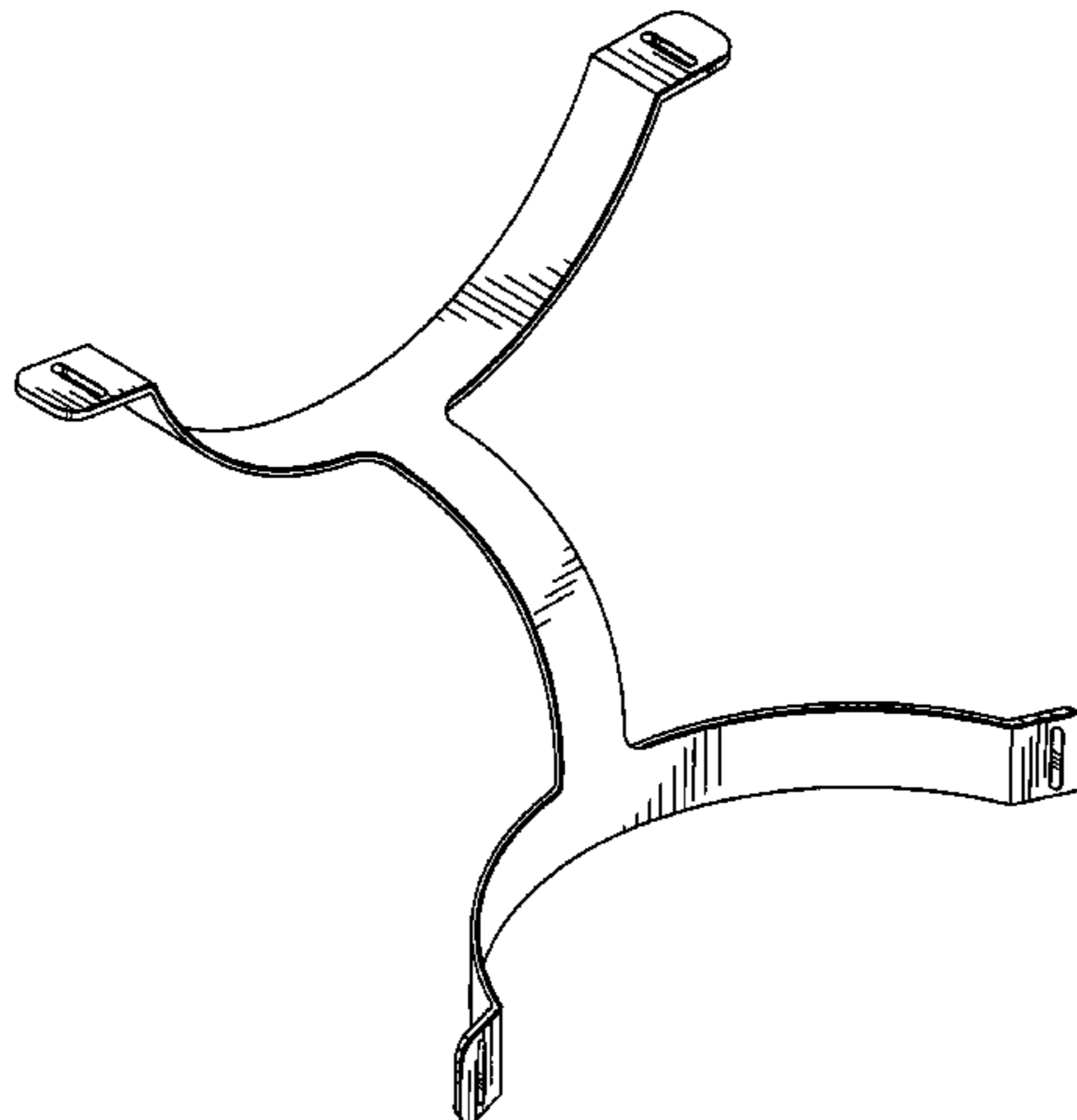
FIG. 5 is a left side elevational view thereof; the right side is a mirror image thereof;

FIG. 6 is a front elevational view thereof; the top is a mirror image thereof; and,

FIG. 7 is a back elevational view thereof; the bottom is a mirror image thereof.

The broken line showing of a duct, tie strap and an air device in FIGS. 2-4 is included for the purpose of illustrating use and environment and forms no part of the claimed design.

1 Claim, 7 Drawing Sheets



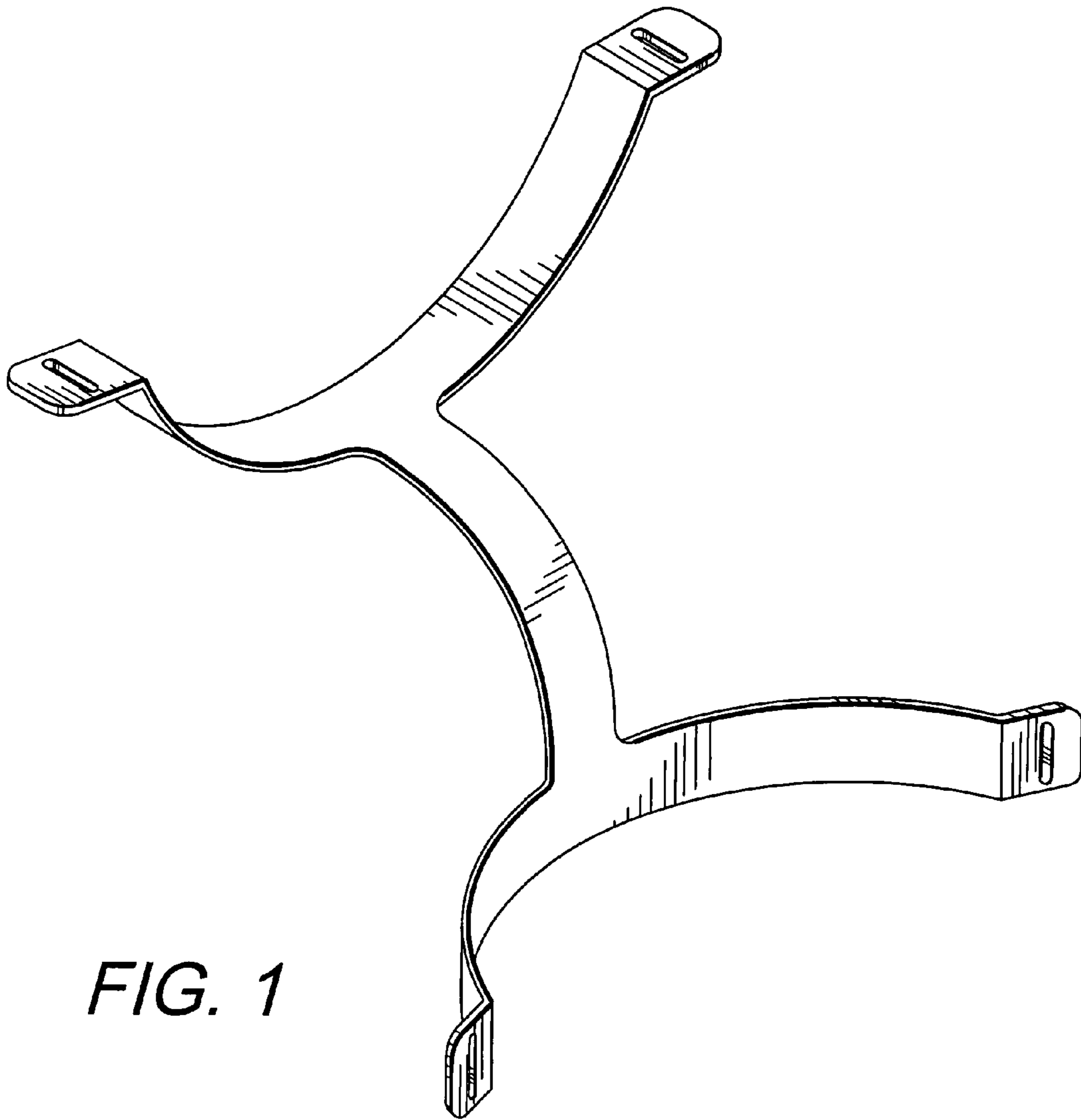


FIG. 1

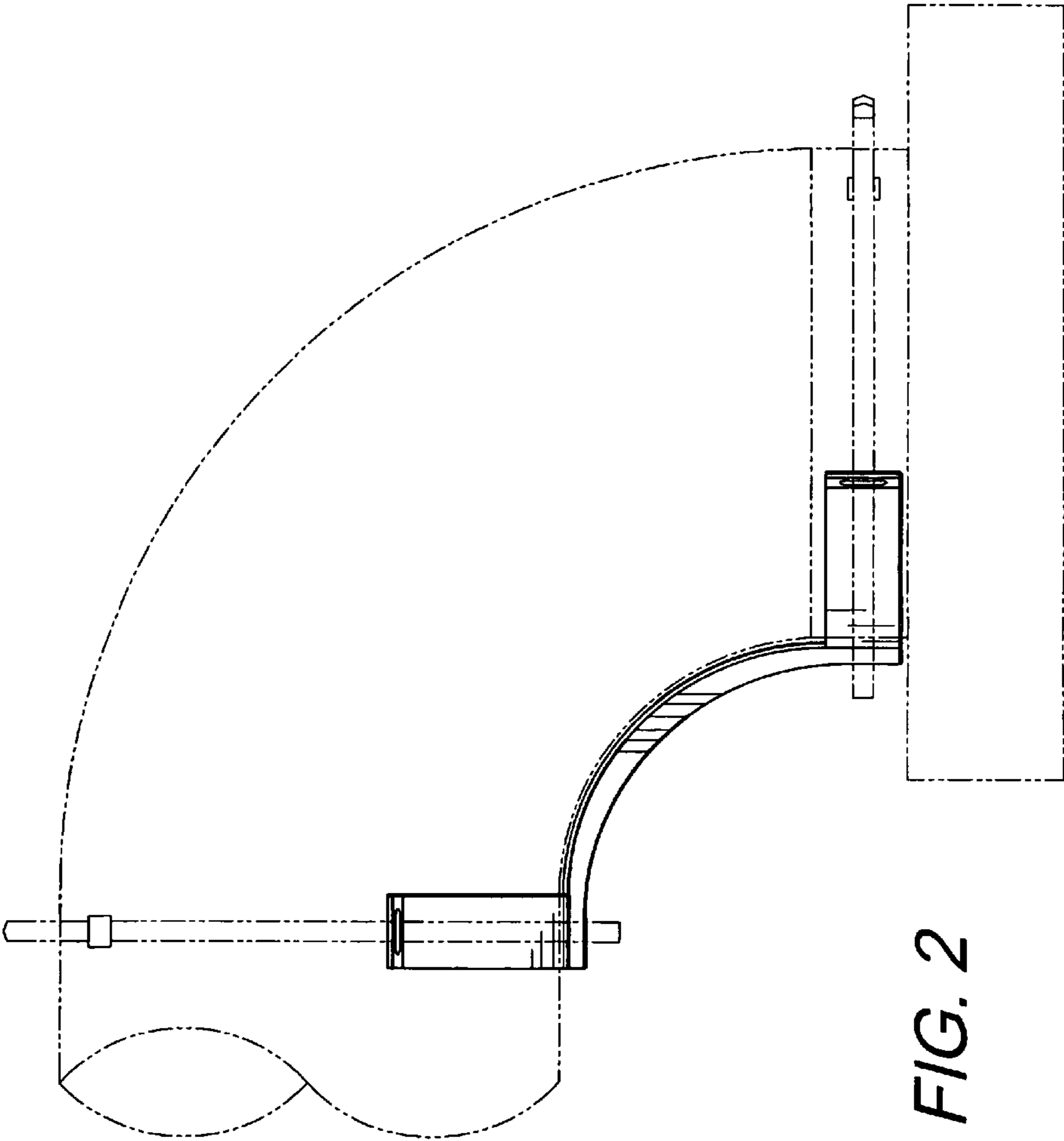


FIG. 2

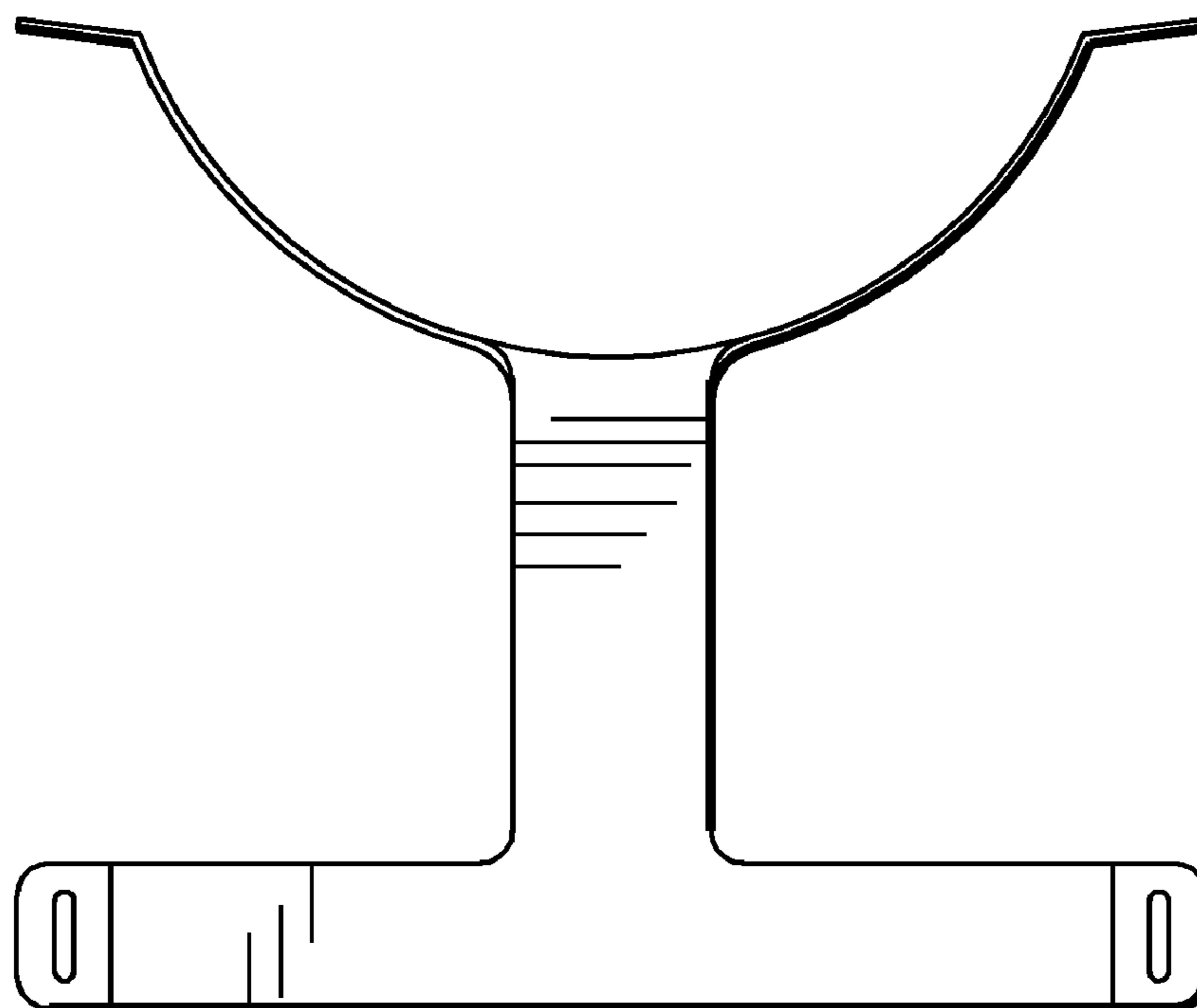


FIG. 3

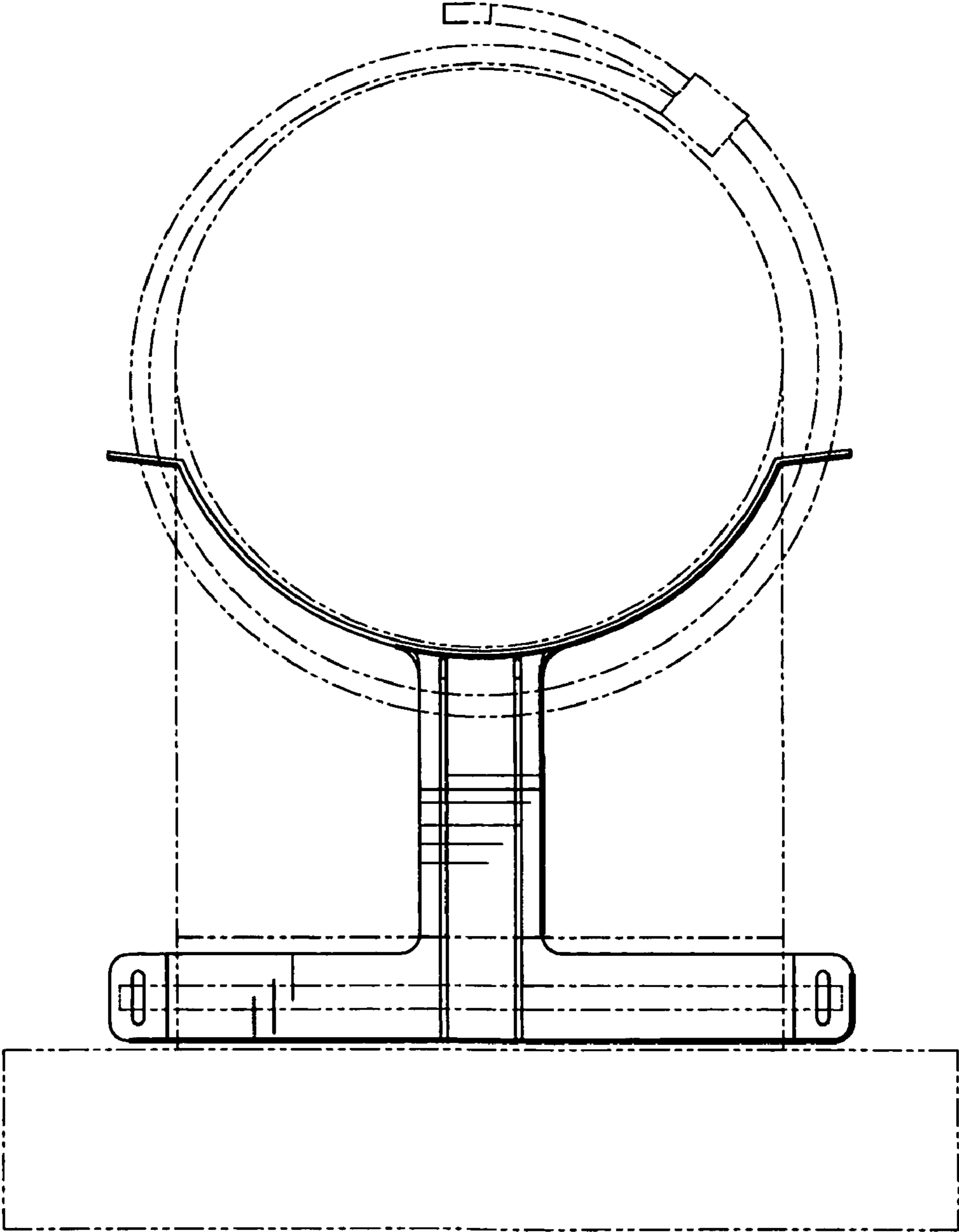


FIG. 4

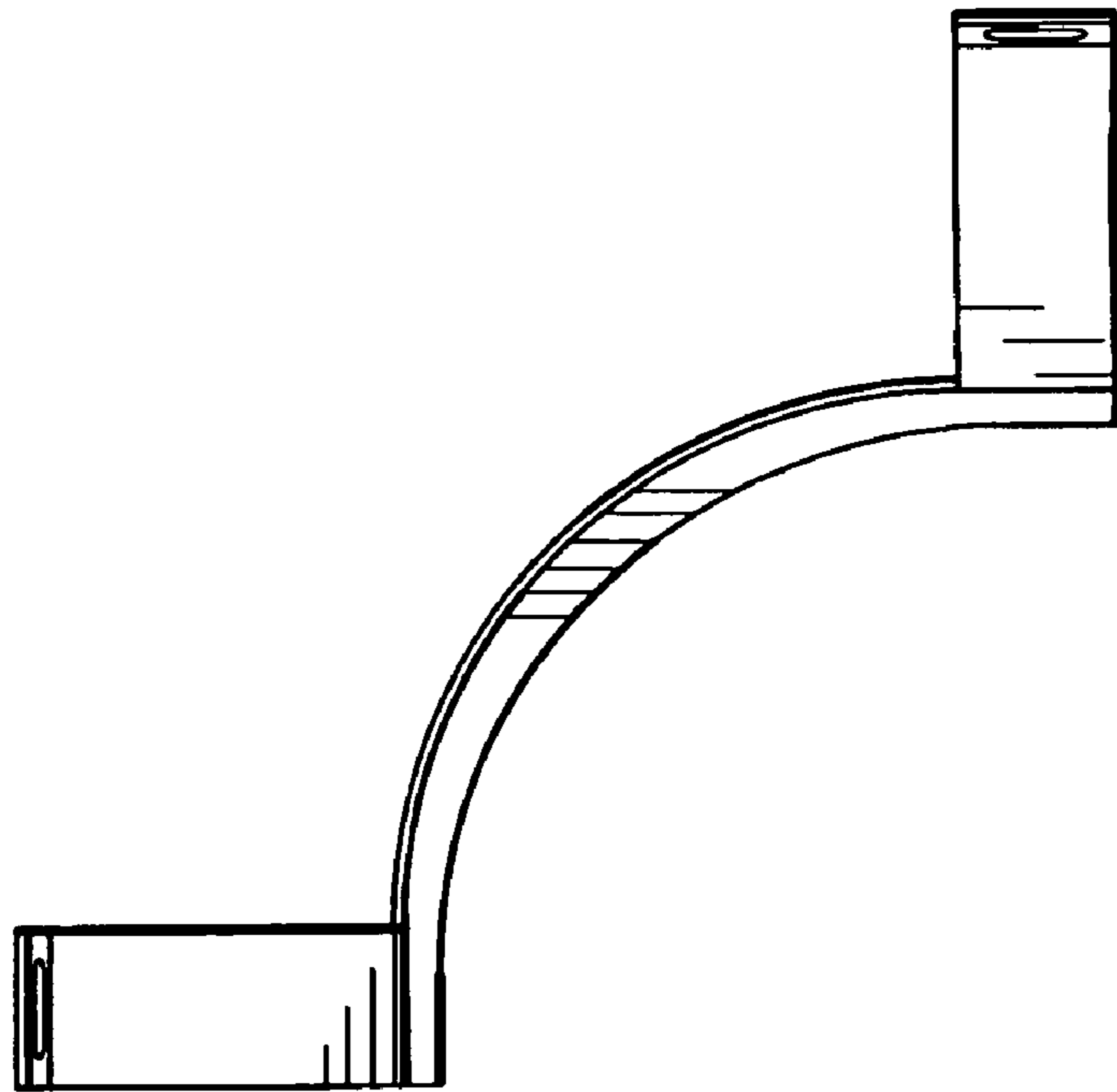


FIG. 5

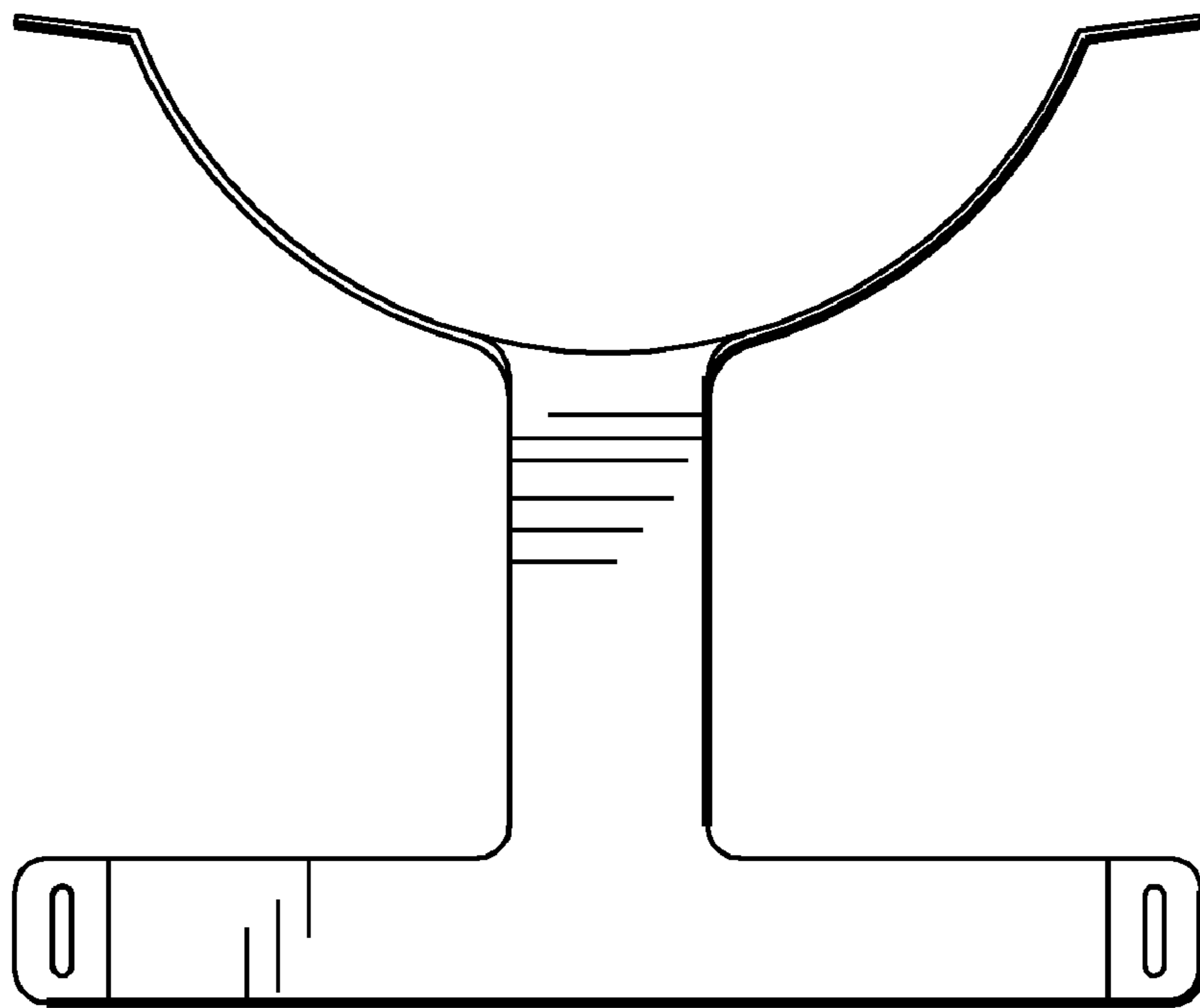


FIG. 6

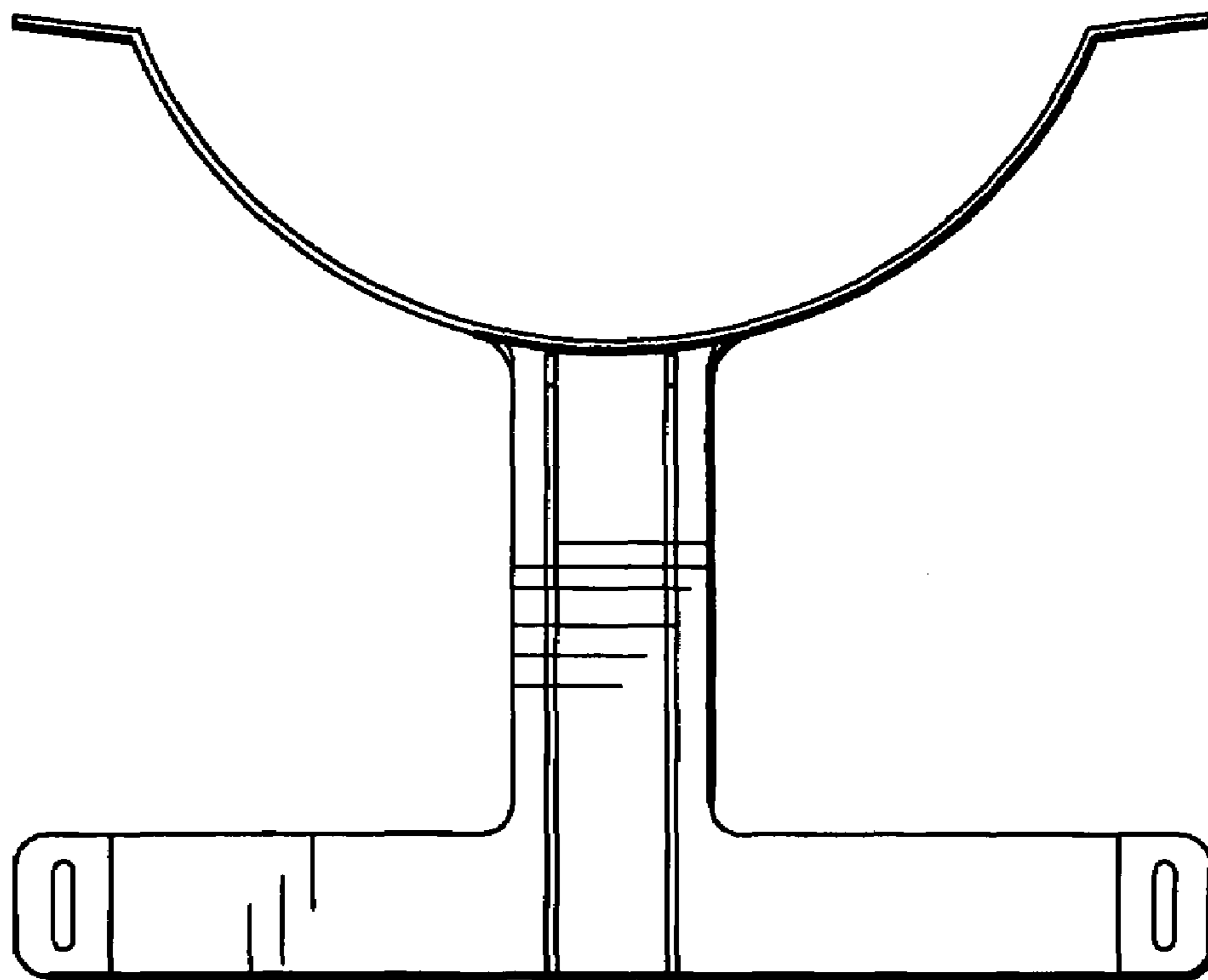


FIG. 7