



US00D580542S

(12) **United States Design Patent**
Miyake et al.

(10) **Patent No.:** **US D580,542 S**
(45) **Date of Patent:** **** Nov. 11, 2008**

(54) **CEILING VENTILATING FAN**
(75) Inventors: **Hiroshi Miyake**, Kadoma (JP);
Nobuyuki Mase, Kadoma (JP)
(73) Assignee: **Panasonic Corporation**, Osaka (JP)
(**) Term: **14 Years**
(21) Appl. No.: **29/304,145**
(22) Filed: **Feb. 26, 2008**

JP D888841 1/1994
JP D891272 2/1994
JP D891273 2/1994
JP D1058257 1/2000
JP D1125084 10/2001

(30) **Foreign Application Priority Data**
Feb. 4, 2008 (JP) 2008-002333
(51) **LOC (8) Cl.** **23-04**
(52) **U.S. Cl.** **D23/385**
(58) **Field of Classification Search** D23/385,
D23/371, 370; 454/349, 354; D26/59, 72,
D26/51, 81-88
See application file for complete search history.

OTHER PUBLICATIONS
JPO Design Prior Art No. HC17047550, "2005 General catalog for home ventilators May 2001", Oct. 28, 2005.

* cited by examiner

Primary Examiner—Lisa P Lichtenstein
(74) *Attorney, Agent, or Firm*—Brinks Hofer Gilson & Lione

(56) **References Cited**
U.S. PATENT DOCUMENTS
D387,859 S * 12/1997 Ukai et al. D23/371
D401,682 S * 11/1998 Galeazzi et al. D23/351
D426,292 S * 6/2000 Nanjo D23/351
D452,906 S * 1/2002 Peng D23/370
D543,270 S * 5/2007 Miura et al. D23/385

(57) **CLAIM**
We claim the ornamental design for a ceiling ventilating fan, as shown and described.

FOREIGN PATENT DOCUMENTS
JP D768670 8/1989
JP D854893 12/1992

DESCRIPTION
FIG. 1 is a front perspective view of a ceiling ventilating fan of the present invention;
FIG. 2 is a front view thereof;
FIG. 3 is a top view thereof;
FIG. 4 is a bottom view thereof;
FIG. 5 is a first side view thereof;
FIG. 6 is a second side view thereof; and,
FIG. 7 is a rear view thereof.
The broken line showing of the body of the ceiling ventilating fan is included for the purpose of illustrating environmental structure and forms no part of the claimed design.

1 Claim, 3 Drawing Sheets

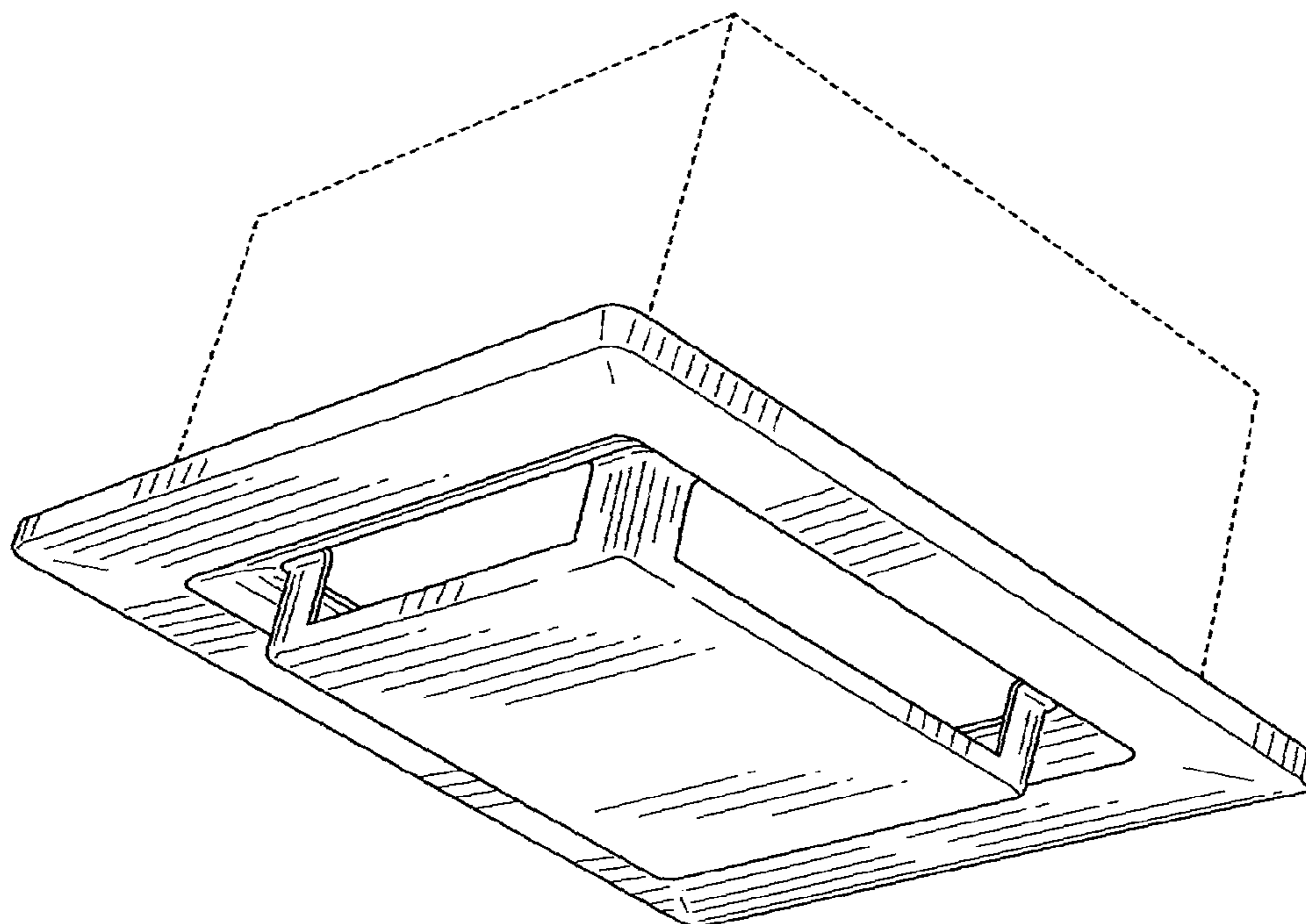


FIG.1

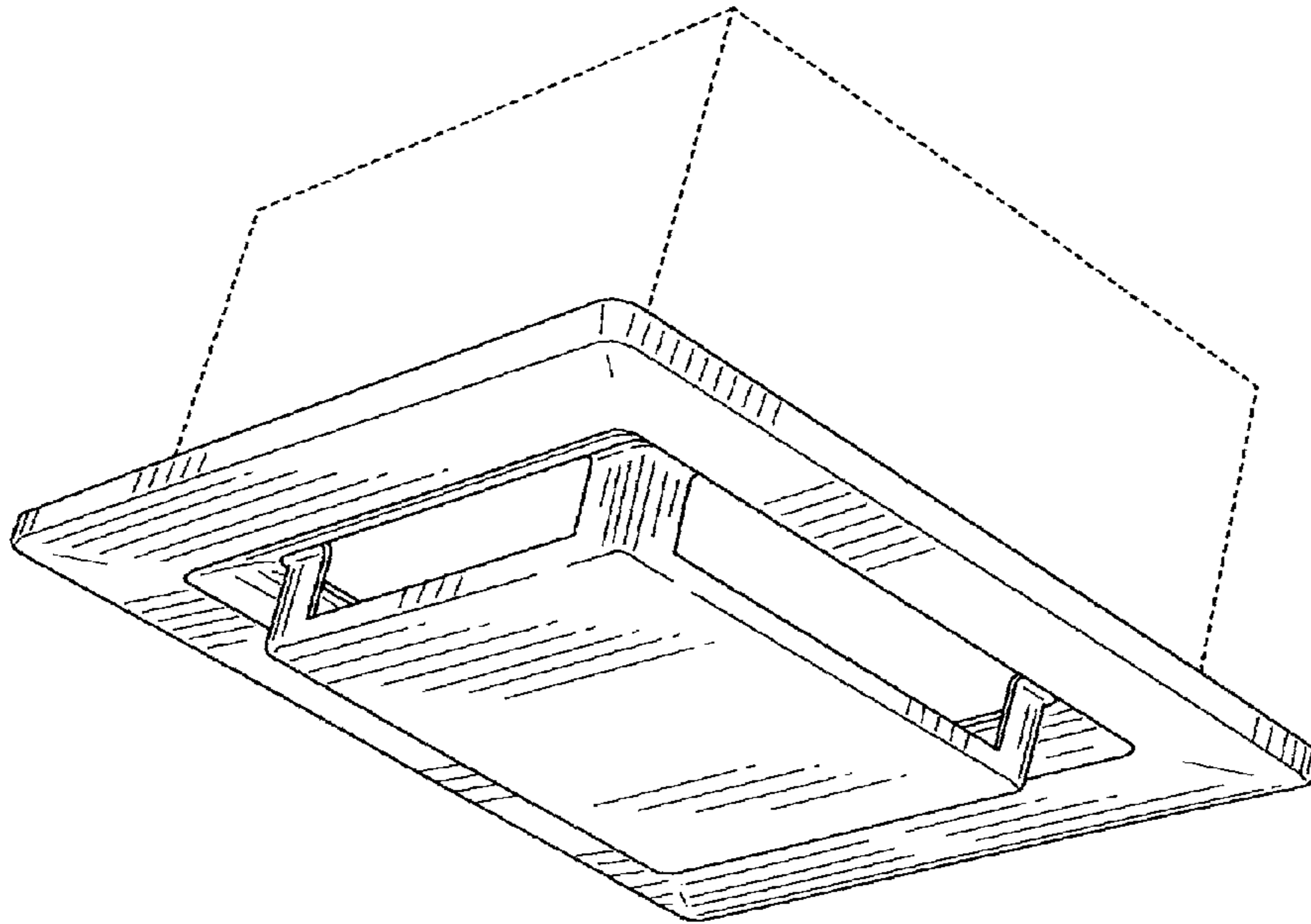


FIG.2

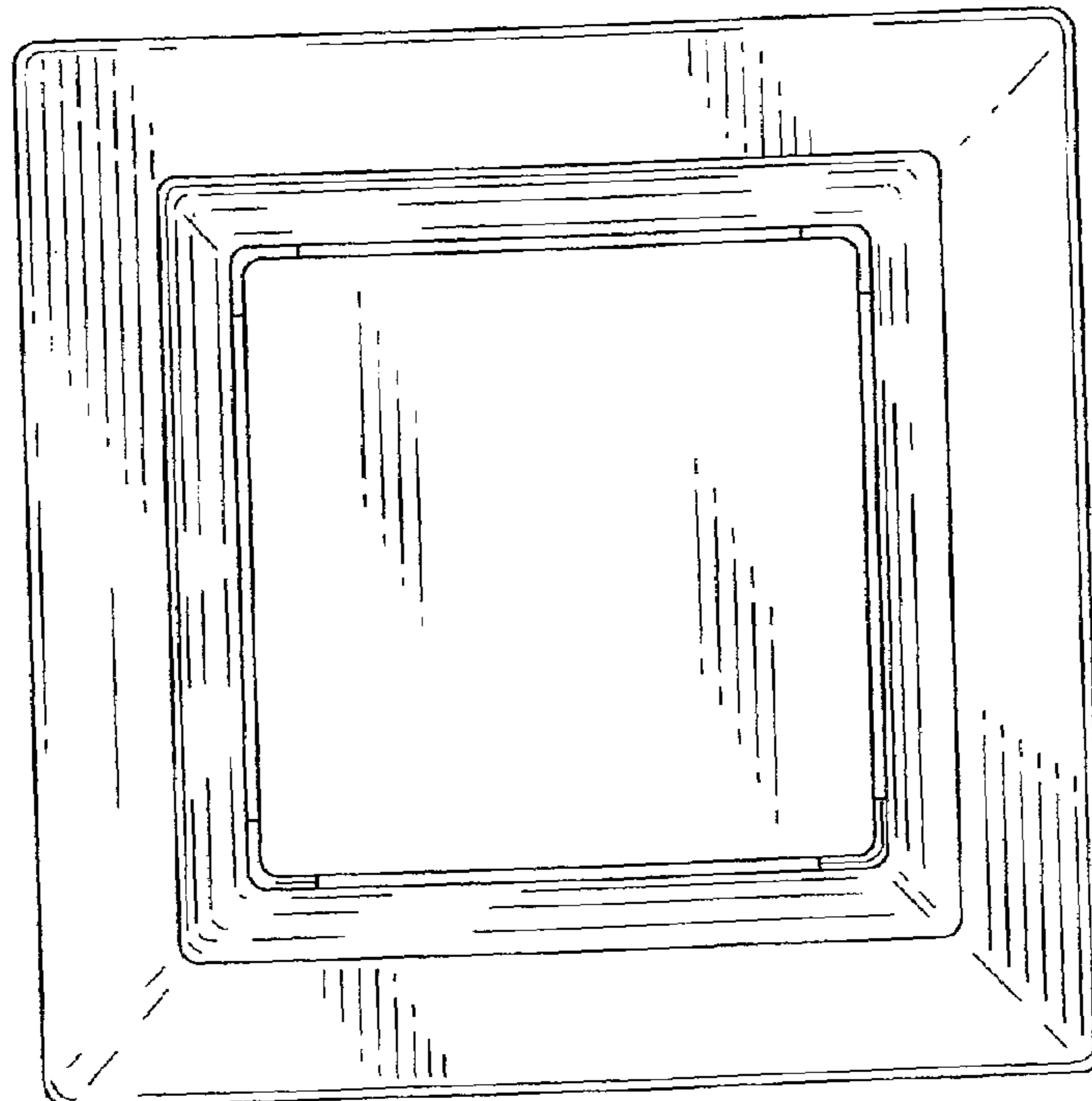


FIG.3

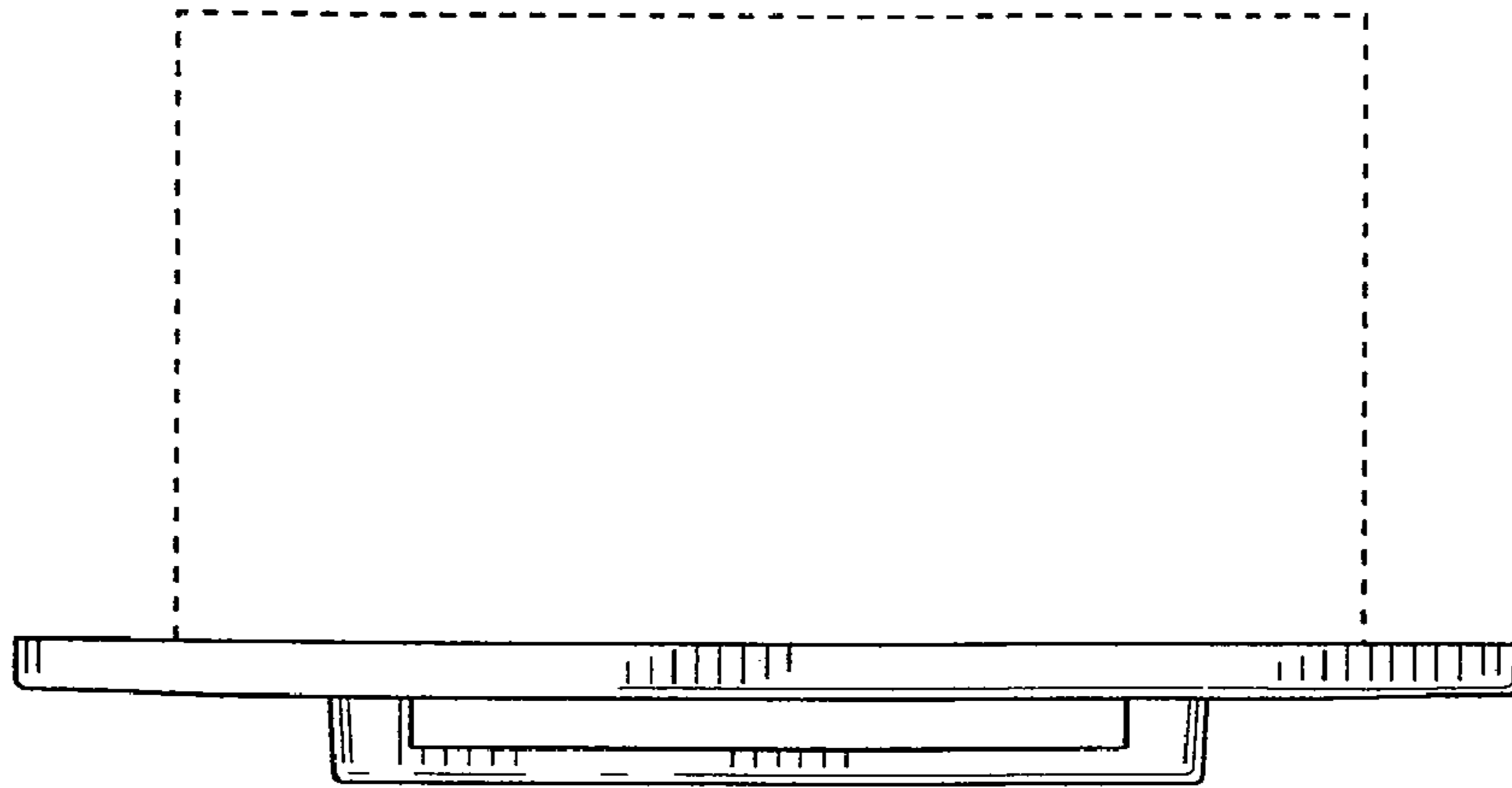


FIG.4

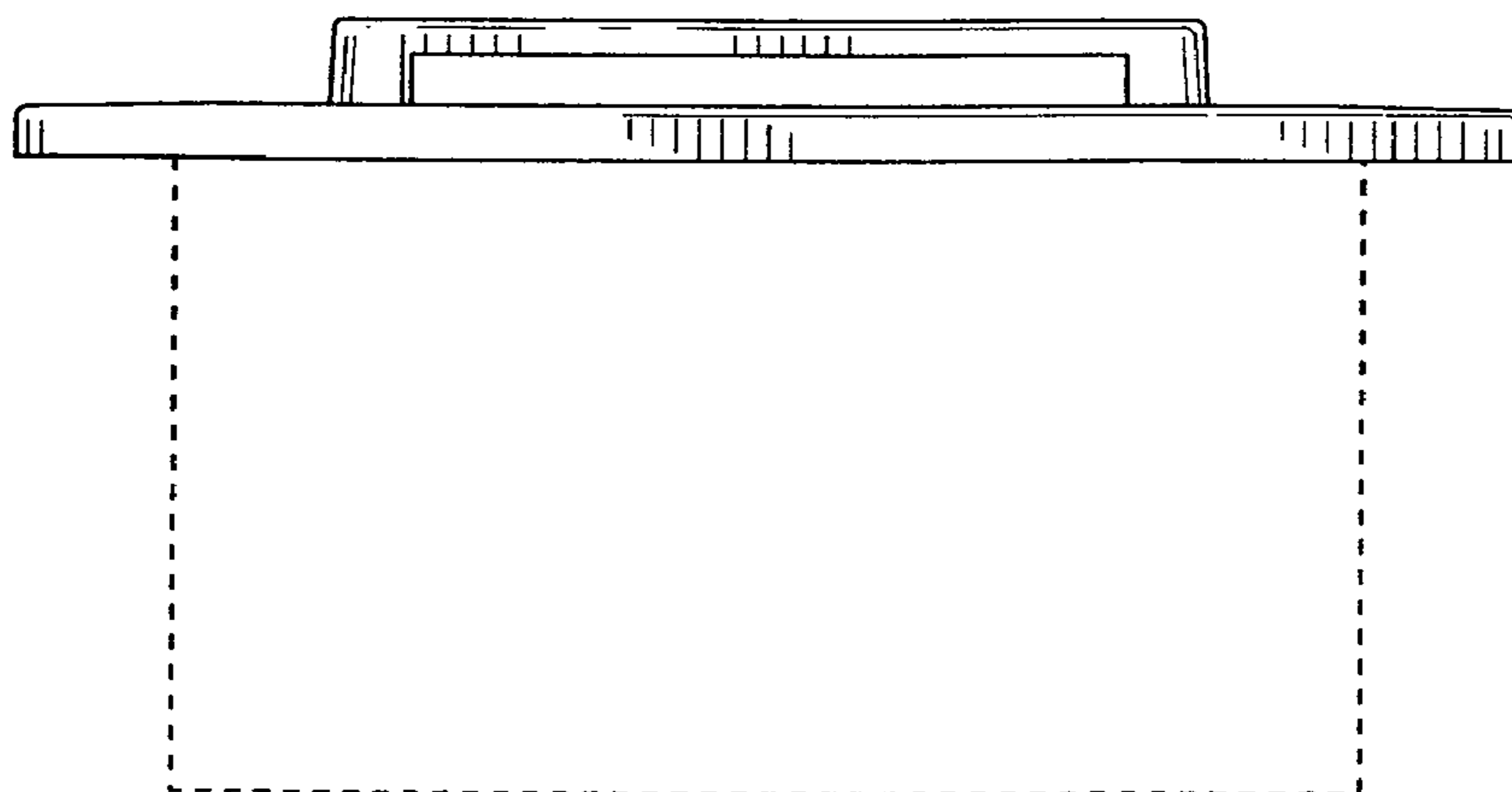


FIG.5

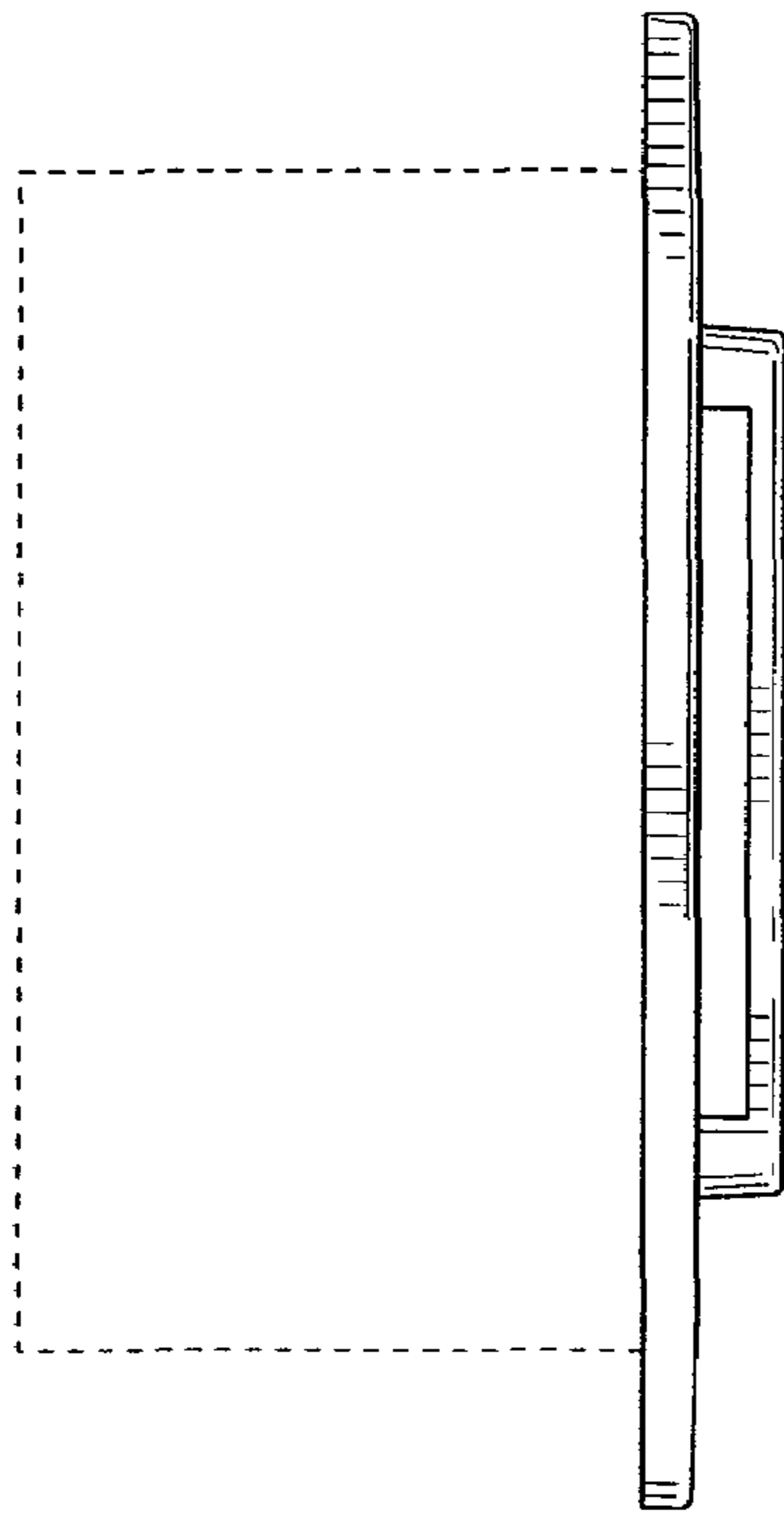


FIG.6

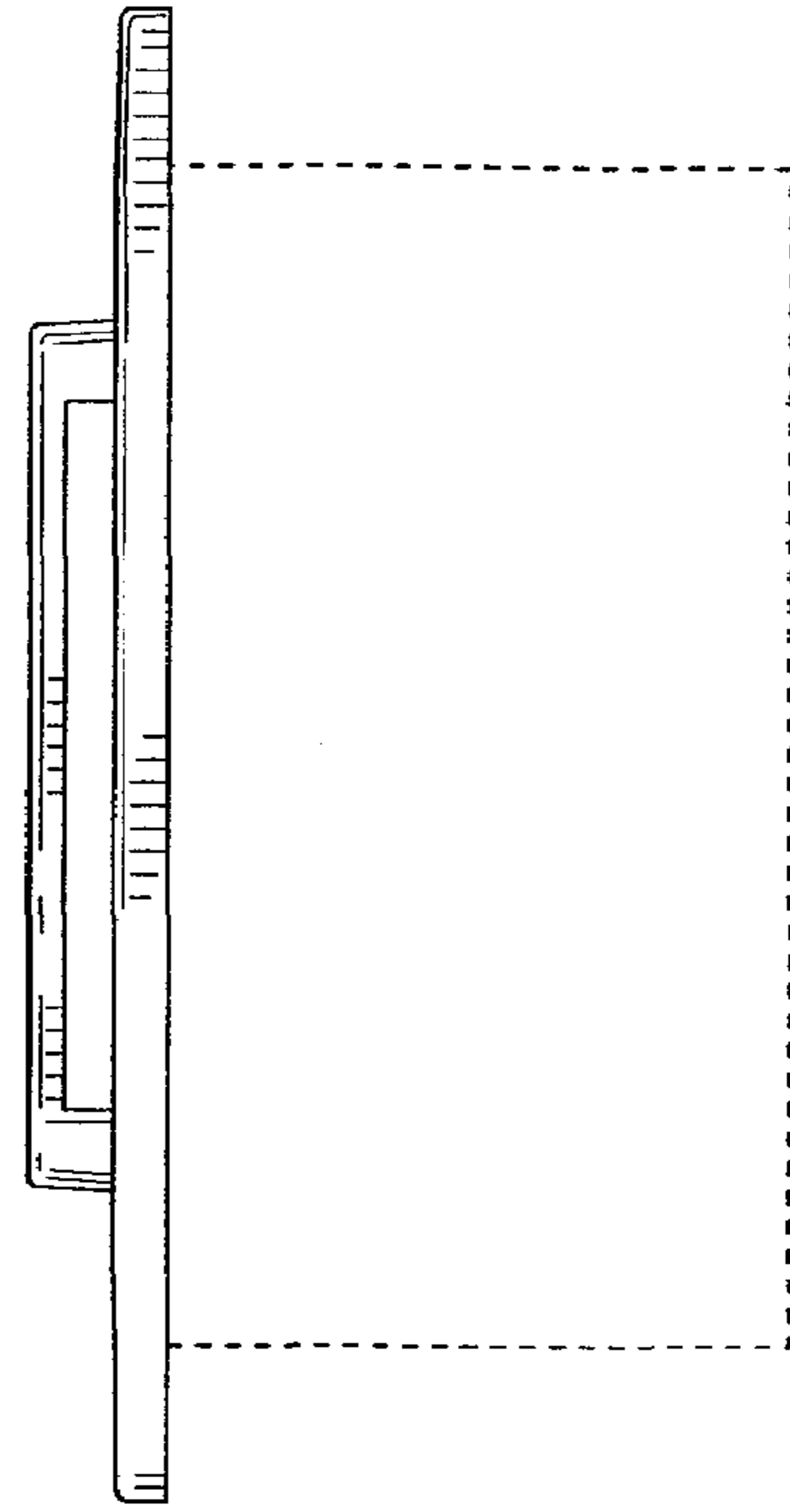


FIG.7

