



US00D580539S

(12) **United States Design Patent**
Rittri et al.

(10) **Patent No.:** **US D580,539 S**

(45) **Date of Patent:** **** Nov. 11, 2008**

(54) **AIR PURIFIER**

(75) Inventors: **Bengt Rittri**, Stockholm (SE); **Johan Wennerstrom**, Sollentuna (SE)

(73) Assignee: **Blueair AB**, Stockholm (SE)

(**) Term: **14 Years**

(21) Appl. No.: **29/265,780**

(22) Filed: **Sep. 8, 2006**

(51) **LOC (8) Cl.** **23-04**

(52) **U.S. Cl.** **D23/364; D23/381**

(58) **Field of Classification Search** D23/364,
D23/370-372, 379, 381, 382, 355, 356, 359,
D23/360, 362, 352, 366, 369, 332, 333, 335,
D23/336, 342, 351; 422/120, 122; 55/356,
55/473, 504; 96/97; D14/188, 170, 172;
261/DIG. 17, DIG. 65, DIG. 88, DIG. 31;
416/247 R, 142

See application file for complete search history.

(56) **References Cited**

U.S. PATENT DOCUMENTS

D274,748 S *	7/1984	Aberg	D23/371
D281,276 S *	11/1985	Farrer	D23/370
D290,872 S *	7/1987	Kouno et al.	D23/382
D300,776 S *	4/1989	Fu et al.	D23/370
D310,712 S *	9/1990	Del Fresno	D23/335
D334,056 S *	3/1993	Cook	D23/382
D339,858 S *	9/1993	Shong	D23/382

D361,832 S *	8/1995	Cunning	D23/381
D387,151 S *	12/1997	Fok	D23/381
D546,436 S *	7/2007	Chen	D23/382
D564,084 S *	3/2008	Chen	D23/382
D565,721 S *	4/2008	Chen	D23/382
D566,260 S *	4/2008	Chen	D23/382

* cited by examiner

Primary Examiner—Louis S Zarfaz

Assistant Examiner—David G Muller

(74) *Attorney, Agent, or Firm*—Chapman and Cutler LLP

(57) **CLAIM**

The ornamental design for an air purifier, as shown and described.

DESCRIPTION

FIG. 1 is a right front perspective view of the air purifier showing an embodiment of our new design;

FIG. 2 is a left rear perspective view thereof;

FIG. 3 is a rear elevation view thereof;

FIG. 4 is a front elevation view thereof;

FIG. 5 is a left side elevation view thereof;

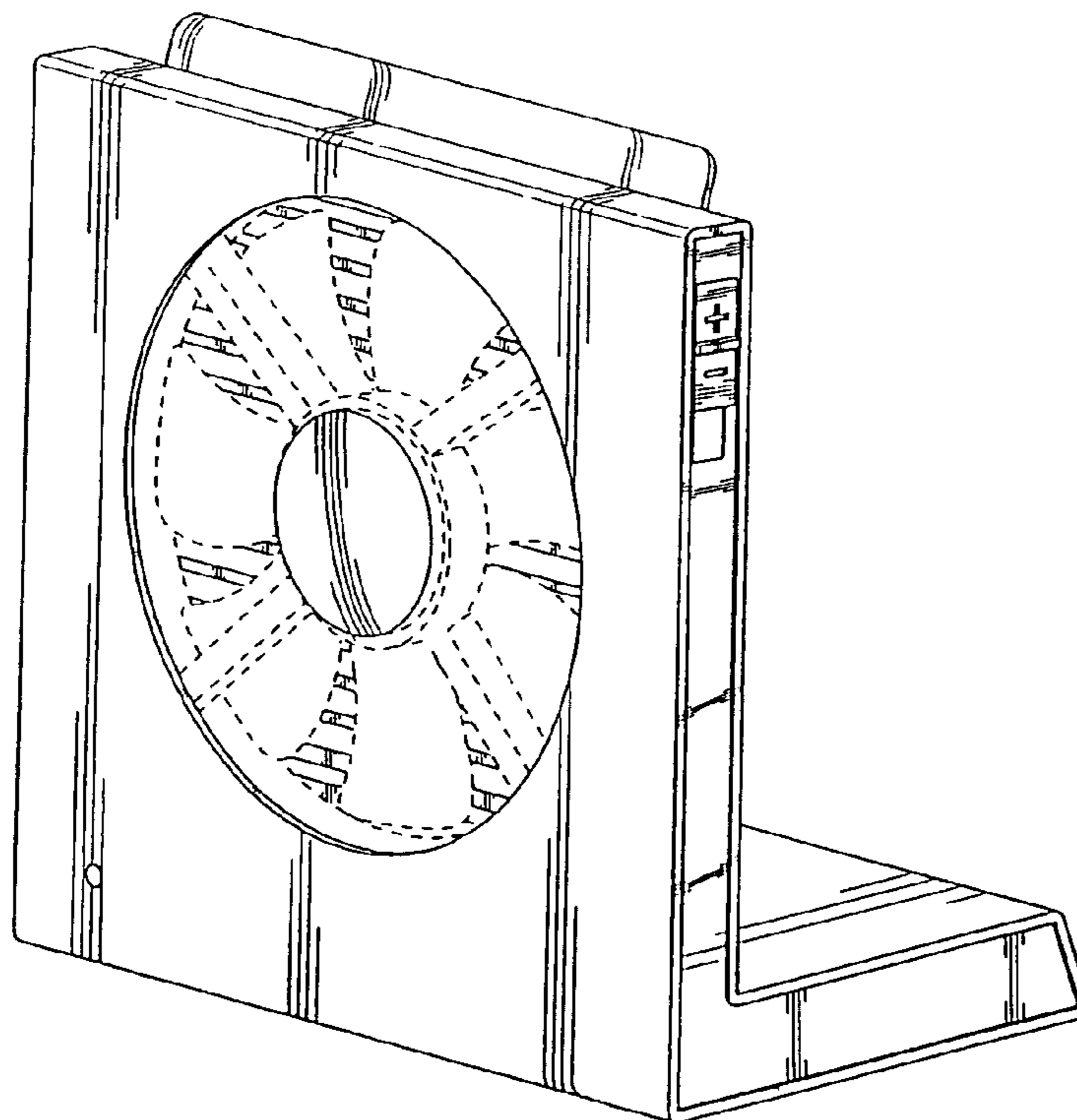
FIG. 6 is a right side elevation view thereof;

FIG. 7 is top plan view thereof; and,

FIG. 8 is a bottom plan view thereof.

The broken lines are for illustrative purposes only and form no part of the claimed design.

1 Claim, 4 Drawing Sheets



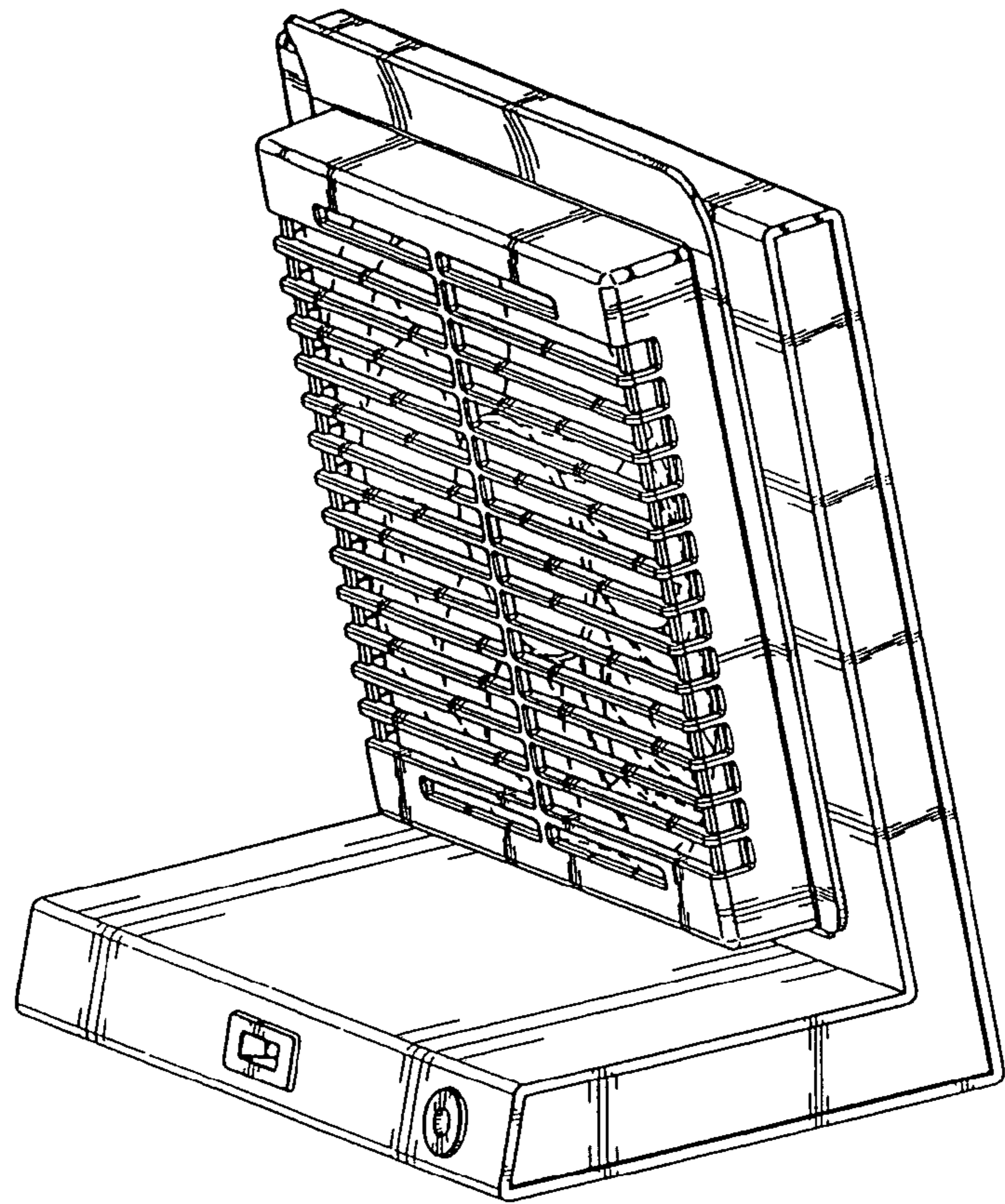


FIG. 2

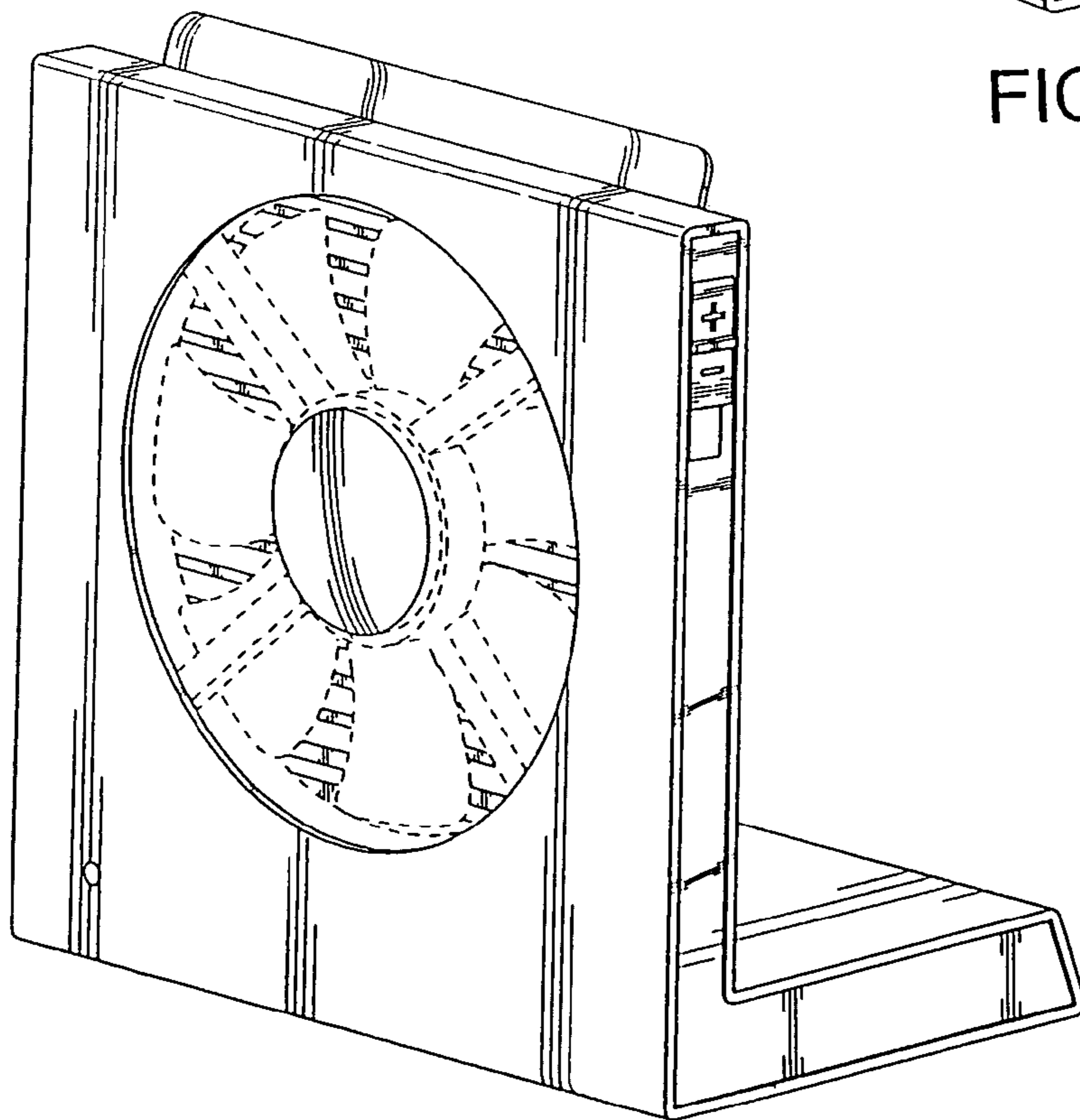


FIG. 1

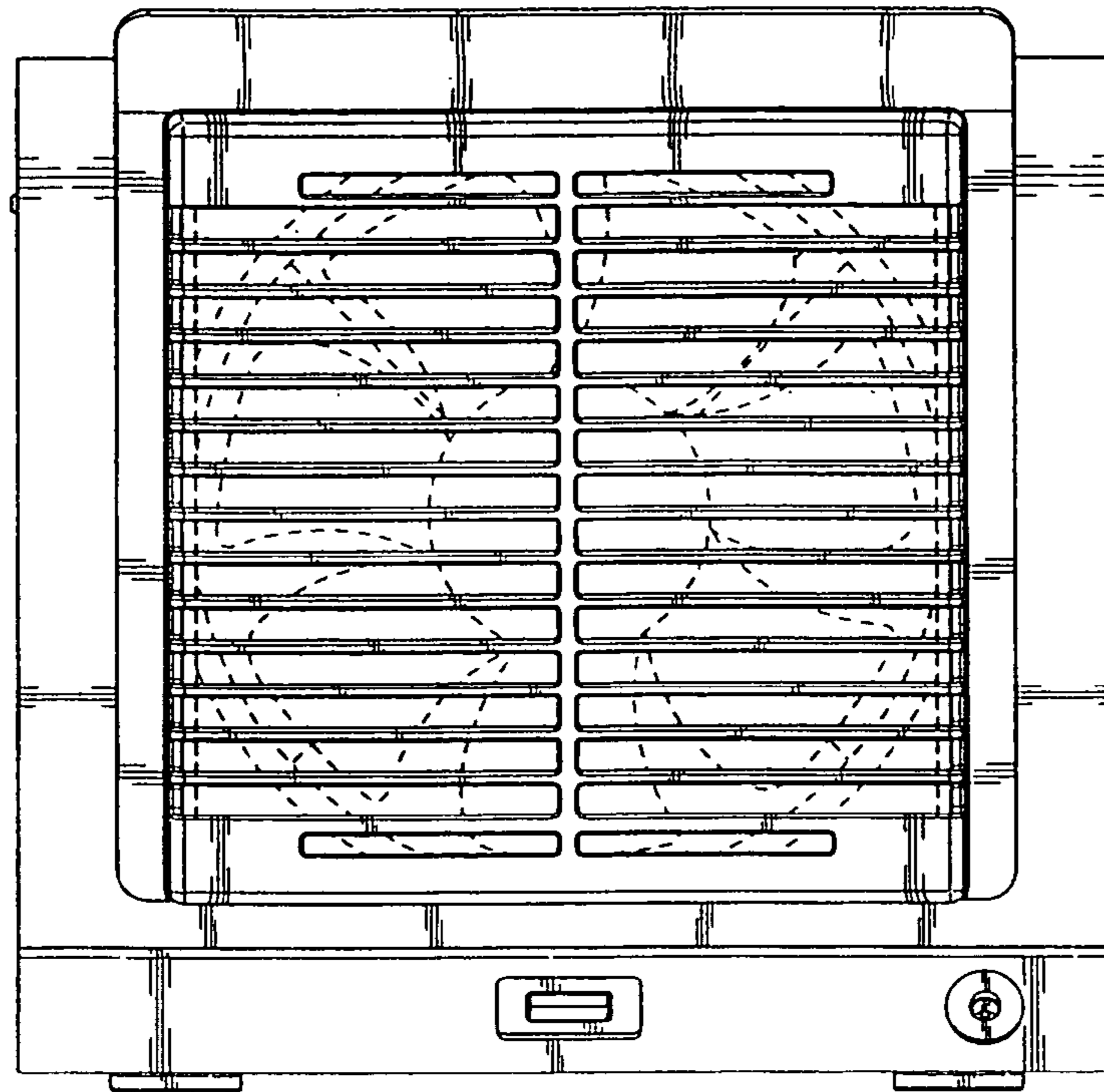


FIG. 3

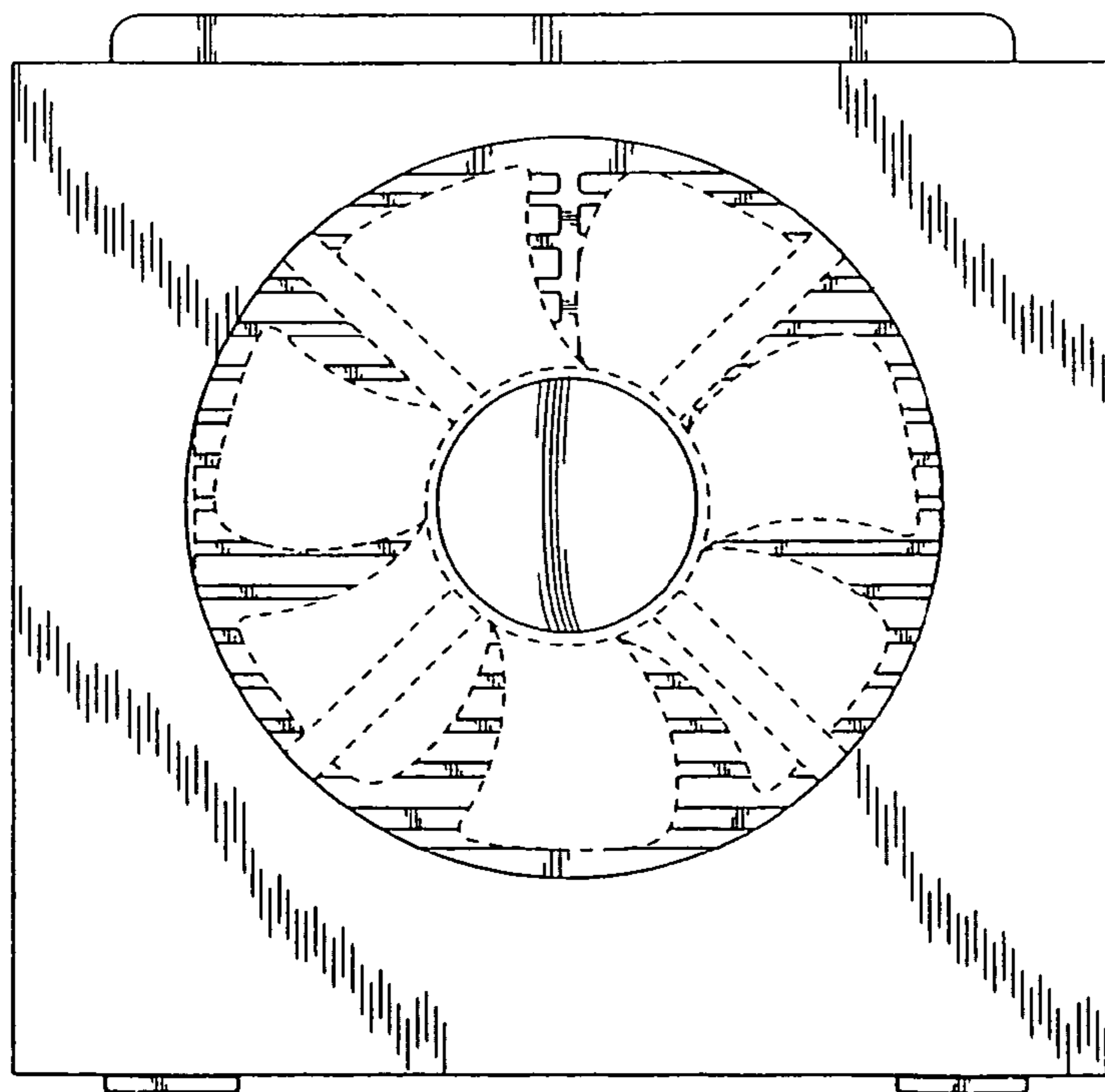


FIG. 4

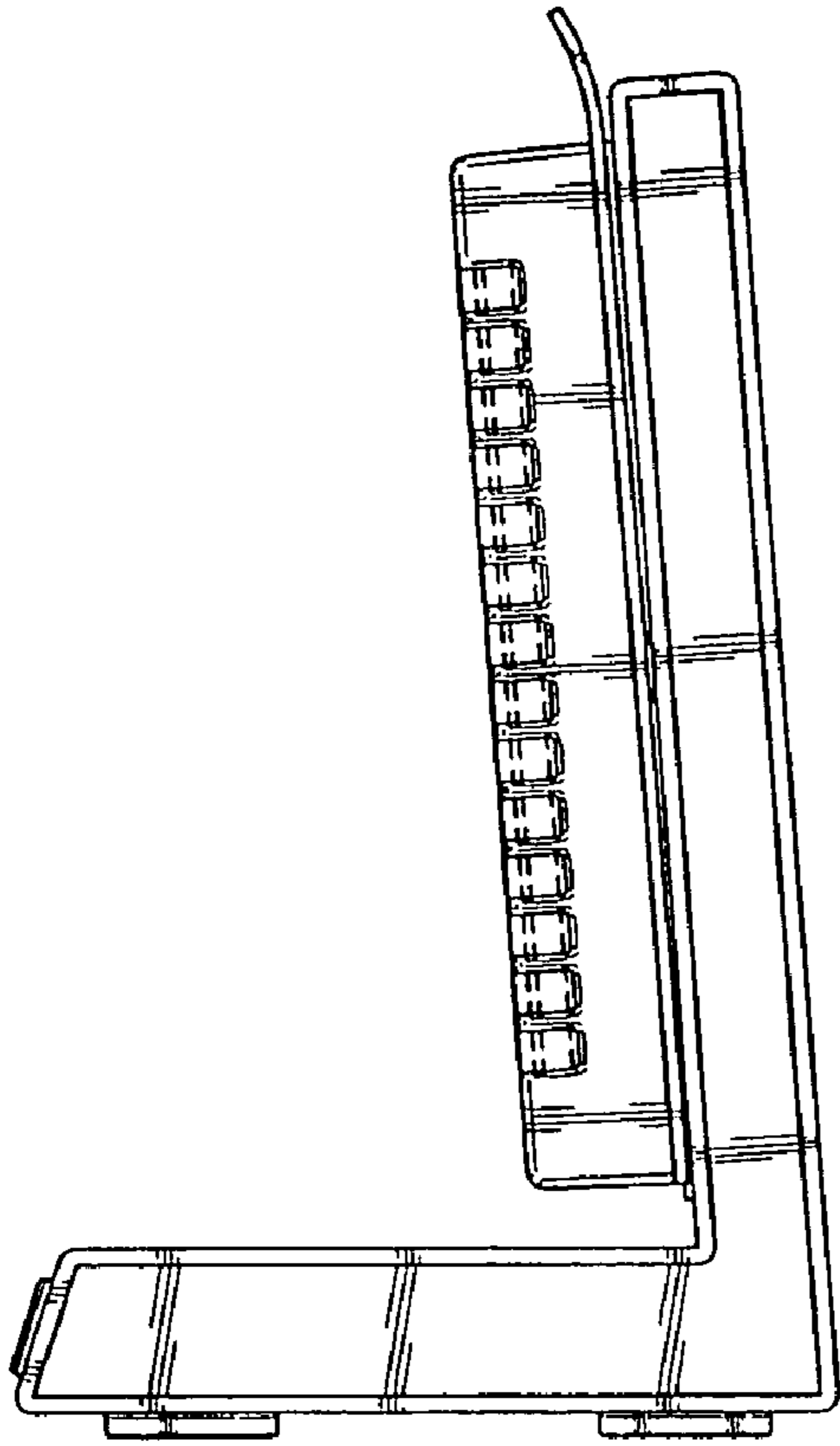


FIG. 5

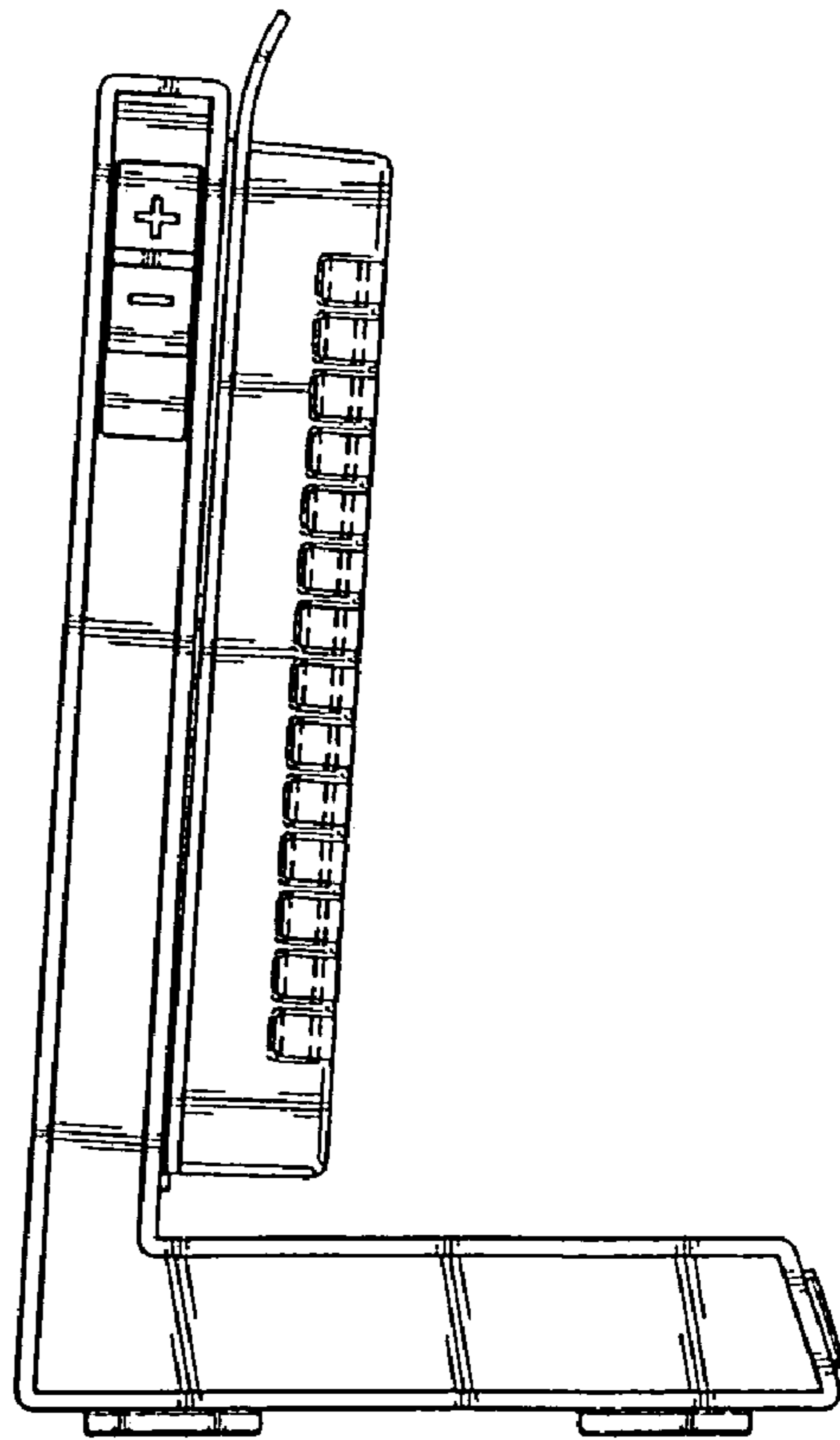


FIG. 6

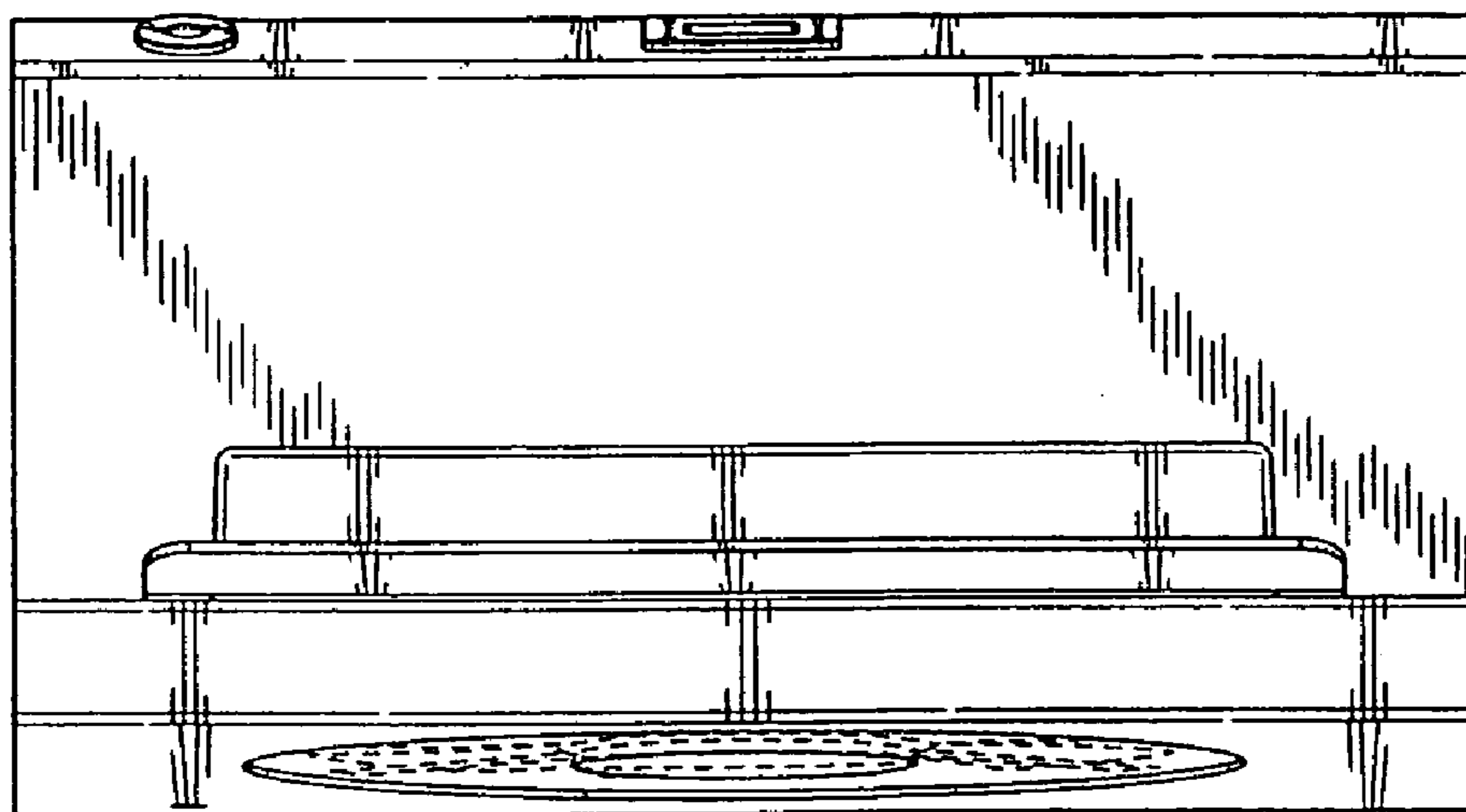


FIG. 7

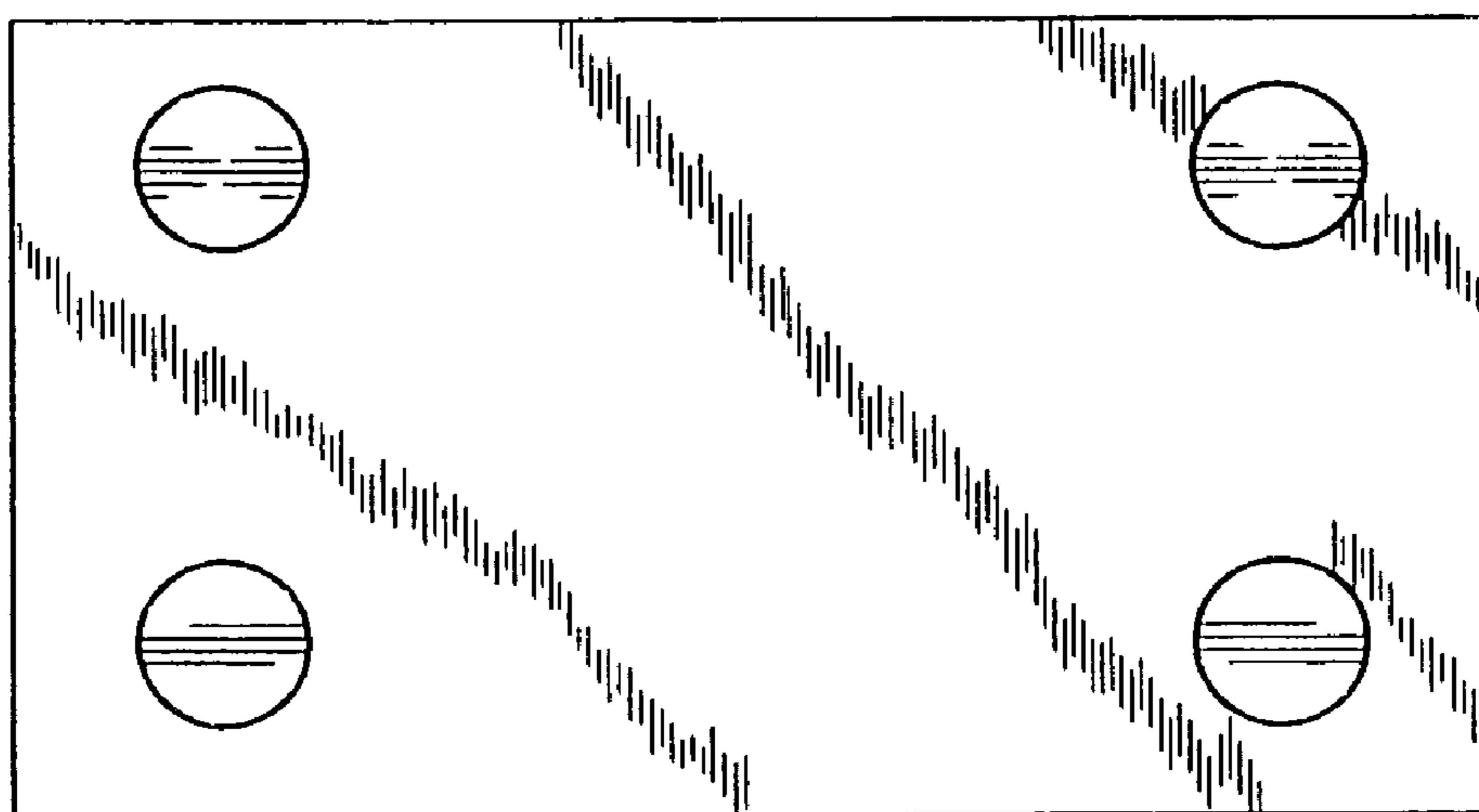


FIG. 8