



US00D580537S

(12) **United States Design Patent**
Niki et al.

(10) **Patent No.:** **US D580,537 S**

(45) **Date of Patent:** **** Nov. 11, 2008**

(54) **AIR CONDITIONER**

(75) Inventors: **Kentarou Niki**, Kusatsu (JP);
Kouichirou Seki, Kusatsu (JP)

(73) Assignee: **Daikin Industries Ltd.**, Osaka (JP)

(**) Term: **14 Years**

(21) Appl. No.: **29/309,170**

(22) Filed: **Jun. 30, 2008**

(51) **LOC (8) Cl.** **23-03**

(52) **U.S. Cl.** **D23/351**

(58) **Field of Classification Search** D23/351-354;
312/236; 62/259.1, 259.4, 262-263, 304;
454/330-331, 349-350

See application file for complete search history.

(56) **References Cited**

U.S. PATENT DOCUMENTS

D487,142 S *	2/2004	Yoo	D23/351
D502,255 S *	2/2005	Kim	D23/351
D529,156 S *	9/2006	Murai	D23/351
D529,158 S *	9/2006	Ueno et al.	D23/351
D529,595 S *	10/2006	Ueno et al.	D23/351
D539,889 S *	4/2007	Chooji	D23/351
D553,721 S *	10/2007	Seki et al.	D23/351
D553,724 S *	10/2007	Nakamura	D23/351
D553,726 S *	10/2007	Niki	D23/351

D558,866 S *	1/2008	Yamamoto	D23/351
D564,081 S *	3/2008	Yamamoto	D23/351
D565,158 S *	3/2008	Nagahori	D23/351
D566,254 S *	4/2008	Lim	D23/351
D568,975 S *	5/2008	Lim	D23/351
D569,489 S *	5/2008	Nakamura et al.	D23/351
D570,463 S *	6/2008	Seki	D23/351
D571,907 S *	6/2008	Choi	D23/351

* cited by examiner

Primary Examiner—Brian N Vinson

(74) *Attorney, Agent, or Firm*—Manabu Kanesaka

(57) **CLAIM**

The ornamental design for an air conditioner, as shown and described.

DESCRIPTION

FIG. 1 is a perspective view of an air conditioner showing our new design;

FIG. 2 is a front view thereof;

FIG. 3 is a rear view thereof;

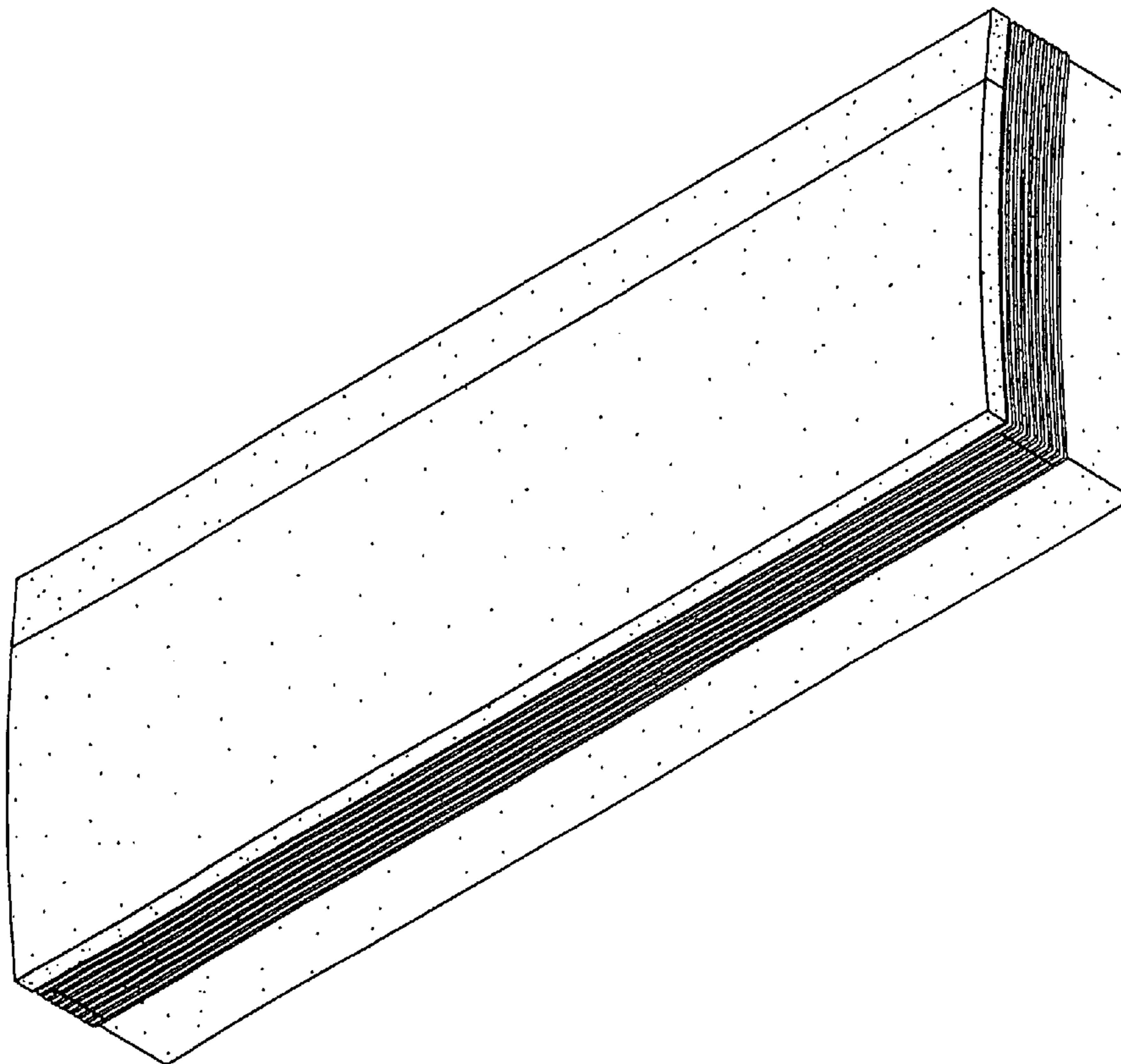
FIG. 4 is a right side view thereof;

FIG. 5 is a left side view thereof;

FIG. 6 is a plan view thereof; and,

FIG. 7 is a bottom plan view thereof.

1 Claim, 6 Drawing Sheets



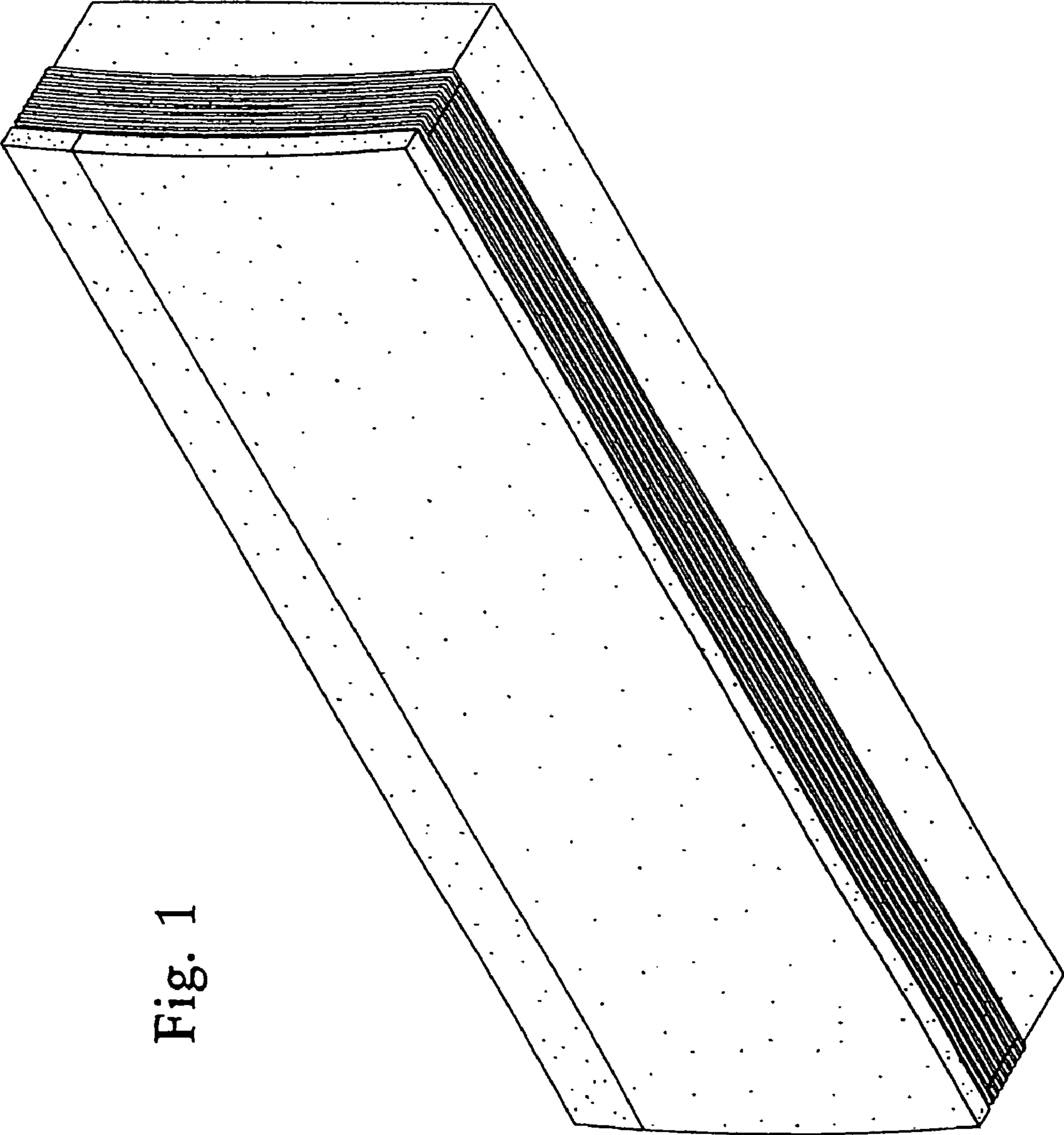


Fig. 1

Fig. 2

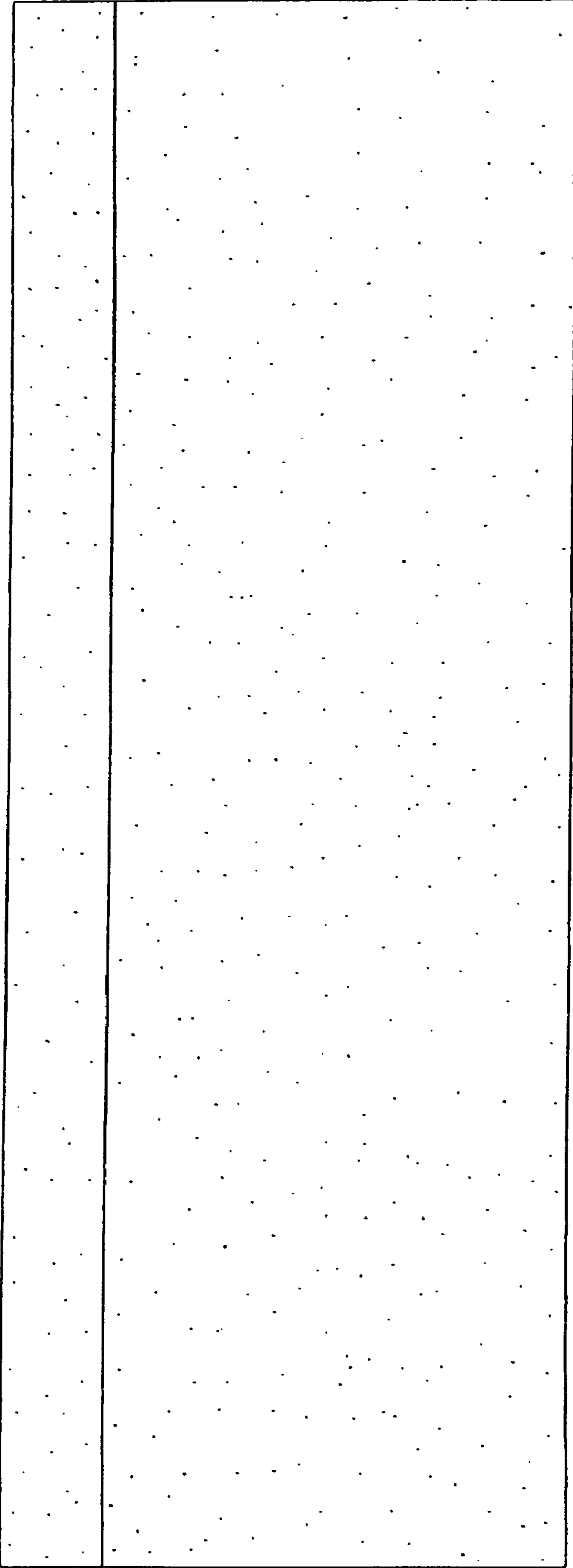


Fig. 3

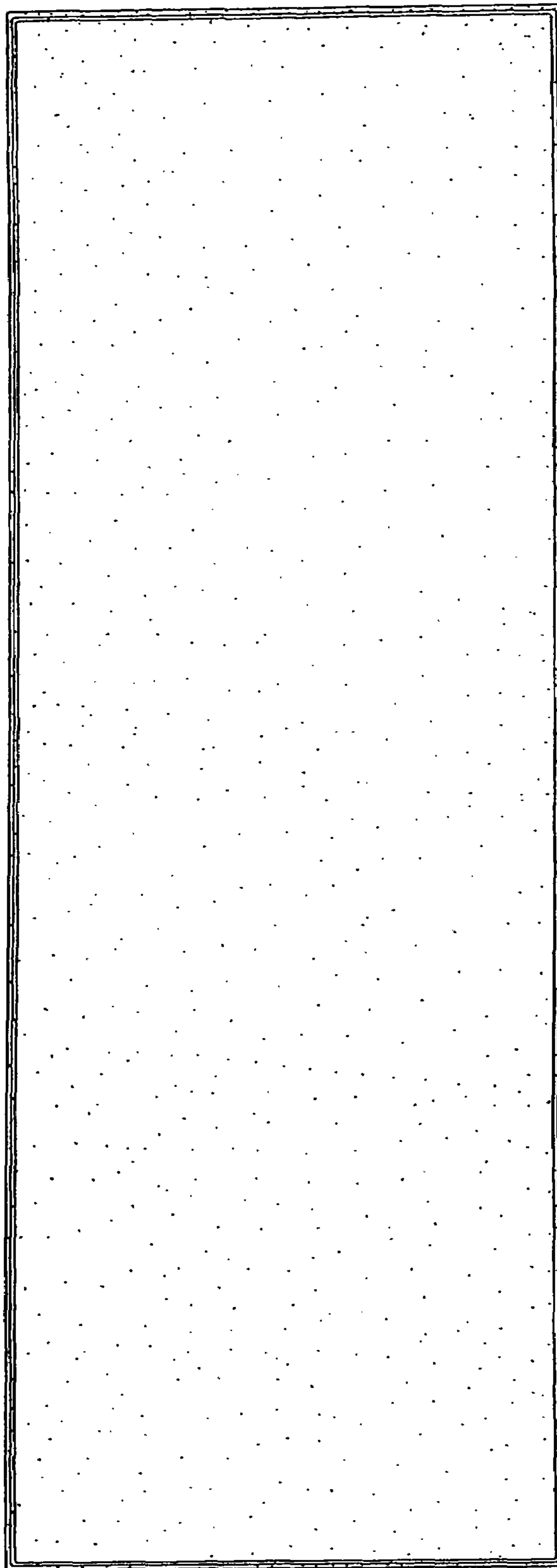


Fig. 5

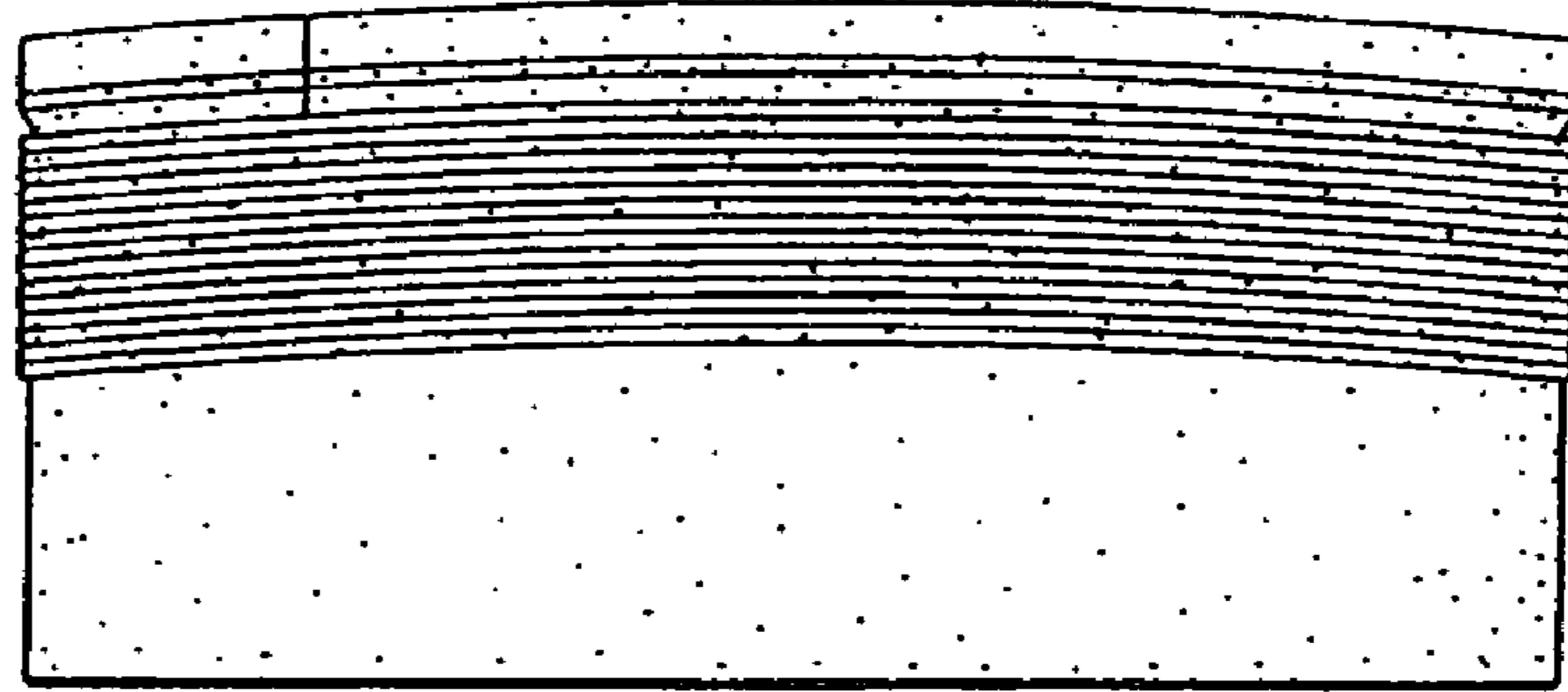
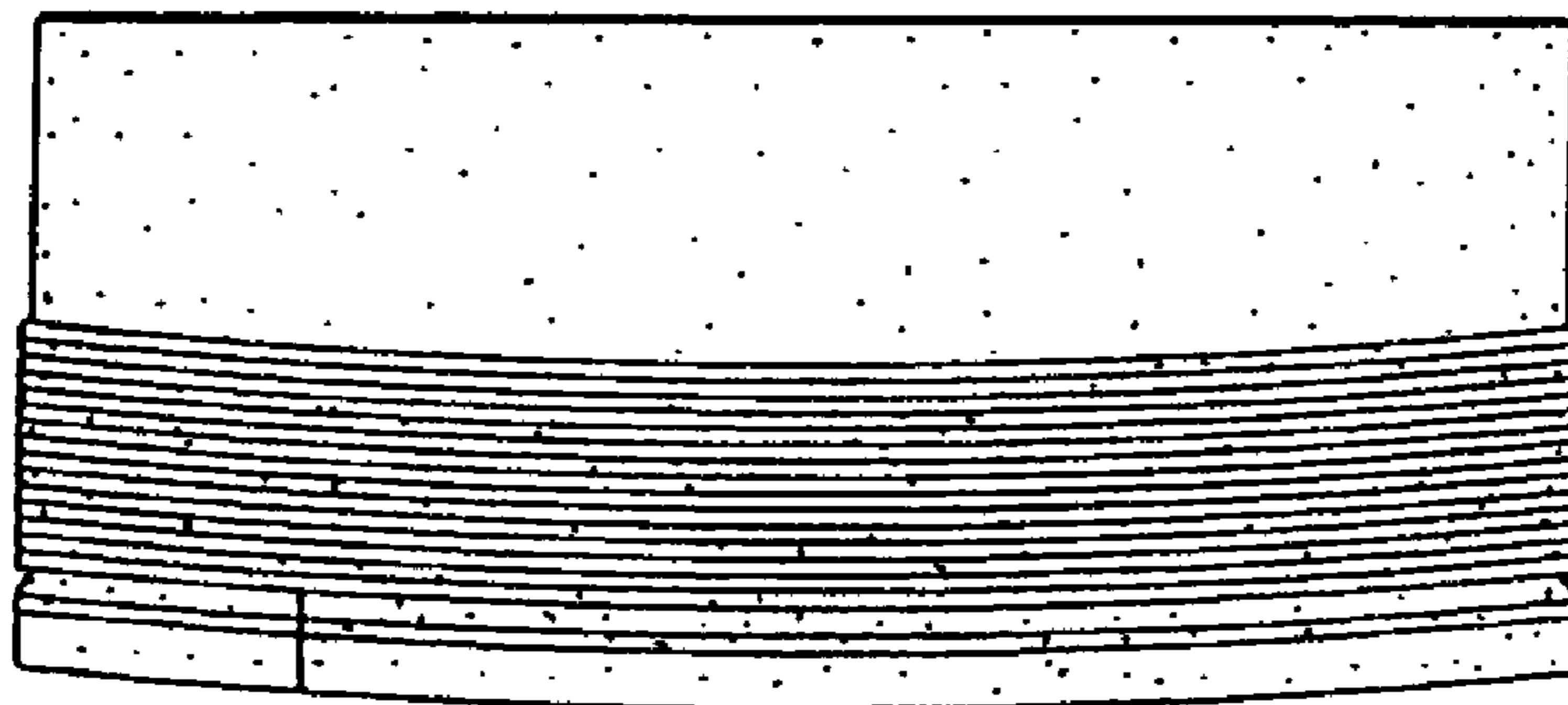


Fig. 4



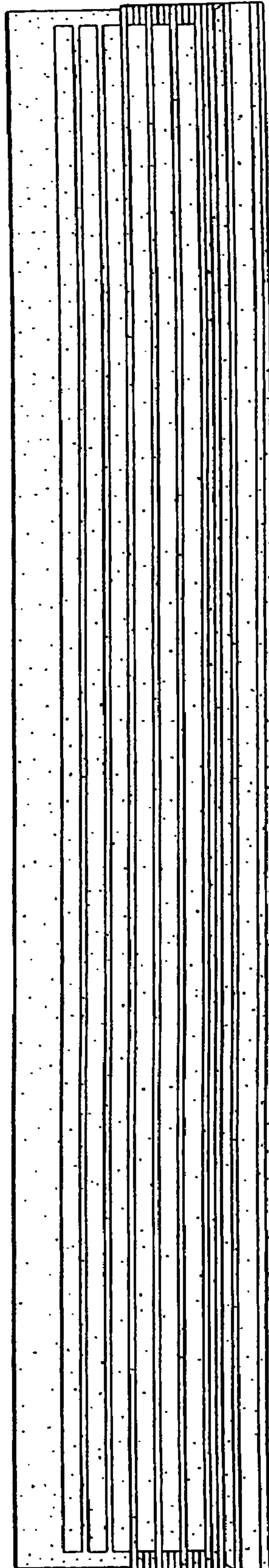


Fig. 6

Fig. 7

