

US00D580536S

(12) **United States Design Patent**
Oh et al.

(10) **Patent No.:** **US D580,536 S**

(45) **Date of Patent:** **** Nov. 11, 2008**

(54) **AIR CONDITIONER**

(75) Inventors: **San hui Oh**, Seoul (KR); **Joo Hee Ryu**,
Kyunggi-do (KR)

(73) Assignee: **Samsung Electronics Co., Ltd.**, Suwon
(KR)

(**) Term: **14 Years**

(21) Appl. No.: **29/301,805**

(22) Filed: **Mar. 17, 2008**

(51) **LOC (8) Cl.** **23-03**

(52) **U.S. Cl.** **D23/351**

(58) **Field of Classification Search** D23/351-354;
312/236; 62/259.1, 259.4, 262-263, 304;
454/330-331, 349-350

See application file for complete search history.

(56) **References Cited**

U.S. PATENT DOCUMENTS

D368,305 S *	3/1996	Shigenari et al.	D23/351
D417,910 S *	12/1999	Nonaka	D23/351
D420,116 S *	2/2000	Kobayashi	D23/351
D426,626 S *	6/2000	Nonaka	D23/351
D439,317 S *	3/2001	Kobayashi	D23/351
D446,292 S *	8/2001	Asakura et al.	D23/351
D448,073 S *	9/2001	Wakasa	D23/351
D449,095 S *	10/2001	Yanagida et al.	D23/351

D450,823 S *	11/2001	Kobayashi	D23/351
D451,586 S *	12/2001	Oya et al.	D23/351
D454,188 S *	3/2002	Nonaka	D23/351
D465,016 S *	10/2002	Nanjo et al.	D23/351
D487,142 S *	2/2004	Yoo	D23/351

* cited by examiner

Primary Examiner—Brian N Vinson

(74) *Attorney, Agent, or Firm*—Ladas and Parry LLP

(57) **CLAIM**

We claim the ornamental design for air conditioner, as shown.

DESCRIPTION

FIG. 1 is a front/right-side/top perspective view of an air conditioner showing our new design;

FIG. 2 is a front-side elevational view thereof;

FIG. 3 is a rear-side elevational view thereof;

FIG. 4 is a left-side elevational view thereof;

FIG. 5 is a right-side elevational view thereof;

FIG. 6 is a top-side elevational view thereof;

FIG. 7 is a bottom-side elevational view thereof; and,

FIG. 8 is a front/right-side/top perspective view thereof showing that lamp and display are revealed when the front panel is opened.

1 Claim, 5 Drawing Sheets

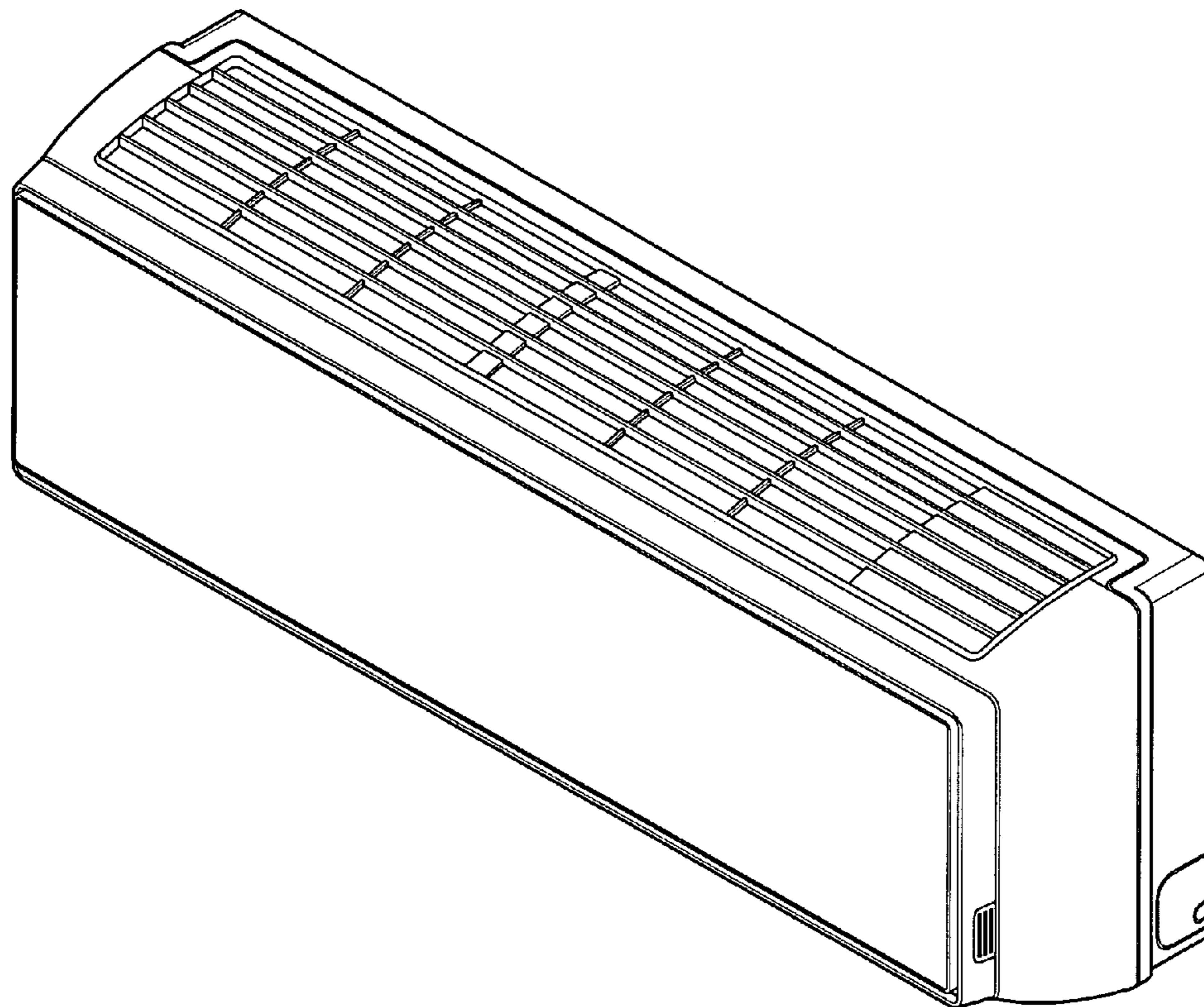


FIG. 1

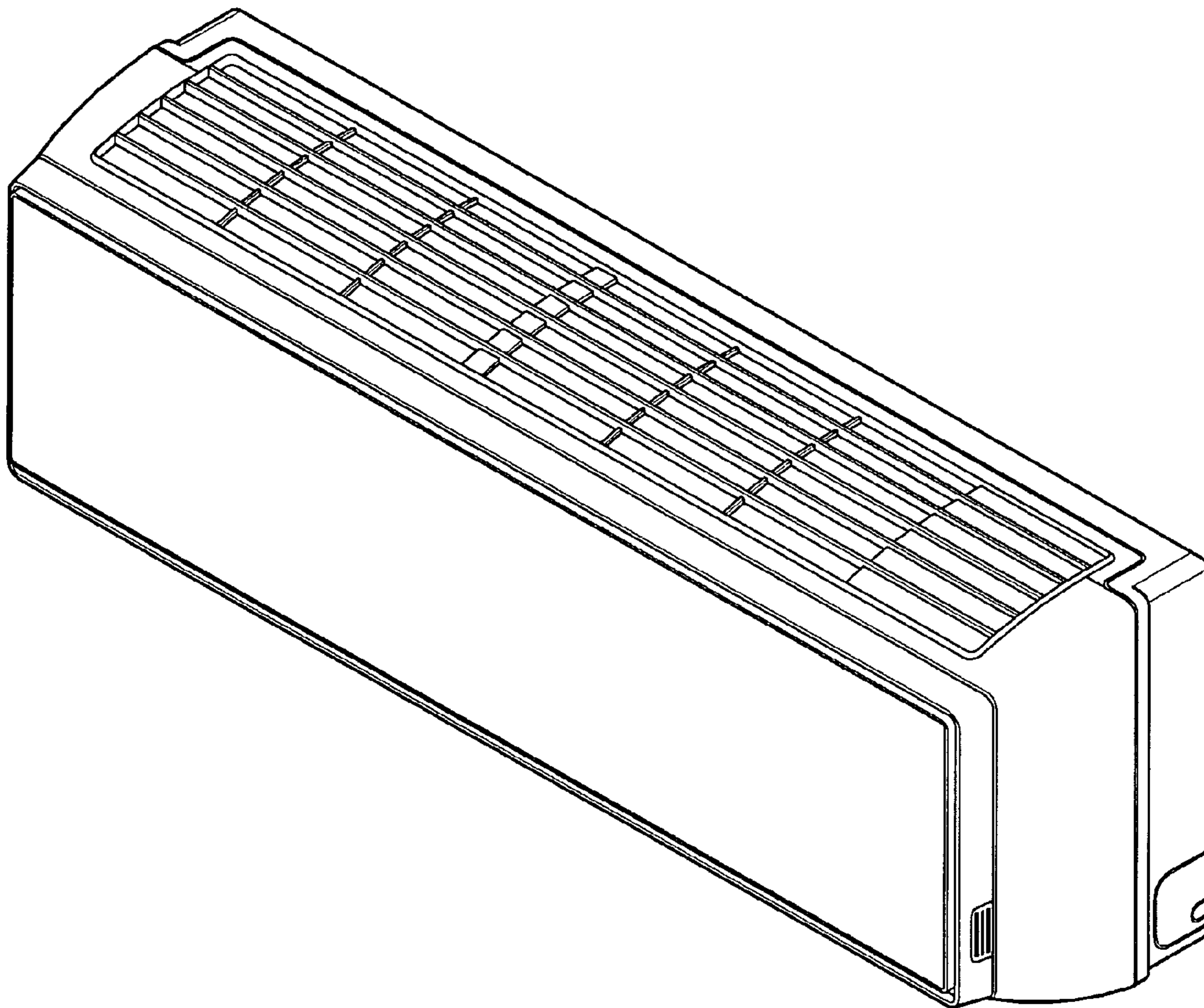


FIG. 2

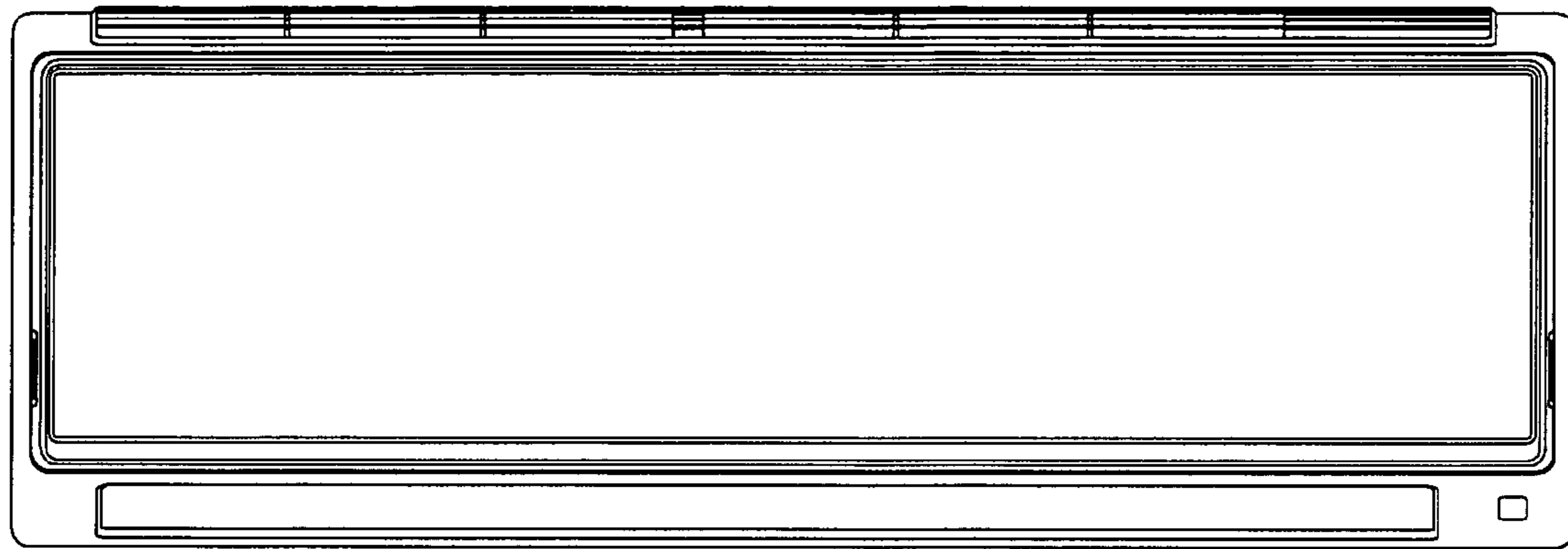


FIG. 3

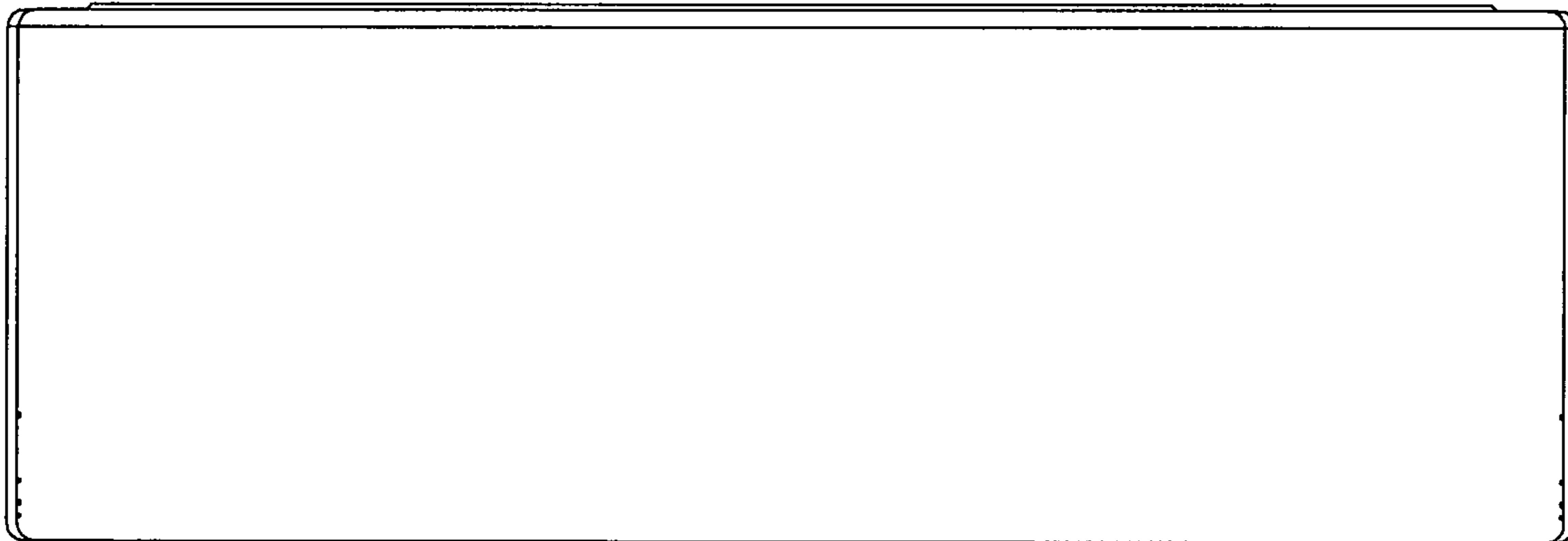


FIG. 4

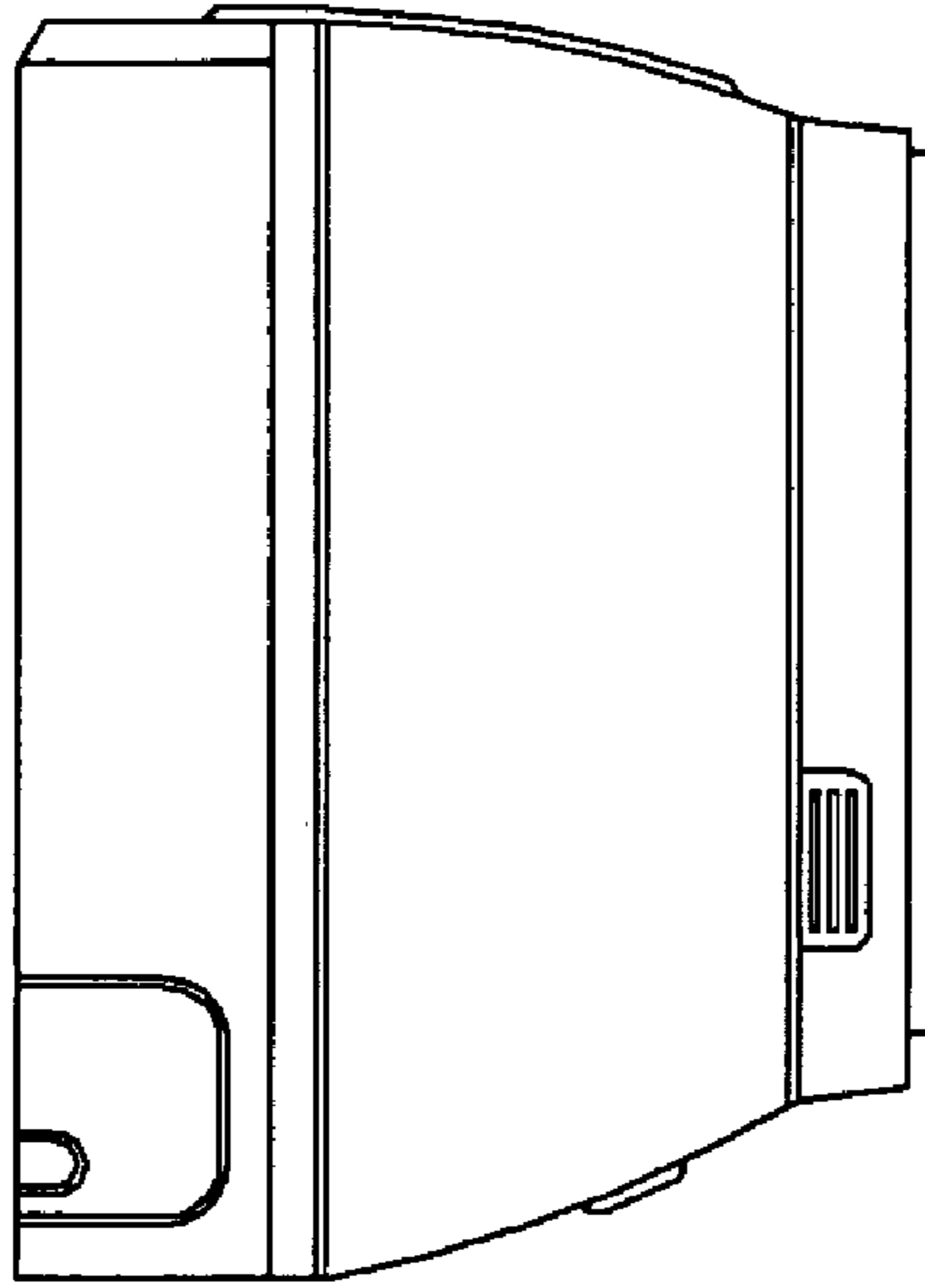


FIG. 5

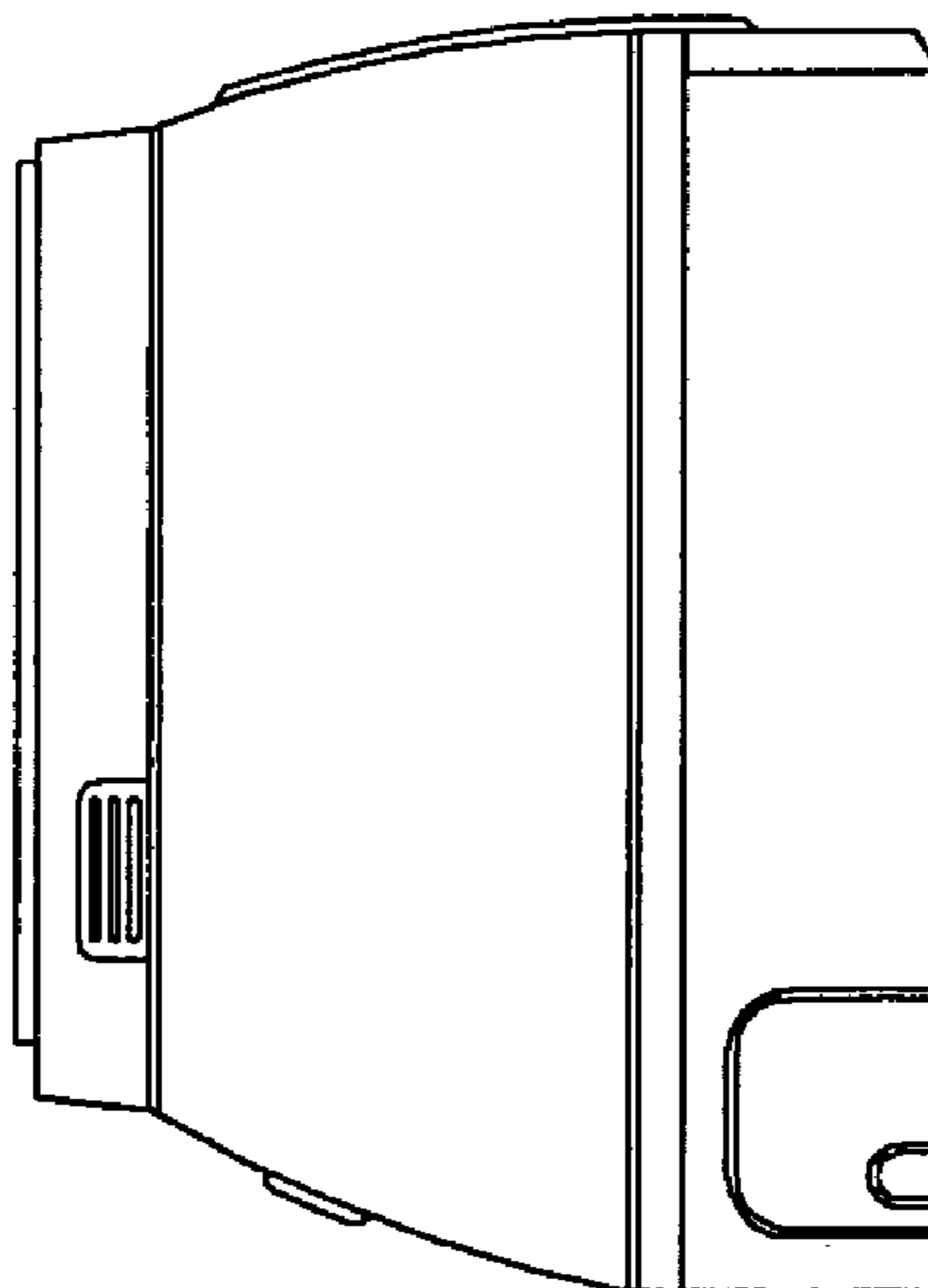


FIG. 6

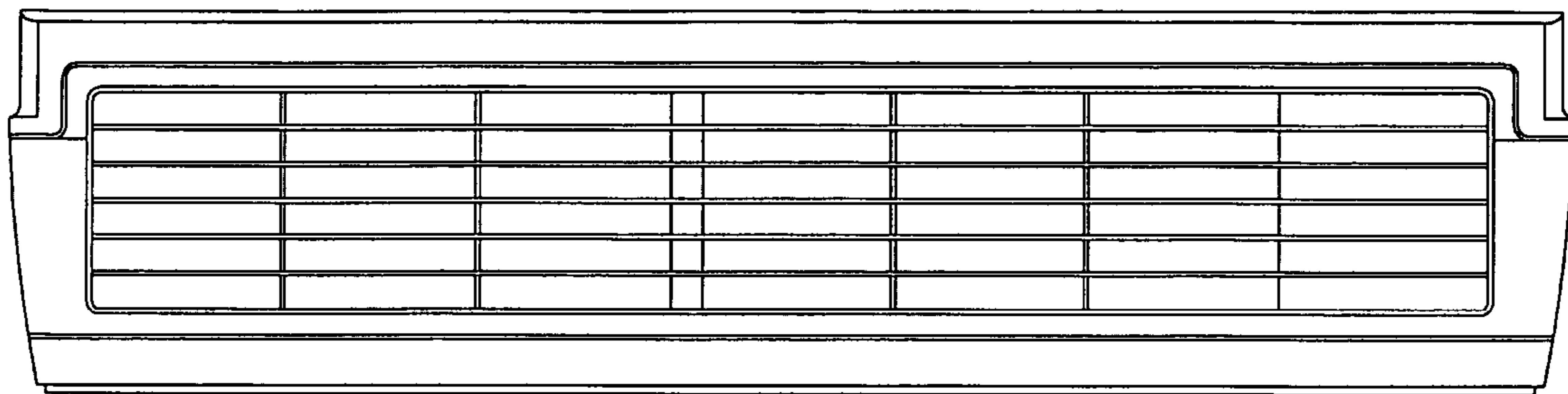


FIG. 7

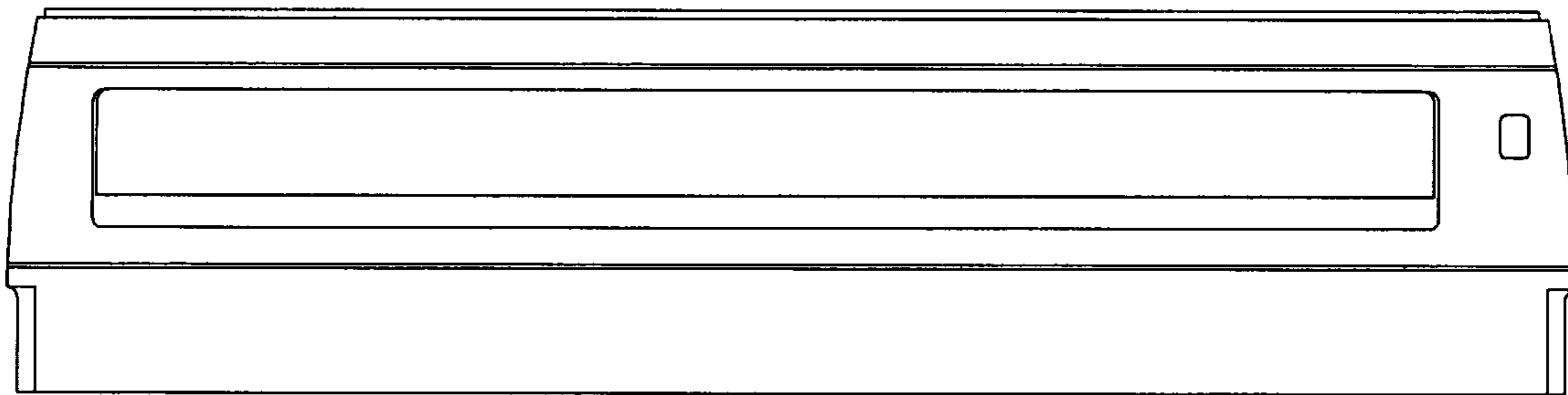


FIG. 8

