



US00D580532S

(12) **United States Design Patent**  
**Cusimano**

(10) **Patent No.:** **US D580,532 S**

(45) **Date of Patent:** **\*\* Nov. 11, 2008**

(54) **METAL UNDERMOUNT SINK WITH BEVEL**

(76) Inventor: **Chad Michael Cusimano**, 95 Saginaw Dr., Rochester, NY (US) 14623

(\*\*) Term: **14 Years**

(21) Appl. No.: **29/299,866**

(22) Filed: **Jan. 5, 2008**

**Related U.S. Application Data**

(62) Division of application No. 11/953,047, filed on Dec. 8, 2007.

(51) **LOC (8) Cl.** ..... **23-02**

(52) **U.S. Cl.** ..... **D23/308**

(58) **Field of Classification Search** ..... D23/284,  
D23/287, 290, 293.1, 308; 4/619, 631, 637  
See application file for complete search history.

(56) **References Cited**

**U.S. PATENT DOCUMENTS**

2,539,463	A *	1/1951	Norquist	4/631
2,947,005	A *	8/1960	Switzer	4/619
4,374,695	A	2/1983	Ikeda et al.	
D389,230	S *	1/1998	Johnson	D23/290
7,007,317	B1	3/2006	Brown	
D526,056	S *	8/2006	Arnold	D23/290
D535,369	S *	1/2007	Sallick et al.	D23/286
7,278,176	B2 *	10/2007	Clarke	4/619

**OTHER PUBLICATIONS**

Karran(R) Undermount Sinks Product Brochure. Author Unknown. 4 pages.

Karran(R) Under Mounting To Laminate Installation Guide. Author Unknown. 8 pages.

Lansen Stainless Steel Sinks Product Brochure. Author Unknown. 4 pages.

2 pages from website www.counter-seal.com dated Jan. 5, 2008.

\* cited by examiner

*Primary Examiner*—Robert A Delehanty

(74) *Attorney, Agent, or Firm*—Patent Technologies, LLC; Robert D. Gunderman, Jr.

(57) **CLAIM**

The ornamental design for a metal undermount sink with bevel, as shown and described.

**DESCRIPTION**

FIG. 1 is a top left front perspective view of a first embodiment of the metal undermount sink with bevel showing the new design;

FIG. 2 is a top right front perspective view of a first embodiment of the metal undermount sink with bevel shown in FIG. 1;

FIG. 3 is a bottom left rear perspective view of a first embodiment of the metal undermount sink with bevel shown in FIG. 1;

FIG. 4 is a bottom right rear perspective view of a first embodiment of the metal undermount sink with bevel shown in FIG. 1;

FIG. 5 is a top plan view of a first embodiment of the metal undermount sink with bevel shown in FIG. 1;

FIG. 6 is a top perspective view of a second embodiment of the metal undermount sink with bevel shown in FIG. 1, the only difference being the addition of a partition;

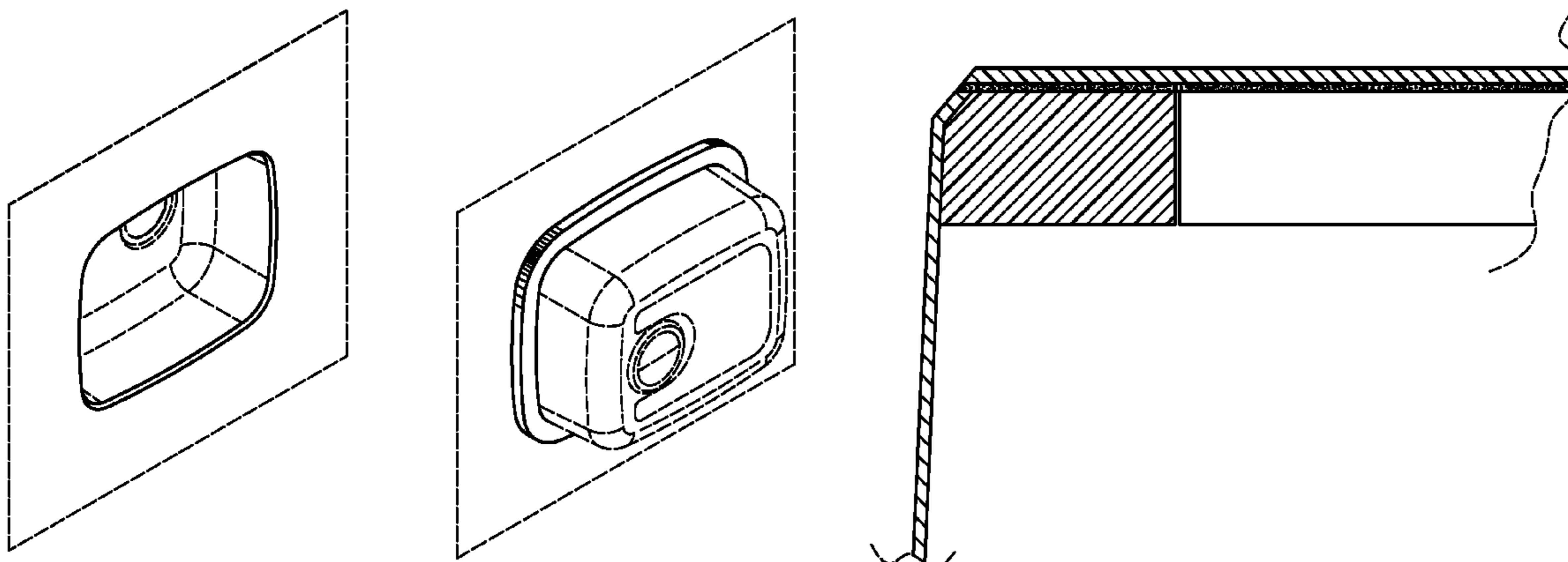
FIG. 7 is a top plan view of the second embodiment shown in FIG. 6; and,

FIG. 8 is a close up partially broken away view of the edge detail of the metal undermount sink showing the bevel and the junction of the sink to the countertop.

Any broken line illustration of environmental structure in the drawings is for illustrative purposes only and forms no part of the claimed design.

The characteristic feature of the design resides in an edge where the metal of the sink and the underside mounting flange integrates with and meets the countertop surface, as more clearly depicted in FIG. 8.

**1 Claim, 8 Drawing Sheets**



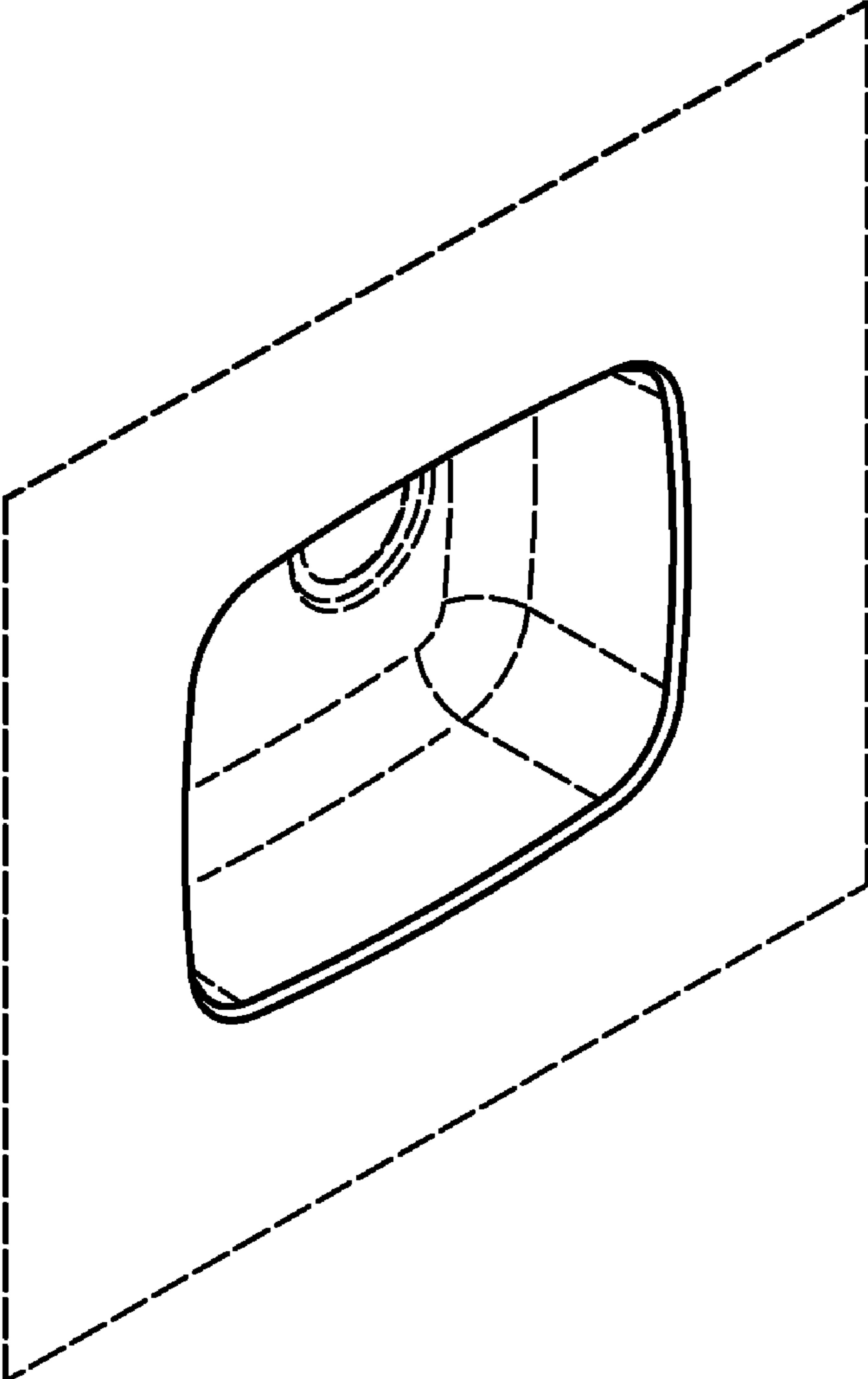


Fig. 1

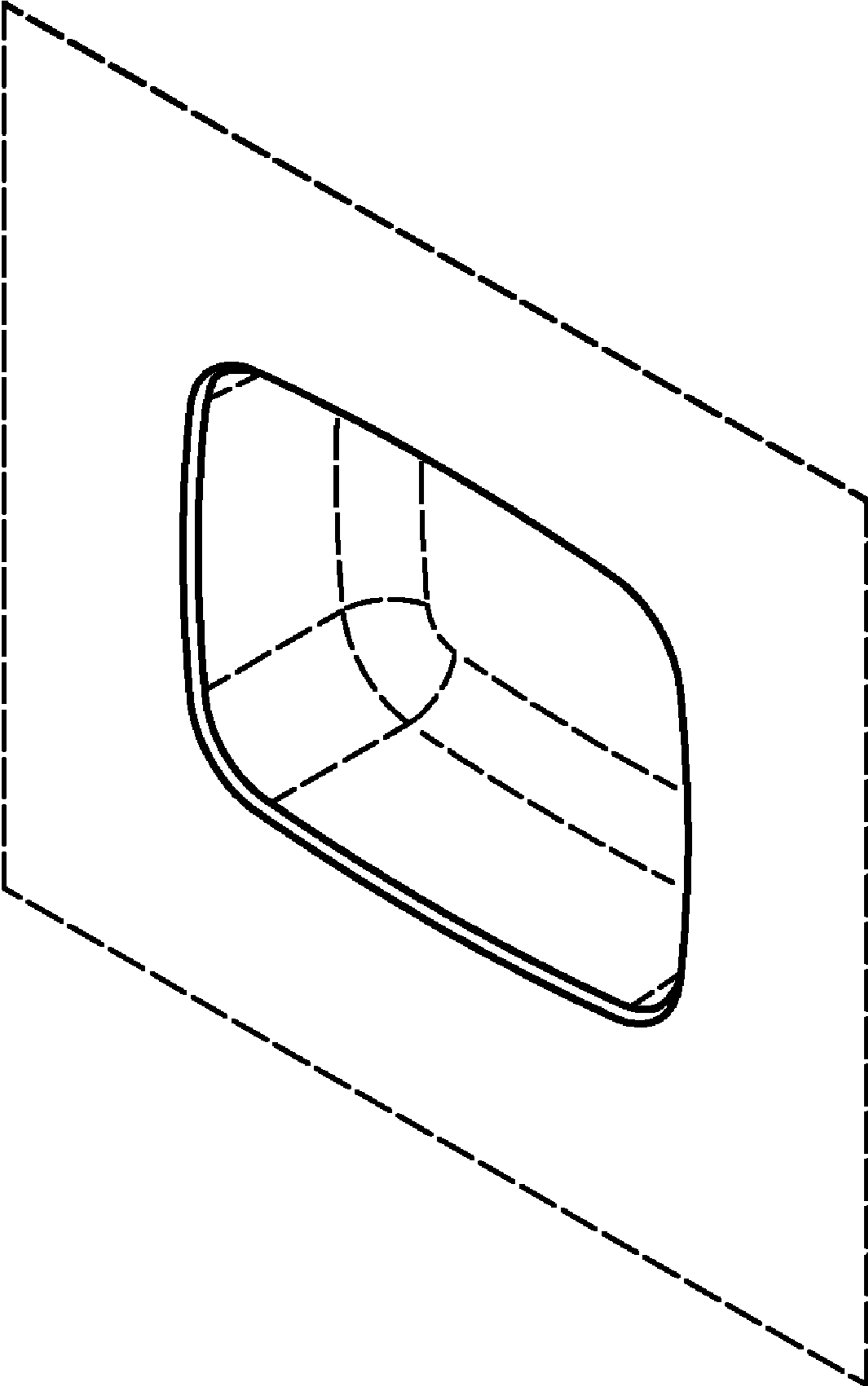


Fig. 2

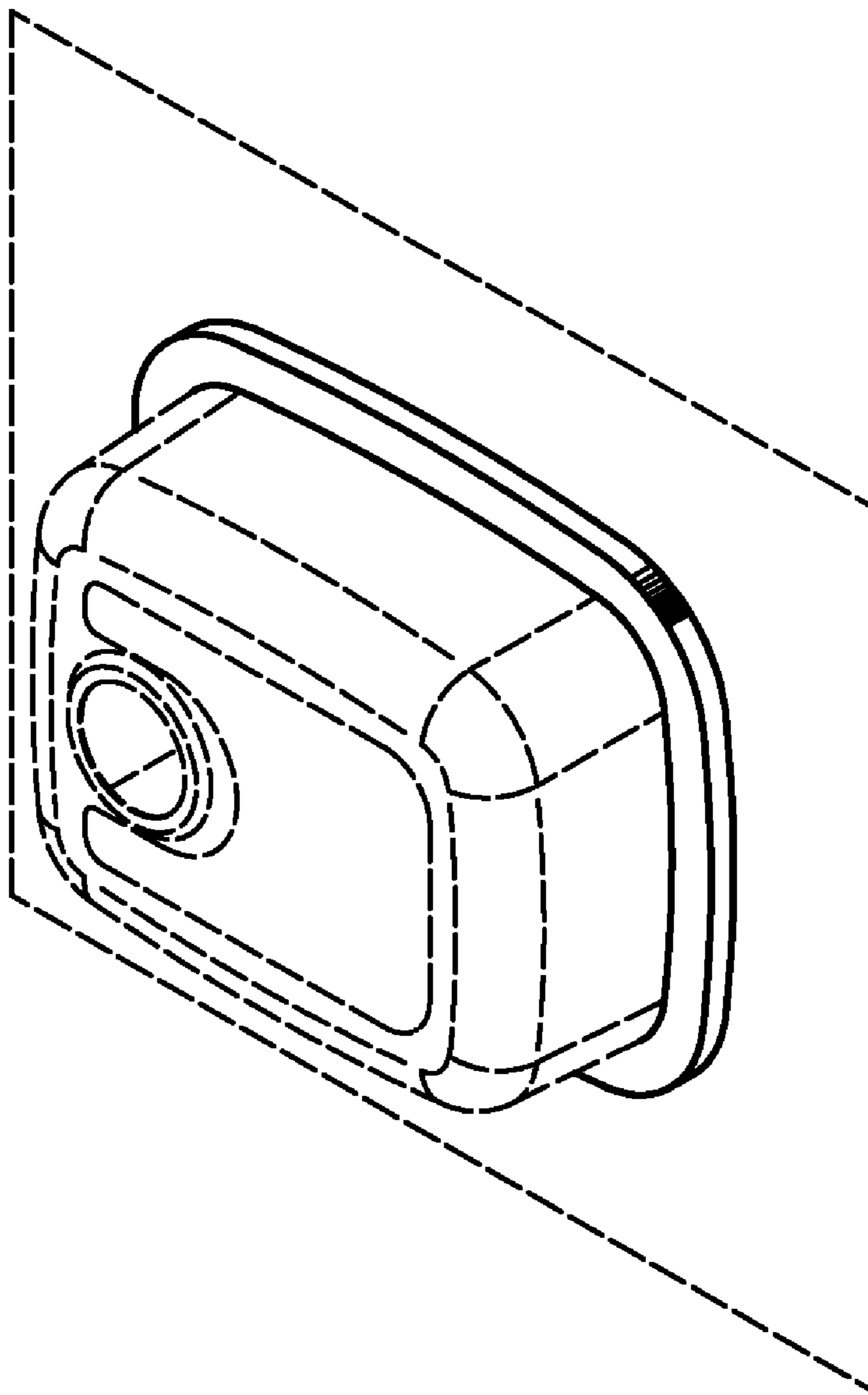


Fig. 3

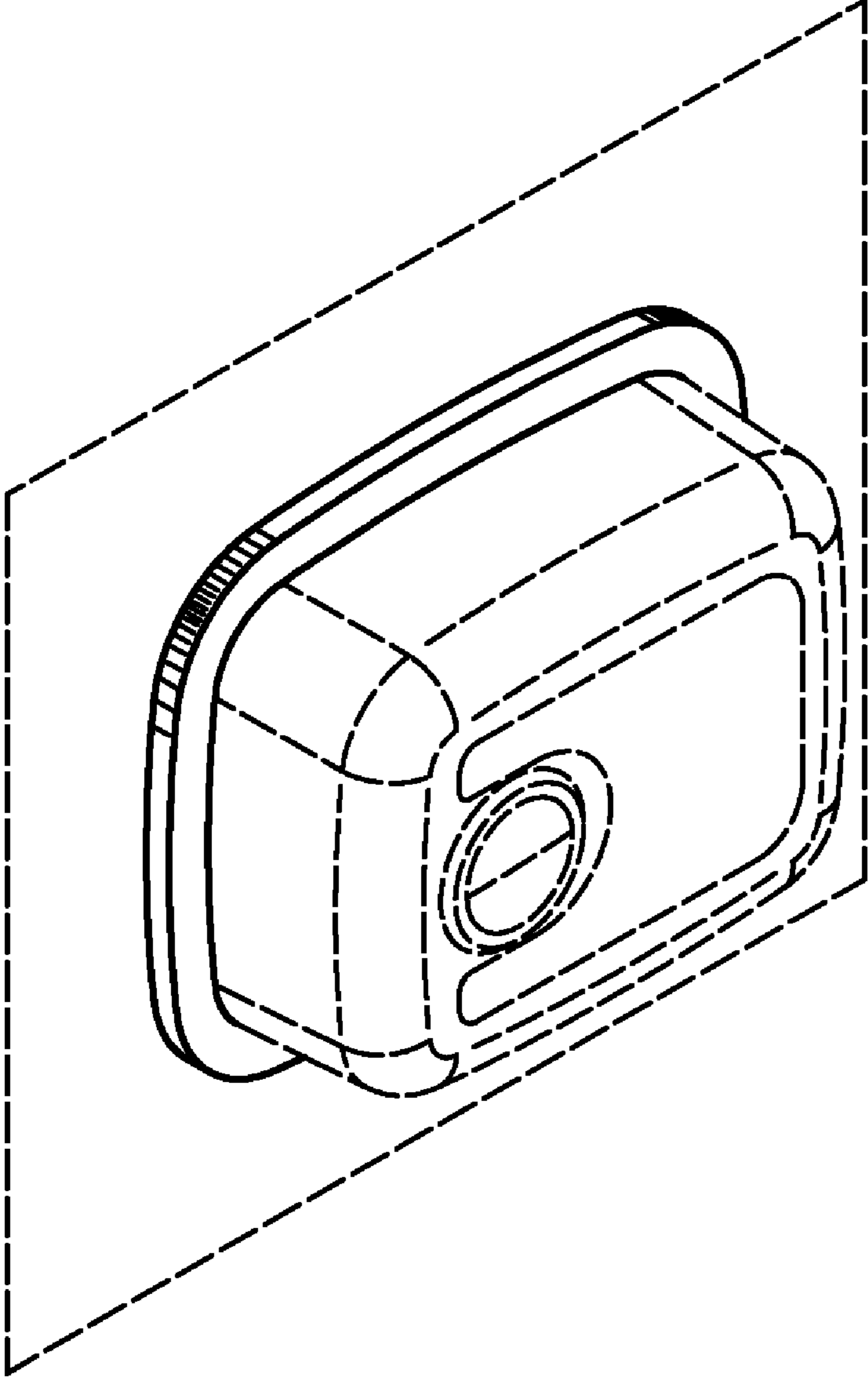


Fig. 4

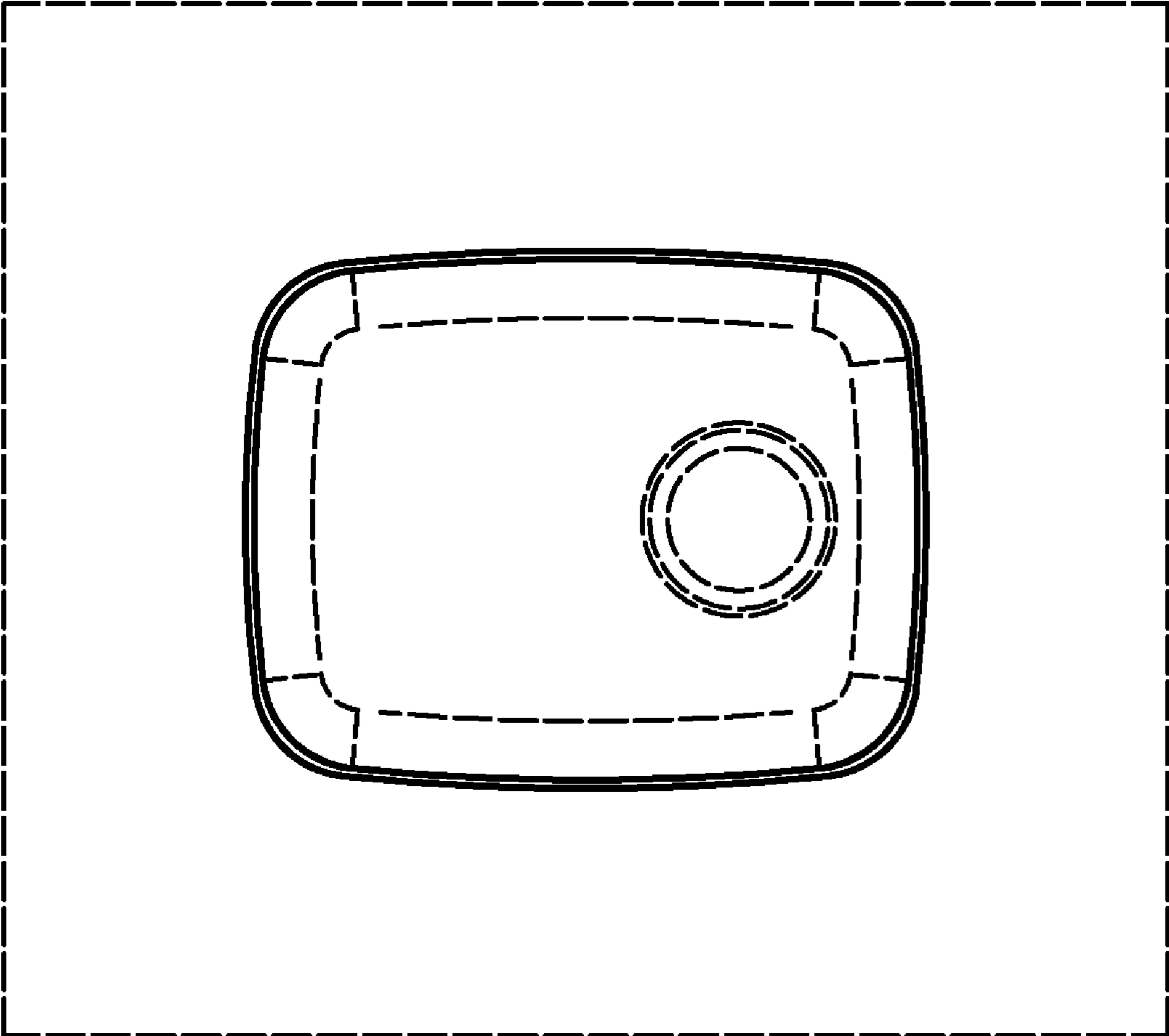


Fig. 5

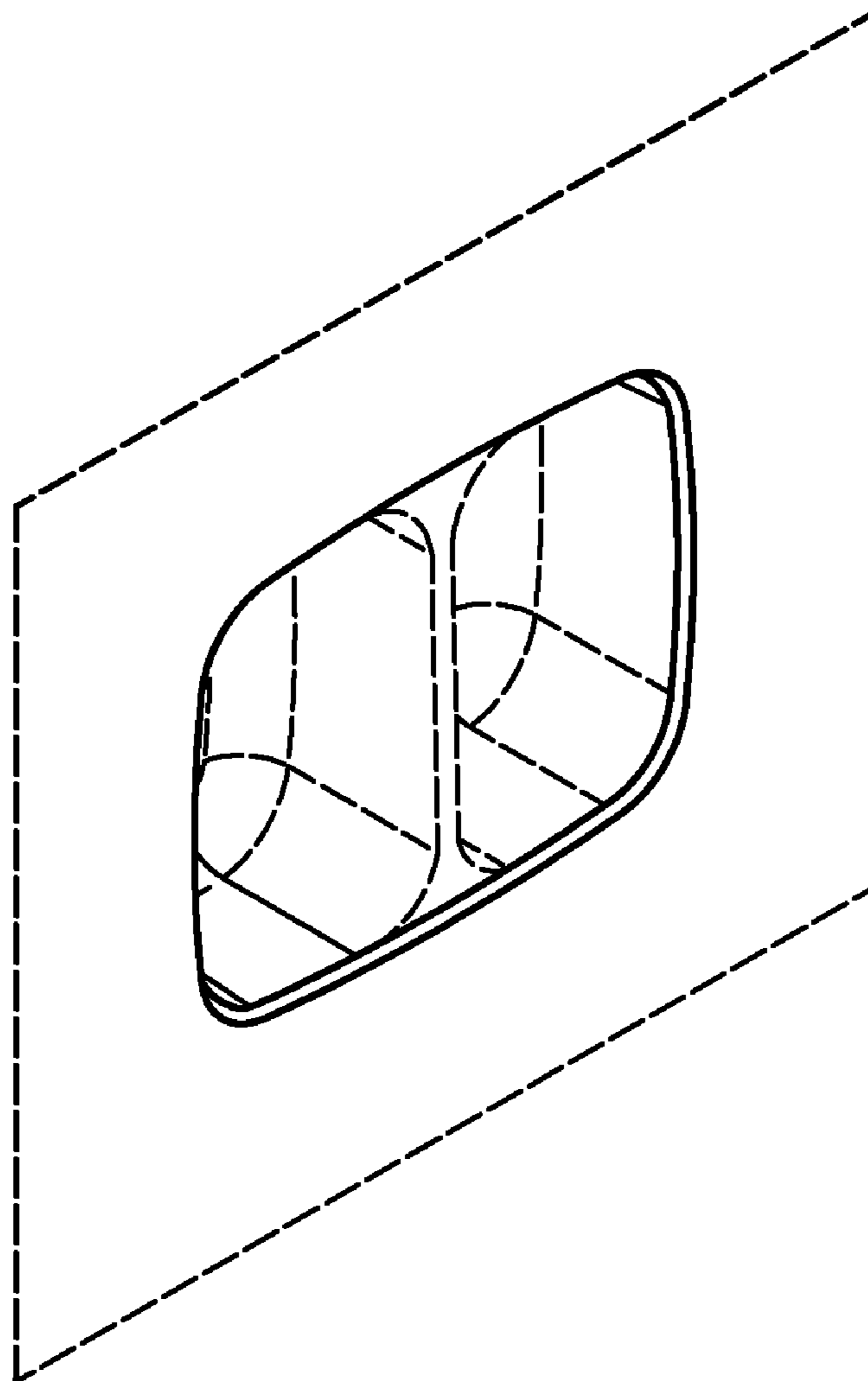


Fig. 6

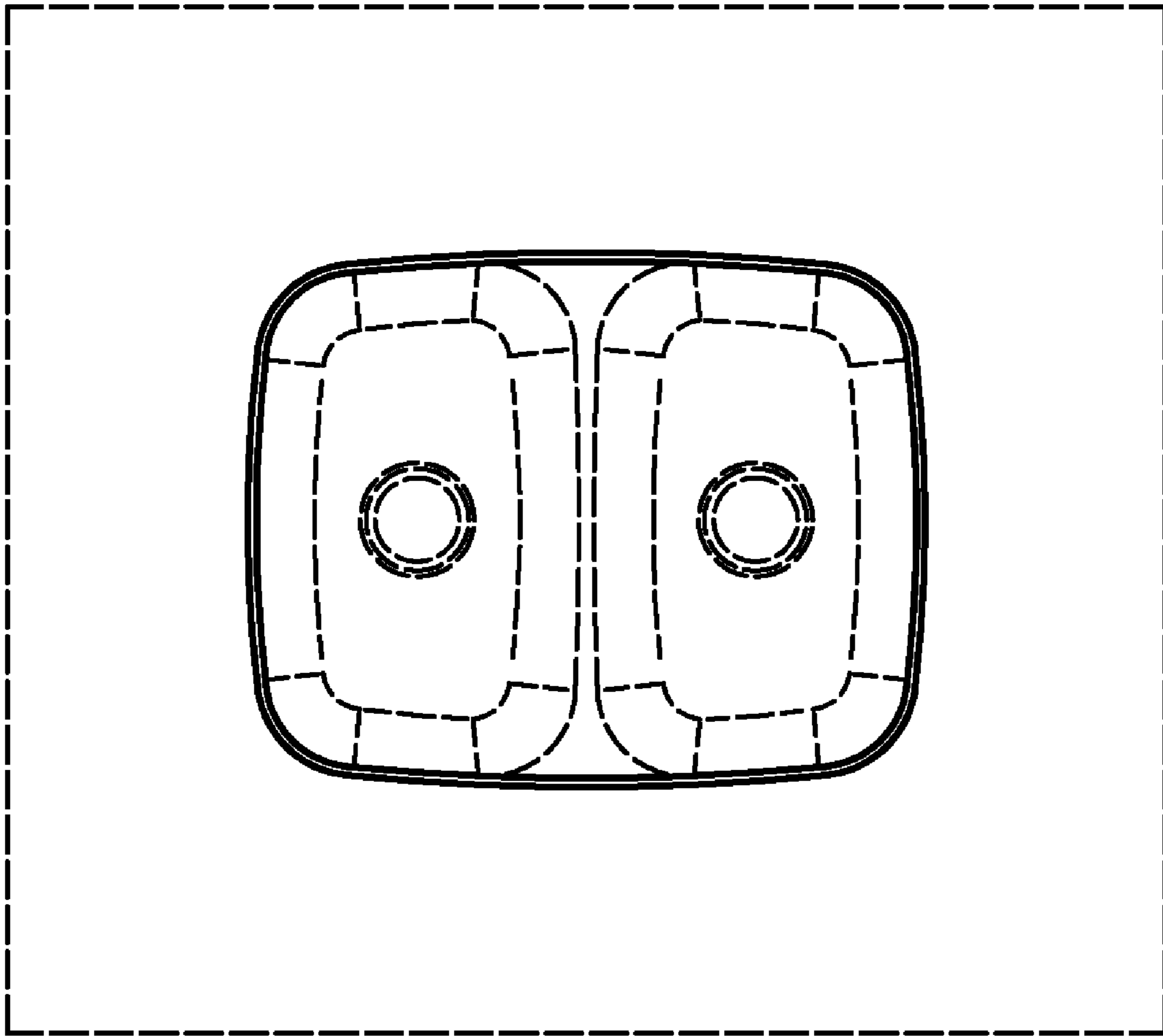


Fig. 7



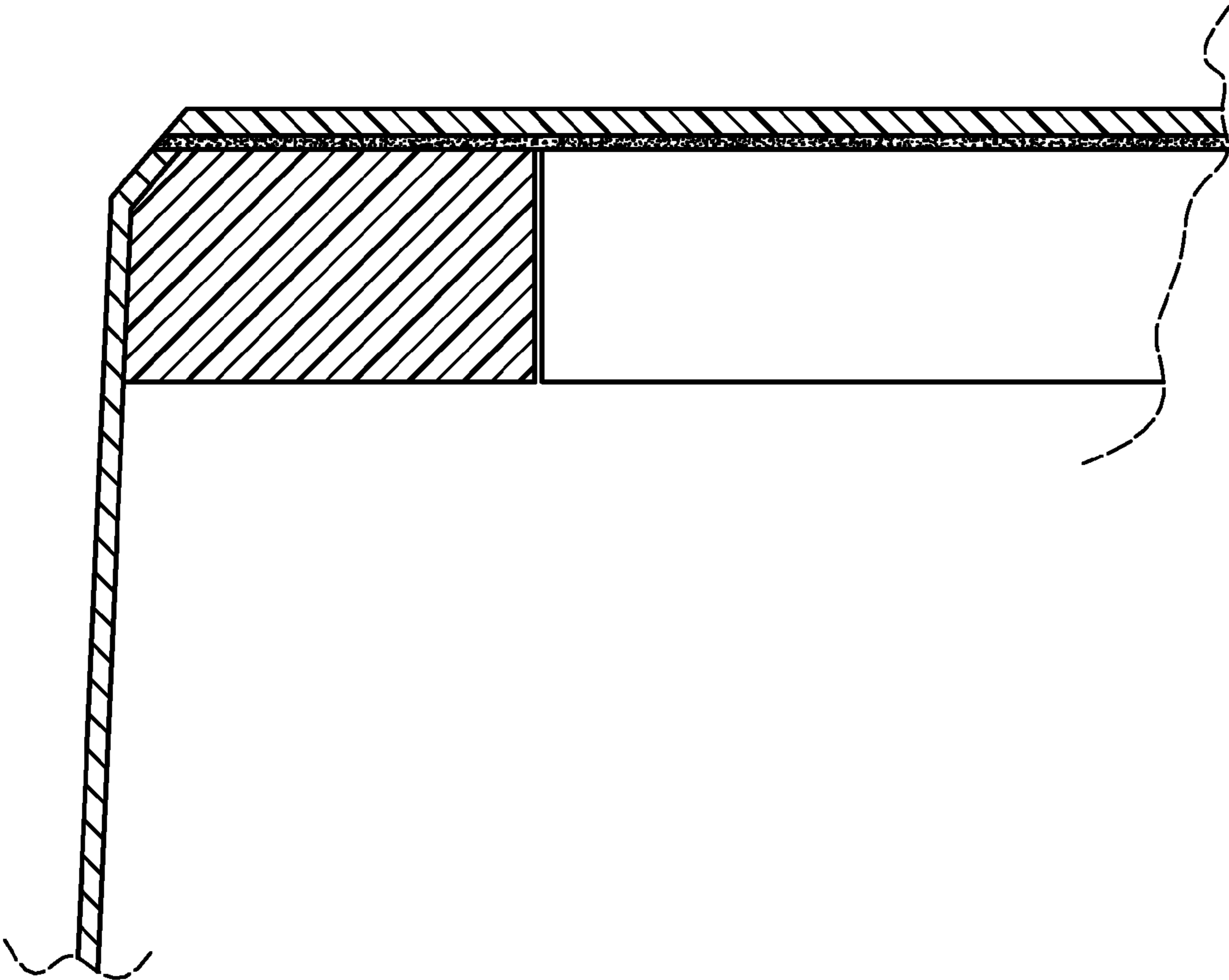


Fig. 8