



US00D580530S

(12) **United States Design Patent**
McAlpine

(10) **Patent No.:** **US D580,530 S**

(45) **Date of Patent:** **** Nov. 11, 2008**

(54) **WASTE TRAP**

(75) Inventor: **James Kenneth McAlpine**, Glasgow
(GB)

(73) Assignee: **McAlpine & Company Limited**,
Glasgow (GB)

(**) Term: **14 Years**

(21) Appl. No.: **29/246,836**

(22) Filed: **May 15, 2006**

(51) **LOC (8) Cl.** **23-01**

(52) **U.S. Cl.** **D23/268**

(58) **Field of Classification Search** D23/213,
D23/249, 257, 259, 260-269; 239/428.5;
261/DIG. 22; D8/396; 285/1, 112, 179,
285/340, 367, 373, 404, 53, 915; 4/675-678;
403/291, 300; 411/5, 10; 137/801

See application file for complete search history.

(56) **References Cited**

U.S. PATENT DOCUMENTS

4,836,582 A * 6/1989 Krause 285/143.1

7,081,232 B1 * 7/2006 Dooley et al. 422/278
2004/0000337 A1 * 1/2004 Cooper 137/377
2006/0222351 A1 * 10/2006 Cezayirli et al. 392/490

* cited by examiner

Primary Examiner—Louis S Zarfaz

Assistant Examiner—Michael A Pratt

(74) *Attorney, Agent, or Firm*—Stephen M. Nipper; Dykas,
Shaver & Nipper, LLP

(57) **CLAIM**

The ornamental design for a waste trap, as shown and
described.

DESCRIPTION

FIG. 1 is a perspective representational view of the waste trap.

FIG. 2 is a front plan view of the waste trap.

FIG. 3 is a first side view of the waste trap.

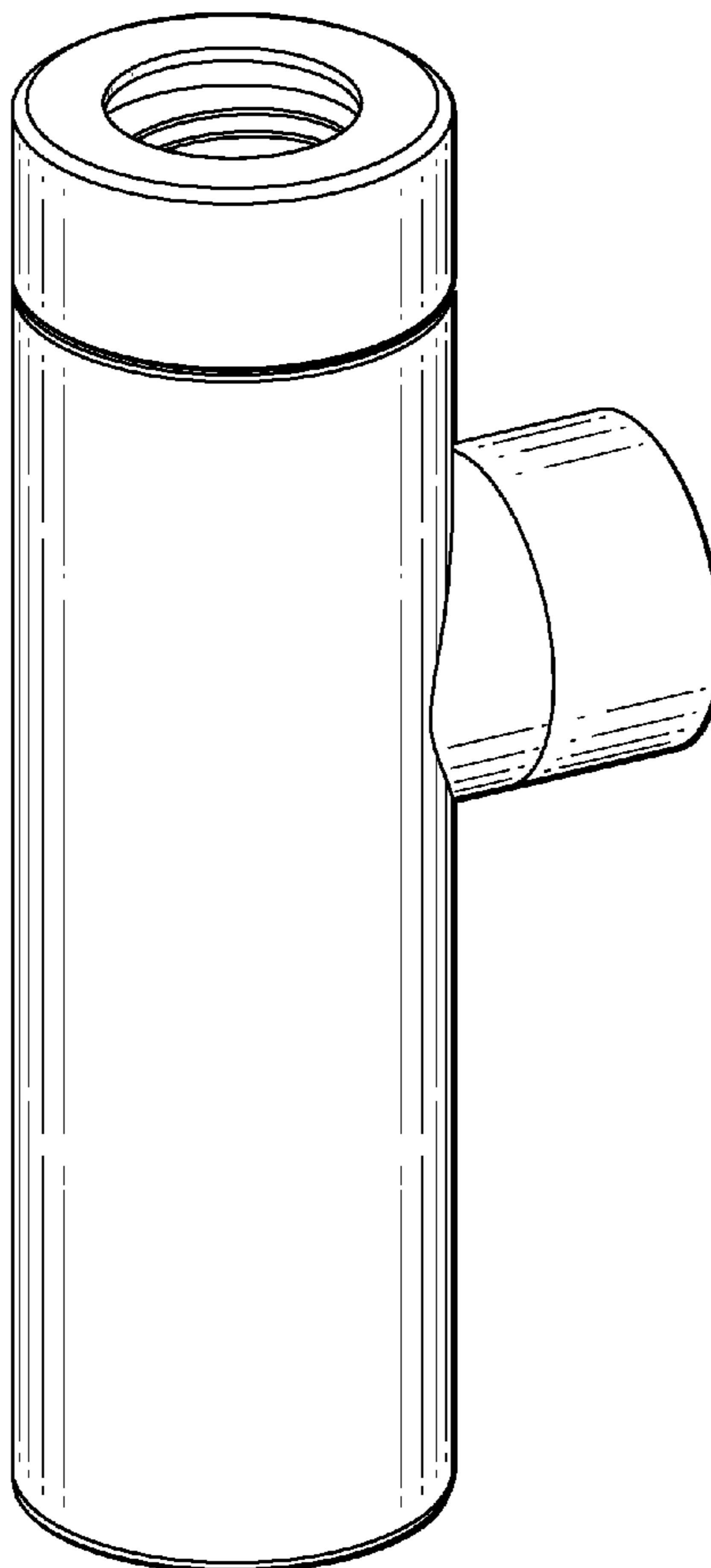
FIG. 4 is a back plan view of the waste trap.

FIG. 5 is a top plan view of the waste trap.

FIG. 6 is a second plan view of the waste trap; and,

FIG. 7 is a bottom plan view of the waste trap.

1 Claim, 6 Drawing Sheets



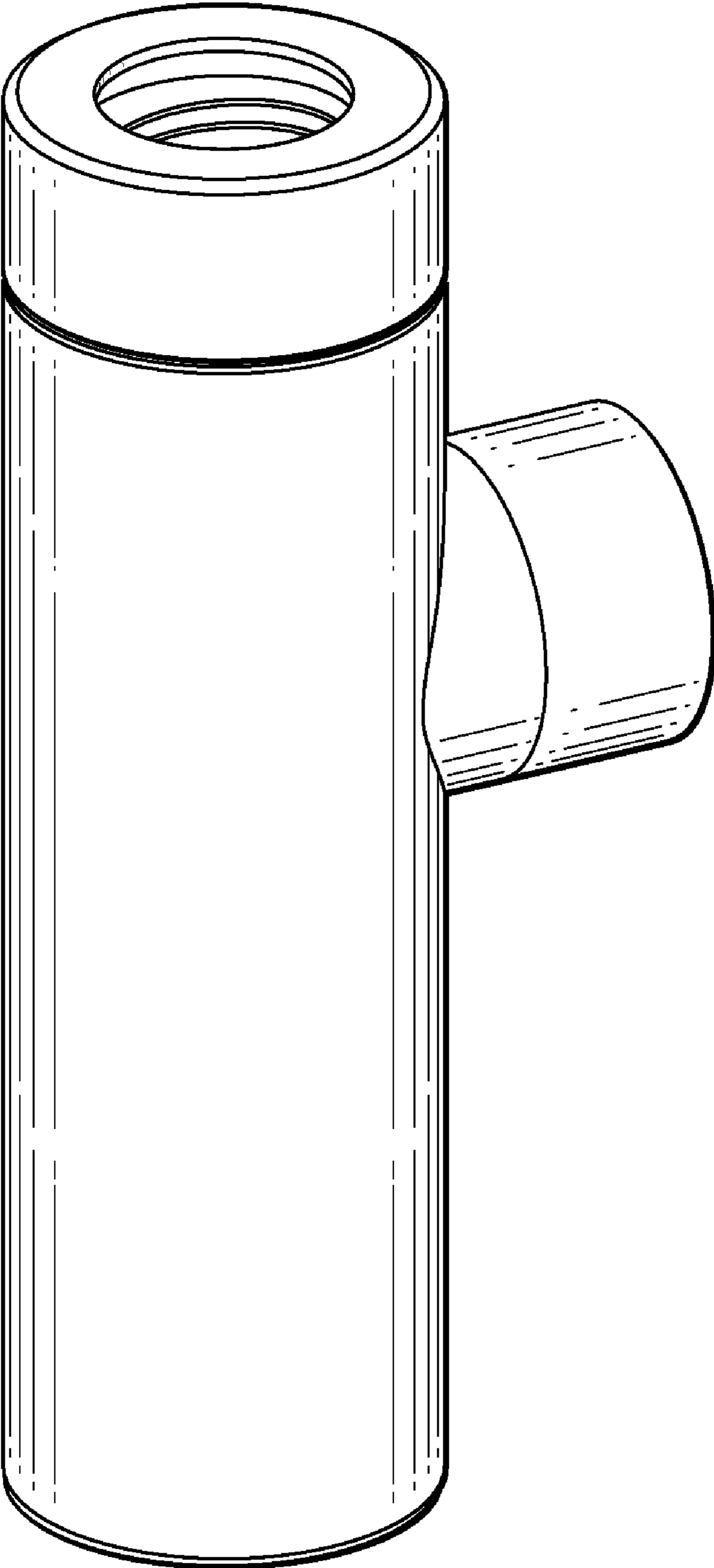


Fig. 1

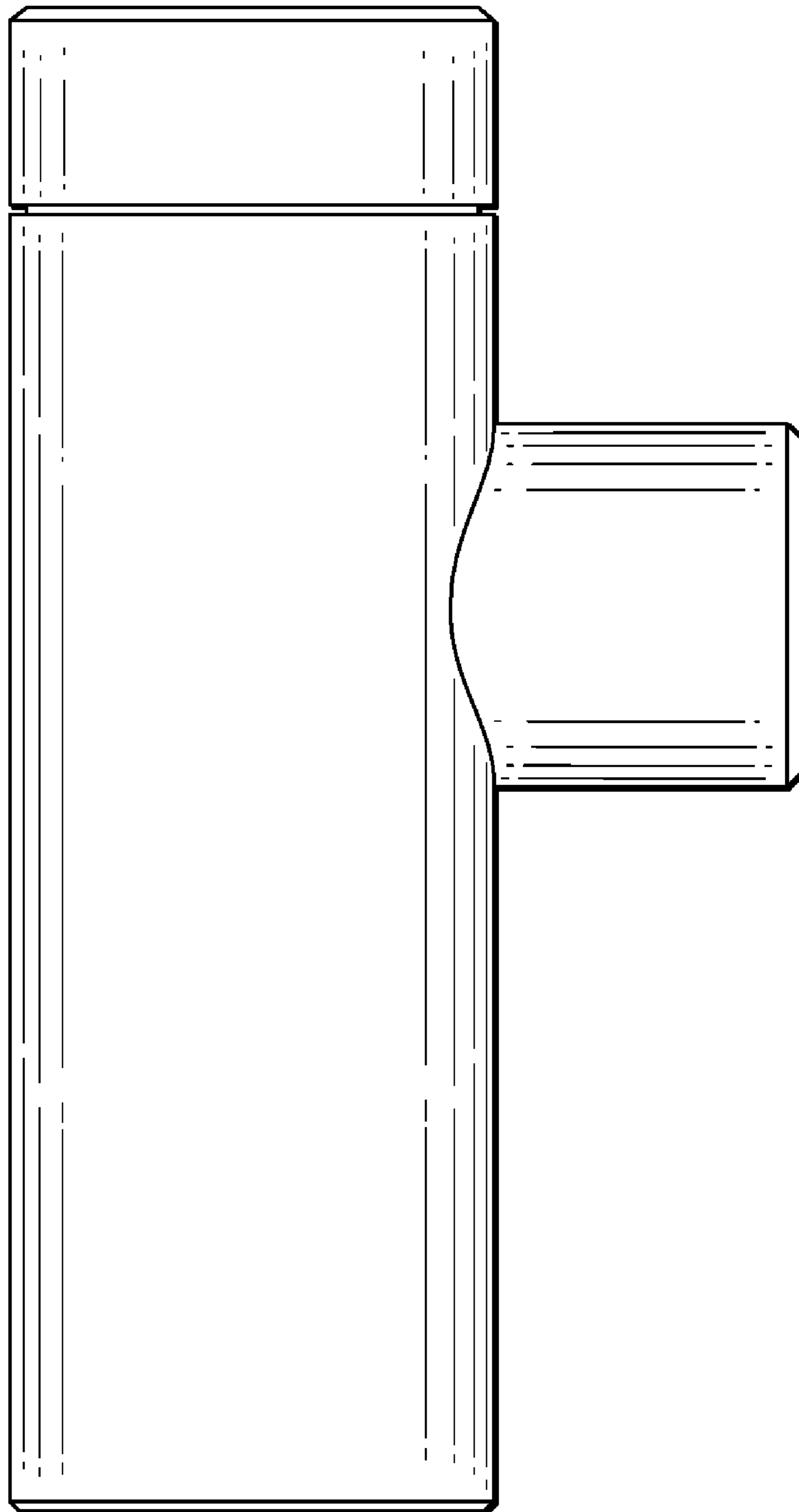


Fig. 2

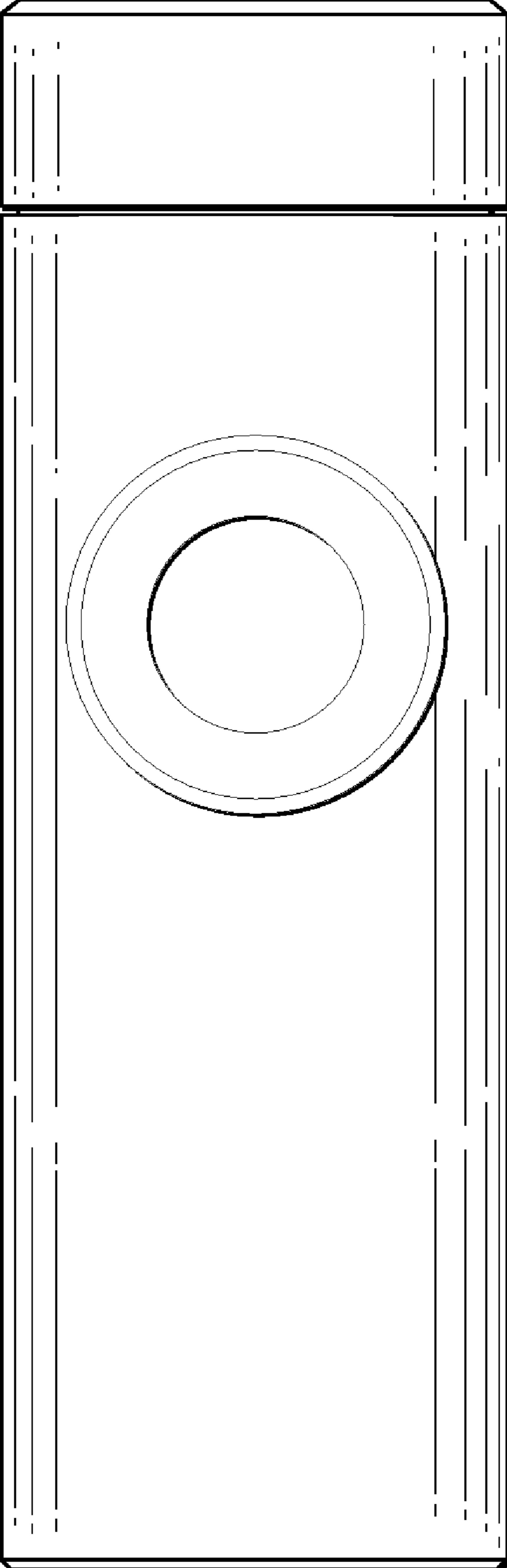


Fig. 3

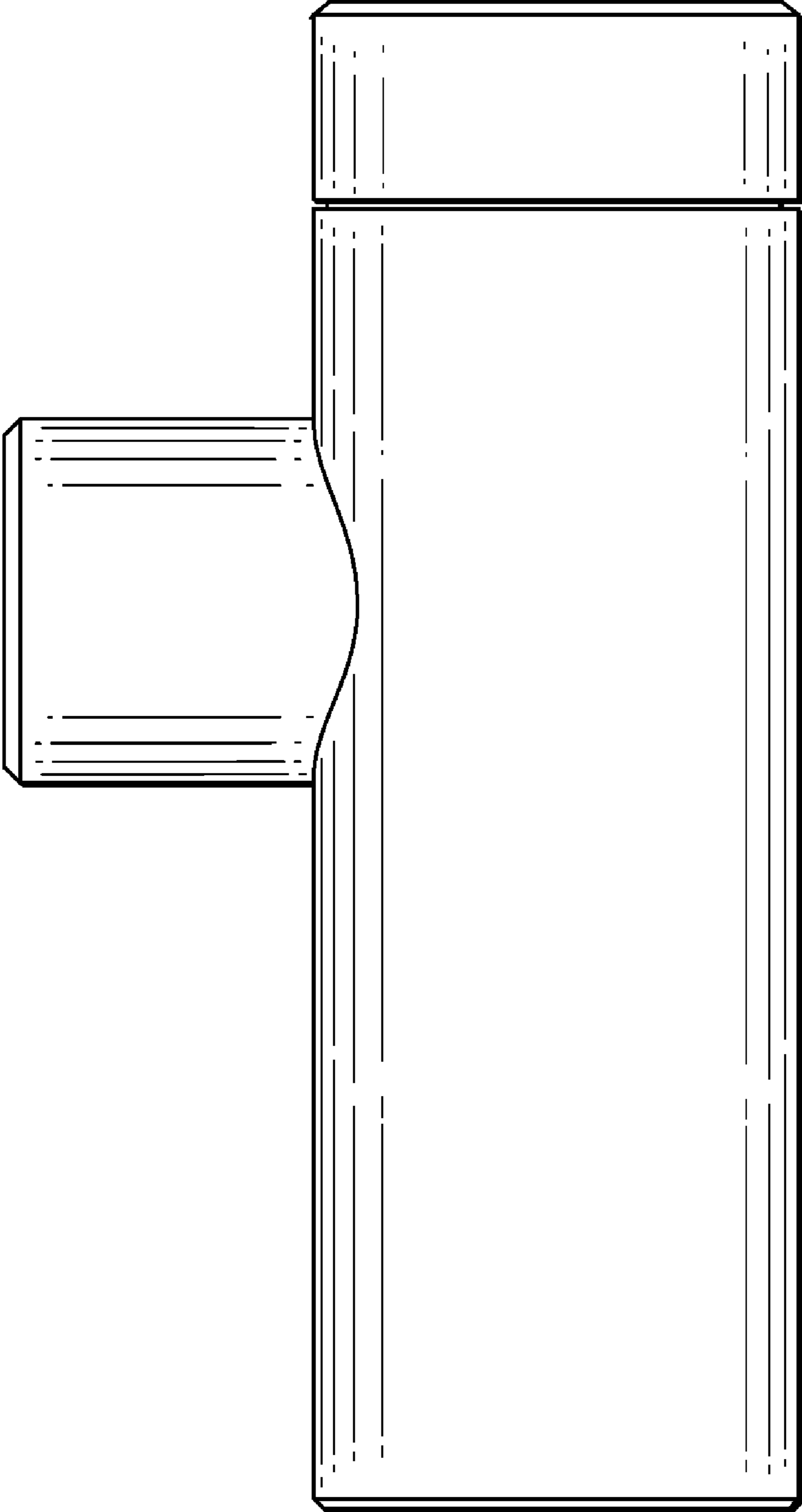


Fig. 4

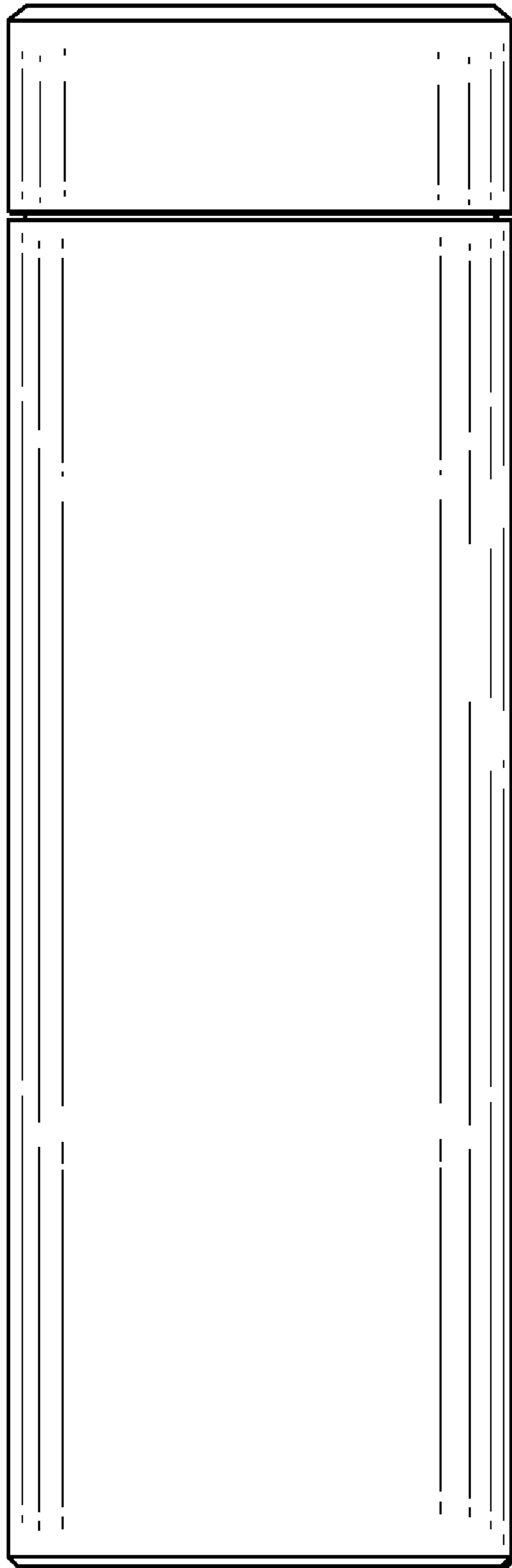


Fig. 5

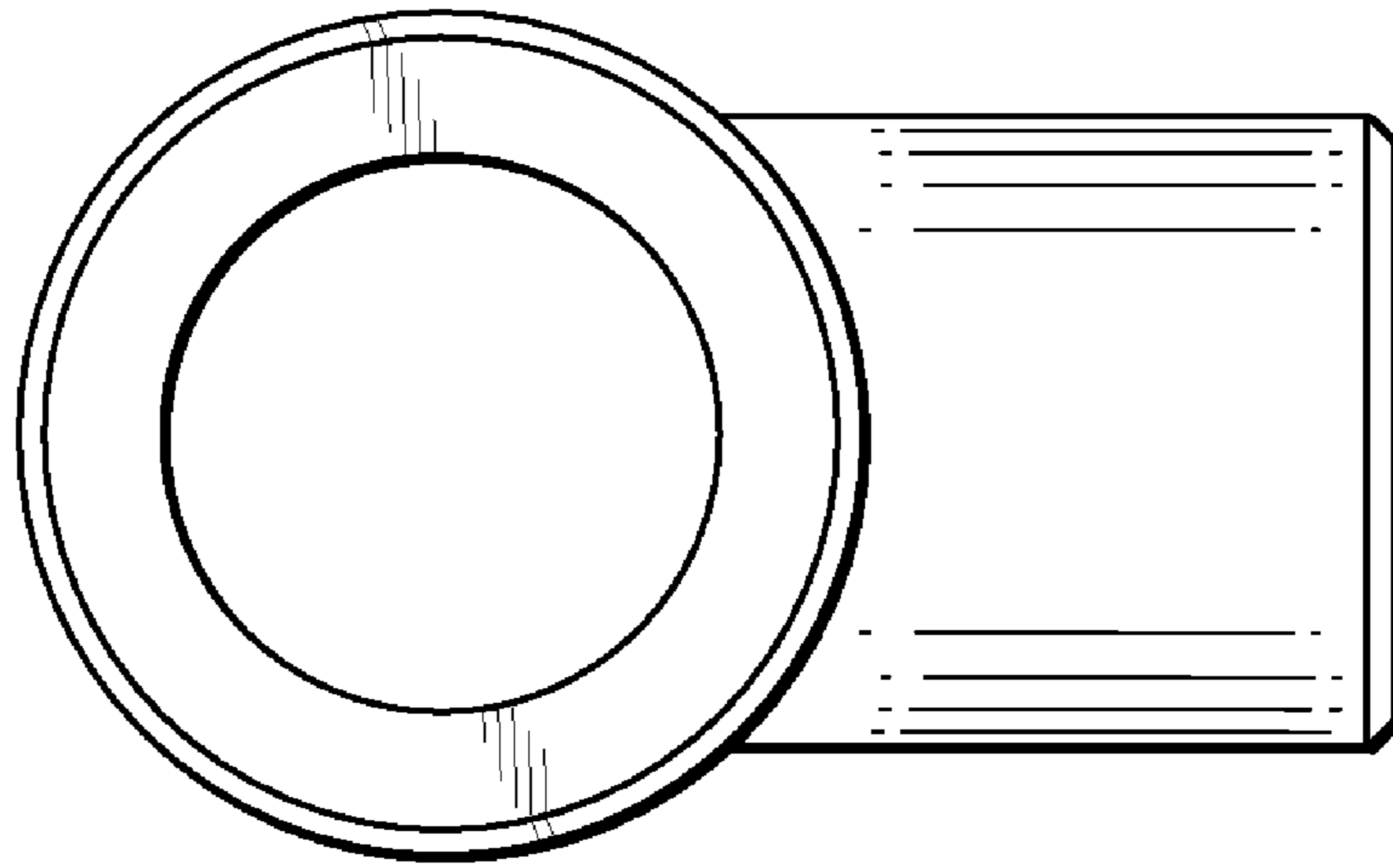


Fig. 6

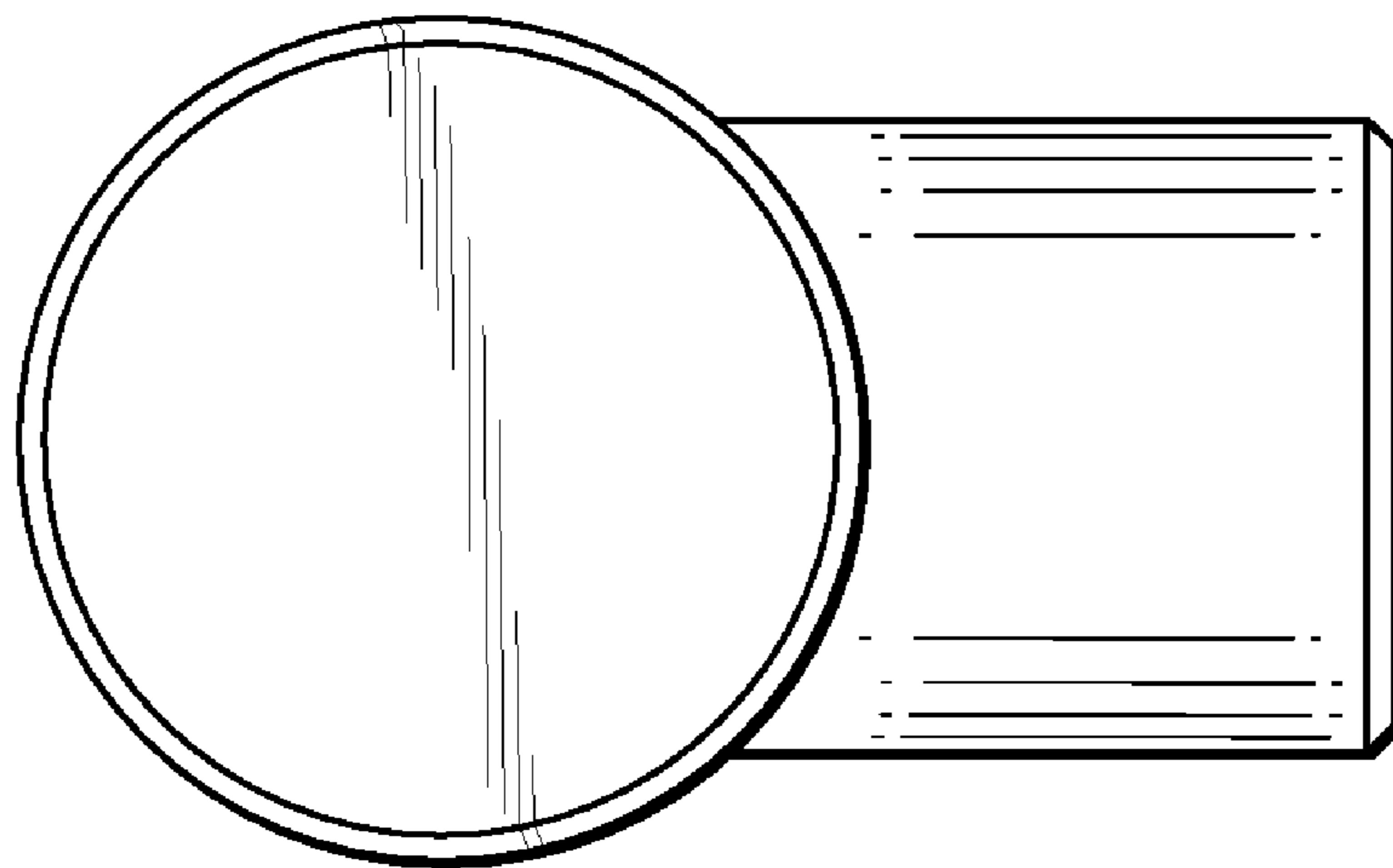


Fig. 7