



US00D580529S

(12) **United States Design Patent**
Spangler

(10) **Patent No.:** **US D580,529 S**

(45) **Date of Patent:** **** Nov. 11, 2008**

(54) **FAUCET SPOUT**

(75) Inventor: **Ashley Spangler**, Lawrenceville, NJ
(US)

(73) Assignee: **Masco Corporation of Indiana**,
Indianapolis, IN (US)

(**) Term: **14 Years**

(21) Appl. No.: **29/306,396**

(22) Filed: **Apr. 9, 2008**

(51) **LOC (8) Cl.** **23-01**

(52) **U.S. Cl.** **D23/255**

(58) **Field of Classification Search** D23/200,
D23/238-257; 4/675-678; 137/801
See application file for complete search history.

(56) **References Cited**

U.S. PATENT DOCUMENTS

- D464,714 S * 10/2002 Lord D23/255
- D521,609 S * 5/2006 Fritz D23/255
- D544,946 S * 6/2007 Lord et al. D23/238

7,334,599 B2 * 2/2008 Shieh 137/119.05

* cited by examiner

Primary Examiner—Robert A Delehanty

(74) *Attorney, Agent, or Firm*—Leon E. Redman; Lloyd D. Doigan

(57) **CLAIM**

The ornamental design for a faucet spout, as shown and described.

DESCRIPTION

FIG. 1 is a front perspective view of a faucet spout showing my new design;

FIG. 2 is a rear elevational view thereof;

FIG. 3 is a front elevational view thereof;

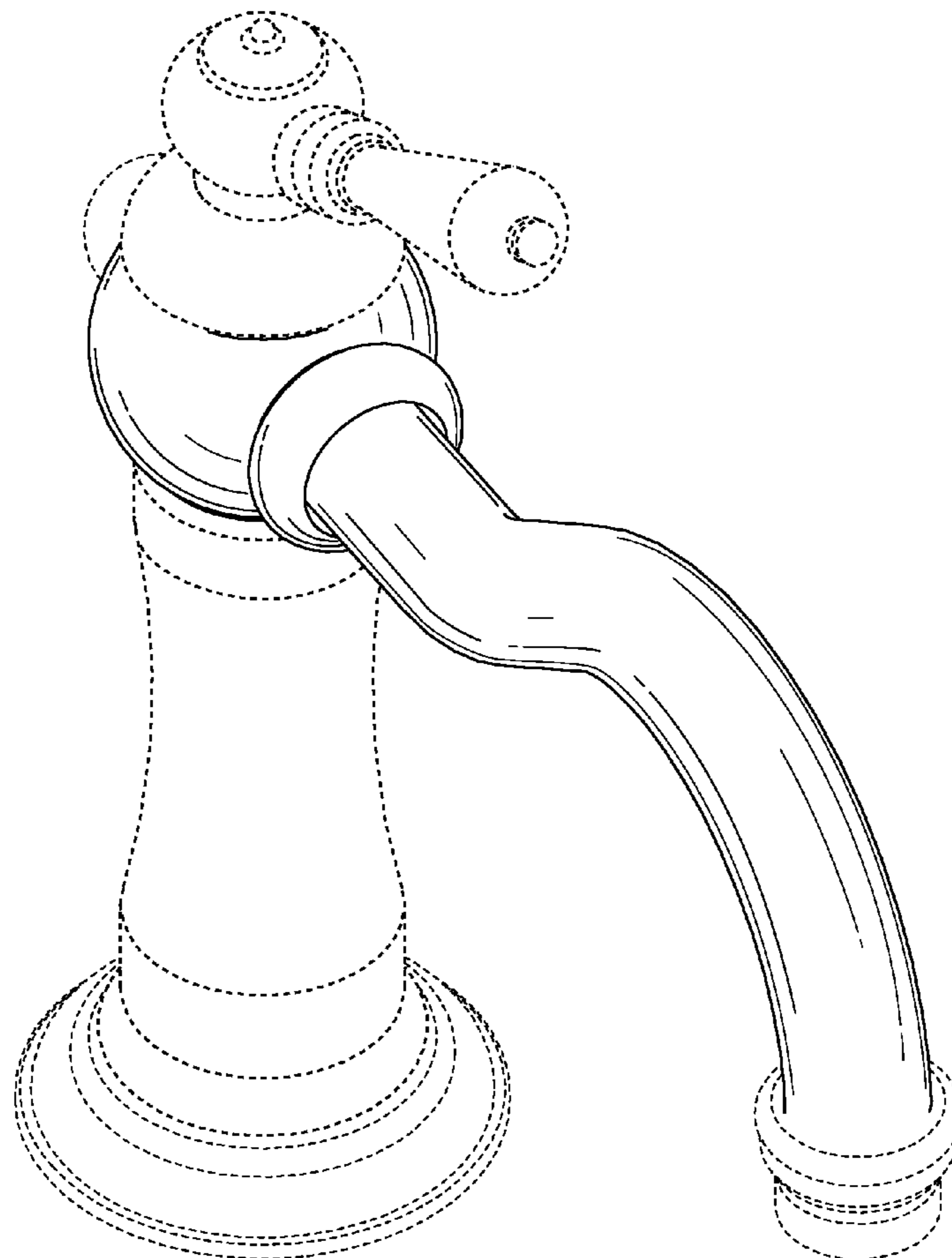
FIG. 4 is a top plan view thereof;

FIG. 5 is a right side elevational view thereof; and,

FIG. 6 is a left side elevational view thereof.

The broken lines in the Figures are for illustrative purposes only and form no part of the claimed design.

1 Claim, 5 Drawing Sheets



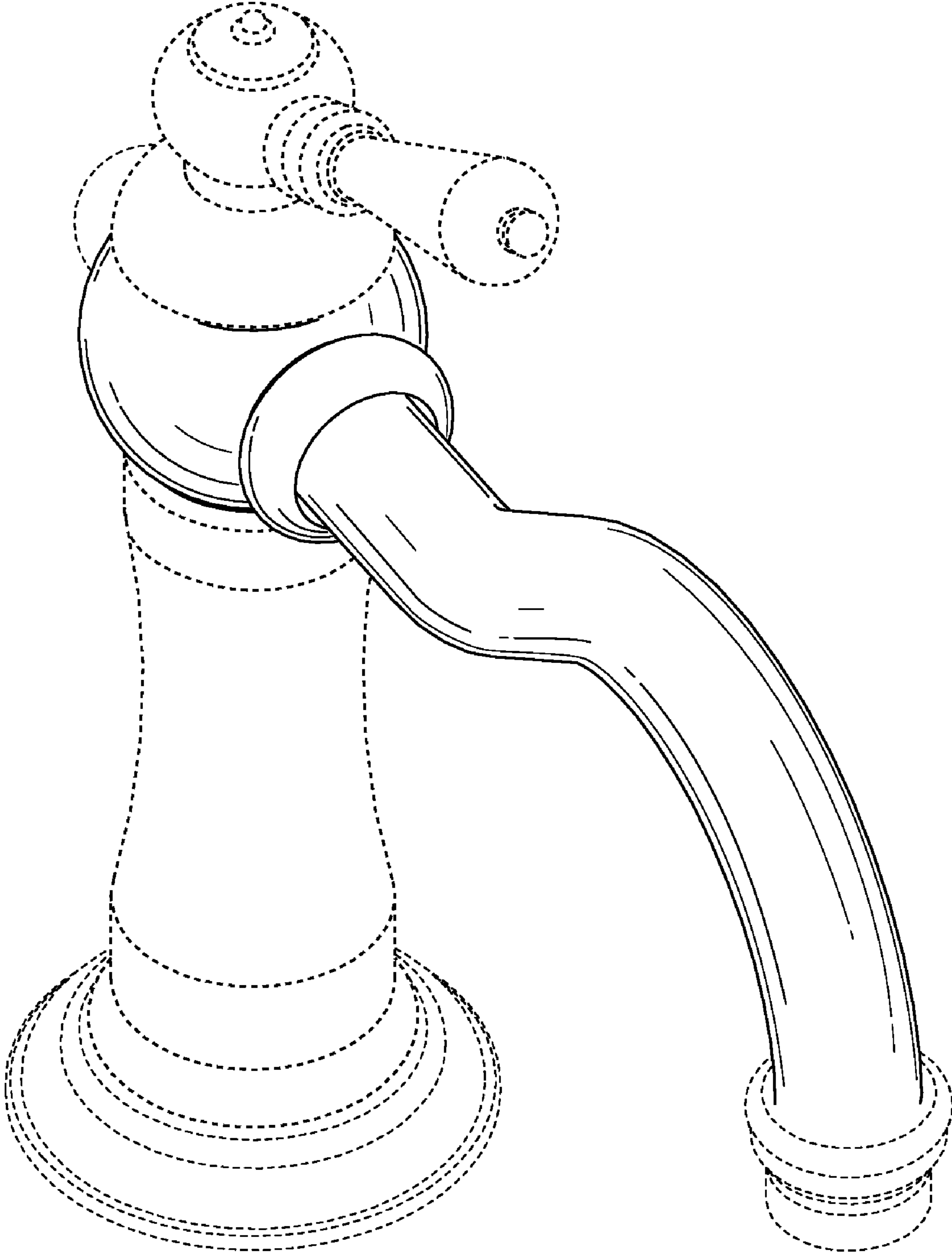


FIG. 1

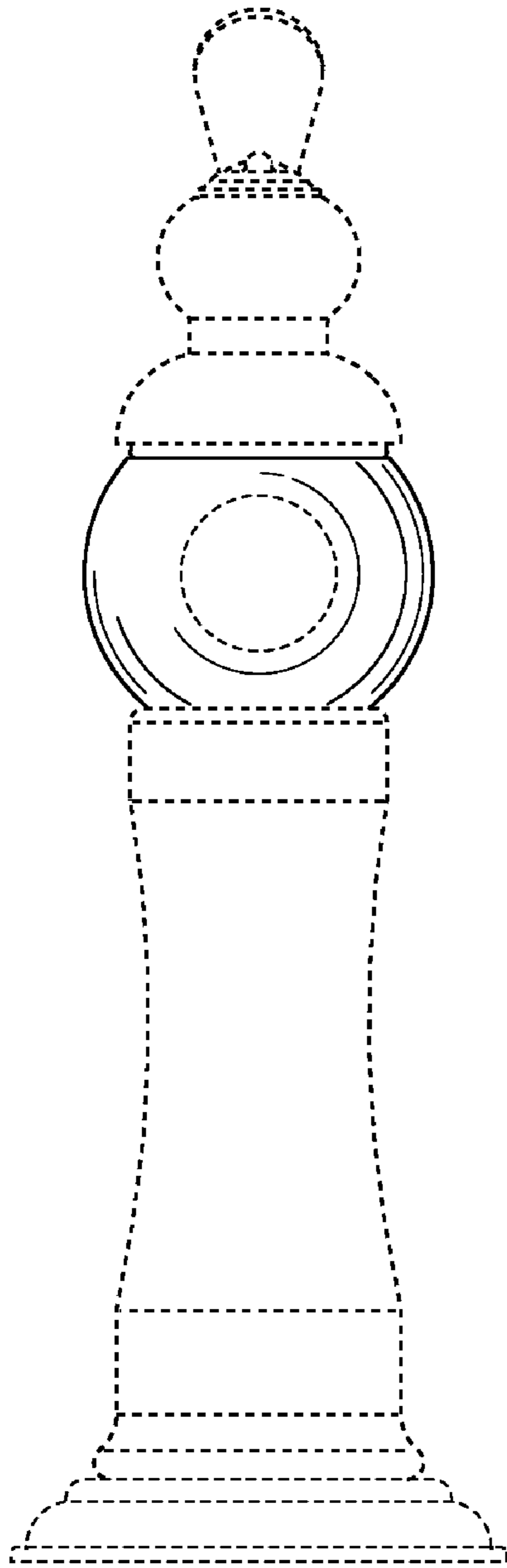


FIG. 2

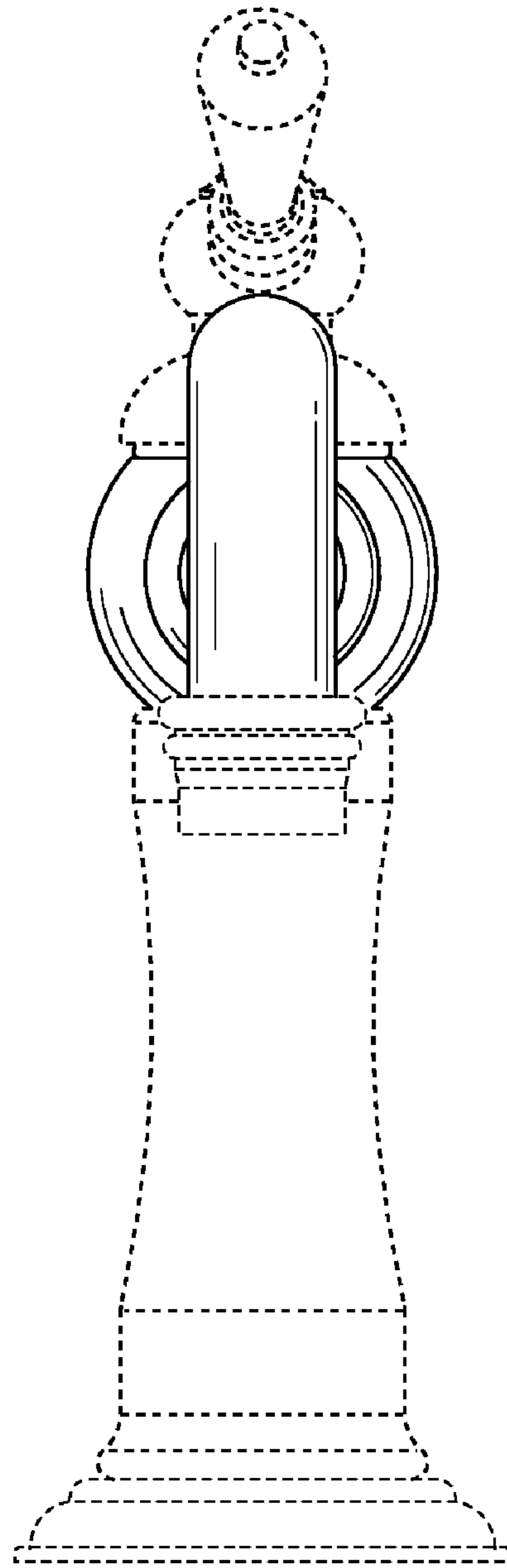


FIG. 3

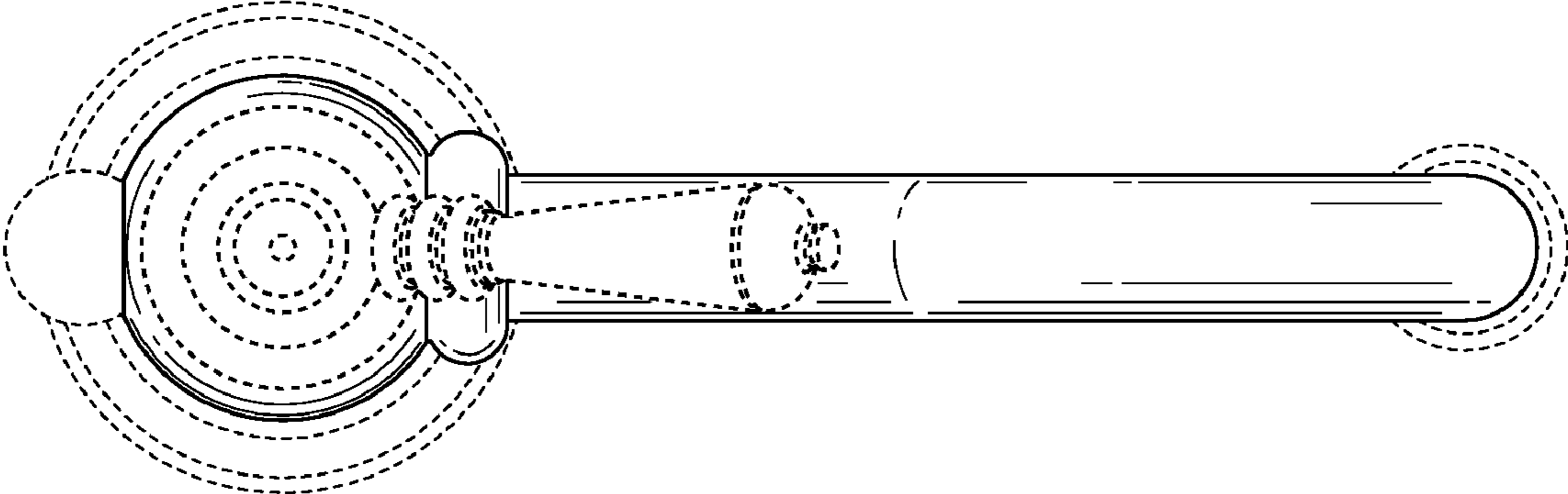


FIG. 4

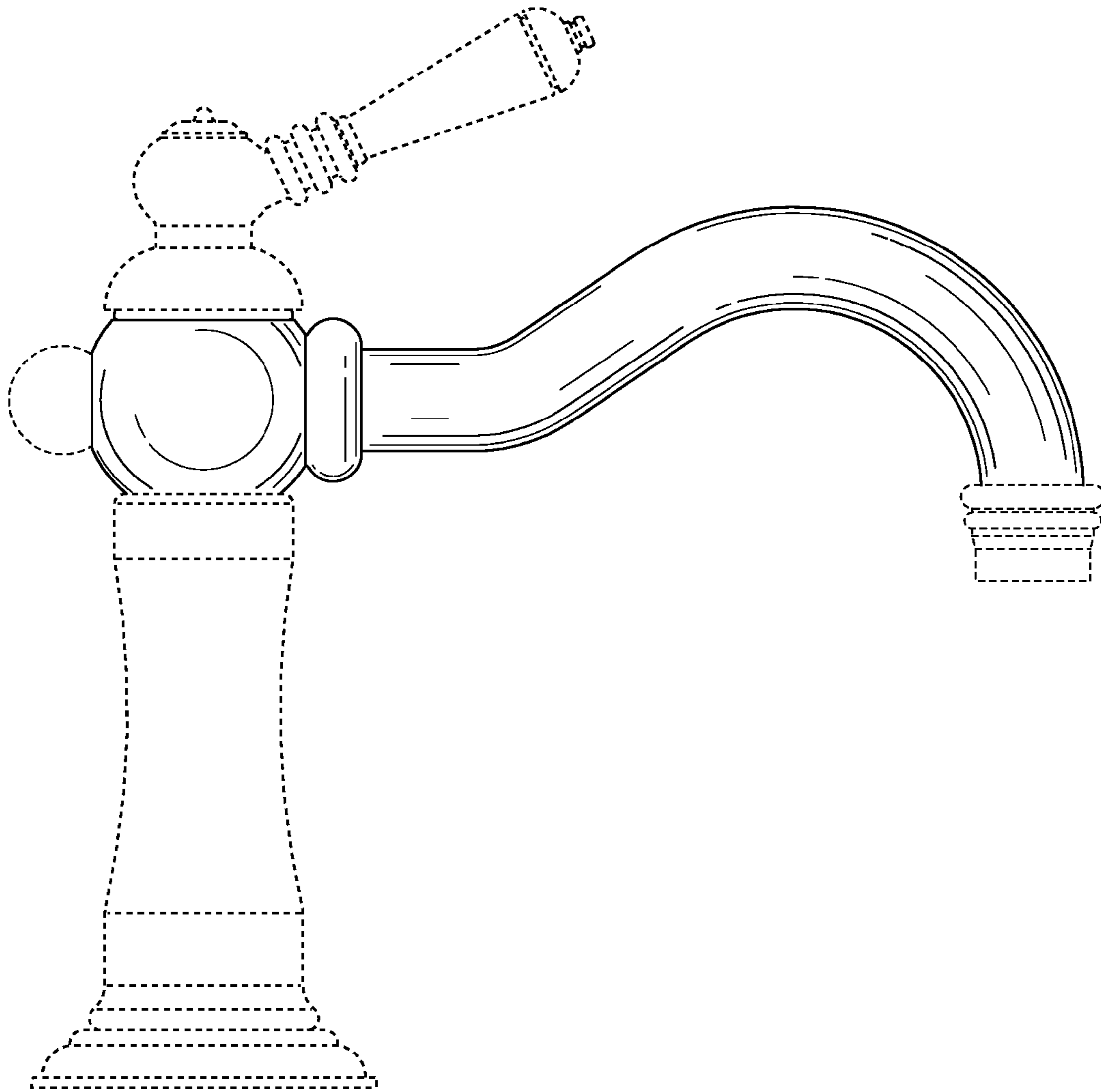


FIG. 5

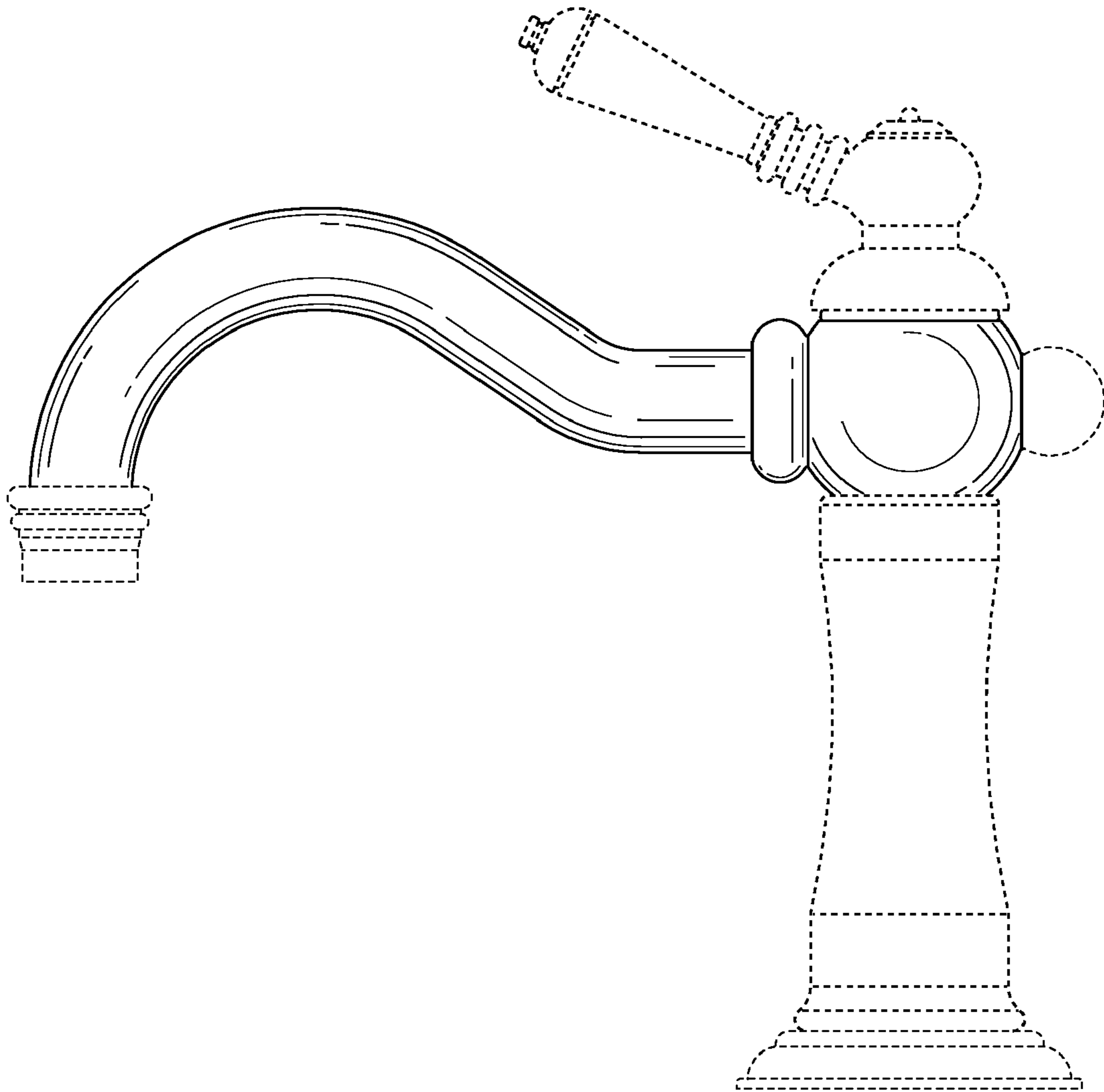


FIG. 6